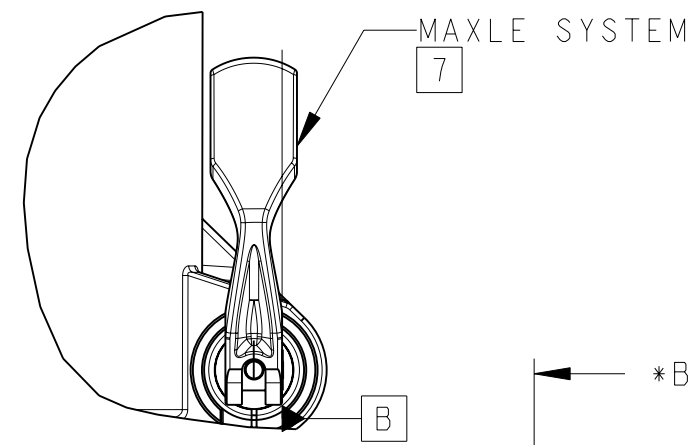
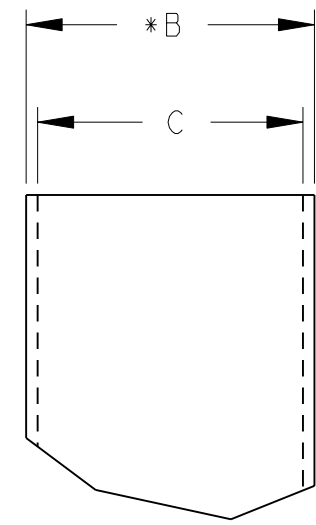


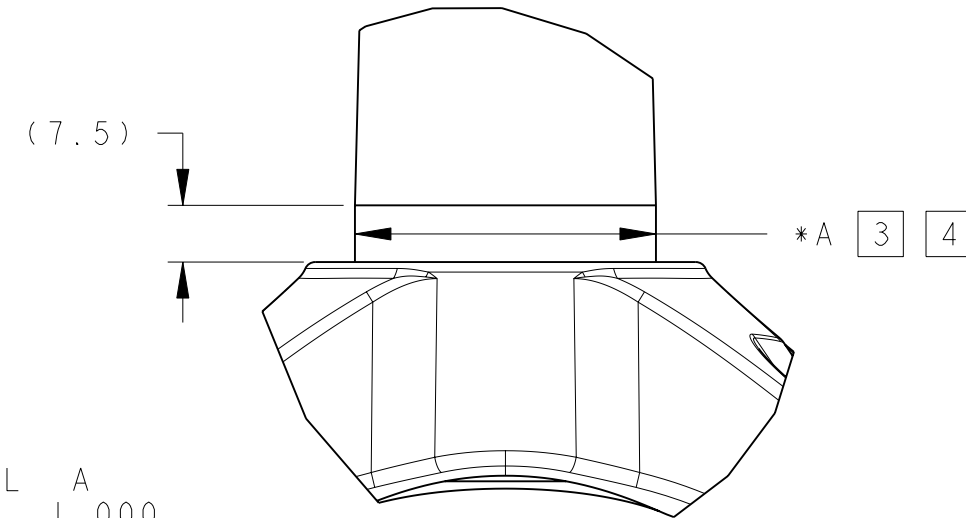
REV	DATE	CLASS	REVISION RECORD	DR	CK
A	10JAN06	M	ECN 17216 RELEASE FOR MY07	DG	CD
B	16JUN06	P	ECN 19423: ADD: COLUM "*D" TO DRAWING TABLE [G6], *D WAS *265+1/-2	CD	CM



DETAIL C
SCALE 0.600



DETAIL B
SCALE 1.000



DETAIL A
SCALE 1.000

STEER TUBE	*A 3 4	*B	C	*D
1-1/8 STEEL	30.040+0.050/-0.025	28.58±0.07	25.42±0.15	258 +1/-2
1-1/8 ALUM	30.040+0.050/-0.025	28.58±0.07	24.45±0.15	265 +1/-2
1.5 ALUM	39.820+0.050/-0.025	38.14±0.07	34.95±0.15	265 +1/-2

1-1/8 & 1.5 STEER TUBE
OPTIONS AVAILABLE

86.6 MAX
9 10

14 MIN
9 10

70 MAX 6

2X (20) 6

(2X M6X1-6H
▽14 MIN)

Ø698
6

*565±5
(TRAVEL=180)
*545±5
(TRAVEL=160MM)

2X (5.94)

MAXIMUM RECOMMENDED
BRAKE CALIPER BOLT
TORQUE=10.2 N·M (90 IN·LB)

(74.17)

(40)

2X (56)

6

Ø20
5

*110±2

NOTES (UNLESS OTHERWISE SPECIFIED):

- SRAM RESERVES THE RIGHT TO CHANGE SPECIFICATIONS WITHOUT PRIOR NOTICE.
- REFERENCE DIMENSIONS NOTED WITH "()" ARE FOR CUSTOMER DESIGN INFORMATION ONLY
- CROWN RACE Ø'S MEASURED AS AVERAGE OF 3 DIAMETRIC POINTS MINIMUM
- HEADSET CUP ID MUST BE GREATER THAN STEER TUBE OD + 0.3MM
- 110 X 20MM THUR AXLE HUB ONLY WITH Ø25MM MAX OUTER SHOULDER AND Ø20.05 MIN INNER DIAMETER BORE
- IMPORTANT: CUSTOMER IS RESPONSIBLE FOR ENSURING MINIMUM TIRE CLEARANCE. DO NOT EXCEED MAXIMUM TIRE ENVELOPE INDICATED ON THIS DRAWING.
- IMPORTANT: CUSTOMER IS RESPONSIBLE FOR ENSURING THAT ROCKSHOX MAXLE SYSTEM IS USED PER SRAM'S OPERATING INSTRUCTIONS (SEE USER MANUAL)
- POST TYPE BRAKE CALIPER MOUNT DIRECT FOR 160MM ROTOR DIA. MAX ROTOR DIA = 215MM.
- FORK / FRAME CLEARANCE (WORST CASE)
- 3D FILES: US-4012-209-000.IGS, US-4012-209-000.STP AVAILABLE UPON REQUEST FOR EXACT FORK ENVELOPE

SRAM
SRAM Corporation
Global Headquarters
1333 North Kingsbury
Chicago, IL 60622
USA 312-664-8800
REV B

GEOMETRIC DIMENSIONING AND TOLERANCING TO BE INTERPRETED PER ANSI Y14.5M 1994
INDICATES THE DIMENSION IS CRITICAL TO THE FORM, FIT OR FUNCTION OF THE PART OR PRODUCT.

ALL DIMENSIONS ARE mm
THIRD ANGLE PROJECTION

UNTOLERANCED LENGTH DIMENSIONS (mm)	TOLERANCE
from 0.5 up to 6	±0.1
over 6 up to 30	±0.2
over 30 up to 120	±0.3
over 120 up to 400	±0.5

DO NOT SCALE DRAWING
DRAWN BY D GILBERT
APPROVAL C DEWITT

CONFIDENTIAL - THIS DRAWING CONTAINS INFORMATION THAT IS PROPRIETARY TO SRAM CORPORATION AND MAY NOT BE DISCLOSED WITHOUT PERMISSION.

TITLE	SCALE	DATE	DRAWING NUMBER	REV
ROCKSHOX USER SPECIFICATION, MY07 DOWN	A2	10JAN06	US-4012-209-000	B