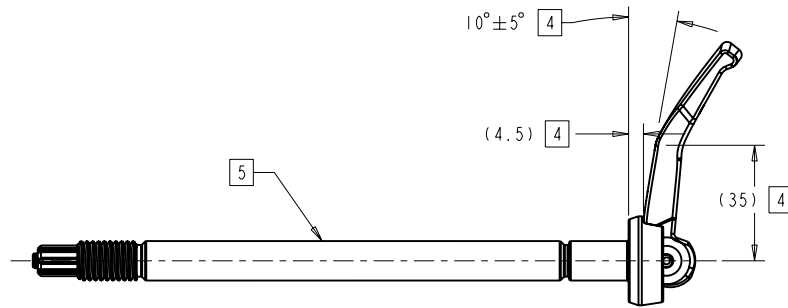
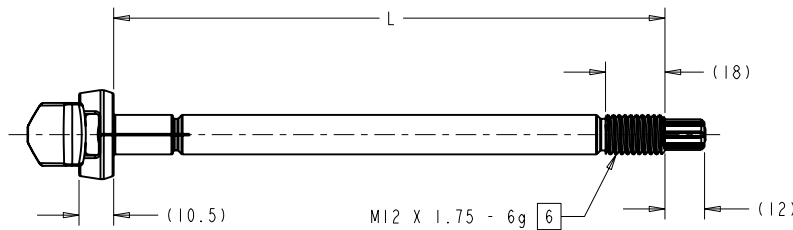
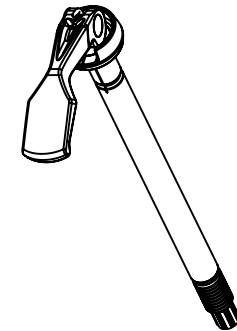
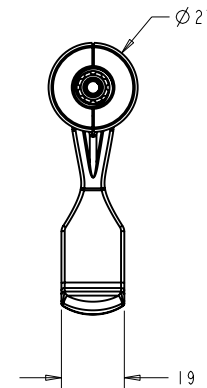
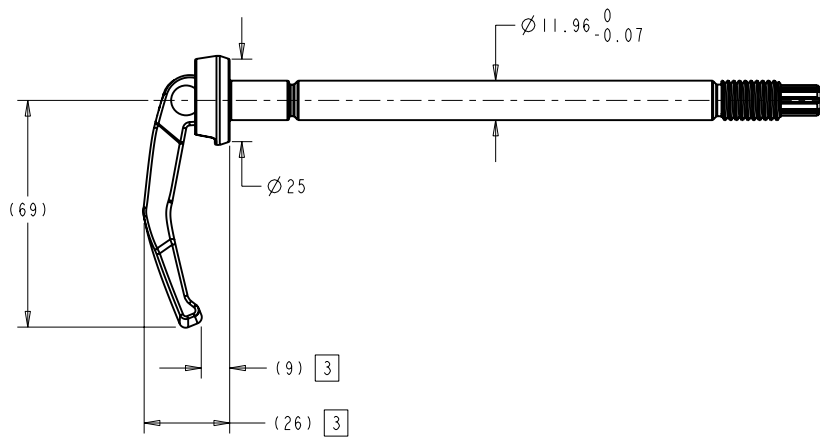


REV	DATE	CLASS	REVISION RECORD	DR	CK
A	07JAN05	M	ECN 13707 RELEASE FOR MY 06	DG	CM
B	16FEB05	D	ECN 13985 CHANGE: NOTE 5 MATERIAL 7075 WAS 6061-T6, M12 X 1.75 - 6g WAS M12 X 1.75 - 6h	DG	MAN



DESCRIPTION	L (MM)
REAR MAXLE, 135 X 12MM	167
REAR MAXLE, 150 X 12MM	182



NOTES (UNLESS OTHERWISE SPECIFIED):

- DRAWING NOT TO SCALE. GENERAL SHAPE FOR DIMENSIONAL REFERENCE ONLY. SRAM RESERVES THE RIGHT TO CHANGE SPECIFICATIONS WITHOUT PRIOR NOTICE.
- REFERENCE DIMENSIONS, NOTED WITH PARENTHESIS "()" ARE FOR CUSTOMER DESIGN INFORMATION ONLY.
- LEVER IN CLOSED POSITION
- LEVER IN OPEN POSITION
- AXLE BODY MATERIAL: ALUMINUM 7075
- FINISH: HARD ANODIZE PER MIL-A-8625, TYPE III, CLASS 2, BLACK
- THREAD FORM PER ANSI B1.13M - 1983 (LATEST REV)
- CUSTOMER IS RESPONSIBLE FOR ENSURING HUB, FRAME AND AXLE COMPATIBILITY.
- REFERENCE ES4-310498-000: SPECIFICATION, FRAME DESIGN, REAR MAXLE

SRAM Corporation Global Headquarters 1333 North Kingsbury Chicago, IL 60622 USA 312-664-8800 SRC REV B	GEOMETRIC DIMENSIONING AND TOLERANCING TO BE INTERPRETED PER ANSI Y14.5M 1994 DO NOT SCALE DRAWING UNDEFINED XX ±0.5 TOLERANCE XX.X ±0.1 ANGLES	ALL DIMENSIONS ARE mm THIRDS ANGLE PROJECTION	TOOL FINISH	MATERIAL: N/A	TITLE: USER SPECIFICATION, REAR MAXLE	
					CONFIDENTIAL - THIS DRAWING CONTAINS INFORMATION THAT IS PROPRIETARY TO SRAM CORPORATION AND MAY NOT BE DISCLOSED WITHOUT PERMISSION.	DRAWN BY: D GILBERT APPROVAL: C. MICKELSON