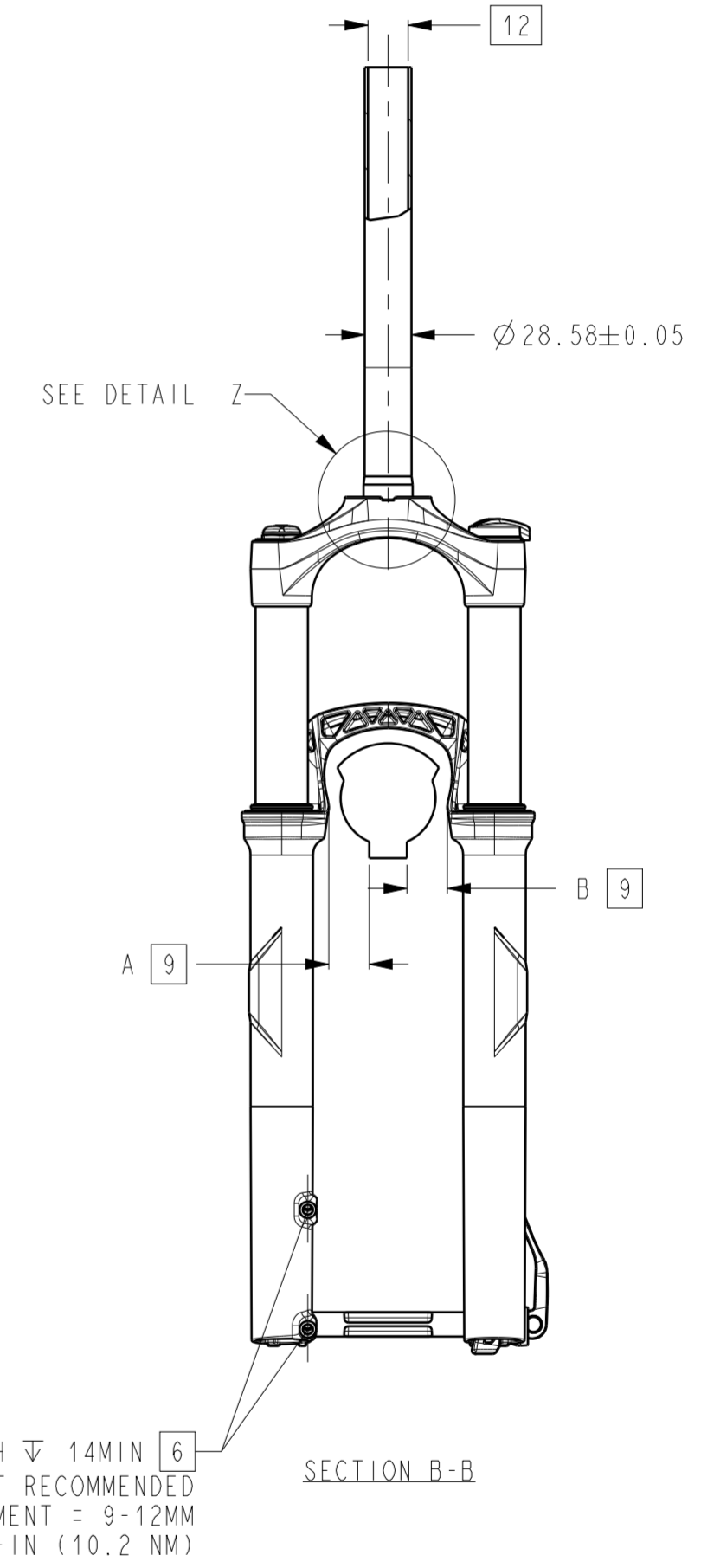
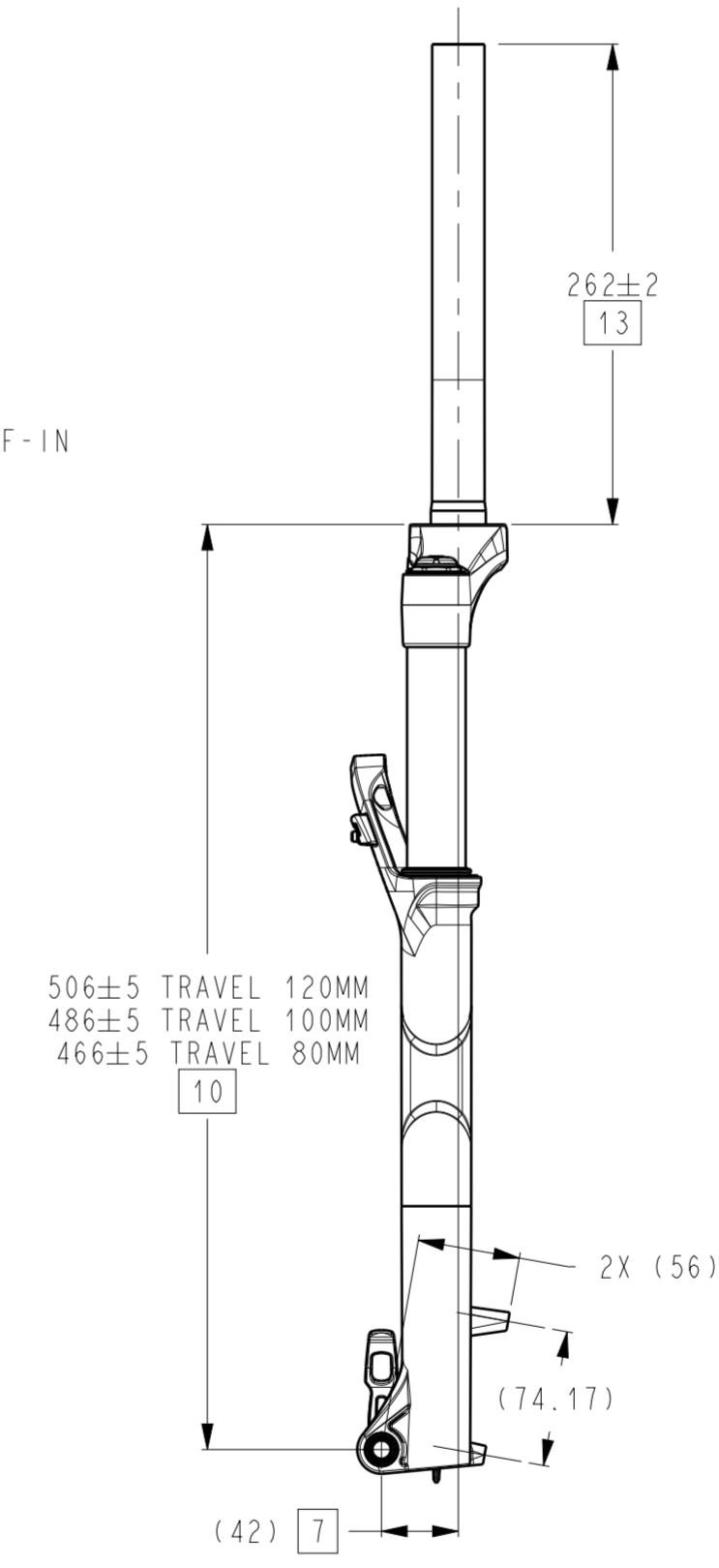
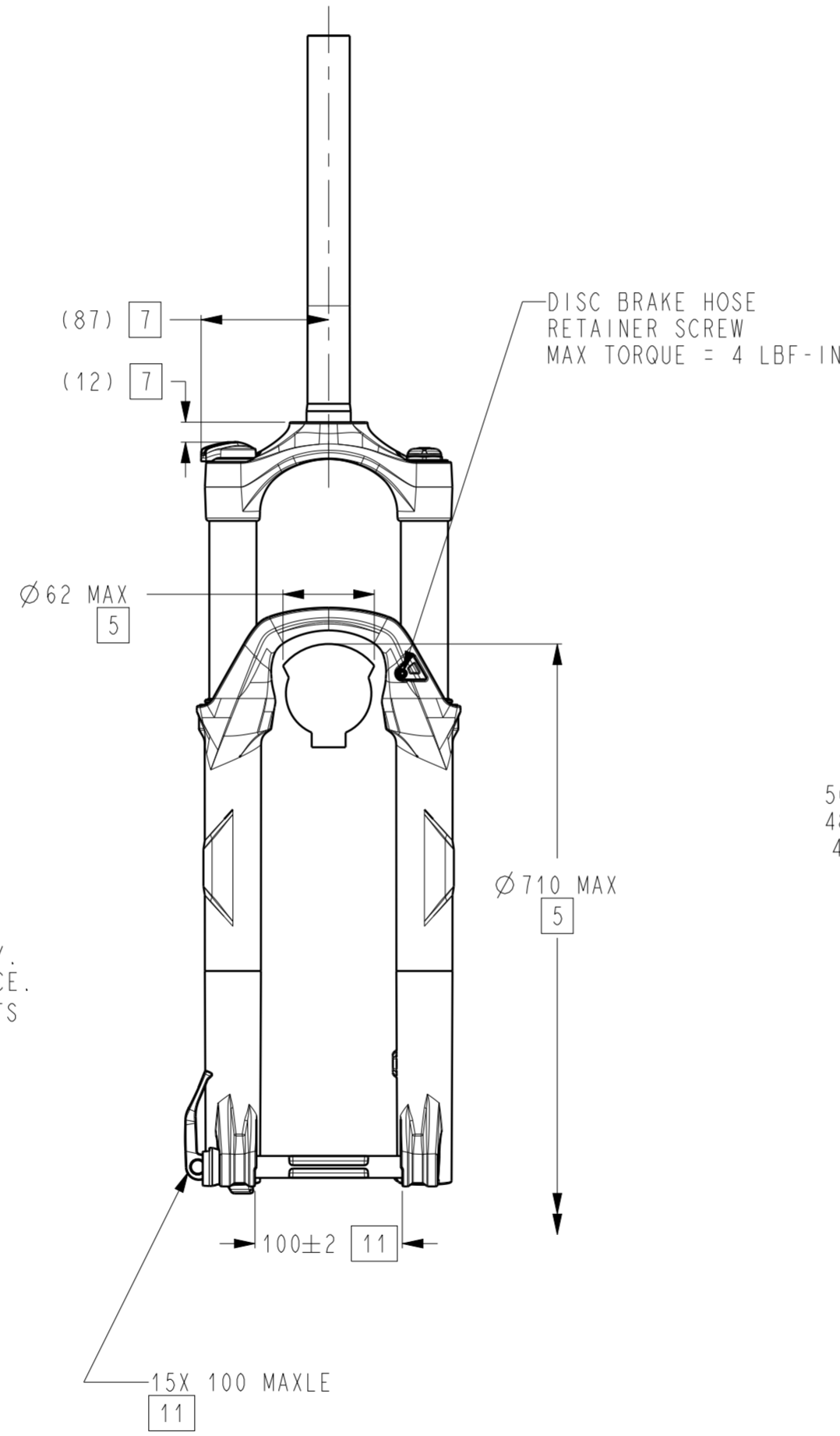
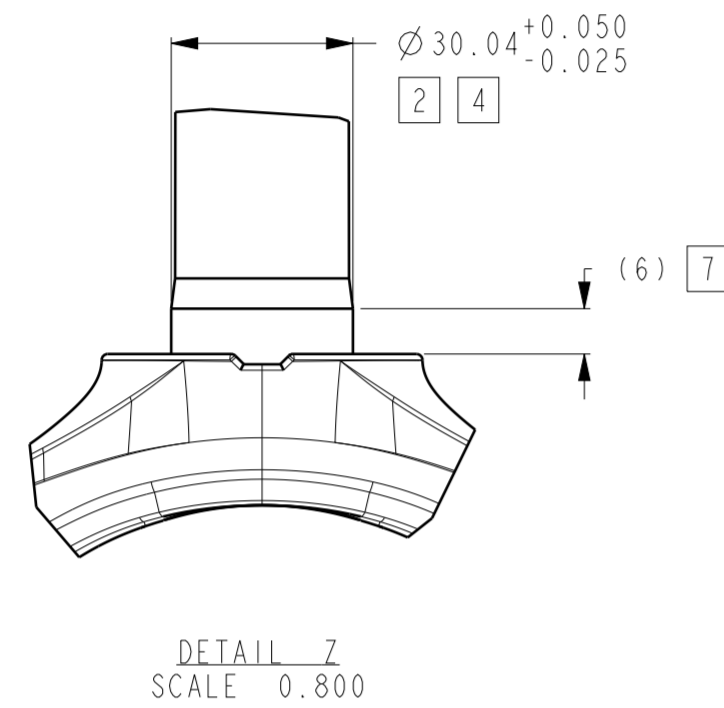
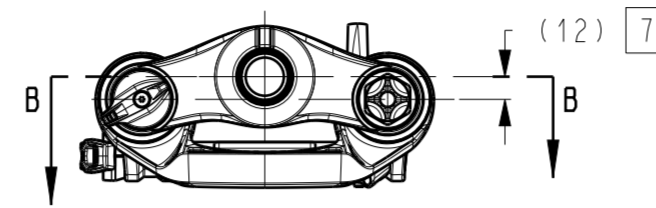


REV	RESP ENG	RELEASE	REVISION RECORD	
A	WHO			



NOTES: (UNLESS OTHERWISE SPECIFIED)

1. DRAWING NOT TO SCALE, GENERAL PROFILE FOR DIMENSIONAL REFERENCE ONLY. SRAM RESERVES THE RIGHT TO CHANGE SPECIFICATIONS WITHOUT PRIOR NOTICE.
- (2) STEERER OD AT CROWN RACE MEASURED AS AVERAGE \varnothing OF 3 DIAMETRIC POINTS MINIMUM.
3. REFERENCE DIMENSIONS NOTED AS "()" ARE FOR CUSTOMER DESIGN INFORMATION ONLY.
- (4) HEADSET CUP I.D. MUST BE GREATER THAN STEER TUBE O.D. +0.3MM.
- (5) IMPORTANT: CUSTOMER IS RESPONSIBLE FOR ENSURING MINIMUM TIRE CLEARANCE. DO NOT EXCEED MAXIMUM TIRE ENVELOPE INDICATED ON THIS DRAWING.
- (6) POST TYPE BRAKE CALIPER MOUNT, DIRECT FOR 160MM ROTOR DIA., MAX. ROTOR DIA. = 203MM.
- (7) FORK / FRAME CLEARANCE. WORST CASE KNOB CONFIGURATION AND POSITION SHOWN.
8. 3D REPRESENTATION FILES (*.IGES AND *.STP) AVAILABLE UPON REQUEST.
- (9) WHEEL CENTER TOLERANCE; |A-B| <2MM, DISHED WHEEL OR GAUGE MUST BE CLAMPED IN DROPOUTS.
- (10) DISTANCE BETWEEN CROWN RACE TO AXLE MAY VARY WITH SPRING RATE. THE DISTANCE SHOWN BASED ON MEDIUM SPRING, MIN. PRELOAD.
- (11) IMPORTANT: CUSTOMER IS RESPONSIBLE FOR ENSURING THE ROCKSHOX MAXLE SYSTEM IS USED PER SRAM'S OPERATION INSTRUCTIONS.
- (12) AL STEERER = $\varnothing 24.6^{+0/-0.3}$, STEEL STEERER = $\varnothing 25.4 \pm 0.15$.
- (13) 317±2 MM STEEL XL STEERER TUBE OPTION FOR COIL SPRING MODEL AND AL XL STEERER TUBE OPTION FOR AIR SPRING MODEL ARE AVAILABLE PER REQUEST.

ALL DIMENSIONS ARE mm		GEOMETRIC DIMENSIONING AND TOLERANCING TO BE INTERPRETED PER ASME Y14.5-2009
THIRD ANGLE PROJECTION		□ OR $\langle \text{KC} \rangle$ INDICATES QUALITY IS SENSITIVE TO VARIATION FROM TARGET
MASS (g)	N/A	UNTOLERANCED LENGTH DIMENSIONS (mm)
MATERIAL	N/A	LENGTH DIMENSIONS TOLERANCE
		from 0.5 up to 6 ± 0.1
		over 6 up to 30 ± 0.2
		over 30 up to 120 ± 0.3
		over 120 up to 400 ± 0.5
		UNTOLERANCED ANGLE DIMENSIONS ± 2°

FORMAT: A2	SCALE: 0.25	SHEET: 1 / 1
LIFECYCLE STATUS		SRAM CONFIDENTIAL - THIS DRAWING CONTAINS INFORMATION THAT IS PROPRIETARY TO SRAM CORPORATION AND MAY NOT BE DISCLOSED WITHOUT PERMISSION.
In Work		
DRAWING NAME / DESCRIPTION		
USER SPEC. RECON 27 15 1.125		
DRAWING NUMBER		VERSION
98-4015-108-000		A.1