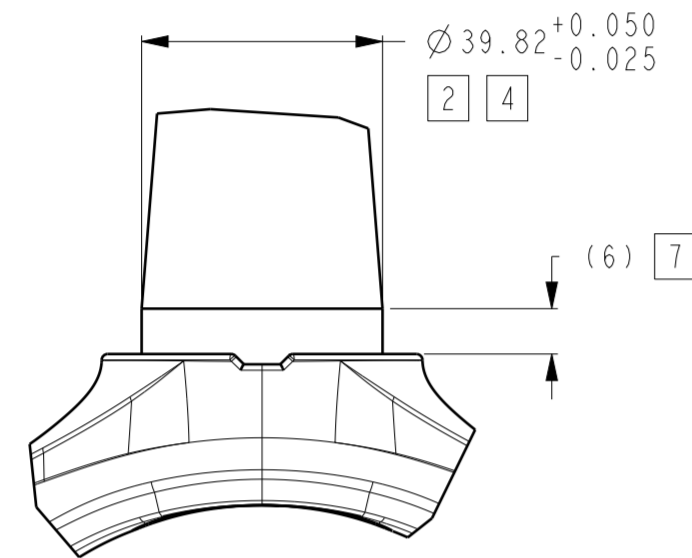
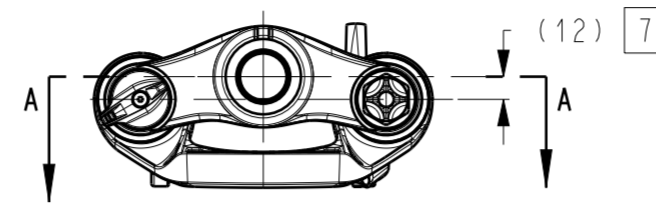
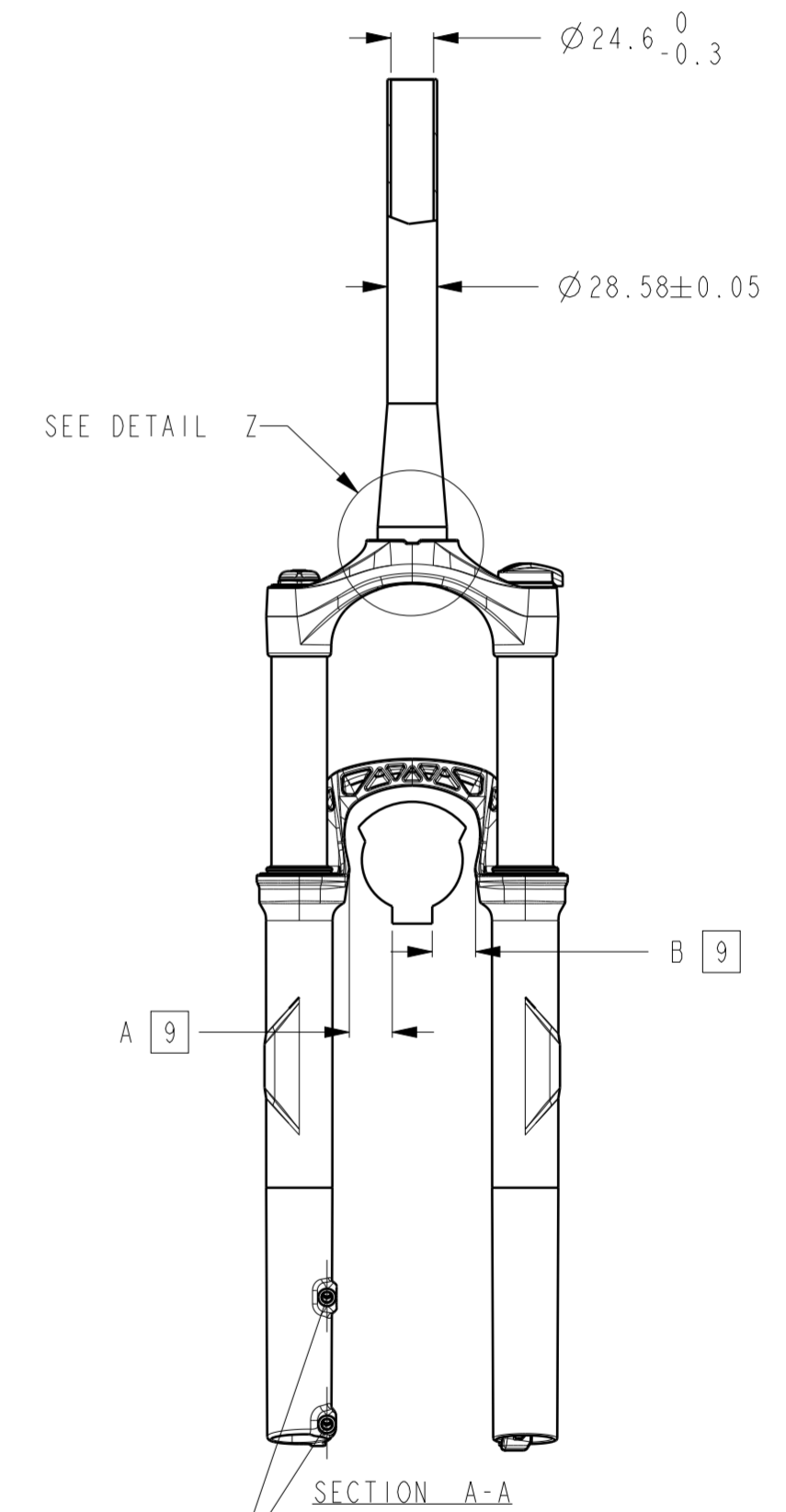
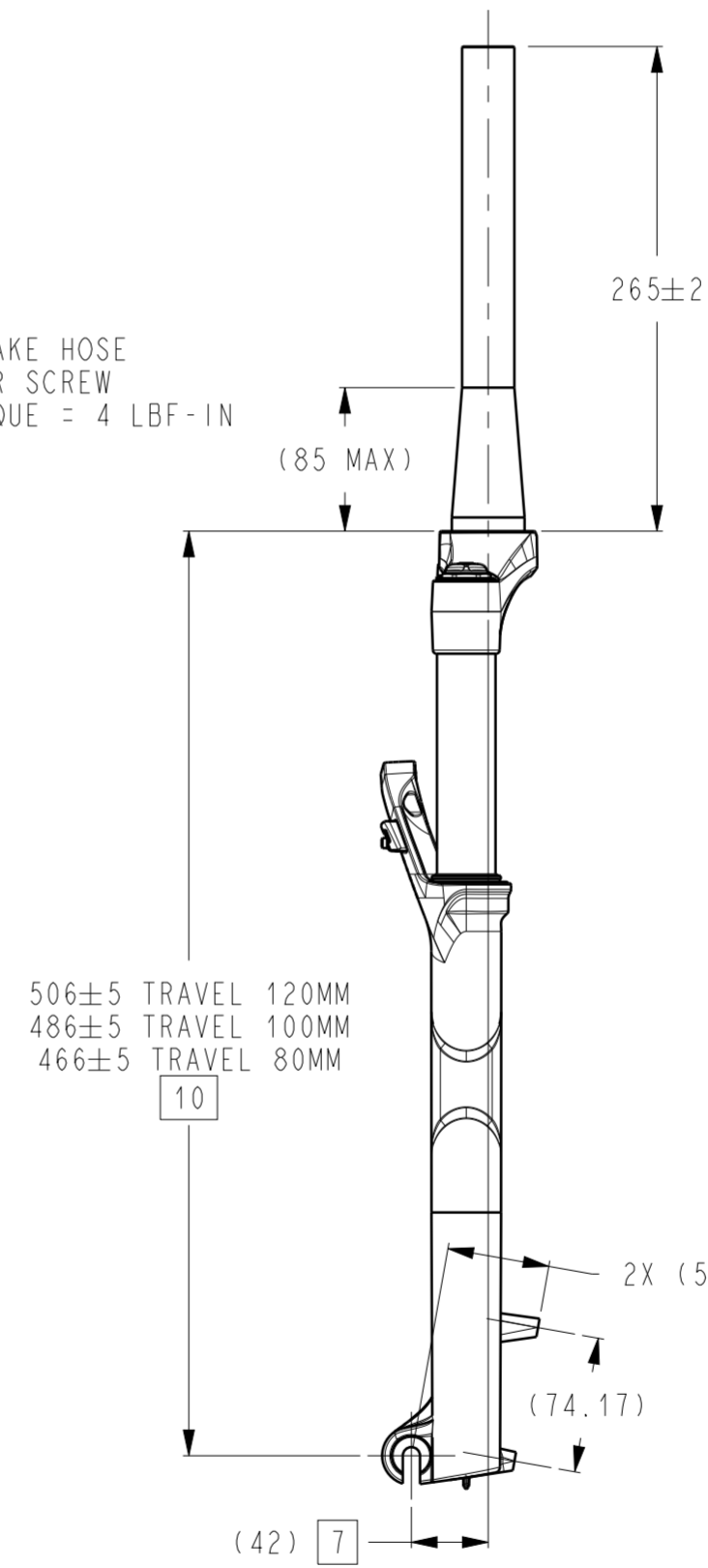
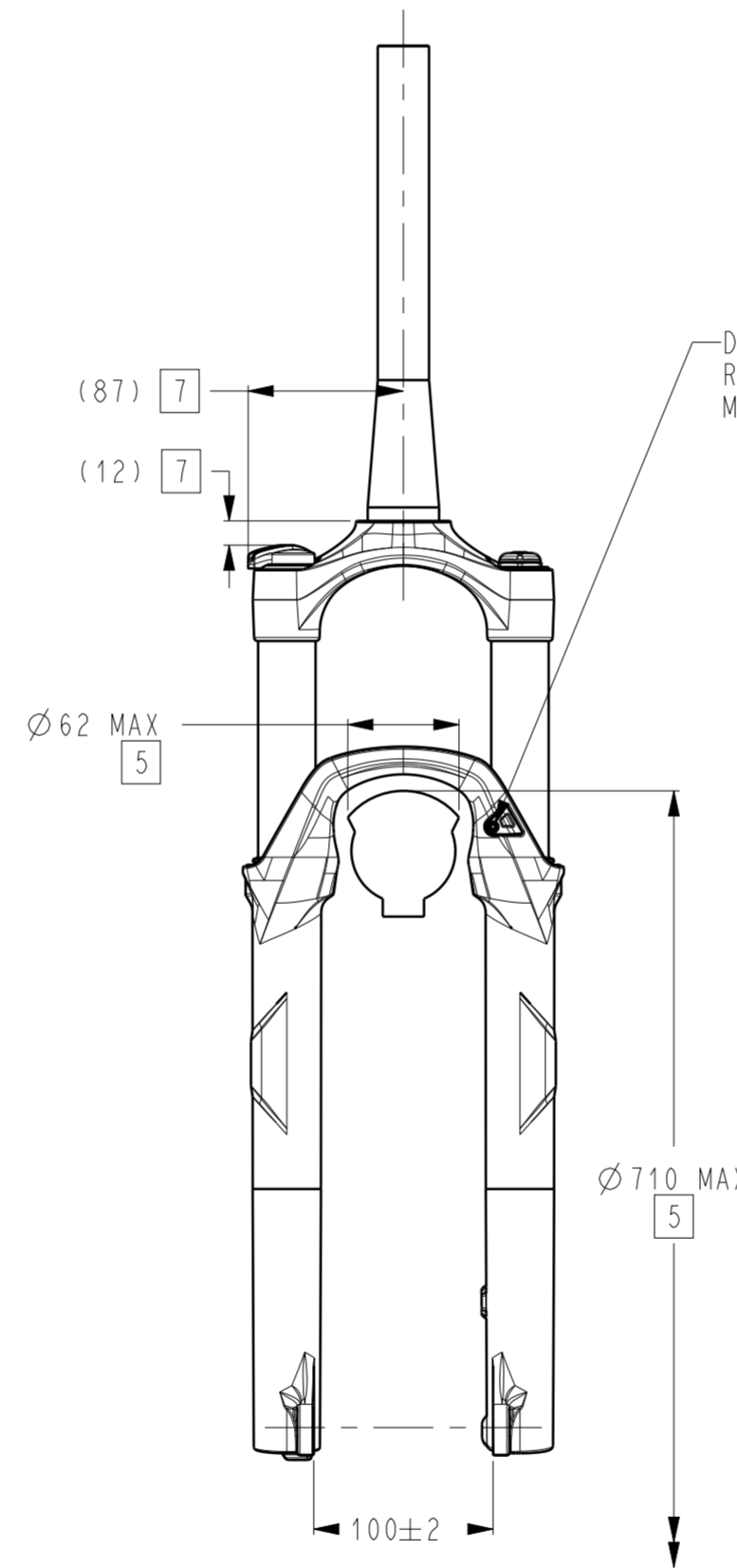


REV	RESP ENG	REVISION RECORD	
A	WHO	RELEASE	



DETAIL Z
SCALE 0.800



NOTES: (UNLESS OTHERWISE SPECIFIED)

1. DRAWING NOT TO SCALE, GENERAL PROFILE FOR DIMENSIONAL REFERENCE ONLY. SRAM RESERVES THE RIGHT TO CHANGE SPECIFICATIONS WITHOUT PRIOR NOTICE.
- (2) STEERER OD AT CROWN RACE MEASURED AS AVERAGE \varnothing OF 3 DIAMETRIC POINTS MINIMUM.
3. REFERENCE DIMENSIONS NOTED AS "()" ARE FOR CUSTOMER DESIGN INFORMATION ONLY.
- (4) HEADSET CUP I.D. MUST BE GREATER THAN STEER TUBE O.D. +0.3MM.
- (5) IMPORTANT: CUSTOMER IS RESPONSIBLE FOR ENSURING MINIMUM TIRE CLEARANCE. DO NOT EXCEED MAXIMUM TIRE ENVELOPE INDICATED ON THIS DRAWING.
- (6) POST TYPE BRAKE CALIPER MOUNT, DIRECT FOR 160MM ROTOR DIA., MAX. ROTOR DIA. = 203MM.
- (7) FORK / FRAME CLEARANCE. WORST CASE KNOB CONFIGURATION AND POSITION SHOWN.
8. 3D REPRESENTATION FILES (*.IGES AND *.STP) AVAILABLE UPON REQUEST.
- (9) WHEEL CENTER TOLERANCE; |A-B| < 2MM, DISHED WHEEL OR GAUGE MUST BE CLAMPED IN DROPOUTS.
- (10) DISTANCE BETWEEN CROWN RACE TO AXLE MAY VARY WITH SPRING RATE. THE DISTANCE SHOWN BASED ON MEDIUM SPRING, MIN. PRELOAD.

ALL DIMENSIONS ARE mm	GEOMETRIC DIMENSIONING AND TOLERANCING TO BE INTERPRETED PER ASME Y14.5-2009
THIRD ANGLE PROJECTION	☐ OR $\langle \text{K} \rangle$ INDICATES QUALITY IS SENSITIVE TO VARIATION FROM TARGET
MASS (g)	UNTOLERANCED LENGTH DIMENSIONS (mm)
N/A	LENGTH DIMENSIONS TOLERANCE
MATERIAL	From 0.5 up to 6 ± 0.1
N/A	over 6 up to 30 ± 0.2
	over 30 up to 120 ± 0.3
	over 120 up to 400 ± 0.5
	UNTOLERANCED ANGLE DIMENSIONS ± 2°

FORMAT: A2	SCALE: 0.25	SHEET: 1 / 1
LIFECYCLE STATUS	 CONFIDENTIAL - THIS DRAWING CONTAINS INFORMATION THAT IS PROPRIETARY TO SRAM CORPORATION AND MAY NOT BE DISCLOSED WITHOUT PERMISSION.	
In Work	DRAWING NAME / DESCRIPTION	
	USER SPEC. RECON 27 Q TPR	
DRAWING NUMBER	98-4015-108-030	VERSION
		A.1