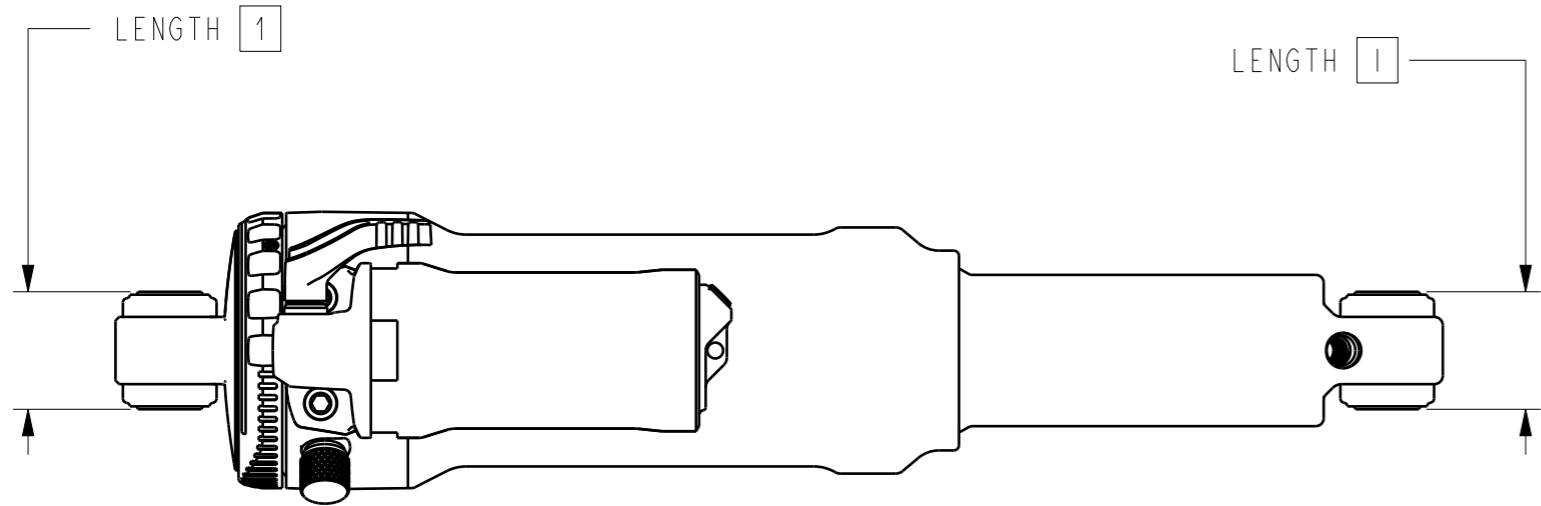
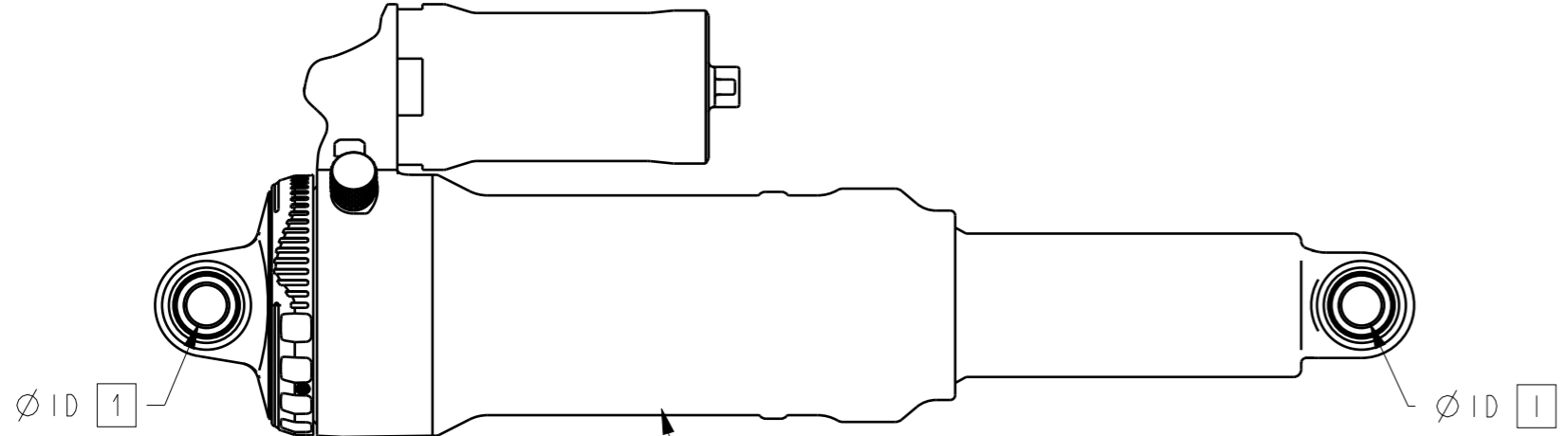


REV	RESP ENG	REVISION RECORD
A	TL	ECN 340692 RELEASE



HARDWARE INNER DIAMETER OPTIONS
ID±0.05
6.07
8.07
10.07

HARDWARE LENGTH OPTIONS
LENGTH±0.075
15.00
20.00
25.00
30.00
35.00
40.00
45.00



SHOCK VIEW FOR REFERANCE ONLY. HARDWARE MAY BE APPLIED TO OTHER CHASSIS

NOTES:
 1 REFER TO TABLE FOR AVAILABLE OPTIONS

ALL DIMENSIONS ARE mm	GEOMETRIC DIMENSIONING AND TOLERANCING TO BE INTERPRETED PER ASME Y14.5-2009
THIRD ANGLE PROJECTION	[KC] OR <KC> INDICATES QUALITY IS SENSITIVE TO VARIATION FROM TARGET
MASS (g)	UNTOLERANCED LENGTH DIMENSIONS(mm)
MATERIAL	LENGTH DIMENSIONS TOLERANCE
	from 0.5 up to 6 ± 0.1
	over 6 up to 30 ± 0.2
	over 30 up to 120 ± 0.3
	over 120 up to 400 ± 0.5
	UNTOLERANCED ANGLE DIMENSIONS ± 2°

FORMAT: A3	SCALE: 7:10	SHEET: 1 / 1
LIFECYCLE STATUS	SRAM. CONFIDENTIAL - THIS DRAWING CONTAINS INFORMATION THAT IS PROPRIETARY TO SRAM CORPORATION AND MAY NOT BE DISCLOSED WITHOUT PERMISSION.	
Released	DRAWING NAME / DESCRIPTION	
	HARDWARE, METRIC STANDARD	
DRAWING NUMBER	90-4115-124-000	VERSION
		A.1