

**NO. 1**

***SRAM***<sup>®</sup>

---

(english) **spare parts catalog**

## **SRAM® ORIGINAL PARTS**

### **CAUTION:**

The SRAM Warranty policy does not cover damages caused by the use of non-SRAM parts.

Use only SRAM parts with SRAM components.

Installation of parts and accessories not originally intended could result in less than optimal performance and/or injury.

For in-depth service information on SRAM products, refer to our website at [www.sram.com/service](http://www.sram.com/service). Contact your local SRAM distributor or dealer for ordering information.

Information contained in this publication is subject to change at any time without prior notice. Your product's appearance may vary from the diagrams contained in this catalog.



# TABLE OF CONTENTS

## REAR DERAILLEURS - ROAD

- 6 Red eTap
- 7 Red 22
- 8 Red 2013
- 9 Red
- 10 Force 22 / Rival 22
- 11 Force1 / CX1
- 12 Rival1
- 13 Apex1/NX
- 14 Force / Rival / Apex



## FRONT DERAILLEURS - ROAD

- 15 Red eTap
- 16 Red 22 / Red 2013 / Force 22 / Rival 22
- 17 Red
- 18 Force / Rival / Apex



## SHIFTERS / LEVERS - ROAD

- 19,20 HRD/HRR Red 22 B1 / Force 22  
Force CX1 / Rival 22 / Rival 1 / 700 B1
- 21 Red eTap
- 22 Red 22 / Red 2013
- 23 Red
- 24 Force 22 / Force CX1 / Force 1 / Rival 22 / Rival 1
- 25 Force / Rival / Apex
- 26 DoubleTap® Road Trigger Shifter
- 27 Time Trial Brake Lever
- 28 Time Trial Shifter



## BRAKE CALIPERS - ROAD

- 29 Red 22 / Force 22 / Force CX1 /  
Rival 22 / 700 HRD/HRR Calipers
- 30 Red 2013
- 31 Red 2011 / Force
- 32 Force / Rival / Apex



## CRANKS - ROAD

- 33 Red 22 / Red 2013 / Red / Force 22 / Force CX1  
Force 1 / Force / Rival 22 / Rival / Apex
- 34 950 / 900 / 800 / 550 / 500 / 300 / 100



## CHAINRINGS - ROAD

- 35 Aero / Red X-Glide / X-Glide / X-Sync



## SPIDERS / CASSETTES / BOTTOM BRACKET - ROAD

- 36 PG 1050 / OG 1070 / OG 1090 / XG 1090



## WHEELS - ROAD

- 37 Spokes / Nipples / Hubs / Freehub Bodies  
Decals / Tools



## HUBS - MTB

- 38 406
- 39 506
- 40 746
- 41 X7
- 42 X9
- 43,44 900
- 45 X0
- 46 Predictive Steering



## WHEELS - MTB

- 47,48 Rise 40/60 (A1)
- 49,50 Rise 60 (B1)
- 51,52 Rise XX
- 53,54 Roam 30/40
- 55,56 Roam 50/60
- 57,58 Roam 60 27.5 (B1)
- 59,60 Rail 40
- 61,62 Rail 50
- 63,64 Maxle



## REAR DERAILLEURS - MTB

- 65 XX1 / X01 Eagle
- 66 XX1 / X01 / X01DH / X1 (2013-Preset) 1x11
- 67 XX (2010-2012) 2x10
- 68 X0 / X9 / X7 Type 2/2.1 (2013-Present) 2x10
- 69 X0 / X9 / X7 / ViaGT (2011-2013) 2x10, 3x10
- 70 X0 3x9 (2006-2013)
- 71 GX 2x10 Type 2.1
- 72 GX 2x11 Type 2.1
- 73 GX 1x11, GX DH 1X7 Type 2.1
- 74 X9 / X7 (2010) 3x9
- 75 X9 (2007-2009) 3x9
- 76 X9 / X7 DualDrive 27 (2005-2006) 3x9
- 77 X7 (2007-2009) 3x9
- 78 X9 / X7 (2004-2009) 3x9
- 79 X5 / X4 (2008-2009) X5 / 2012 SX4, SX3, Dual Drive
- 80 5.0 3x9



## FRONT DERAILLEURS - MTB

- 81 XX 2x10
- 82 X0 / X9 / ViaGT 2x10, 3x10 (2011-2012)
- 83 X9 3x9 (2007-2010)
- 84 X5 (2012) / X7 / X-Gen (2005-2010)



## TRIGGER SHIFTERS - MTB

- 85 XX1 Eagle
- 86 X01 Eagle
- 87 XX1 / X01 / X01DH 1x11, X1
- 88 XX 2x10 (2010-2012)
- 89 X0 / X9 / X7 B1
- 90 X0 2x10, 3x10 (2011-2012)
- 91 X0 3x9 (2006-2012)
- 92 GX 2x10, 2x11, GX DH 1X7
- 93 X9 / X7 / X5 / ViaGT 2x10, 3x10 (2011-2012)
- 94 X9 (2007-2010) 3x9 3X10
- 95 X7 3x9 (2010)
- 96 X7 (2007-2009) / X9 (2006) 3x9  
X9 (2005) / X7 (2005-2006) / X5 / X-Gen (08-09) 3x9
- 97 X4 / SX4 / TRX 3x9



## TWIST SHIFTERS - MTB

- 98 XX1 / XX / X0 / X01 Grip Shift
- 99 GX 2x11, 1x11, NX
- 100 X0 / X9 / X7 / Rocket / Attack 3x9 (2005-2011)
- 101 5.0 / Centera
- 102 3.0 Comp / 3.0 / MRX Comp / MRX



## CRANK / CHAINRINGS

- 103 XX / XX1 / X1 / X0 / X01 / X01DH / X9 / X7 / GX Left Crank Arm
- 104 Spider / Bottom Bracket / Crank / Cassette
- 105 2X10 / 3X10 / 3X9 - Crank / Chain Rings MTB
- 106 X-Sync / 2x11 Chainrings
- 107 Truvativ X0 Chain Guides
- 108 Truvativ 2x10 X-Guides



# TABLE OF CONTENTS


## DISC BRAKES - LEVERS

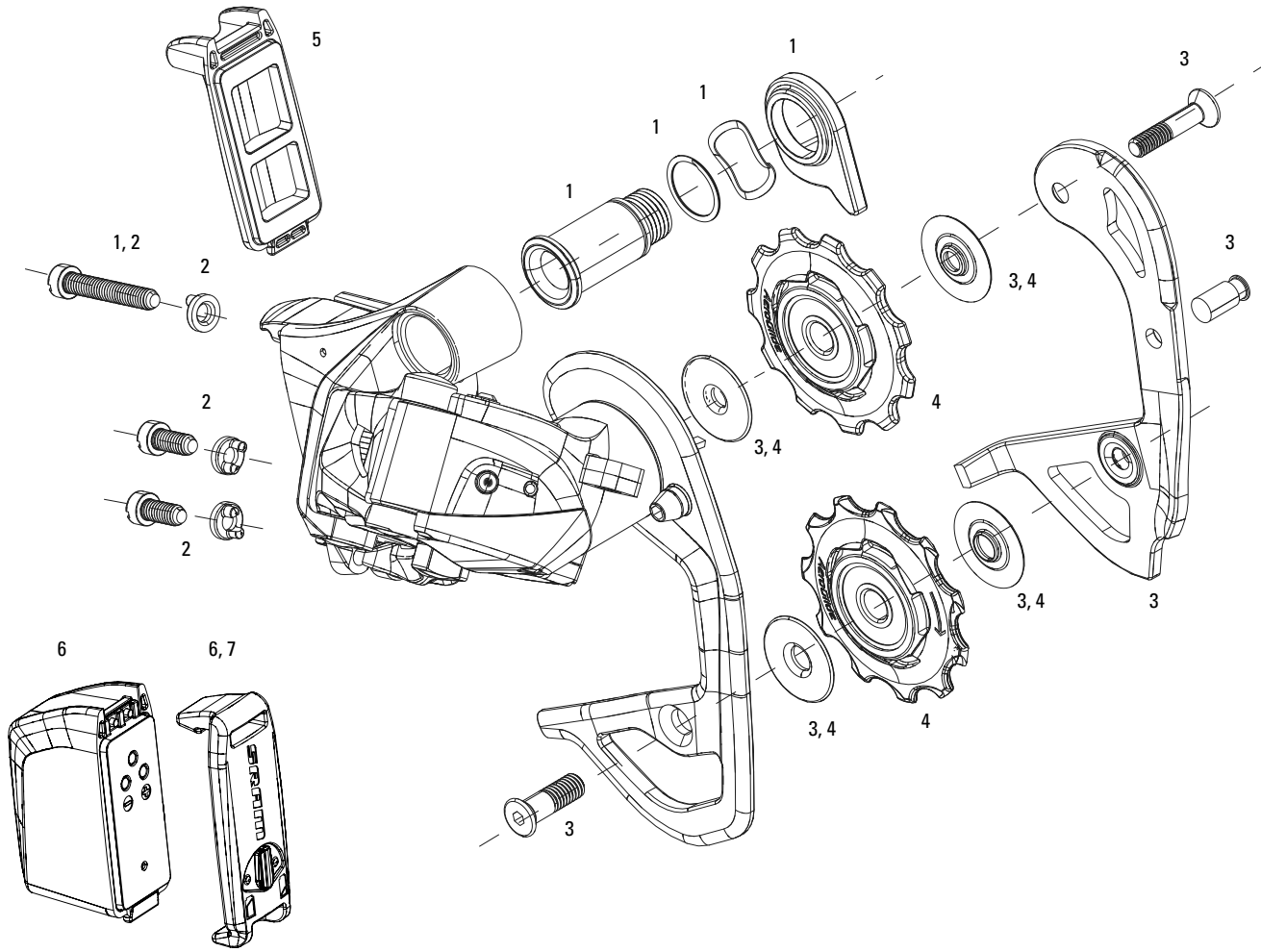
- 109 DB1
- 110 DB3
- 111 DB5
- 112 Level
- 113 Level T
- 114 Level TL
- 115 Level TLM
-  116 Level Ultimate
- 117 Guide R
- 118 Guide RE
- 119 Guide RS
- 120 Guide RSC
- 121 Guide Ultimate
- 122,123 X0 (2013-2015)
- 124,125 XX (2010-2011) / XX World Cup (2010-14) / Calipers (2012)

## DISC BRAKES - CALIPERS

- 126 DB1
- 127 DB3
- 128 DB5
- 129 Level
- 130 Level T
- 131 Level TL
- 132 Level TLM
- 133 Level Ultimate
- 134 Guide R/RS
- 135 Guide R/RS S4
- 136 Guide RE
- 137 Guide RSC (A1)
- 138 Guide RSC (B1)
- 139 Guide Ultimate
- 140 X0
- 141 XX / XX World Cup (2010-16)

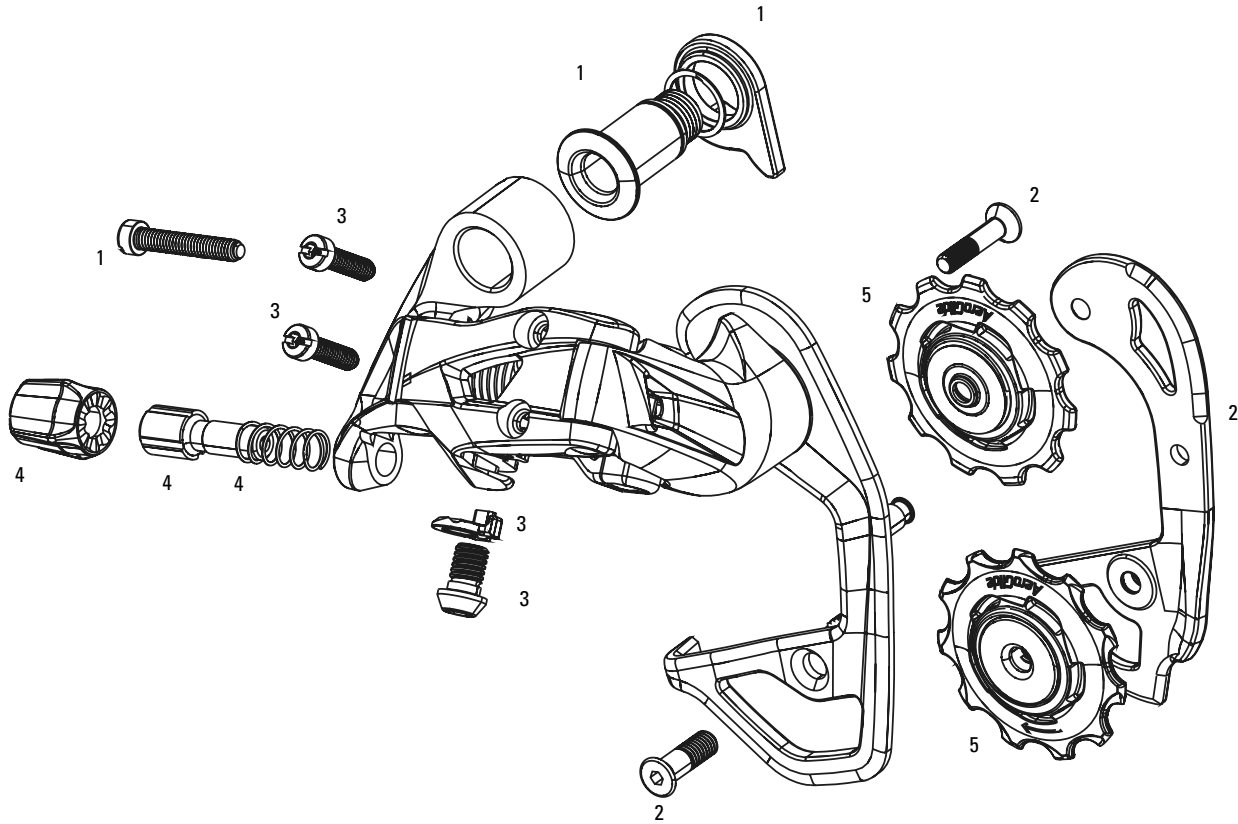
## ROTORS / MOUNTING BRACKETS / HARDWARE / TOOLS

- 142 Rotors
-  143-145 Mounting Brackets / Hardware
- 146 Flat Mount Road Brackets / Hardware
- 147 Matchmaker / Brake Pads / Hydraulic Line Fittings
- 148 Bleed Kits / Tools / Fluid / Grease
- 149 Replacement Kits for Hydro Brake Tackle Box



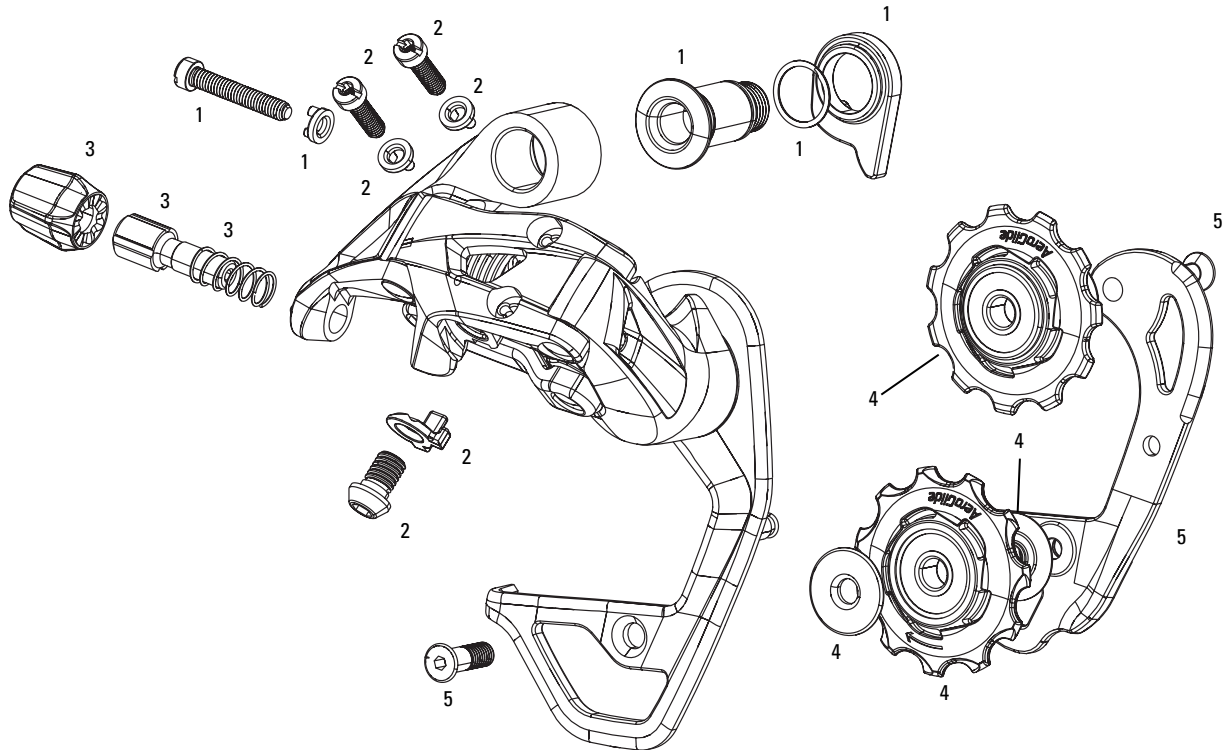
**No. Part Number Description**

1	11.7518.063.000	Red eTap Rear Derailleur B-Bolt/B-Screw
2	11.7518.064.000	Red eTap Rear Derailleur Limit Screws
3	11.7518.065.000	Red eTap Rear Derailleur Inner Cage with Screws
4	11.7518.066.000	Red eTap Rear Derailleur Pulleys Ceramic 11 Speed
5	11.7618.005.000	Red eTap Battery Block Front/Rear Derailleur Qty 1
6	00.3018.102.000	SRAM eTap Battery Qty 1
7	11.7618.006.000	SRAM eTap Battery Terminal Cover Qty 1



**No. Part Number Description**

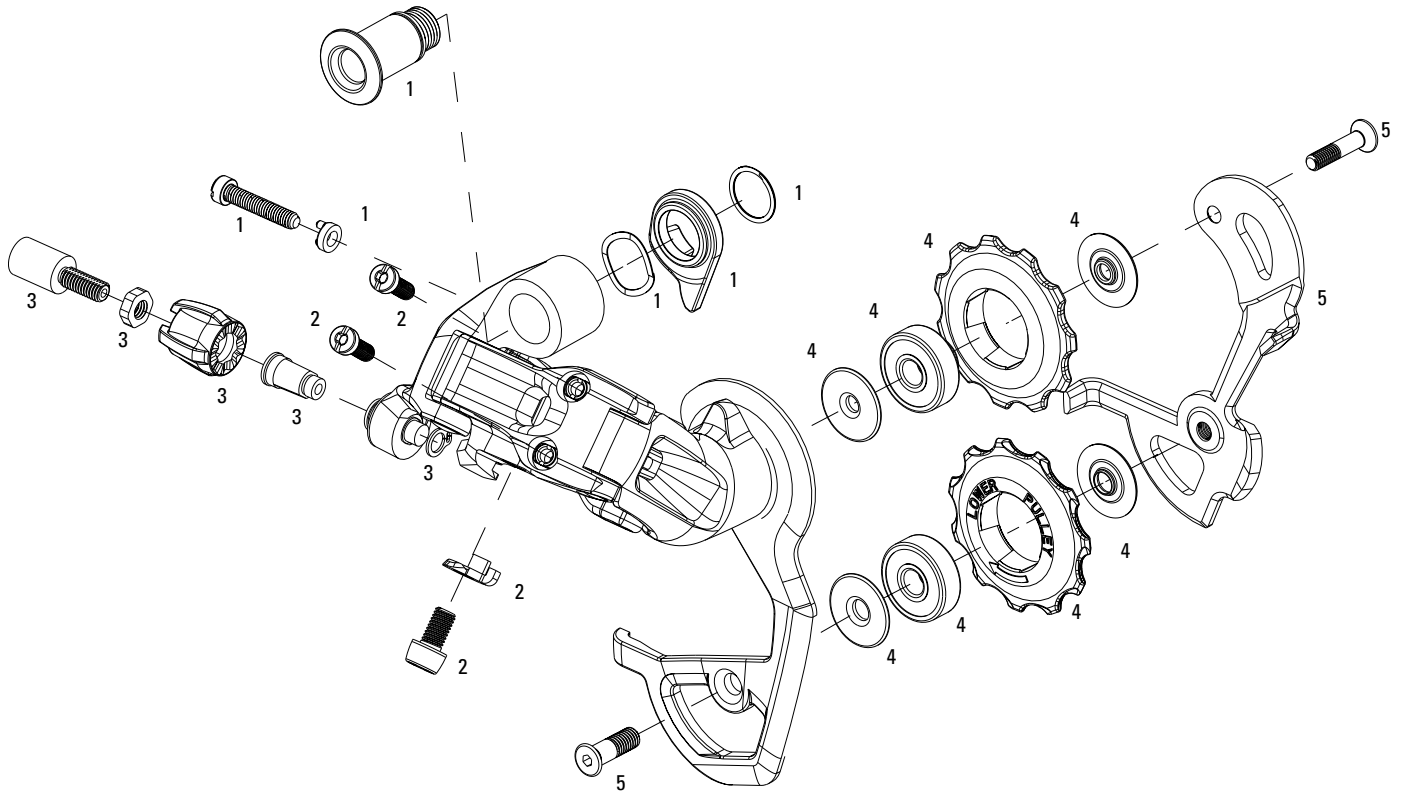
1	11.7518.020.000	Red22 Rear Derailleur B-Bolt/B-Screw
2	11.7518.013.001	Red 13/22 Rear Derailleur Inner Cage with Mounting Bolts
2	11.7518.013.002	Red 13/22 Rear Derailleur Medium Inner Cage with Mounting Bolts
3	11.7518.001.000	Red 13/22 Aero Glide Rear Derailleur Cable Anchor/Limit Screw
4	11.7518.002.000	Red 13/22 Force22 Aero Glide Rear Derailleur Barrel Adjuster
5	00.7518.014.000	BlackBox Ceramic Bearing Pulleys – AeroGlide Road



**No. Part Number Description**

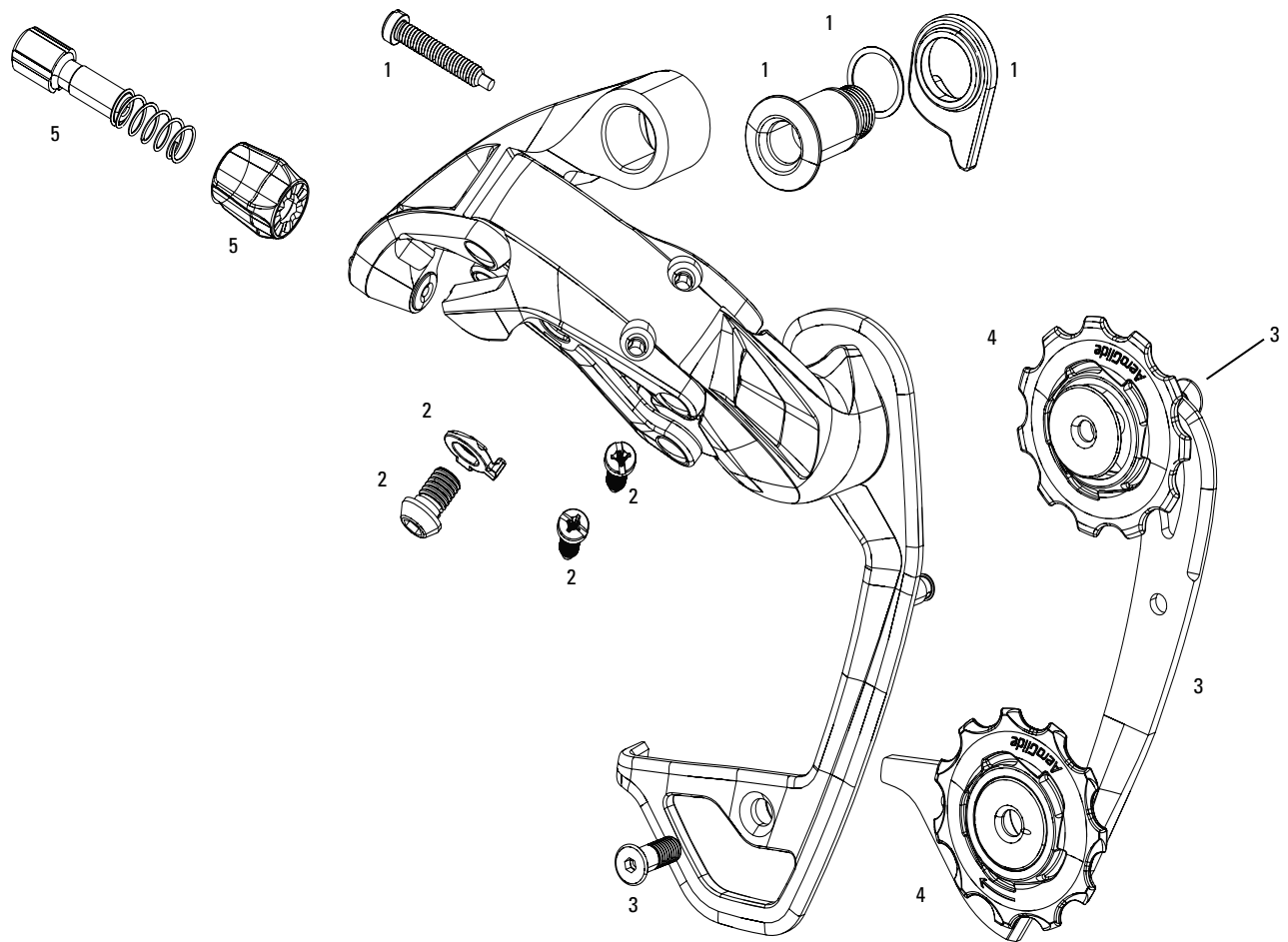
1	11.7518.000.000	Red 13 Aero Glide Rear Derailleur B-Bolt/B-Screw
2	11.7518.001.000	Red 13/22 Aero Glide Rear Derailleur Cable Anchor/Limit Screw
3	11.7518.002.000	Red 13/22 Force22 Aero Glide Rear Derailleur Barrel Adjuster
4	00.7518.014.000	BlackBox Ceramic Bearing Pulleys – AeroGlide Road
5	11.7518.013.001	Red 13/22 Rear Derailleur Inner Cage with Mounting Bolts
5	11.7518.013.002	Red 13/22 Rear Derailleur Medium Inner Cage with Mounting Bolts





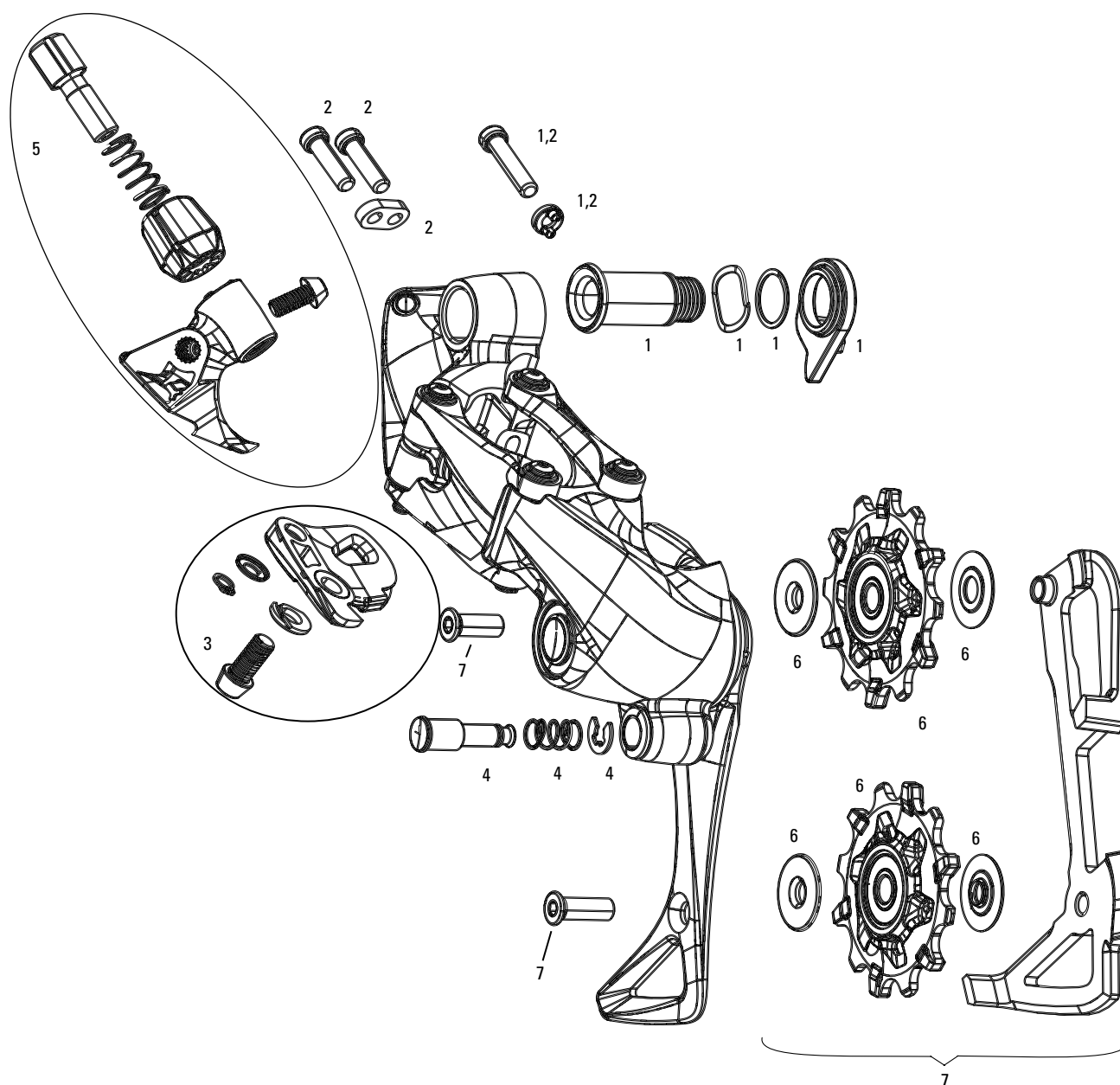
**No. Part Number Description**

1	11.7515.016.000	Red Rear Derailleur B-Bolt Kit
1	11.7515.068.000	Red Black Rear Derailleur B-Bolt Kit
2	11.7515.017.000	Red Rear Derailleur Cable Anchor/Limit Screw
3	11.7515.018.000	Red Rear Derailleur Barrel Adjuster Kit
3	11.7515.070.000	Red Black Rear Derailleur Barrel Adjuster Kit
4	00.7518.014.000	BlackBox Ceramic Bearing Pulleys – AeroGlide Road
ns	11.7515.034.000	Rear Derailleur Limit Screw Plugs Qty 10 (Red, Force, Rival, X-0)
5	11.7518.013.000	Red Rear Derailleur Inner Cage with Mounting Bolts



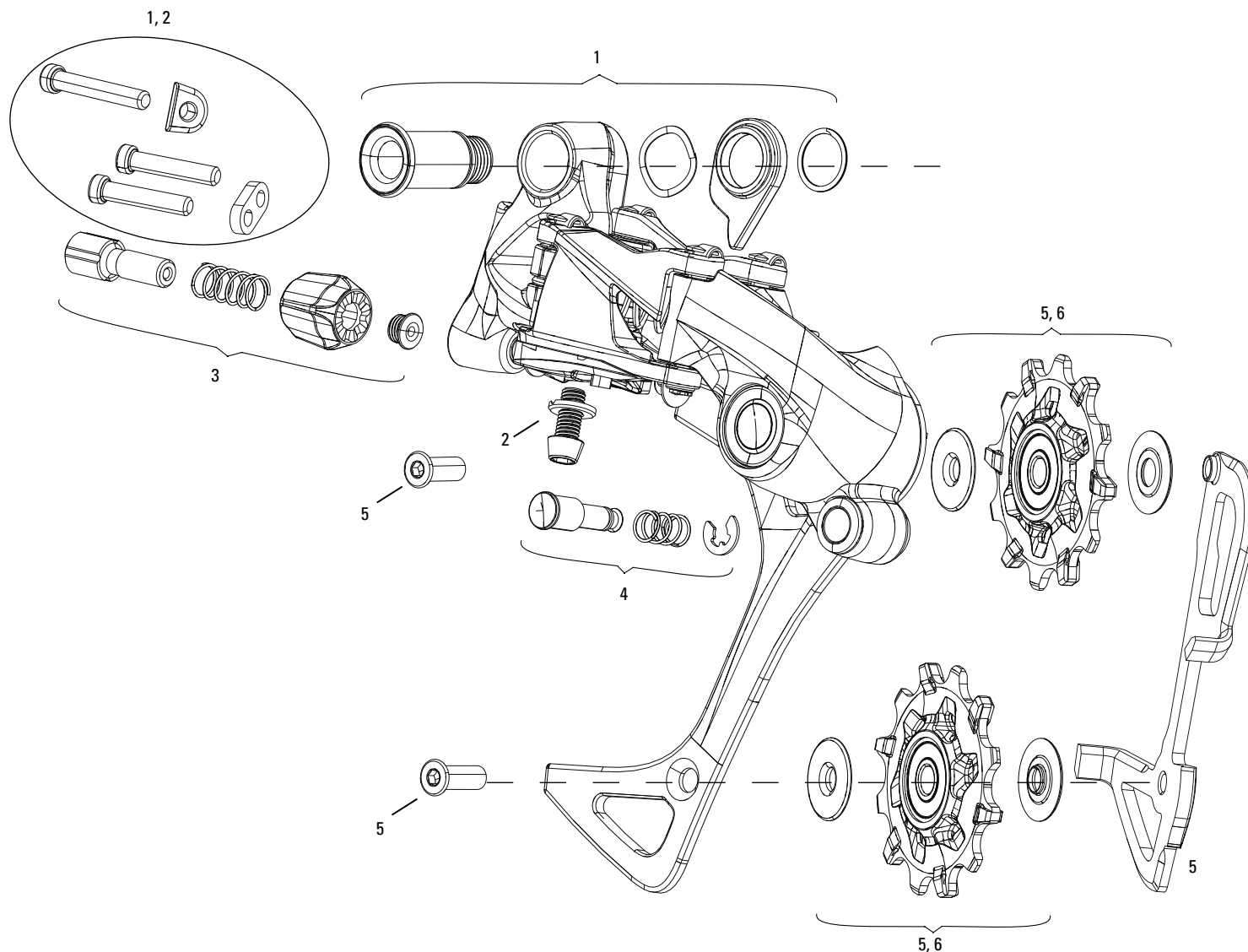
**No. Part Number Description**

1	11.7518.021.000	Force22 Rear Derailleur B-Bolt/B-Screw
2	11.7518.023.000	Force22 Rear Derailleur Cable Anchor/Limit Screws
2	11.7518.035.000	Rival22 Cable Anchor and Limit Screws
3	11.7518.025.000	Force22 Rear Derailleur Inner Cage with Mounting Bolts
3	11.7518.025.001	Force22 Rear Derailleur Medium Inner Cage with Mounting Bolts
3	11.7518.036.000	Rival22 Pulleys and Inner Cage - Medium
4	11.7518.026.000	Force22 Rear Derailleur Pulley Kit
5	11.7518.002.000	Red 13/22 Force22 Aero Glide Rear Derailleur Barrel Adjuster
5	11.7518.038.000	Rival22 Rear Derailleur Barrel Adjuster



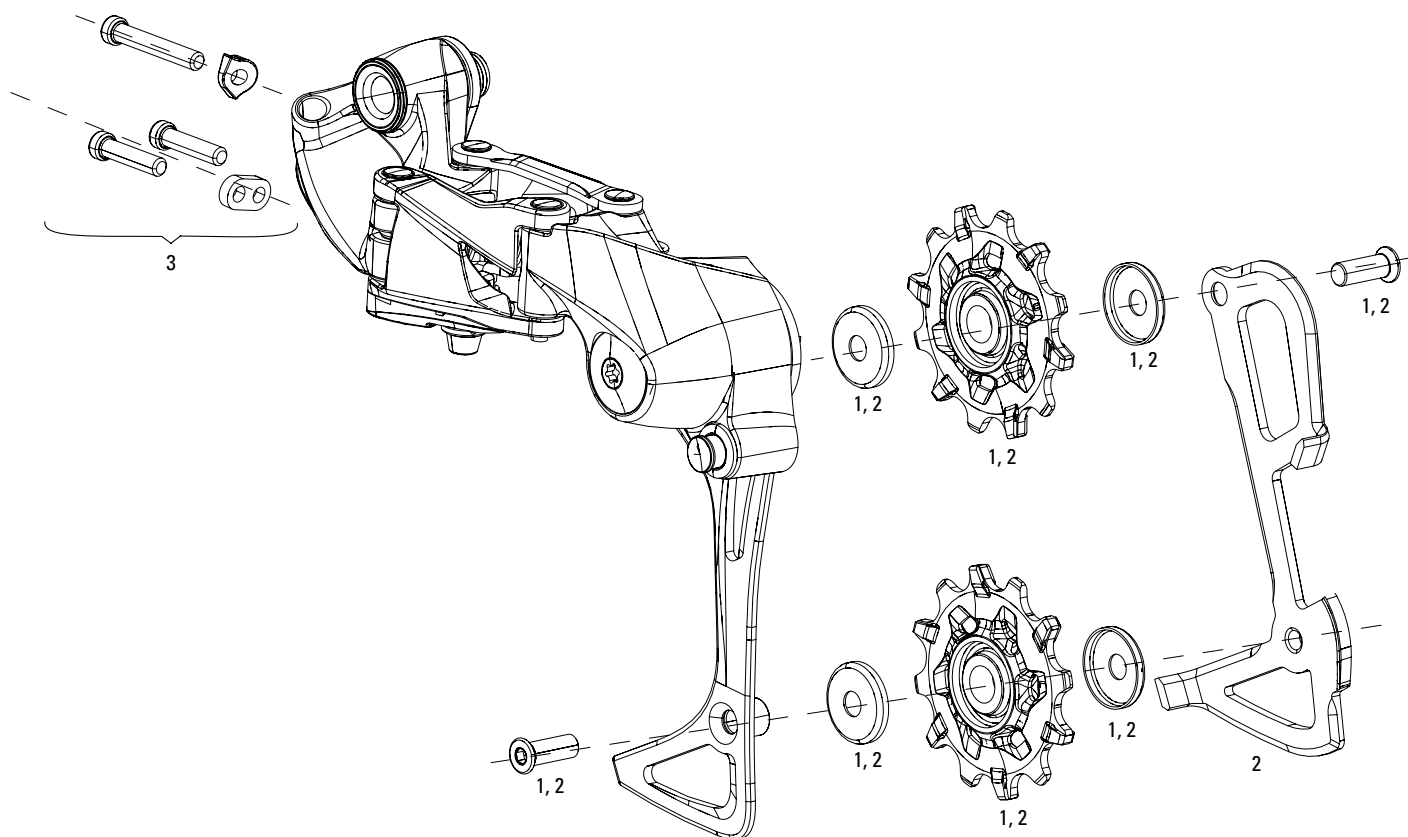
**No. Part Number Description**

1	11.7518.039.000	Force CX1 Rear Derailleur B.Bolt Kit
2	11.7518.034.000	RD X01 and X01DH B.Screw and Limit Screw Kit
3	11.7518.041.000	Force CX1 Rear Derailleur Fin and Cable Anchor Bolt
4	11.7518.012.000	XX1/X01/DH/X0/CX1/X1/X9/X7 Type 2/2.1 Cage Lock with Spring Qty 1
5	11.7518.040.000	Force CX1 Barrel Adjuster and Holder
6	11.7518.032.000	RD X01/X01DH/X1/CX1 X.Sync Pulley Assembly
7	11.7518.059.000	Rear Derailleur GX 1X11/Force1/Rival1 Type 2.1 Cage and Pulley Kit Long Cage



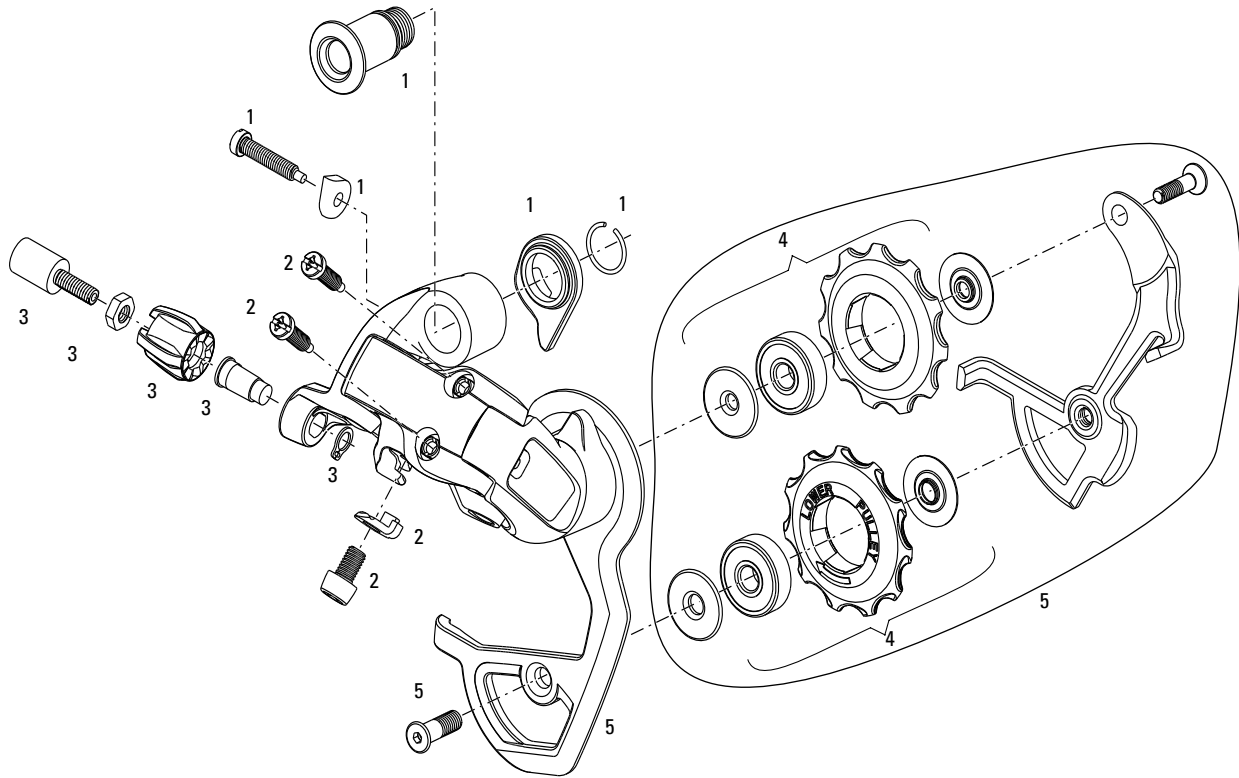
No.	Part Number	Description
-----	-------------	-------------

1	11.7518.060.000	Rival1 B Bolt and Limit Screw Kit
2	11.7518.061.000	Rival1 Cable Anchor and Limit Screw Kit
3	11.7518.038.000	Rival22 Rear Derailleur Barrel Adjuster
4	11.7518.012.000	XX1/X01/DH/X0/CX1/X1/X9/X7 Type 2/2.1 Cage Lock with Spring Qty 1
5	11.7518.062.000	Rival1 Rear Derailleur Pulley and Inner Cage Kit Medium
5	11.7518.059.000	Rear Derailleur GX 1X11/Force1/Rival1 Type 2.1 Cage and Pulley Kit Long Cage
6	11.7518.032.000	RD X01/X01DH/X1/CX1 X.Sync Pulley Assembly



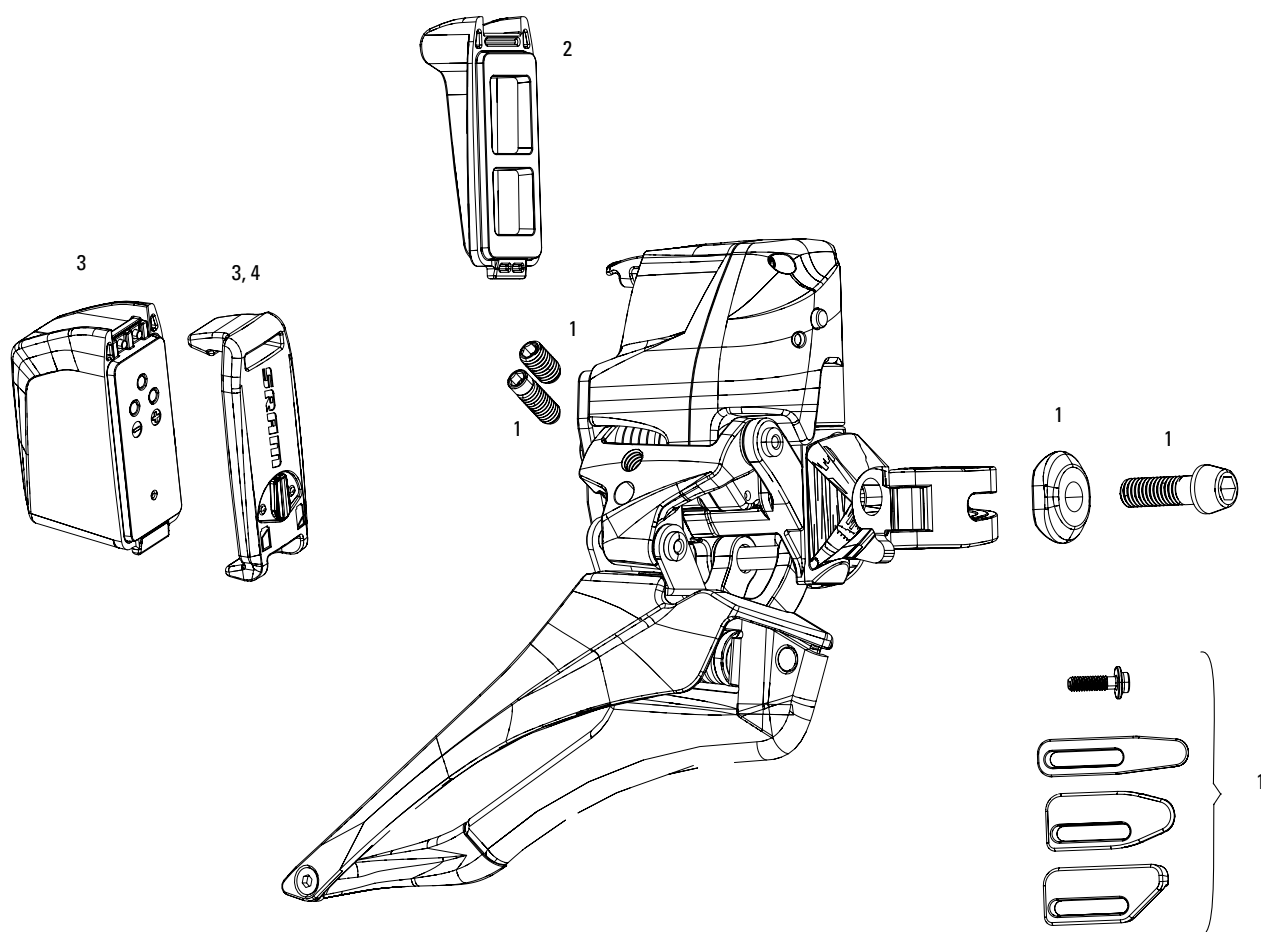
No.	Part Number	Description
-----	-------------	-------------

- |   |                 |  |
|---|-----------------|--|
| 1 | 11.7518.072.000 | Rear Derailleur Apex1/NX 11 Speed Pulley Kit             |
| 2 | 11.7518.073.000 | Rear Derailleur Apex1/NX 11 Speed Cage and Pulley Kit    |
| 3 | 11.7518.075.000 | Rear Derailleur Apex1 B Adjust and Limit Screw Kit       |
| 3 | 11.7518.067.000 | Rear Derailleur NX 11 Speed B Adjust and Limit Screw Kit |



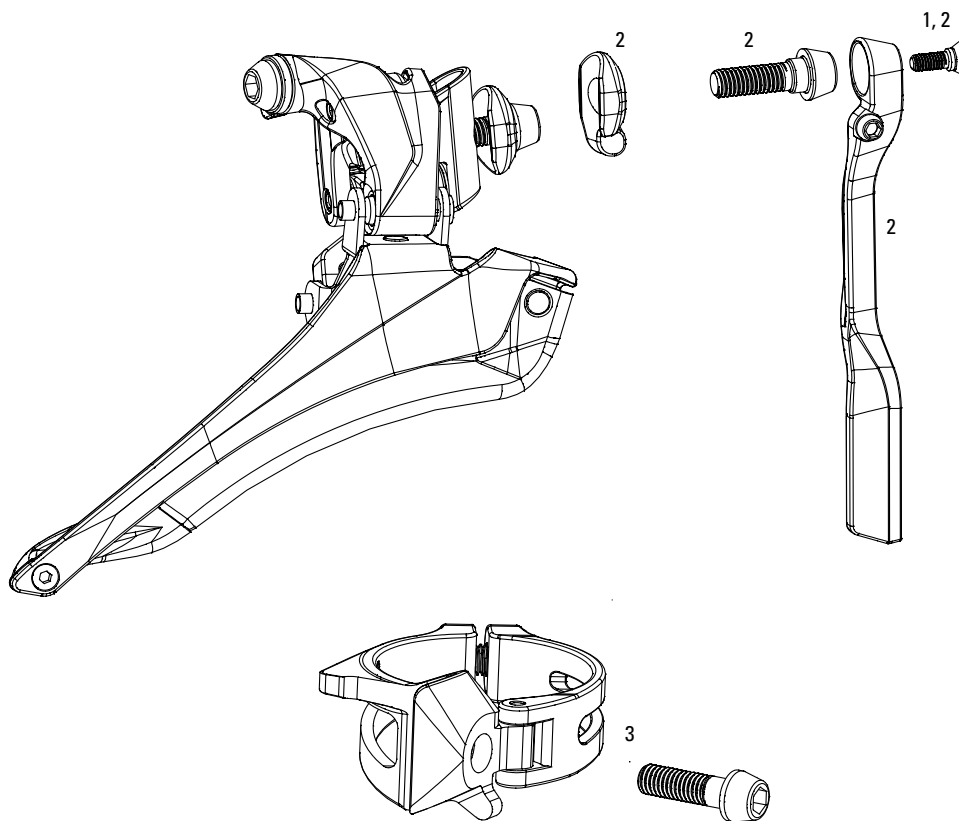
**No. Part Number Description**

1	11.7518.009.000	Apex/Rival/Force Rear Derailleur B-Bolt Kit
1	11.7515.035.000	Rival/Apex Medium Cage Rear Derailleur B-Bolt Kit
2	11.7515.001.000	Rival Rear Derailleur Cable Anchor/Limit Screw
2	11.7515.061.000	Force Rear Derailleur Cable Anchor/Limit Screw
3	11.7515.005.000	Apex/Rival/Force Rear Derailleur Barrel Adjuster Kit
4	11.7515.060.000	Force Rival Apex Rear Derailleur Pulley Kit
5	11.7515.059.000	Apex Short Rear Derailleur Cage/Pulley Complete Kit
5	11.7515.059.010	Apex Medium Rear Derailleur Cage/Pulley Complete Kit
5	11.7515.033.020	Rival Rear Derailleur Cage/Pulley Complete Kit Blk
5	11.7515.033.040	Rival Medium Rear Derailleur Cage/Pulley Complete Kit
5	11.7515.033.030	2010 Force Rear Derailleur Cage/Pulley Complete Kit
5	11.7515.033.050	Force Medium Rear Derailleur Cage/Pulley Complete Kit
ns	11.7515.034.000	Rear Derailleur Limit Screw Plugs Qty 10 (Red, Force, Rival,X-0)



**No. Part Number Description**

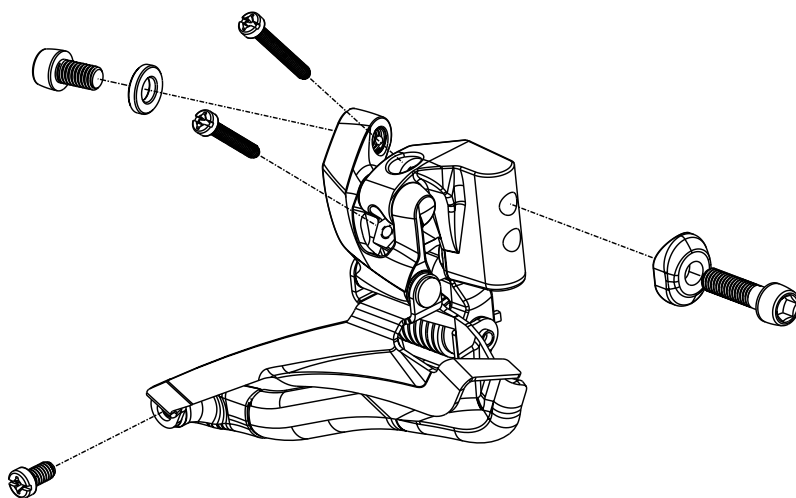
1	11.7618.004.000	Red eTap Front Derailleur Spare Parts Kit
2	11.7618.005.000	Red eTap Battery Block Front/Rear Derailleur Qty 1
3	00.3018.102.000	SRAM eTap Battery Qty 1
4	11.7618.006.000	SRAM eTap Battery Terminal Cover Qty 1



**No. Part Number Description**

1	11.7618.003.000	Chainspotter Attaching Bolt qty 1
2	00.7618.013.000	Front Derailleur Chain Spotter with Washer
3	11.7618.000.000	Braze-on Adaptor Red 34.9 with Chainspotter Stop Black
3	11.7618.000.001	Braze-on Adaptor Red 31.8 with Chainspotter Stop Black

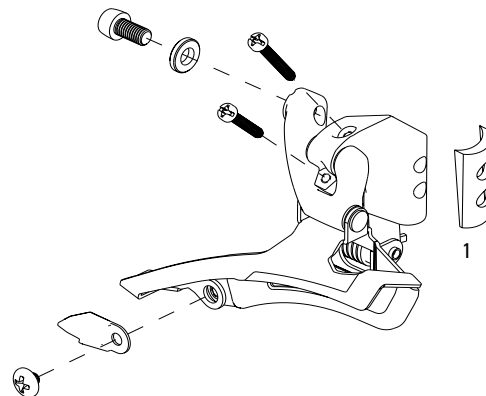
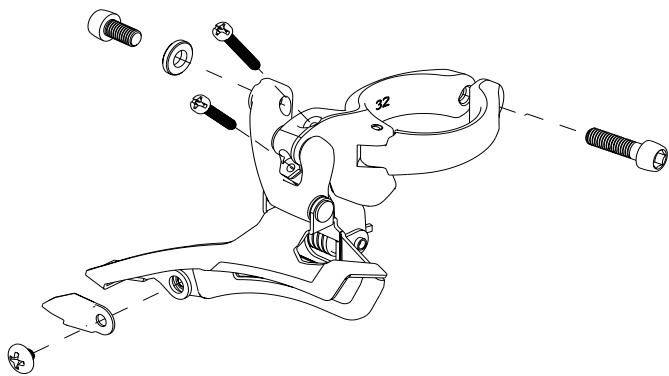




---

No. Part Number Description

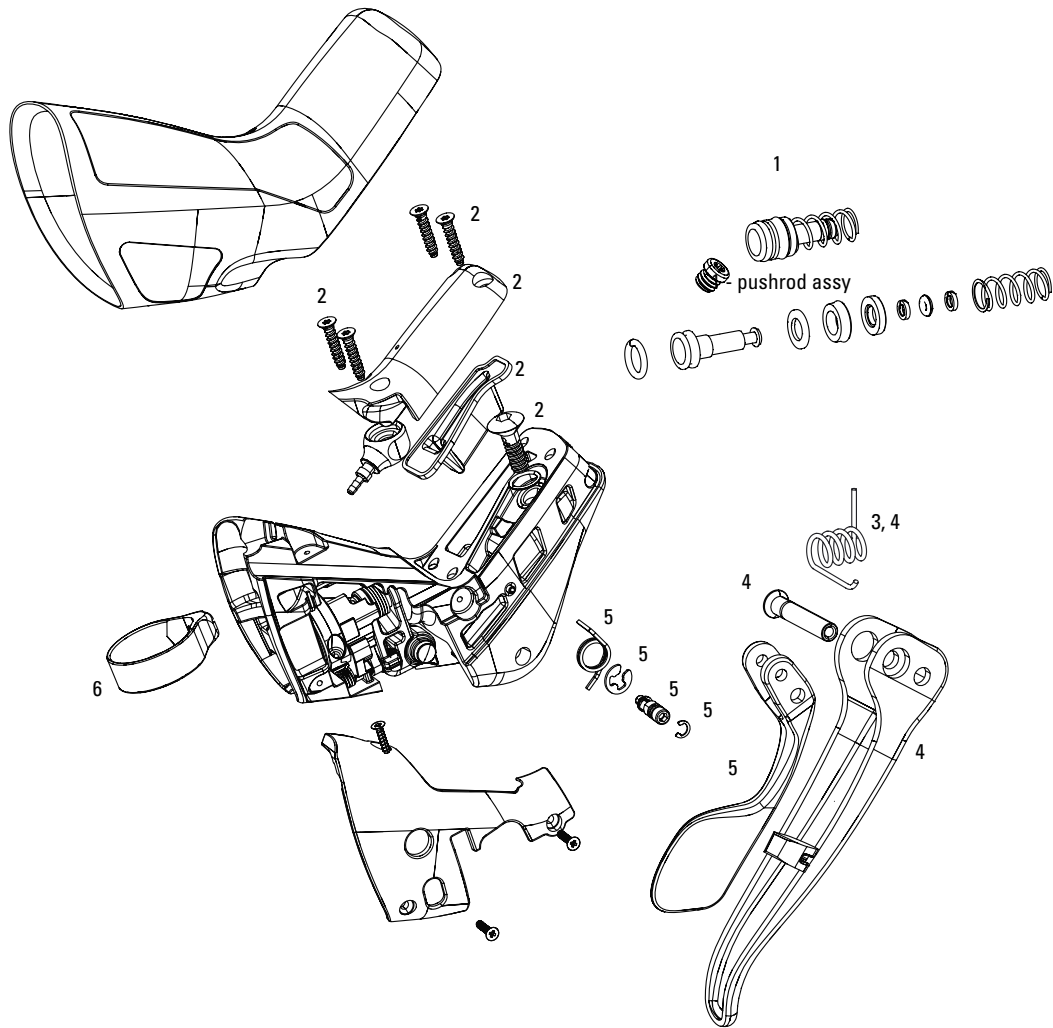
Price



**No. Part Number Description**

1 11.7615.011.000 Rival/Force Slanted Adjustment Washer Front Derailleur Braze Qty 1

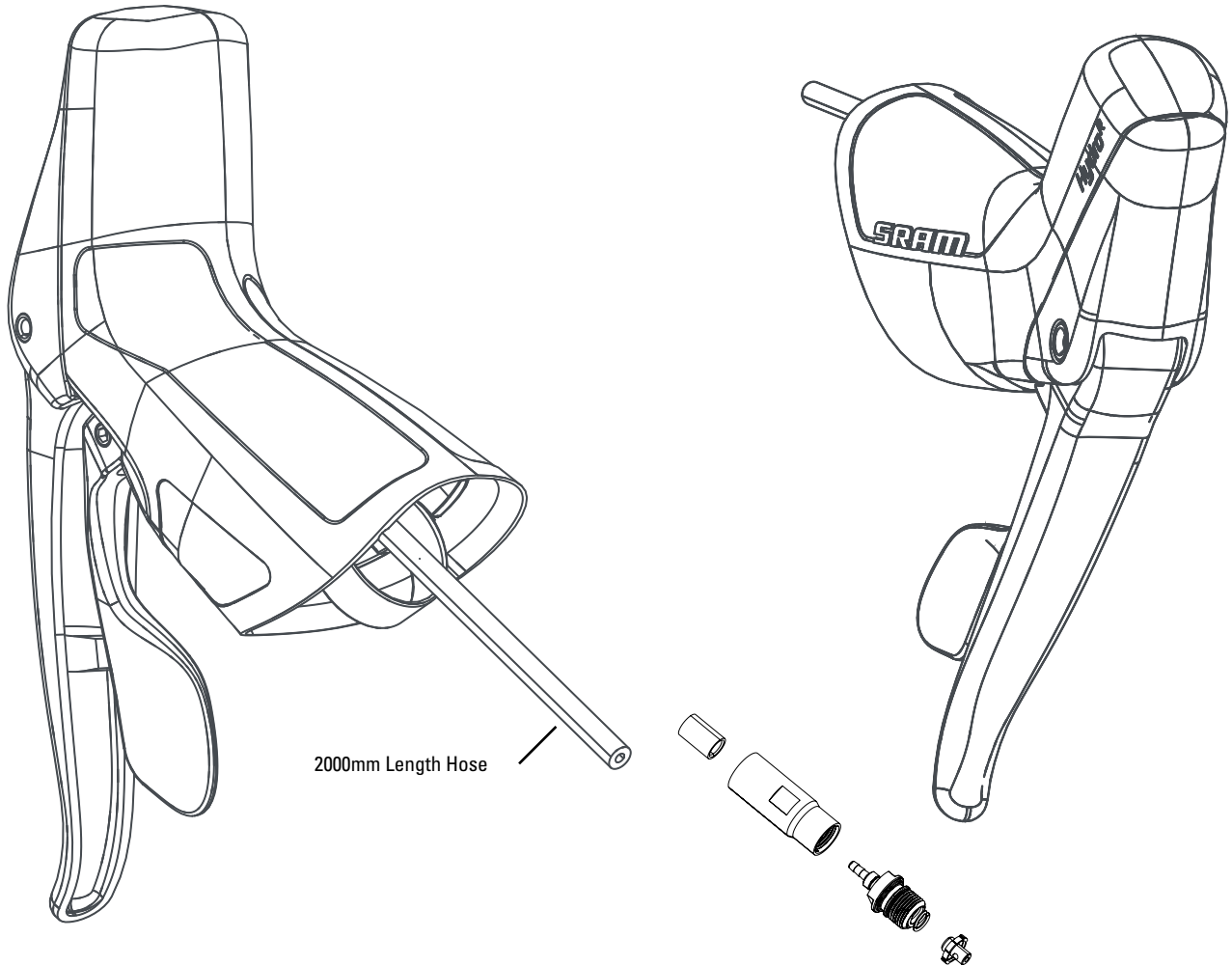
**SRAM RED 22 B1 / FORCE 22 / FORCE CX1 / RIVAL 22 / 700 B1  
HRD / HRR - SHIFTERS / BRAKE LEVERS**



**No. Part Number Description**

1	11.7018.036.000	HRD/HRR Shift Lever Pushrod Assembly and Bleed Screw 1 lever
2	11.7018.037.000	HRD/HRR Shift Lever Front Reservoir Cap/Bladder Kit with Screws and Bleed Plug Qty1
2	11.7018.037.001	HRD/HRR Shift Lever Rear Reservoir Cap/Bladder Kit with Screws and Bleed Plug Qty1
3	11.7018.031.000	RED22/700 Hydraulic Lever Bias Spring Kit Left and Right
4	11.7018.038.000	Red22 B1 Hydraulic ErgoDynamic Brake Lever Assembly Right
4	11.7018.038.001	Red22 B1 Hydraulic ErgoDynamic Brake Lever Assembly Left
4	11.7018.038.002	Force22 Hydraulic ErgoDynamic Brake Lever Assembly Right
4	11.7018.038.003	Force22 Hydraulic ErgoDynamic Brake Lever Assembly Left
4	11.7018.038.004	Rival22 Hydraulic ErgoDynamic Brake Lever Assembly Right
4	11.7018.038.005	Rival22 Hydraulic ErgoDynamic Brake Lever Assembly Left
4	11.7018.038.006	700 B1 Hydraulic Brake Lever Assembly Right
4	11.7018.038.007	700 B1 Hydraulic Brake Lever Assembly Left
4	11.5118.006.001	Force CX1 Hydraulic Brake Lever Assembly Left
4	11.5218.001.001	Force1 Brake Lever Assembly Left
5	11.7018.042.000	Red22 B1 Hydraulic Shift Lever Assembly Right
5	11.7018.042.001	Red22 B1 Hydraulic Shift Lever Assembly Left
5	11.7018.042.002	Force22 Hydraulic Shift Lever Assembly Right
5	11.7018.042.003	Force22 Hydraulic Shift Lever Assembly Left
5	11.7018.042.004	Rival22 Hydraulic Shift Lever Assembly Right
5	11.7018.042.005	Rival22 Hydraulic Shift Lever Assembly Left
5	11.7018.042.006	700 B1 Hydraulic Shift Lever Assembly Right
5	11.7018.042.007	700 B1 Hydraulic Shift Lever Assembly Left
6	11.7018.002.000	Red 13/22/Force22/Rival22/700 ErgoDynamic and Hydraulic Road Shifter Clamp Kit Pair

**SRAM RED 22 B1 / FORCE 22 / FORCE CX1 / RIVAL 22 / RIVAL 1/ 700 B1  
HRD / HRR - SHIFTERS / BRAKE LEVERS**



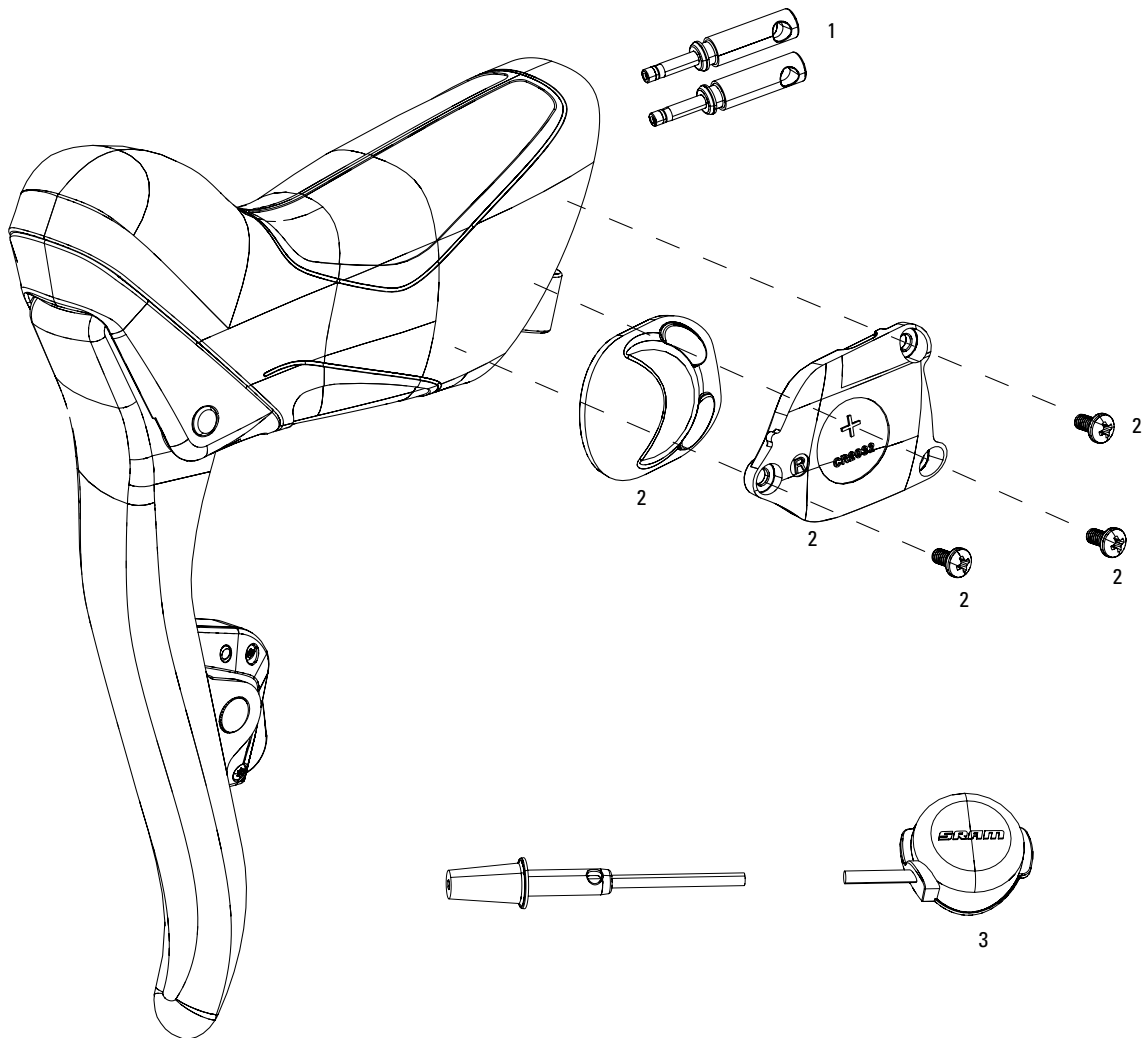
2000mm Length Hose

**NOTES:**

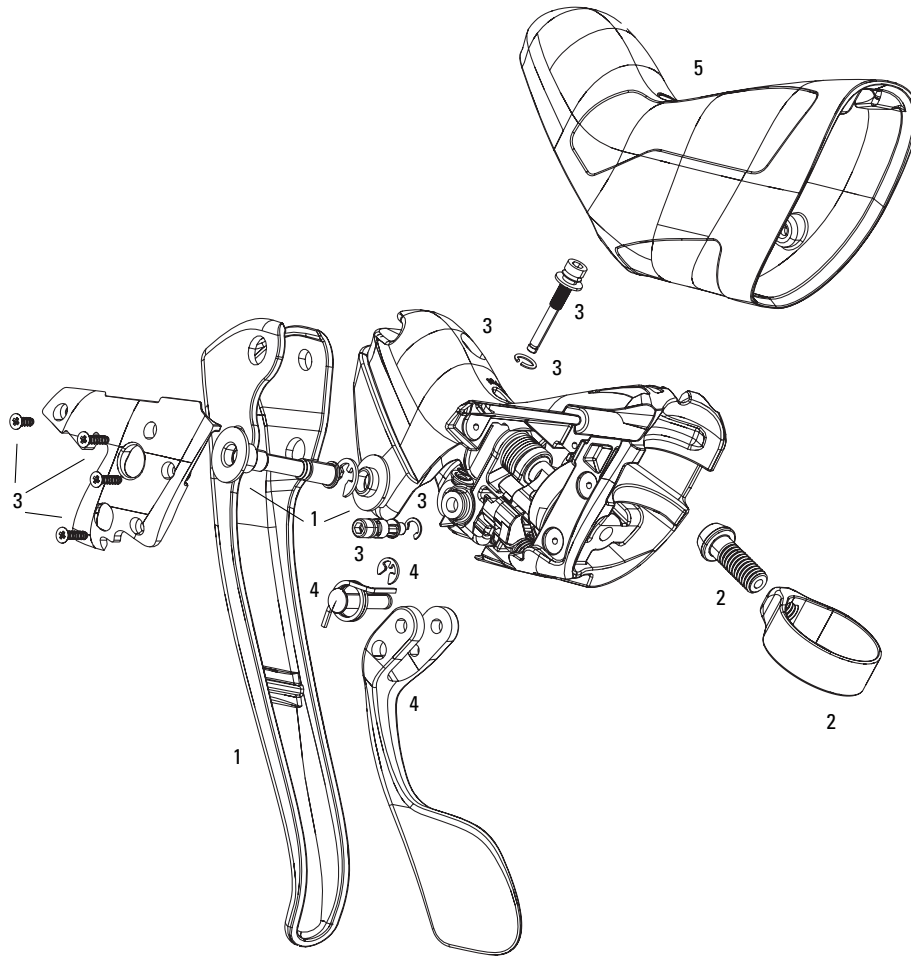
1. Hydraulic Road Exchange includes 2000mm of hose.

**Part Number Description**

11.7018.043.000	Red 22 Hydraulic Road Rear Shifter Lever Exchange
11.7018.043.001	Force 22 Hydraulic Road Rear Shifter Lever Exchange
11.7018.043.002	Rival 22 Hydraulic Road Rear Shifter Lever Exchange
11.7018.043.003	S700 Hydraulic Road Rear Shifter Lever Exchange
11.7018.046.000	Red 22 Hydraulic Road Front Shifter Lever Exchange
11.7018.046.001	Force 22 Hydraulic Road Front Shifter Lever Exchange
11.7018.046.002	Rival 22 Hydraulic Road Front Shifter Lever Exchange
11.7018.046.003	S700 Hydraulic Road Front Shifter Lever Exchange
11.5218.000.000	Force CX1 Hydraulic Road Front Brake Lever Exchange
11.5218.002.000	Rival1 Hydraulic Road Front Brake Lever Exchange



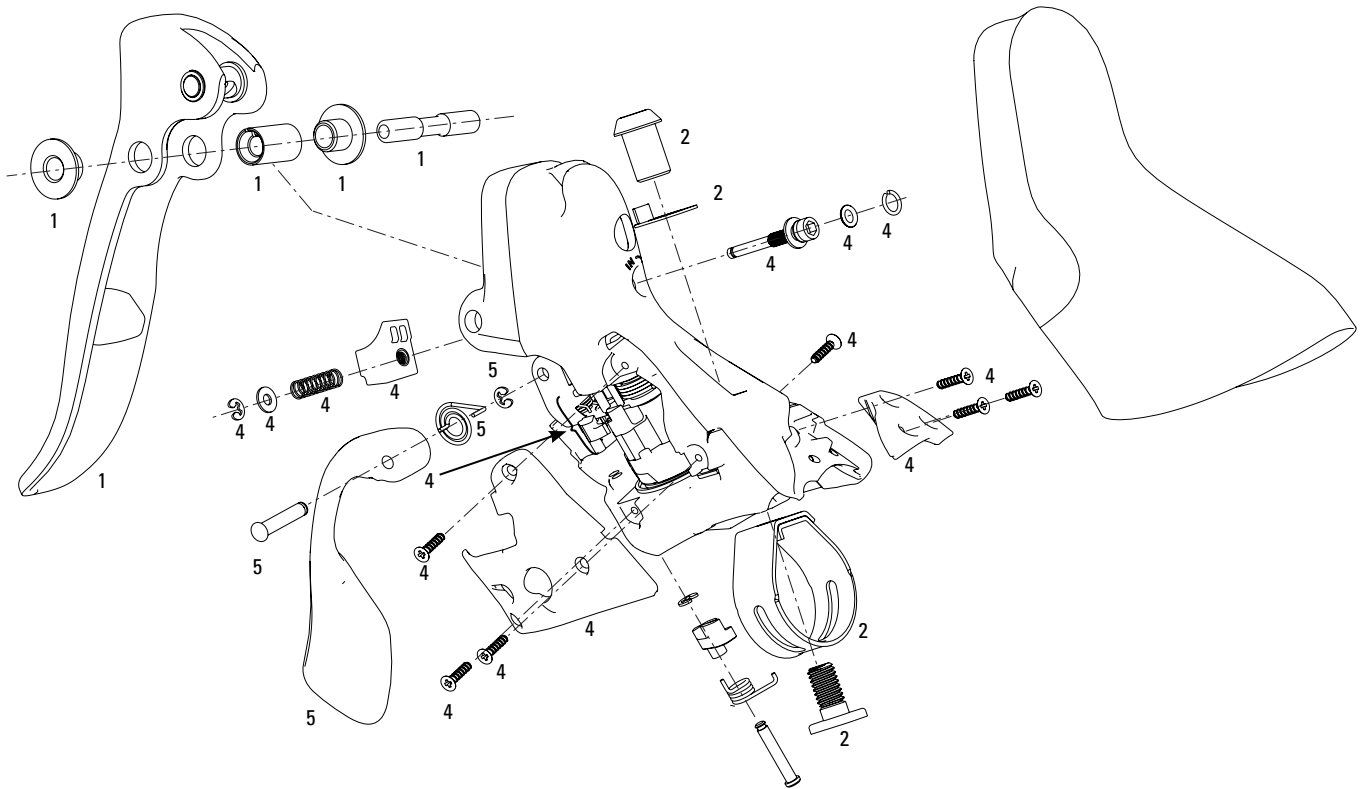
No.	Part Number	Description
1	11.7018.049.000	Red eTap Blip Dummy Plug Shifter/Blip Box Qty 2
2	11.7018.050.000	Red eTap Shifter Battery Hatch and Screws Left
2	11.7018.051.000	Red eTap Shifter Battery Hatch and Screws Right
3	00.7018.210.004	Blip for eTap 650mm Black Qty 4




---

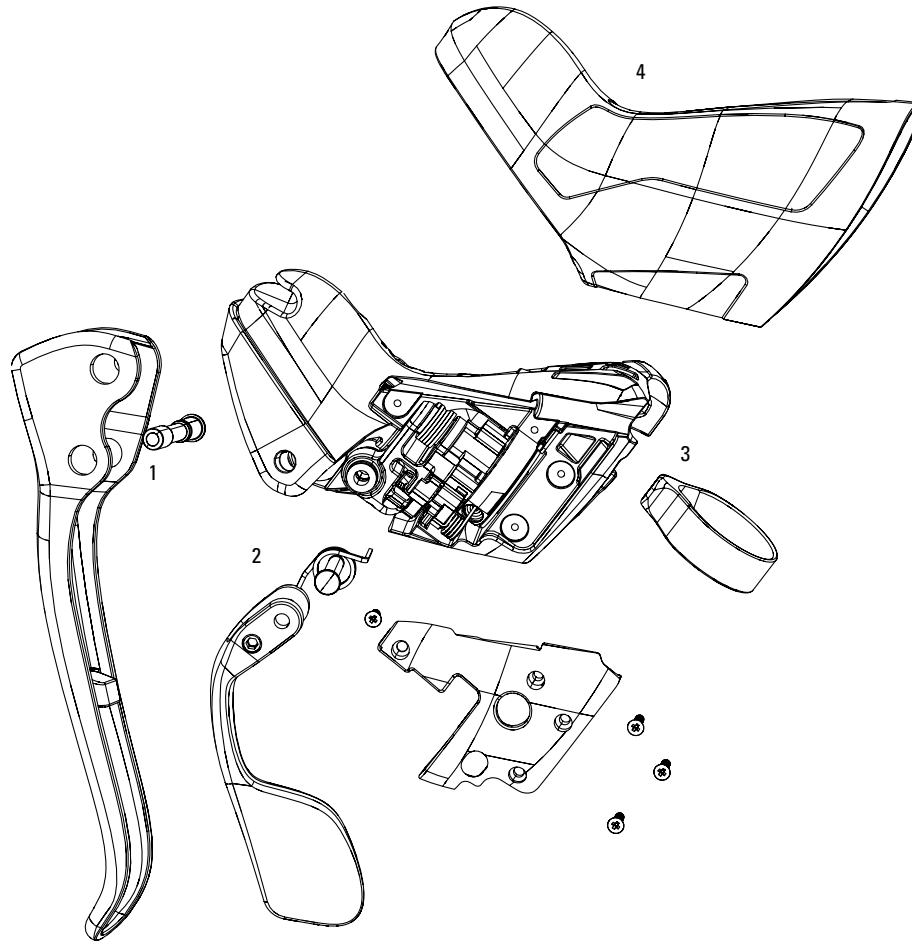
**No. Part Number Description**

1	11.7018.001.000	Red 13/22 ErgoDymanic Brake Lever Assembly Right
1	11.7018.001.001	Red 13/22 ErgoDymanic Brake Lever Assembly Left
2	11.7018.002.000	Red 13/22/Force22/Rival22/700 ErgoDynamic and Hydraulic Road Shifter Clamp Kit Pair
3	11.7018.004.000	Red 13 ErgoDymanic Shifter Body Assembly Right
3	11.7018.004.001	Red 13 ErgoDymanic Shifter Body Assembly Left
4	11.7018.005.000	Red 13/22 ErgoDymanic Shift Lever Assembly Right
4	11.7018.005.001	Red 13/22 ErgoDymanic Shift Lever Assembly Left
5	00.7918.010.000	Hood Cover Pair for Red2012, Red 22, Force 22, Rival 22 Levers, Textured, Black
5	00.7918.010.001	Hood Cover Pair for Red2012, Red 22, Force 22, Rival 22 Levers, Textured, White
5	00.7918.010.002	Hood Cover Pair for Red2012, Red 22, Force 22, Rival 22 Levers, Textured, Red



Notes:  
 1. Hoods for 2008-2011 Red are no longer available.

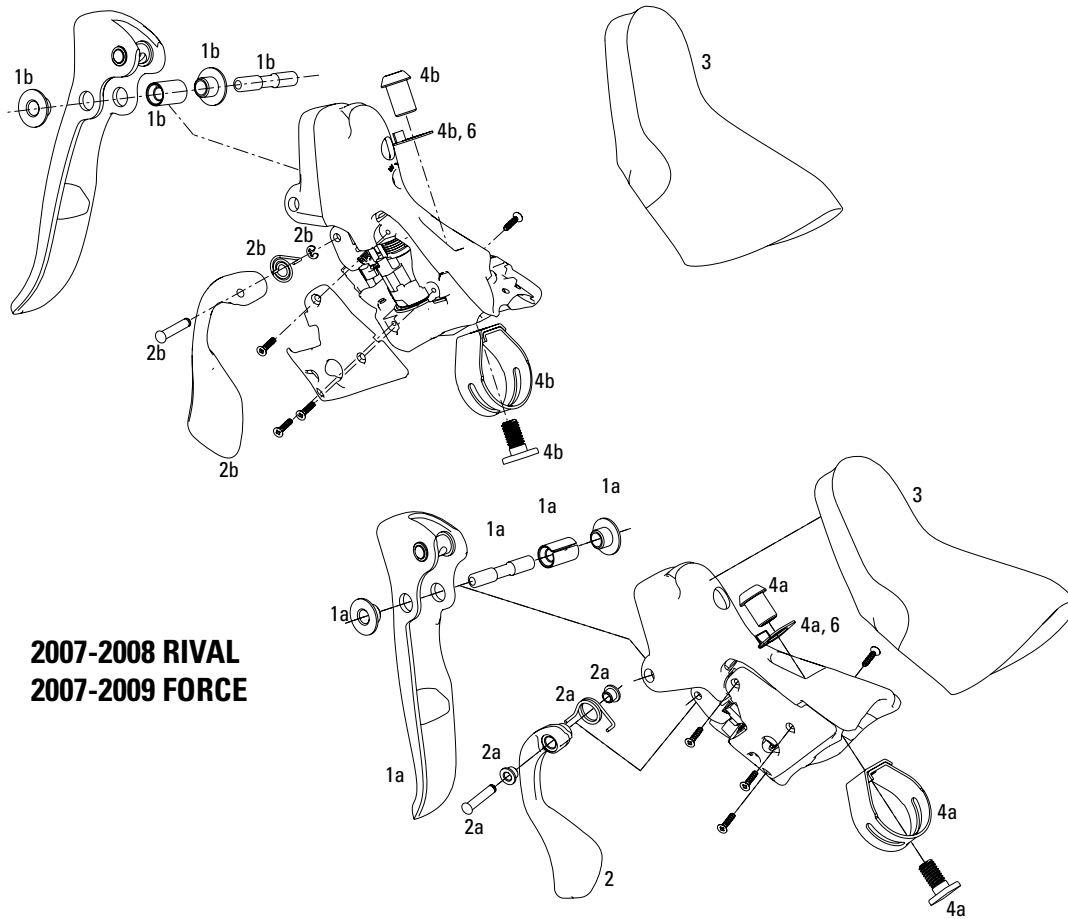
No.	Part Number	Description
1	11.5215.026.000	Red Brake Lever Assy Kit, Left
1	11.5215.026.010	Red Brake Lever Assy Kit, Right
2	11.7015.050.000	09-11 Road Shifter Clamp Kit, Pair
4	11.7015.039.000	Red Shifter Body Assy Left
4	11.7015.039.010	Red Shifter Body Assy Right
5	11.7015.040.000	Red Shifter Lever Assy Left
5	11.7015.040.010	Red Shifter Lever Assy Right
ns	11.7015.065.000	Shifter Spring, Right, RED (Qty 5)
ns	11.7015.065.010	Shifter Spring, Left, RED (Qty 5)



**No. Part Number Description**

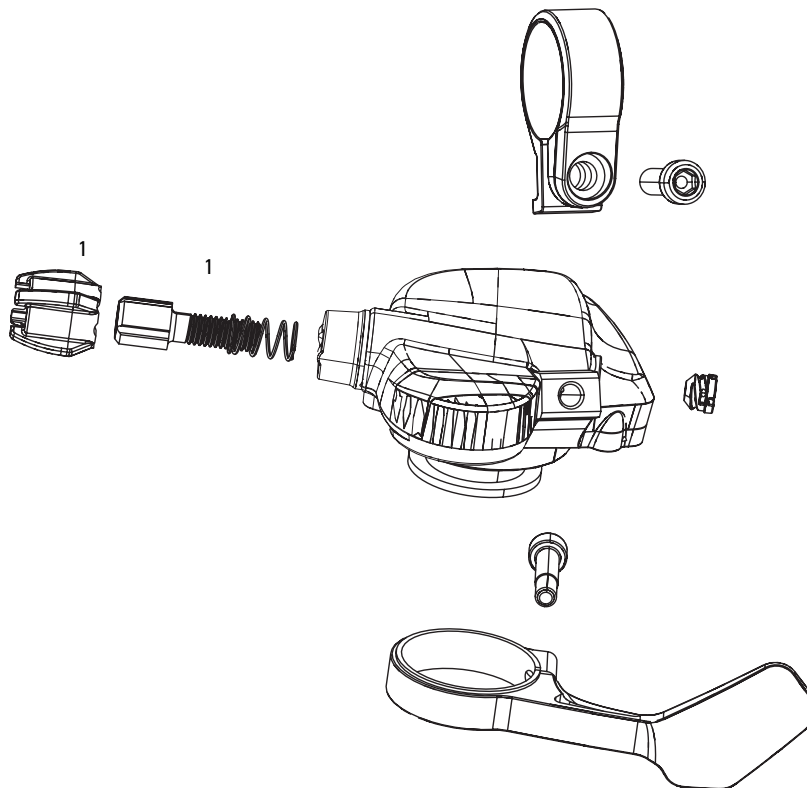
1	11.7018.047.000	Rival22 Mechanical Brake Lever Assembly Kit Left
1	11.7018.047.001	Rival22 Mechanical Brake Lever Assembly Kit Right
1	11.7018.022.000	Force22 Brake Lever Assy Kit Left
1	11.7018.022.001	Force22 Brake Lever Assy Kit Right
1	11.5218.001.000	Rival1 Brake Lever Assembly left
2	11.7018.048.000	Rival22 Mechanical Shift Lever Assembly Kit Left
2	11.7018.048.001	Rival22 Mechanical Shift Lever Assembly Kit Right
2	11.7018.023.000	Force22 Shift Lever Assy Kit Left
2	11.7018.023.001	Force22 Shift Lever Assy Kit Right
3	11.7018.002.000	Red 13 ErgoDymanic Shifter Clamp Kit Pair
4	00.7918.010.000	Hood Cover Pair for Red2012, Red 22, Force 22, Rival 22 Levers, Textured, Black
4	00.7918.010.001	Hood Cover Pair for Red2012, Red 22, Force 22, Rival 22 Levers, Textured, White
4	00.7918.010.002	Hood Cover Pair for Red2012, Red 22, Force 22, Rival 22 Levers, Textured, Red





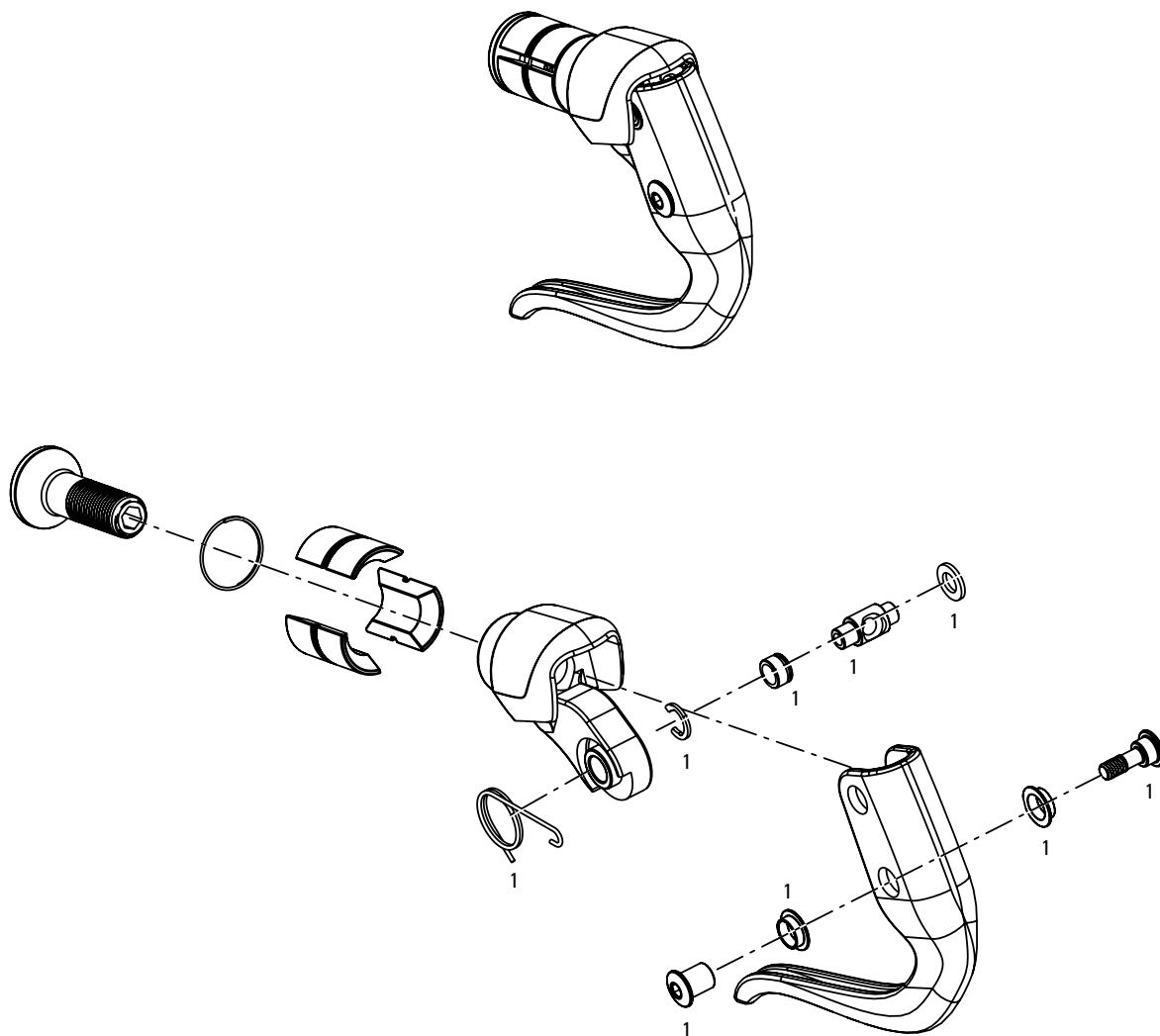
**2007-2008 RIVAL**  
**2007-2009 FORCE**

No.	Part Number	Description
1a	11.7015.052.080	2010 Force Brake Lever Assy Kit Left
1b	11.7015.052.090	2010 Force Brake Lever Assy Kit Right
1a	11.7015.052.000	11 Rival Brake Lever Assy Kit, Left
1b	11.7015.052.010	11 Rival Brake Lever Assy Kit, Right
2a	11.7015.052.040	09-11 Apex/Rival Shift Lever Assy Kit, Left
2b	11.7015.052.050	09-11 Apex/Rival Shift Lever Assy Kit, Right
3	00.7915.042.000	Hoods for Doubletap Levers Black, Pair
3	00.7915.042.010	Hoods for Doubletap Levers White, Pair
3	00.7915.042.020	Hoods for Doubletap Levers Red, Pair
4	11.7015.000.000	07-08 Rival/Force Shifter Clamp Kit, Pair
ns	11.7015.050.000	09-11 Road Shifter Clamp Kit, Pair
ns	11.7915.002.000	Rival/Force Cable Downtube Barrel Adjuster (R/L)



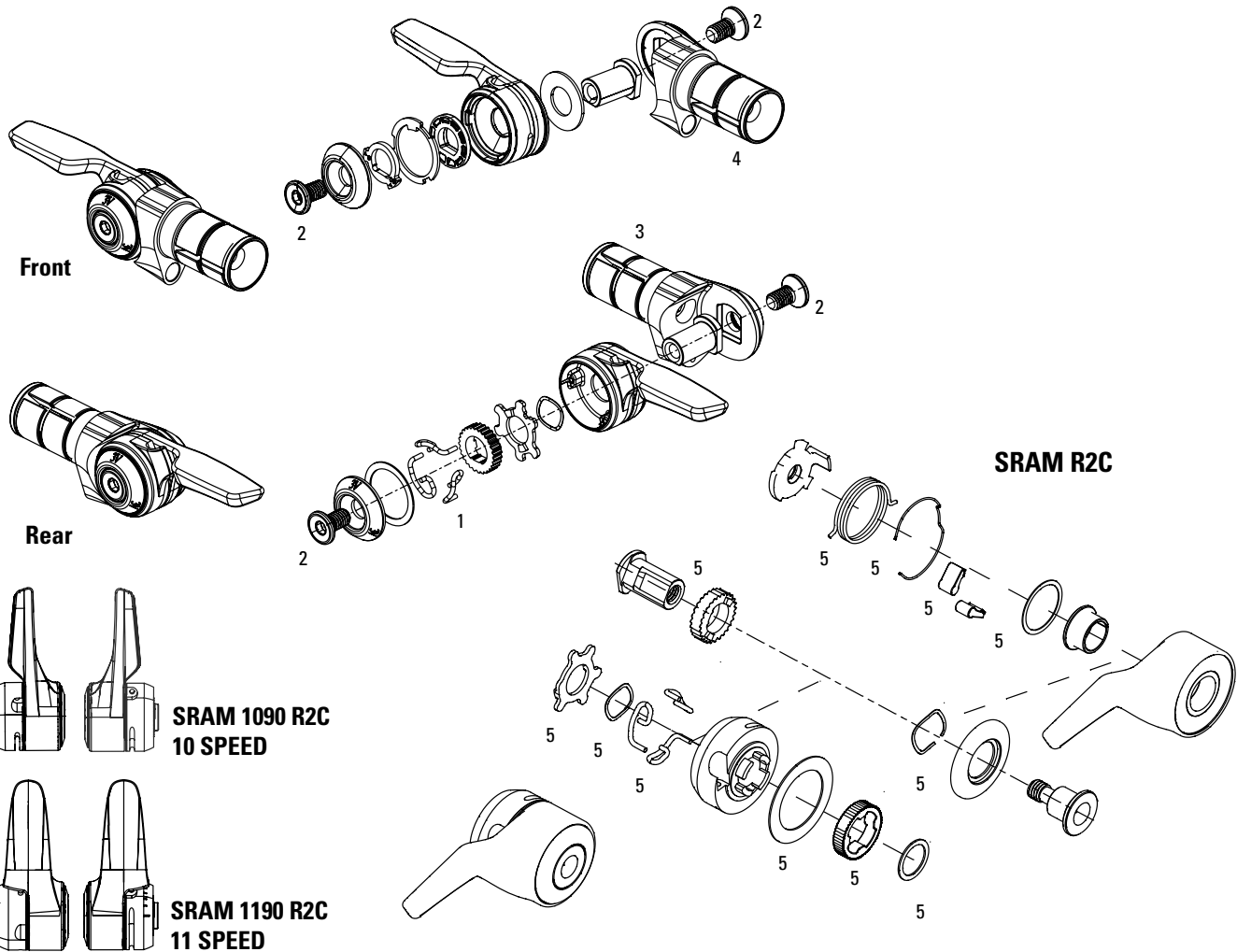
**No. Part Number Description**

1 11.7015.024.000 07-09 X0/X9 Trigger Barrel Adjuster Qty 2 (M6, 3PC)



**No. Part Number Description**

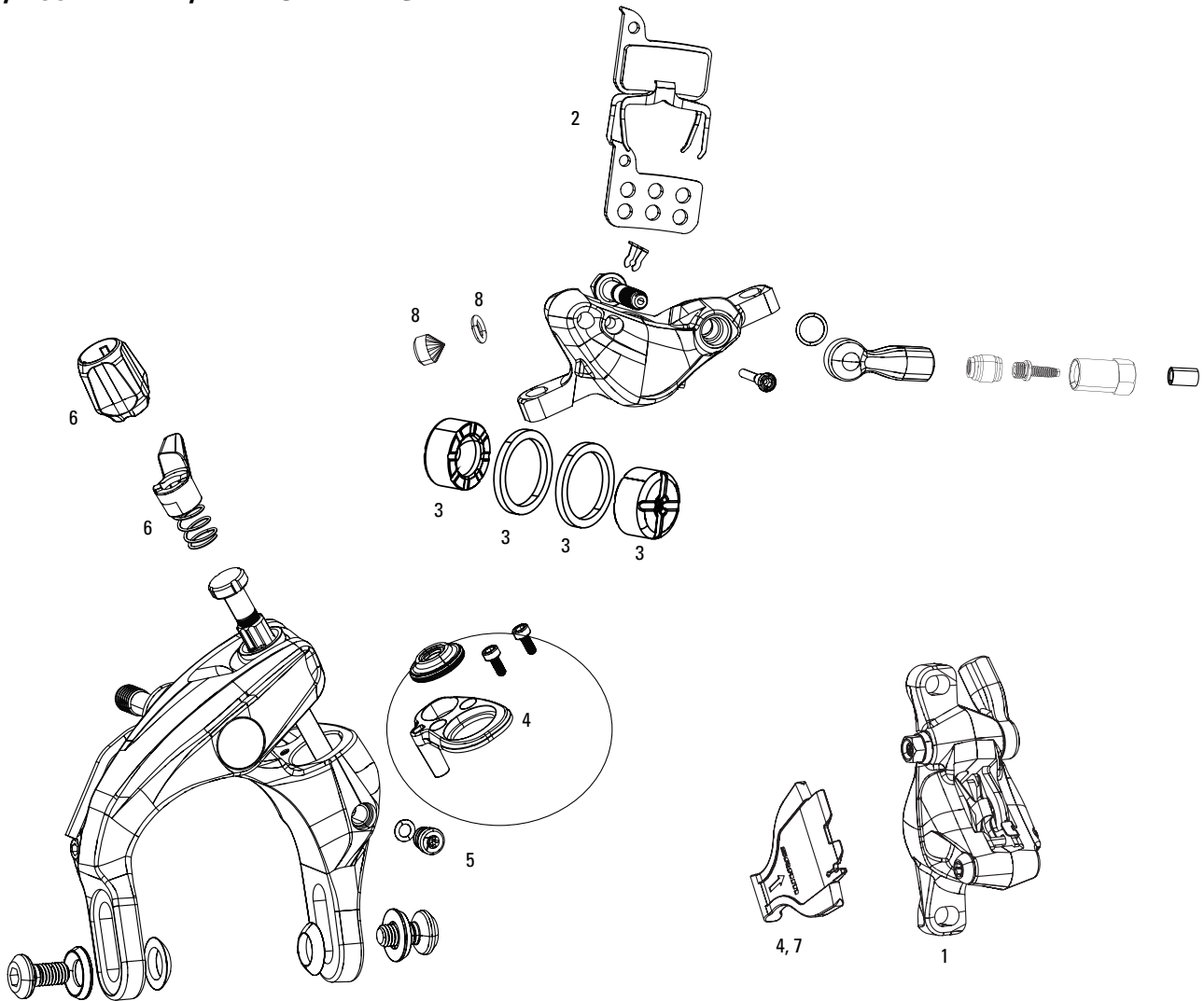
1 11.5215.024.000 TT900, TT500 Brake Lever Hardware Kit Qty 1



**No. Part Number Description**

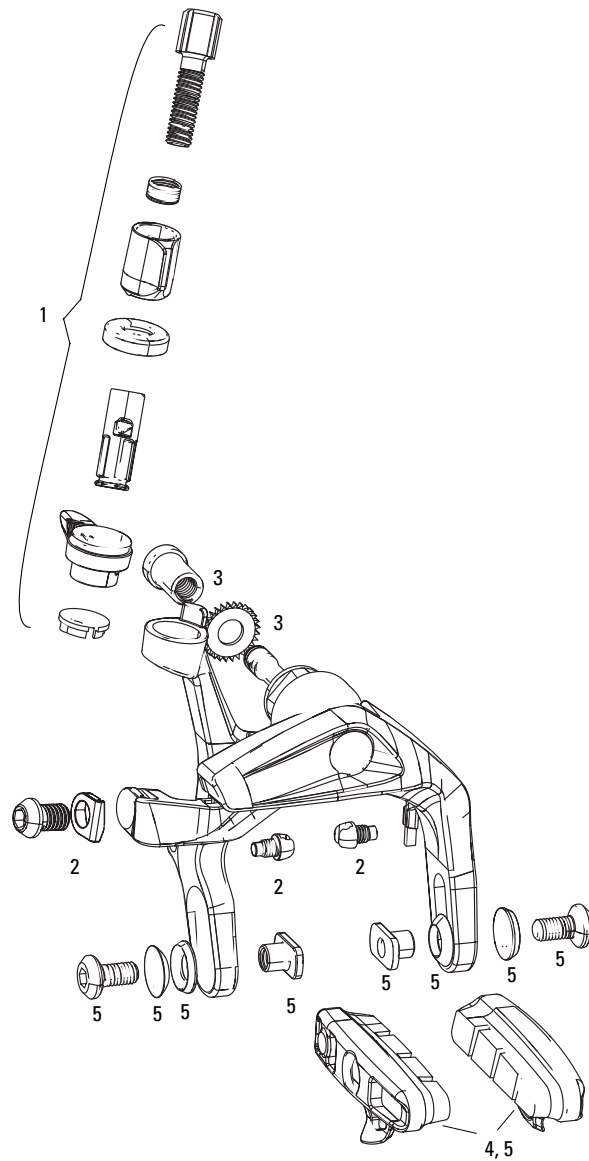
1	11.7015.036.000	TT900, TT500 Shifter Spring Kit Rear
2	11.7015.037.000	TT900, TT500 Shifter Screw Kit F/R
3	11.7015.038.000	TT900, TT500 Bar Lock Assy Rear
4	11.7015.038.010	TT900, TT500 Bar Lock Assy Front
5	11.7015.075.000	R2C Shifter Front/Rear Service Kit
ns	11.7018.040.000	R2C Front YAW Rear 11 speed Shifter Service Kit

**SRAM RED 22 B1 / FORCE 22 / FORCE 1 / CX1 / RIVAL 22  
RIVAL 1 / 700 B1 HRD / HRR CALIPERS**



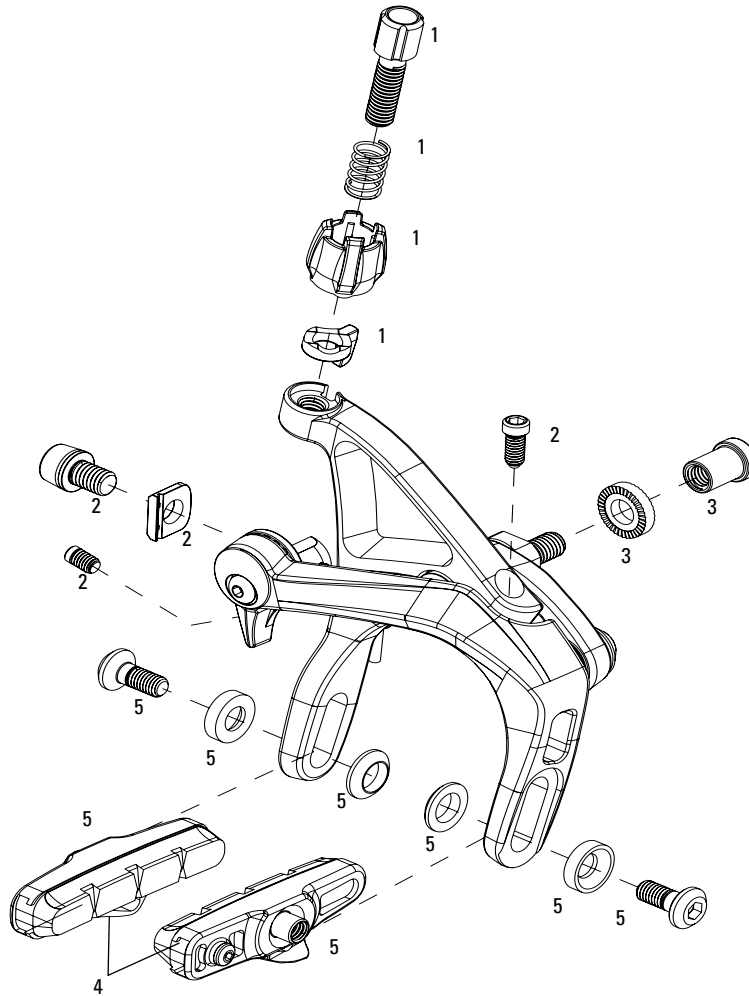
**No. Part Number Description**

1	11.5018.024.000	RED22 HRD B1 Caliper Assembly 18mm Front/Rear Grey
1	11.5018.025.000	700 HRD B1 Caliper Assembly 18mm Front/Rear Black
1	11.5018.026.000	Force22 HRD B1 Caliper Assembly 18mm Front/Rear Grey
1	11.5018.027.000	Rival22 HRD B1 Caliper Assembly 18mm Front/Rear Black
1	11.5018.039.000	Red22 HRD Flat Mount Caliper Assembly Front/Rear
1	11.5018.040.000	Force22/Force1 HRD Flat Mount Caliper Assembly Front/Rear
1	11.5018.041.000	Rival22/Rival1 HRD Flat Mount Caliper Assembly Front/Rear
2	11.5018.028.000	Red 22 700 B1 Pad Spreader QTY 20
3	11.5018.029.000	Piston Kit Caliper Red2/700 B1 18mm Rear
4	11.5118.003.000	Red22 HRR Piston and Cover Kit with Screws Qty1
5	11.5118.004.000	Red22 HRR Reservoir Bleed Screw with O-Ring
6	11.5118.005.000	Red22 HRR Barrel Adjuster and Quick Release Qty1
7	11.5015.014.060	Bleed Block Hydraulic Road Disc
8	11.5015.069.010	Set Screw & O-Ring (Banjo Bolt Bleed) Qty 20
ns	11.5018.031.000	Hydraulic Road Disc Brake Non-Connectamajig Banjo Black Qty 1
ns	11.5018.031.001	Hydraulic Road Disc Brake Non-Connectamajig Banjo Silver Qty 1



**No. Part Number Description**

1	11.5118.000.000	Red 13 Aero Link Brake Barrel Adjuster/Quick Release Qty1
2	11.5118.001.000	Red 13 Aero Link Brake Clamp Bolt/Spring Adjust Qty1
2	11.5415.017.040	Red B2 Brake Cable Clamp Bolt/Adjuster Screws, Qty 1
3	11.5415.018.000	Red Brake Center Nut/Washer (10, 12, 14, 16, 18, 20, 22, 30)
4	11.5115.000.000	Brake Pad Insert SRAM Road Black Qty 2
5	00.5315.013.050	Brake Pad/Holder Red Black Pair
ns	00.7918.011.000	SRAM Red Brake Centering Wrench, 13mm (2013)

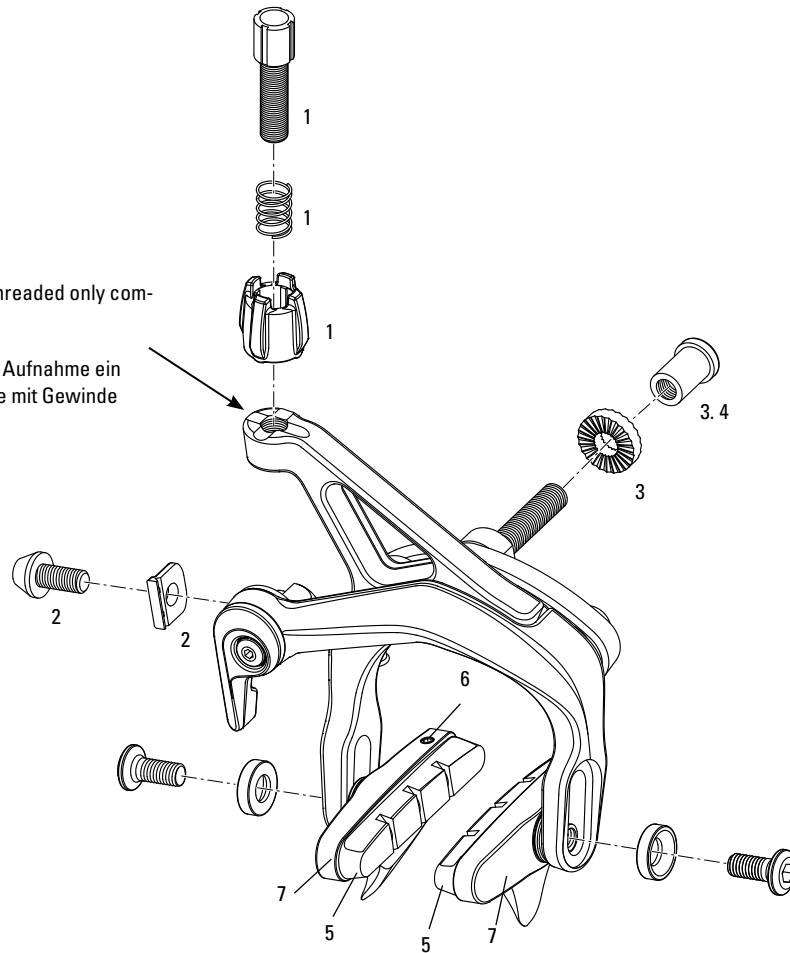


**No. Part Number Description**

- 1 11.5415.016.000 Red/11 Force Brake Barrel Adjuster
- 2 11.5415.017.030 Red Black Brake Cable Clamp Bolt/Adjuster Screws, Qty 1
- 3 11.5415.018.000 Red Brake Center Nut/Washer (10, 12, 14, 16, 18, 20, 22, 30)
- 4 11.5115.000.000 Brake Pad Insert SRAM Road Qty 2
- 4 11.5115.000.010 Brake Pad Insert for Carbon Rim SRAM Road Qty 2
- 5 00.5315.013.050 Brake Pad/Holder Red Black Pair

Check brake caliper before ordering. Threaded only compatible with threaded barrel adjusters.

Prüfen Sie vor einer Bestellung: hat die Aufnahme ein Gewinde, so ist nur die Einstellschraube mit Gewinde kompatibel.



**No. Part Number Description**

1	11.5315.042.000	Apex/Rival/Force Brake Barrel Adjuster Threaded, Qty 1
1	11.5415.016.000	Red/11 Force Brake Barrel Adjuster
2	11.5415.005.000	Rival/09 Force Brake Cable Clamp Bolt, Qty 1
3	11.5415.006.000	Rival/Force Brake Center Nut/Washer Kit, Qty 1
4	11.5415.007.000	Rival/Force Brake Center Nut Set (12, 16, 20, 30)
5	11.5115.000.000	Brake Pad Insert SRAM Road Qty 2
6	11.5115.003.000	Rival/Force Brake Pad Set Screw, Qty 2 (Mid-2007 And Later)
7	00.5315.013.030	Brake Pad/Holder Force Pair
7	00.5315.016.000	Brake Pad/Holder Rival Black Pair
7	00.5315.016.010	Brake Pad/Holder Apex Pair





<b>Part Number</b>	<b>Description</b>
11.6118.020.000	Red22 ExoGram Left Arm GXP 165
11.6118.020.001	Red22 ExoGram Left Arm GXP 1675
11.6118.020.002	Red22 ExoGram Left Arm GXP 170
11.6118.020.003	Red22 ExoGram Left Arm GXP 1725
11.6118.020.004	Red22 ExoGram Left Arm GXP 175
11.6118.020.005	Red22 ExoGram Left Arm GXP 1775
11.6115.537.020	Left Arm Apex GXP 1725 Mirror Black
11.6115.537.030	Left Arm Apex GXP 175 Mirror Black
11.6115.549.010	Left Arm Apex GXP 170 White
11.6115.549.020	Left Arm Apex GXP 1725 White
11.6115.549.030	Left Arm Apex GXP 175 White
11.6118.021.000	Force22 Left Crank Arm GXP 165
11.6118.021.001	Force22 Left Crank Arm GXP 170c
11.6118.021.002	Force22 Left Crank Arm GXP 1725
11.6118.021.003	Force22 Left Crank Arm GXP 175
11.6118.021.004	Force22 Left Crank Arm GXP 1775
11.6118.032.000	Force1/CX1 Left Crank Arm GXP 170
11.6118.032.001	Force1/CX1 Left Crank Arm GXP 1725
11.6118.032.002	Force1/CX1 Left Crank Arm GXP 175
11.6118.031.000	Rival22 Left Crank Arm GXP 170 Mirror Black
11.6118.031.001	Rival22 Left Crank Arm GXP 1725 Mirror Black
11.6118.031.002	Rival22 Left Crank Arm GXP 175 Mirror Black
11.6118.041.000	Rival1 Left Crank Arm GXP 170 Black
11.6118.041.001	Rival1 Left Crank Arm GXP 172.5 Black
11.6118.041.002	Rival1 Left Crank Arm GXP 175 Black
11.6115.504.100	Red BB30 Left Crank Arm 165
11.6115.504.110	Red BB30 Left Crank Arm 1675
11.6115.504.120	Red BB30 Left Crank Arm 170
11.6115.504.130	Red BB30 Left Crank Arm 1725
11.6115.504.140	Red BB30 Left Crank Arm 175
11.6115.504.150	Red BB30 Left Crank Arm 1775
11.6118.044.000	Red C2 Left Crank Arm GXP 165
11.6118.044.001	Red C2 Left Crank Arm GXP 1675
11.6118.044.002	Red C2 Left Crank Arm GXP 170
11.6118.044.003	Red C2 Left Crank Arm GXP 1725
11.6118.044.004	Red C2 Left Crank Arm GXP 175
11.6118.044.005	Red C2 Left Crank Arm GXP 1775



Part Number	Description
11.6118.023.000	S100 Left Crank Arm GXP 165 Mirror Black
11.6118.023.001	S100 Left Crank Arm GXP 170 Mirror Black
11.6118.023.002	S100 Left Crank Arm GXP 1725 Mirror Black
11.6118.023.003	S100 Left Crank Arm GXP 175 Mirror Black
11.6115.538.020	Left Arm S100 / S150 175 Power Spline Blast Black
11.6118.022.000	S300 Left Crank Arm GXP 165 Mirror Black
11.6118.022.001	S300 Left Crank Arm GXP 170 Mirror Black
11.6118.048.000	Left Crank Arm S350-1 GXP 170mm Mirror Black
11.6118.048.010	Left Crank Arm S350-1 GXP 1725mm Mirror Black
11.6118.048.020	Left Crank Arm S350-1 GXP 175mm Mirror Black
11.6115.504.310	Left Arm S900/S950 GXP 170 Carbon
11.6115.504.320	Left Arm S900/S950 GXP 172.5 Carbon
11.6115.504.330	Left Arm S900/S950 GXP 175 Carbon
11.6115.504.340	Left Arm S900/S950 GXP 177.5 Carbon
11.6115.541.000	Left Arm S1000 GXP 170 Blast Black
11.6115.542.000	Left Arm S1400 GXP 170 Blast Black



Part Number	Description
11.6215.172.000	Chain Ring SS/Road 44T 130 Alum 3mm Blast Black
11.6215.197.110	Chain Ring SS/Road Track 48T V1 130 AL3 Black
11.6215.197.000	Chain Ring Road Aero 42T B 10 or 11 speed V4 130 Alum 3mm Black (55-42, 54-42)
11.6215.197.010	Chain Ring Road 39T V2 130 Alum 3mm Black (53-39, 48-39)
11.6215.197.020	Chain Ring Road 34T V1 110 Alum 3mm Black (50-34)
11.6215.197.120	Chain Ring Road 46T V1 130 Alum 4mm Black (46-38)
11.6215.197.140	Chain Ring Road 38T V1 130 Alum 3mm Black (46-38)
11.6215.197.150	Chain Ring Road 38T V1 110 Alum 3mm Black (52-38)
11.6215.197.160	Chain Ring Road 36T V3 110 Alum 3mm Black (50-36, 52-36, 46-36)
11.6215.197.180	Chain Ring Road 46T S1 110 Alum 4mm Black Long Pin (Force GXP, Rival, Apex, S350, S550)
11.6215.197.190	Chain Ring Road 46T S1 110 Alum 4mm Black Short Pin (Red, Force BB30, S950)
11.6215.198.000	Chain Ring Road Red 53T S1 130 Alum 4mm Black
11.6215.198.010	Chain Ring Road Red 50T S1 110 Alum 4mm Black(50-34)
11.6215.198.020	Chain Ring Road Red TT 53T S1 Non-Hidden Bolt 130 Alum 4mm Black
11.6215.198.030	Chain Ring Road Red TT 54T S1 Non-Hidden Bolt 130 Alum 4mm Black
11.6215.198.040	Chain Ring Road Red TT 55T S1 Non-Hidden Bolt 130 Alum 4mm Black
11.6215.198.050	Chain Ring Road Red 52T S1 110 Alum 4mm Black (52-36, 52-38)
11.6218.000.000	Chain Ring Road Red X-Glide R 53T Yaw S2 Hidden Bolt 130 Alum 5mm Falcon Grey (53-39)
11.6218.000.001	Chain Ring Road Red X-Glide R 39T Yaw S1 130 Alum 3mm BlastBlack (53-39)
11.6218.001.000	Chain Ring Road Red X-Glide R 50T Yaw S2 Hidden Bolt 110 Alum 5mm Falcon Grey (50-34)
11.6218.001.001	Chain Ring Road Red X-Glide R 34T Yaw S1 110 Alum 3mm BlastBlack (50-34)
11.6218.002.000	Chain Ring Road X-Glide R 53T Yaw S2 Non-Hidden Bolt 130 Alum 5mm Falcon Grey (53-39)
11.6218.003.000	Chain Ring Road X-Glide R 50T Yaw S2 Non-Hidden Bolt 110 Alum 5mm Falcon Grey (50-34)
11.6218.005.000	Chain Ring Road Red TT 55T S1 Hidden Bolt 130 Alum 4mm Falcon Grey
11.6218.009.000	Chain Ring Road Red22 X-Glide R 53T Yaw 11 Speed S3 Hidden Bolt/Non-Hidden Bolt 130 Alum 5mm Falcon Grey BB30 or GXP (53 39)
11.6218.009.001	Chain Ring Road Force22 X-Glide R 53T Yaw 11 Speed S3 HiddenBolt/Non Hidden Bolt 130 Alum 5mm Blast Black BB30 or GXP(53-39)
11.6218.009.005	Chain Ring Road X-Glide R 39T Yaw 11 Speed S2 130 Alum 3mm Blast Black (53-39)
11.6218.009.006	Chain Ring Road X-Glide R 55T Yaw 11 Speed S3 HiddenBolt/NonHidden Bolt 130 Alum 5mm Blast Black BB30 or GXP (55-42)
11.6218.010.000	Chain Ring Road Red22 X-Glide R 50T Yaw 11 Speed S3 Hidden Bolt/Non-Hidden Bolt 110 Alum 5mm Falcon Grey BB30 or GXP (50 34)
11.6218.010.001	Chain Ring Road Force22 X-Glide R 50T Yaw 11 Speed S3 HiddenBolt/Non Hidden Bolt 110 Alum 5mm Blast Black BB30 or GXP (50-34)
11.6218.010.002	Chain Ring Road X-Glide R 46T Yaw 11 Speed S2 Hidden Bolt/Non/Hidden Bolt 110 Alum 5mm Blast Black BB30 or GXP (46/36)
11.6218.010.008	Chain Ring Road Red X-Glide R 34T Yaw 11 Speed S2 110 Alum 3mm Blast Black (50-34)
11.6218.010.009	Chain Ring Road Red X-Glide R 36T Yaw 11 Speed S1 110 Alum 3mm Blast Black (52-36, 46-36)
11.6218.010.010	Chain Ring Road Red22 X-Glide R 52T Yaw 11 Speed S3 Hidden Bolt/Non-Hidden Bolt 110 Alum 5mm Falcon Grey BB30 or GXP (52 36)
11.6218.010.011	Chain Ring Road Force22 X-Glide R 52T Yaw 11 Speed S3 HiddenBolt/Non Hidden Bolt 110 Alum 5mm Blast Black BB30 or GXP (52-36)
11.6218.016.000	Chain Ring Road X-Glide R 52T Yaw 11 Speed S2 Hidden Bolt/Non-Hidden Bolt 110 Alum 5mm Silver BB30 or GXP (52-36)
11.6218.016.001	Chain Ring Road X-Glide R 50T Yaw 11 Speed S3 Hidden Bolt/Non-Hidden Bolt 110 Alum 5mm Silver BB30 or GXP (50-34)
11.6218.019.000	Chain Ring X-Sync 48T 110BCD Alum 7mm Black 11 speed
11.6218.019.001	Chain Ring X-Sync 50T 110BCD Alum 7mm Black 11 speed
11.6218.020.000	Chain Ring X-Sync 52T 11 Speed 130 Alum Argon Grey BB30 or GXP
11.6218.020.001	Chain Ring X-Sync 54T 11 Speed 130 Alum Argon Grey BB30 or GXP
11.6218.015.000	Chain Ring X-Sync 38T 11 Speed 110 Alum Argon Grey BB30 or GXP
11.6218.015.001	Chain Ring X-Sync 40T 11 Speed 110 Alum Argon Grey BB30 or GXP
11.6218.015.002	Chain Ring X-Sync 42T 11 Speed 110 Alum Argon Grey BB30 or GXP
11.6218.015.003	Chain Ring X-Sync 44T 11 Speed 110 Alum Argon Grey BB30 or GXP
11.6218.015.004	Chain Ring X-Sync 46T 11 Speed 110 Alum Argon Grey BB30 or GXP
11.6218.015.005	Chain Ring X-Sync 48T 11 Speed 110 Alum Argon Grey BB30 or GXP
11.6218.015.006	Chain Ring X-Sync 50T 11 Speed 110 Alum Argon Grey BB30 or GXP
11.6215.197.170	Chain Ring Road 30T Triple V4 74 Alum Black (52-39-30, 50-39 30)
11.6215.197.080	Chain Ring Road 48T V2 110 Alum 4mm Black BB30 Short Pin (48 34)
11.6215.197.090	Chain Ring Road 48T V2 110 Alum 4mm Black GXP Long Pin (48-34)
11.6215.197.060	Chain Ring Road 50T B V2 110 Alum 4mm Black (50-34)
11.6215.197.050	Chain Ring Road 50T A V4 110 Alum 4mm Black (50-36)
11.6215.197.130	Chain Ring Road 39T V4 130 Triple Alum 3mm Black (52-39-30,50-39-30)
11.6215.197.070	Chain Ring Road 50T Triple V1 130 Alum 4mm Black (50-39-30)
11.6215.197.040	Chain Ring Road 52T B Triple V2 130 Alum 4mm Black (52-39-30)
11.6215.197.030	Chain Ring Road 53T V4 130 Alum 4mm Black


**SPIDERS**

Part Number	Description
11.6918.000.000	Chain Ring Bolt Kit Red Quarq Hidden Bolt 5-arm Steel Black
11.6918.000.001	Chain Ring Bolt Kit Red Hidden Bolt 5/arm Aluminum Black
11.6115.547.000	Spider S900 130BCD 10Speed Blast Black
11.6115.547.010	Spider S950 110BCD 10Speed Blast Black
11.6118.033.000	Spider Force22/CX1 110BCD 11Speed Blast Black
11.6118.033.001	Spider Force22/CX1 130BCD 11Speed Blast Black
11.6118.004.000	XX1 Specialized Spider with Chain Ring Bolts 76BCD 11Speed Zephyr Grey
11.6915.009.000	Chain Ring Bolt Kit 5-Arm Double Aluminum Black
11.6915.008.000	Chain Ring Bolt Kit 5-arm Double Aluminum Silver
11.6915.012.000	Chain Ring Bolt Kit 5 Steel/Black
11.6218.017.000	Spacers (Qty 5) and Hidden Bolt/Nut kit for CX1 Chainring
11.6118.027.000	Spider Bolt Kit T20 Qty 8 Quarq

**CASSETTES**

11.2418.000.000	XG1090 X-Dome Stealth Ring Set 11-23
11.2418.000.001	XG1090 X-Dome Stealth Ring Set 11-25/26
11.2418.000.002	XG1090 X-Dome Stealth Ring Set 11-28
11.2415.013.000	Cassette Lockring Aluminum OG1070, PG970 For 12T
11.2415.027.000	Cassette PG1050, PG1030, PG950 Lockring 11T Steel
11.2415.027.010	Cassette PG1050, PG950 Lockring 12T Steel
11.2415.022.000	Cassette Lockring Aluminum PG990, PG970 Dh for 11T Red
11.2418.001.000	XG1190 X-Dome Stealth Ring Set 11-25/26
11.2418.001.001	XG1190 X-Dome Stealth Ring Set 11-28
11.2418.002.000	XG1190 Cassette Lockring 11t 11speed Aluminum
11.2418.003.000	PG1170 Cassette Lockring 11t 11speed Aluminum
11.2418.004.000	Cassette Lockring Steel PG1130 11-42, PG 720 11-25

**BOTTOM BRACKETS**

11.6415.007.000	Bottom Bracket Shield and Wave Washer Assembly PressFit GXP Road
11.6415.007.020	Bottom Bracket Shield and Wave Washer Assembly BB30 Bearing
11.6115.533.000	Spindle Spacer, BB30 - DS 13
11.6115.533.010	Spindle Spacer, BB30 - Drive Side 9.11
11.6115.533.020	Spindle Spacer, BB30 - Drive Side 15.46
11.6415.005.000	BB30 Spacer Kit 2 X 2.5mm
11.6900.002.160	Crank Arm Bolt M15/M26 Alloy Self-Extracting GXP Black Qty 1
11.6900.002.140	Crank Arm Bolt M15/M26 Alloy Self-Extracting GXP Silver Qty1
11.6115.115.000	Crank Arm Bolts M8 Capless Qty 2 for Square-taper & PowerSpline
11.6900.002.050	Crank Arm Bolts M15 Capless Qty 2 for ISIS & Hwtzr M15
11.6115.530.050	Crank Arm Bolt M18/M30 Alloy Self-Extracting BB30 Left (Black Red, Force) Qty 1
00.6415.032.010	Tool BB30 to BSA Adapter Removal Kit
00.6415.032.020	BB30 Bearing Install Kit
00.6415.032.030	BB30 Bearing Removal Tool
11.6415.003.000	BB30 Shim/Wave Washer Kit
11.6215.195.000	Aero Guard Via 48T Clear Smoke
11.6700.002.010	Pedal Washers Chromo, Qty 2

**SPOKES**

<b>Part Number</b>	<b>Description</b>
11.1915.000.080	Spokes & Nipples 3-pack 220mm Bladed for S80 Rear Drive side Black
11.1915.000.090	Spokes & Nipples 3-pack 236mm Bladed for S80 Front Black
11.1915.000.100	Spokes & Nipples 3-pack 246mm Bladed for S60 Rear Drive side Black
11.1915.000.110	Spokes & Nipples 3-pack 248mm Bladed for S80 Rear Non-Drive side Black
11.1915.000.160	Spokes & Nipples 3-pack 262mm Bladed for S40 Rear Drive Black
11.1915.000.130	Spokes & Nipples 3-pack 272mm Bladed for S60 Rear Non-drive side Black
11.1915.000.140	Spokes & Nipples 3-pack 276mm Bladed for S40 Front Black
11.1915.000.170	Spokes & Nipples 3-pack 290mm Bladed for S40 Rear Non-drive side Black
11.1915.016.000	Spokes & Nipples 3-pack 278mm CX for S27 Front
11.1915.016.020	Spokes & Nipples 3-pack 280mm CX for S27 Rear Non-drive side
11.1915.016.110	Spokes & Nipples 3-pack 286mm CX Sprint for S30 Sprint Rear Non-Drive side
11.1915.016.120	Spokes & Nipples 3-pack 282mm CX Ray for S30 Race Front
11.1918.027.025	Spokes & Nipples & Washers 3-pack 283mm CX-Sprint Straight-Pull External Black - Roam 60 (B1) 27.5"

**FREEHUB BODIES**

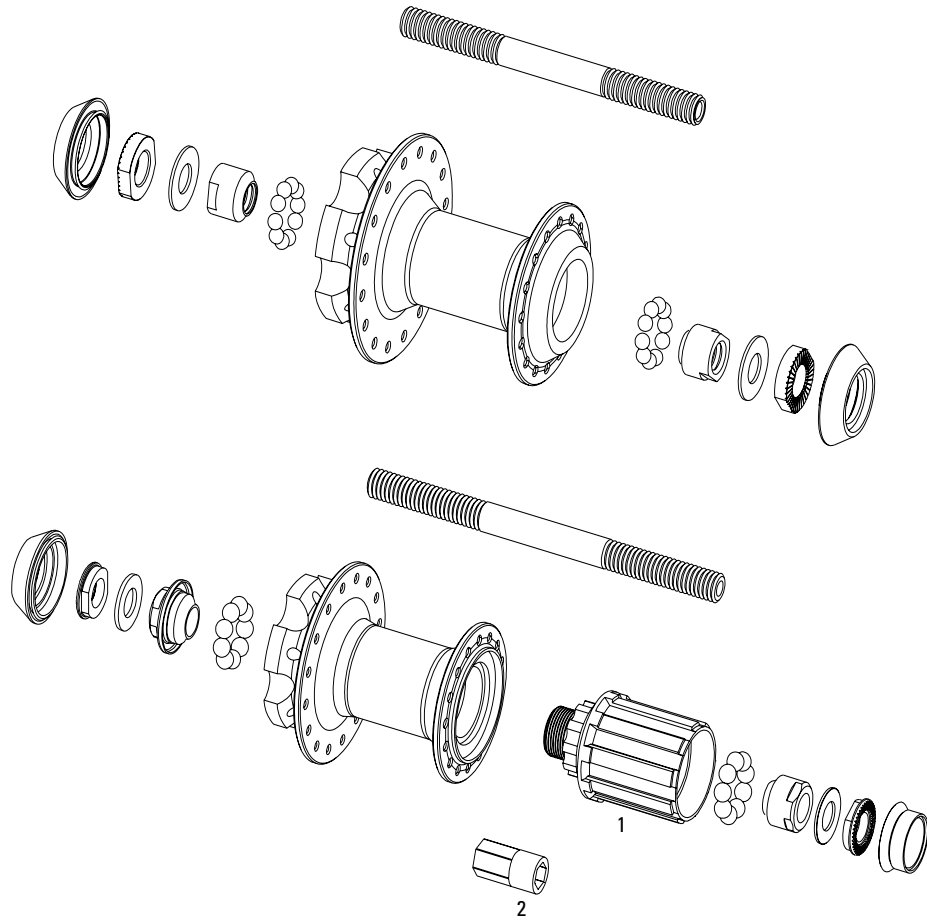
11.1915.001.000	Freehub body with seal, SRAM/Shimano spline S40/S60/S80
11.1915.017.000	Freehub body with seal, SRAM/Shimano spline S27/30

**BEARINGS**

11.1915.003.010	Hub Bearings Rear Pair S40/S60/S80
11.1915.003.020	Hub Bearings Front Pair S30/S27
11.1915.003.030	Hub Bearings Rear Pair S30/S27

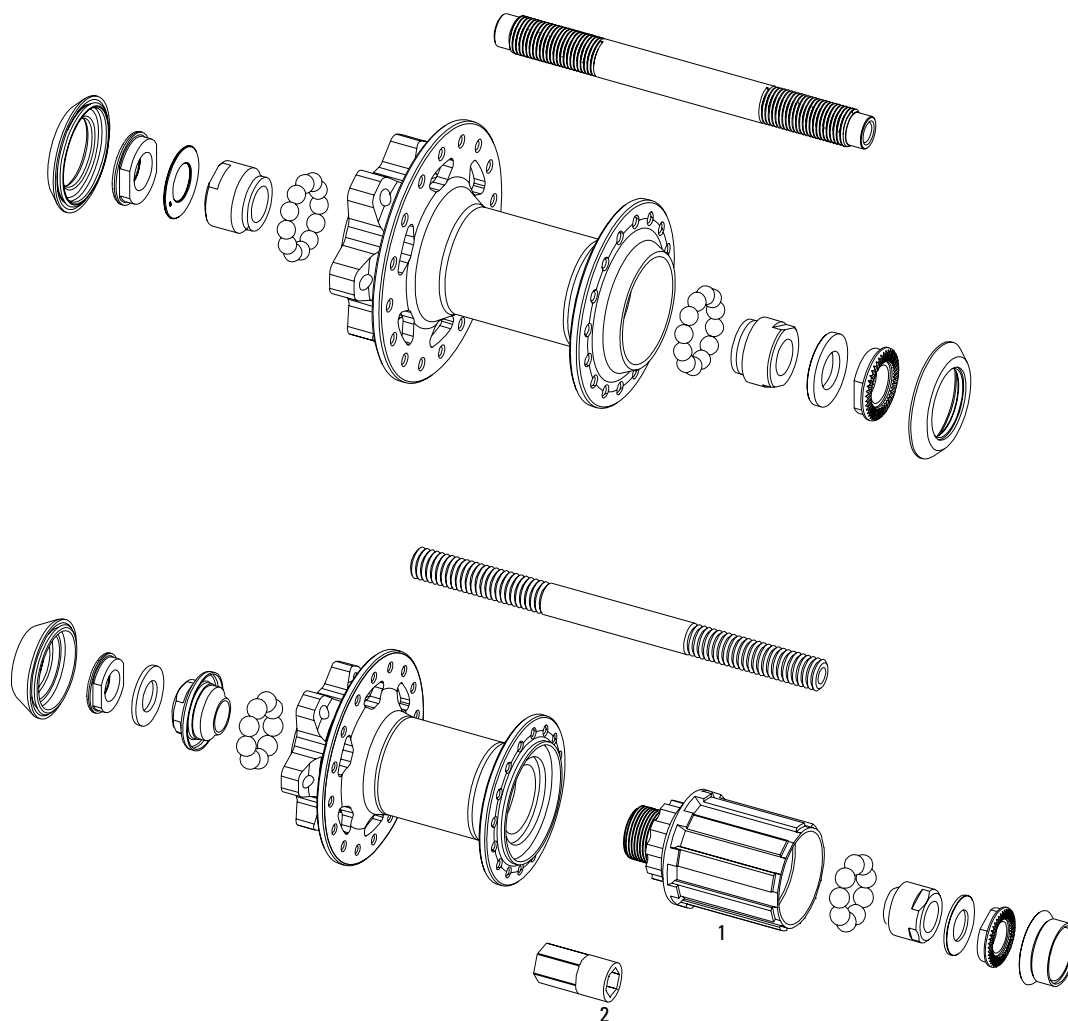
**TOOLS**

11.1915.007.000	Nipple Drive 5.5mm Socket 115mm
14.1915.006.000	Bearing removal & installation tools for S40, S60, S80 & FlashPoint Wheels
14.1915.007.000	Bearing removal & installation tools for S27/S30 Wheels



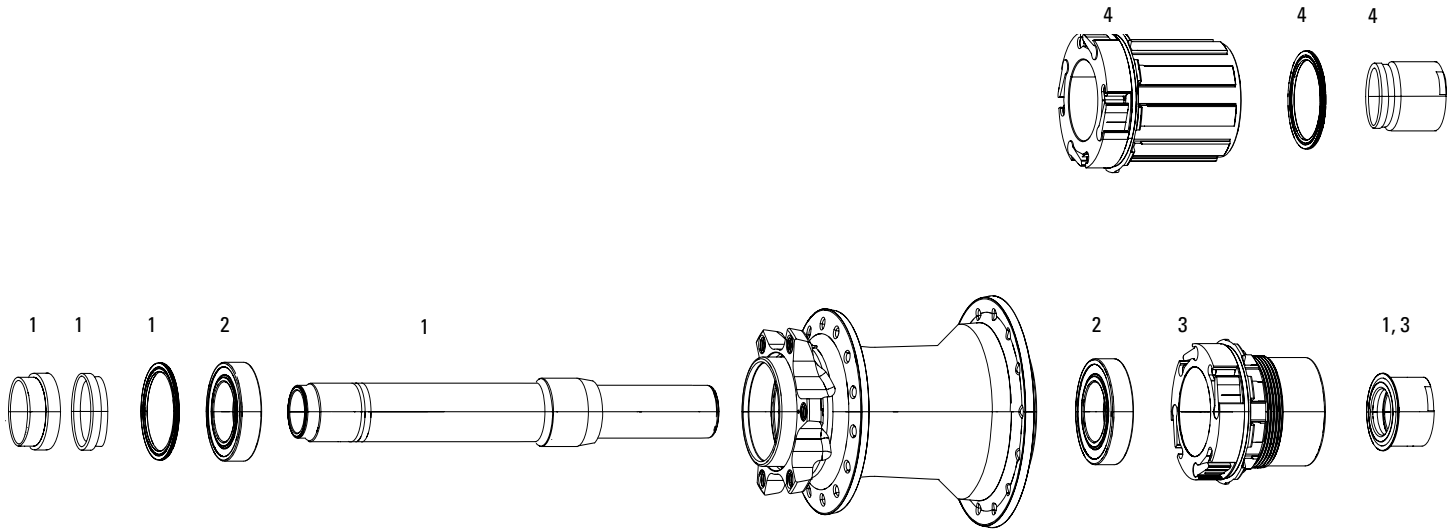
**No. Part Number Description**

- 1 11.2015.018.100 Kit Freehub Body, MTH 406
- 2 14.2015.000.000 SRAM MTB Hub FH Body Removal Tool (11mm adapter)



**No. Part Number Description**

- 1 11.2015.023.100 Kit Freehub Body, MTH 506
- 2 14.2015.000.000 SRAM MTB Hub FH Body Removal Tool (11mm adapter)



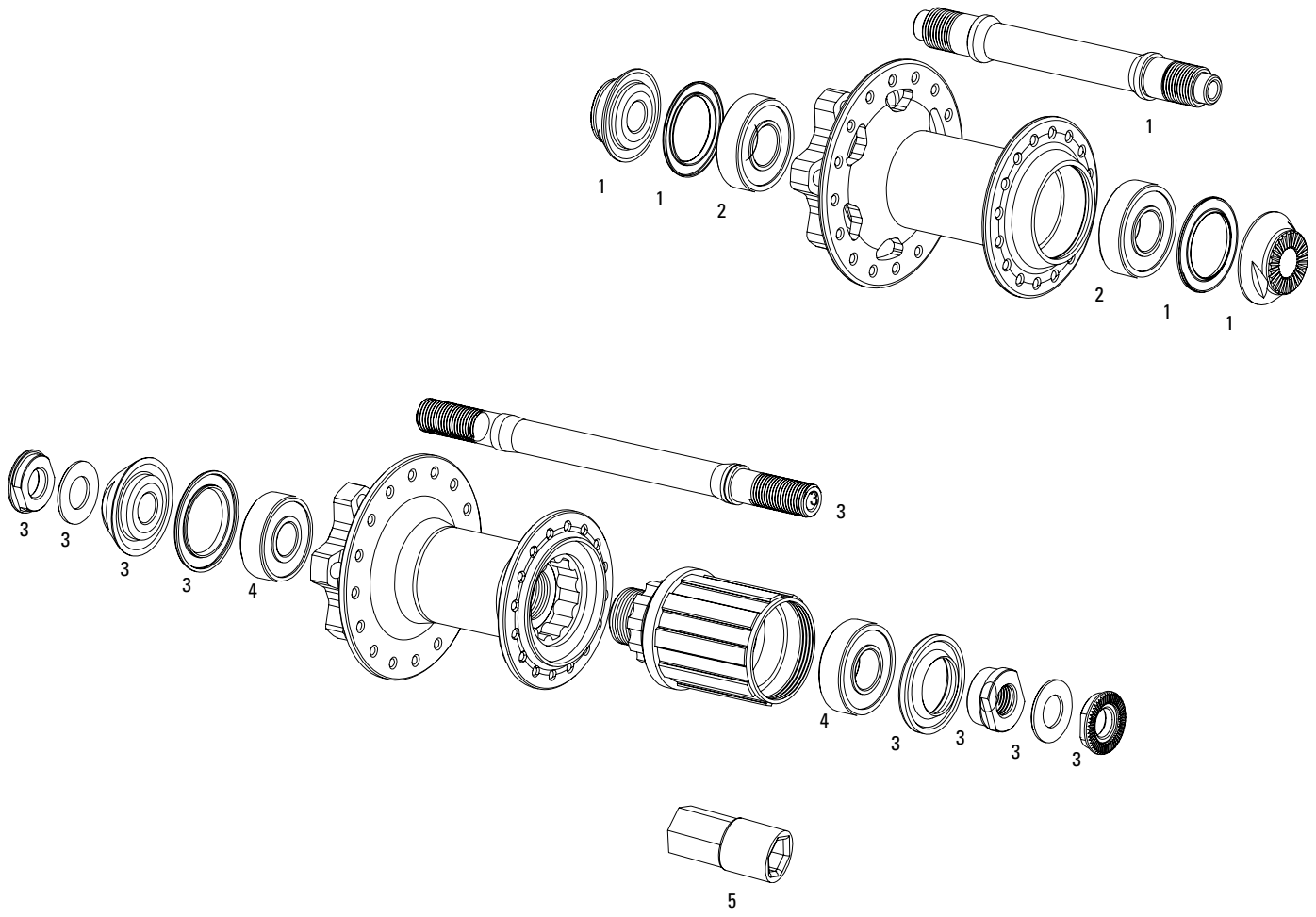
**NOTES:**

- 1. 746 hubs are not convertible from 9/10 speed Cassette body to XD Cassette Driver body
- 2. 716 hubs use 18307 bearings

**No. Part Number Description**

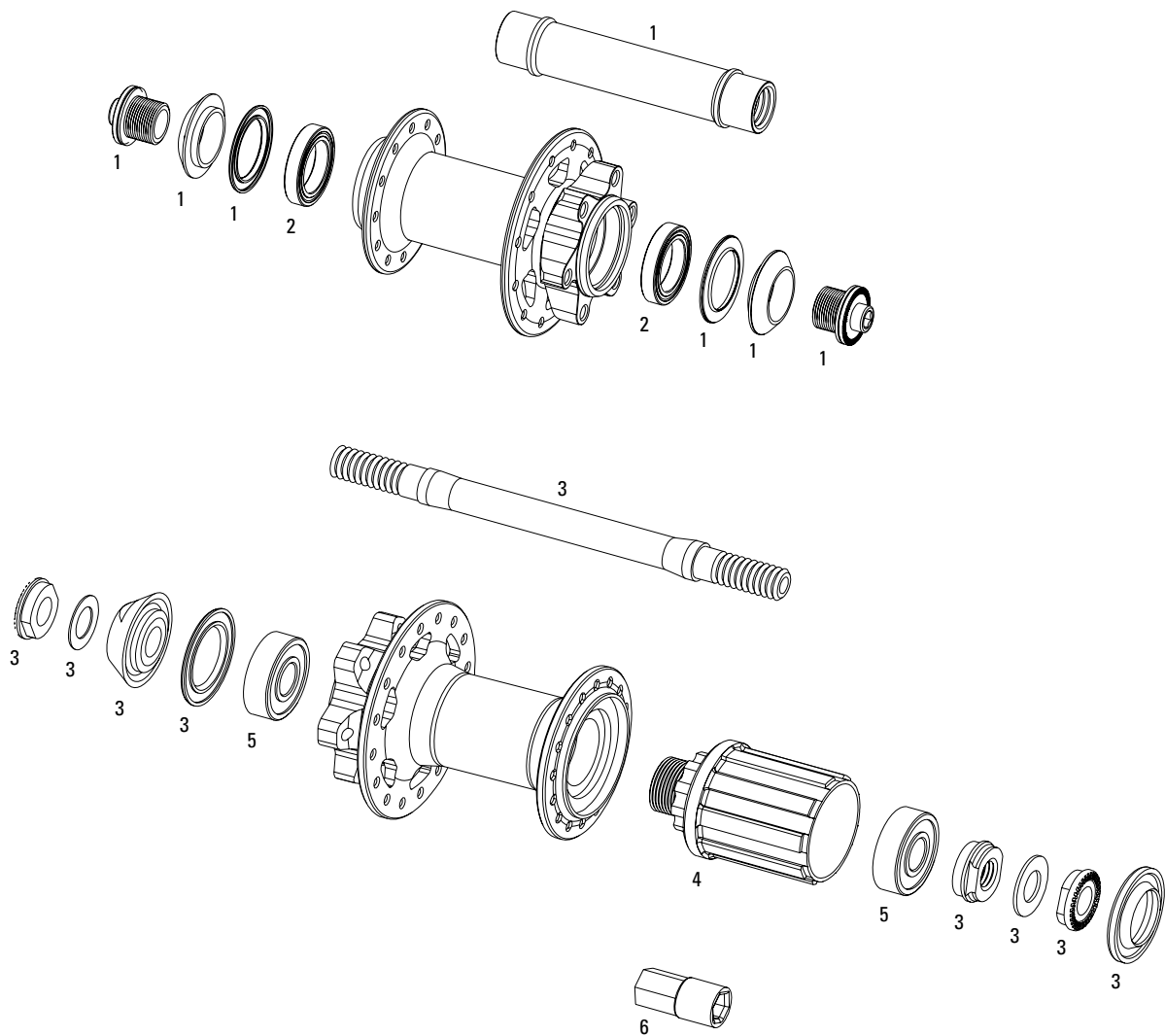
1	11.2018.026.000	Kit Complete Axle Assembly (includes axle, threaded lock nuts and end caps) - MTH-746 XD Rear
1	11.2018.027.000	Kit Complete Axle Assembly (includes axle, threaded lock nuts and end caps) - MTH-746 Cassette Rear
1	11.2018.028.000	Kit Complete Axle Assembly (includes axle, threaded lock nuts and end caps) - MTH-746 Boost Compatible XD Rear
1	11.2018.029.000	Kit Complete Axle Assembly (includes axle, threaded lock nuts and end caps) - MTH-746 Boost Compatible Cassette Rear
2	11.2018.026.002	Kit Hub Bearings MTH-746 Rear - 2-6903
3	11.2018.026.001	Kit Freehub XD Driver Body 11 Speed MTH-746
4	11.2018.027.001	Kit Freehub Cassette Body 9/10 Speed MTH-746
ns	00.1918.145.008	Conversion Caps Hub MTH 716 Front - 15 Through Axle





**No. Part Number Description**

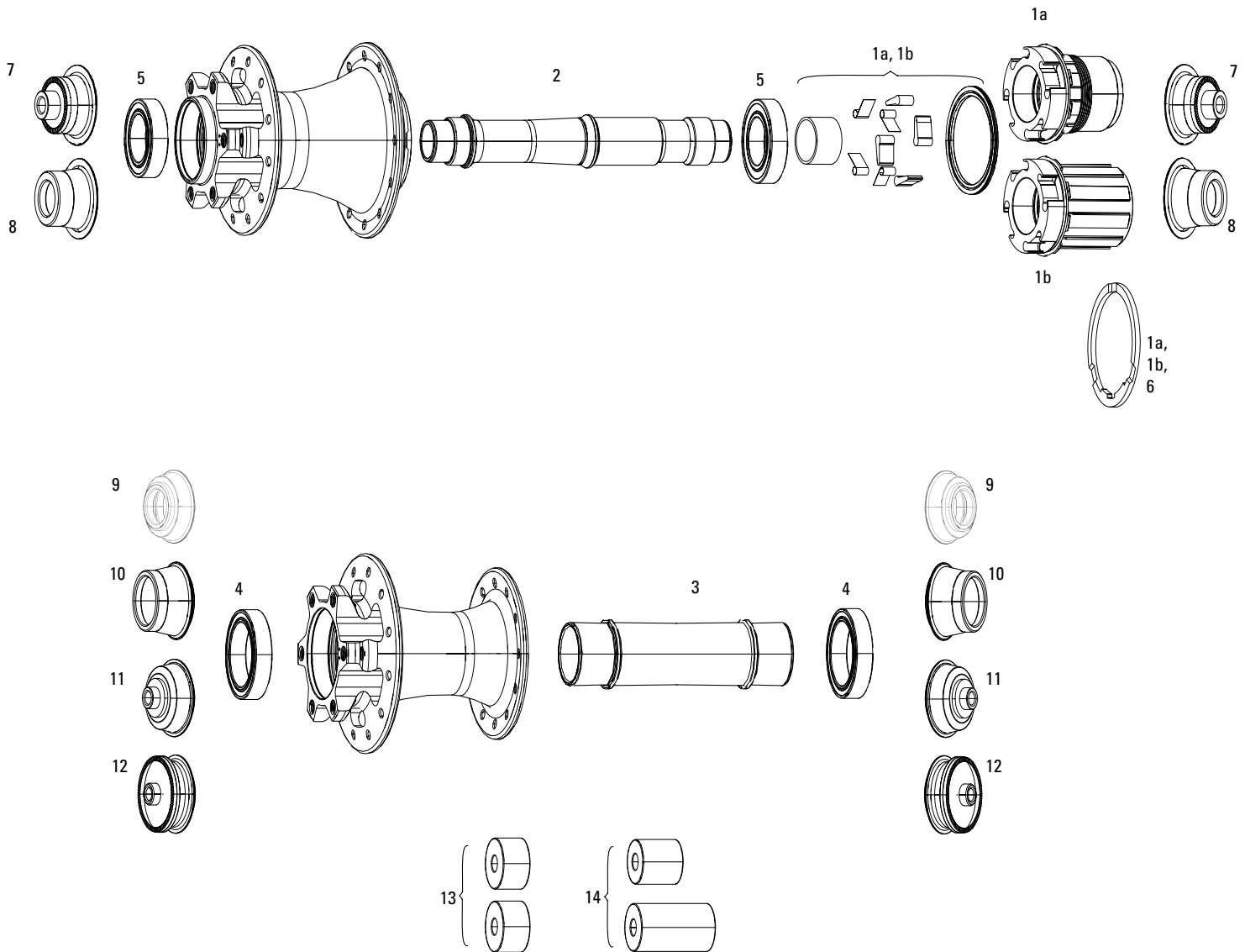
1	11.2015.020.000	Kit Axle Assembly X-7 & X-9 V2 Front
2	11.2015.024.100	Kit Hub Bearings X-7 Front, 2-6001
3	11.2015.021.000	Kit Axle Assembly X-7 Rear
4	11.2015.021.100	Kit Hub Bearings X-7 Rear, 2-6000
5	14.2015.000.000	SRAM MTB Hub FH Body Removal Tool (11mm adapter)



**No. Part Number Description**

1	11.2015.025.000	Kit Axle Assembly X-9 F 20x110
1	11.2015.026.000	Kit Axle Assembly X-9/Rise 40 F 15x100
1	11.2015.027.000	Kit Complete Axle, X-9 Front
2	11.2015.020.100	Kit Hub Bearings X-9 V2 Front, 2-6001
2	11.2015.025.100	Kit Hub Bearings X-9 20x110, 2-6804
2	11.2015.026.100	Kit Hub Bearings X-9/Rise 40 15x100, 2-6804
2	11.2015.027.100	Kit Hub Bearings, X-9 Front, 2-6803
3	11.2015.019.000	Kit Axle Assembly X-9 V2 Rear
3	11.2015.028.000	Kit Complete Axle Assembly, X-9/Rise 40 Rear
3	11.2015.029.000	Kit Axle Assembly X-9 R 12x135
3	11.2015.030.000	Kit Axle Assembly X-9/Rise 40 R 12x142
4	11.2015.019.200	Kit Freehub Body X-9 V2 Rear
4	11.2015.028.100	Kit Freehub Body, X-9/X-7/Rise 40
4	11.2015.029.100	Kit Freehub Body X-9/Rise 40 12x135/142
5	11.2015.019.100	Kit Hub Bearings X-9 V2 Rear, 1-6803, 1-6000
5	11.2015.028.200	Kit, Hub Bearings, X-9/Rise 40 Rear, 2-6000
5	11.2015.029.200	Kit Hub Bearings X-9 Rear 12x135/142, 2-6903
6	14.2015.000.000	SRAM MTB Hub FH Body Removal Tool (11mm adapter)

# 900 HUB - MTB HUB



## NOTES:

1. 900 hubs use Double Time internals.
2. 900 Hubs use XD-R Driver which requires a 1.85 cassette spacer to install XD 10-42T Cassette.

## HUB SPARE PARTS

### No. Part Number Description

1a	11.1918.000.013	Freehub Body with Bearings Double Time 11 Speed XD-R (28.6mm Long Driver) - 900
1b	11.1918.000.014	Freehub Body with Bearings Double Time 9/10/11 Speed Double Time - 900
2	11.1918.002.018	Hub Axle Rear Standard Double Time (includes axle assembly) 900
2	11.1918.002.019	Hub Axle Rear Boost Double Time (includes axle assembly) - 900 Boost
3	11.1918.002.012	Hub Axle Front - X0 Hubs/Rise 60 (B1)/Roam 30/Roam 40/Rail 40/Rise XX/900
3	11.1918.002.016	Hub Axle Front Double Time 15x110 Boost Compatible (only for Boost front hubs) - X0 A1/ Roam 30/40/Roam 60 (B1)/ 900
4	11.1918.003.030	Hub Bearing Set Front Double Time (includes 2-23327) - X0 Hubs/Rise 60 (B1)/Roam 30/Roam 40/Roam 60 (B1)/Rail 40
5	11.1918.003.040	Hub Bearing Set Rear Double Time (includes 1-6903/61903 & 1-63803D28) - X0 Hubs/Rise 60 (B1)/Roam 30/Roam 40/Roam 60 (B1)/Rail 40
ns	11.1918.003.050	Hub Bearing Set Freehub Double Time (includes 2-63803D28) - X0 Hubs/Rise 60 (B1)/Roam 30/Roam 40/Roam 60 (B1)/Rail 40
6	11.1918.008.000	Cassette Spacer 10 speed 188 SRAM Freehub 11 speed - Zipp 188/177/ SRAM 900 Hub



## AXLE CONVERSION END CAPS

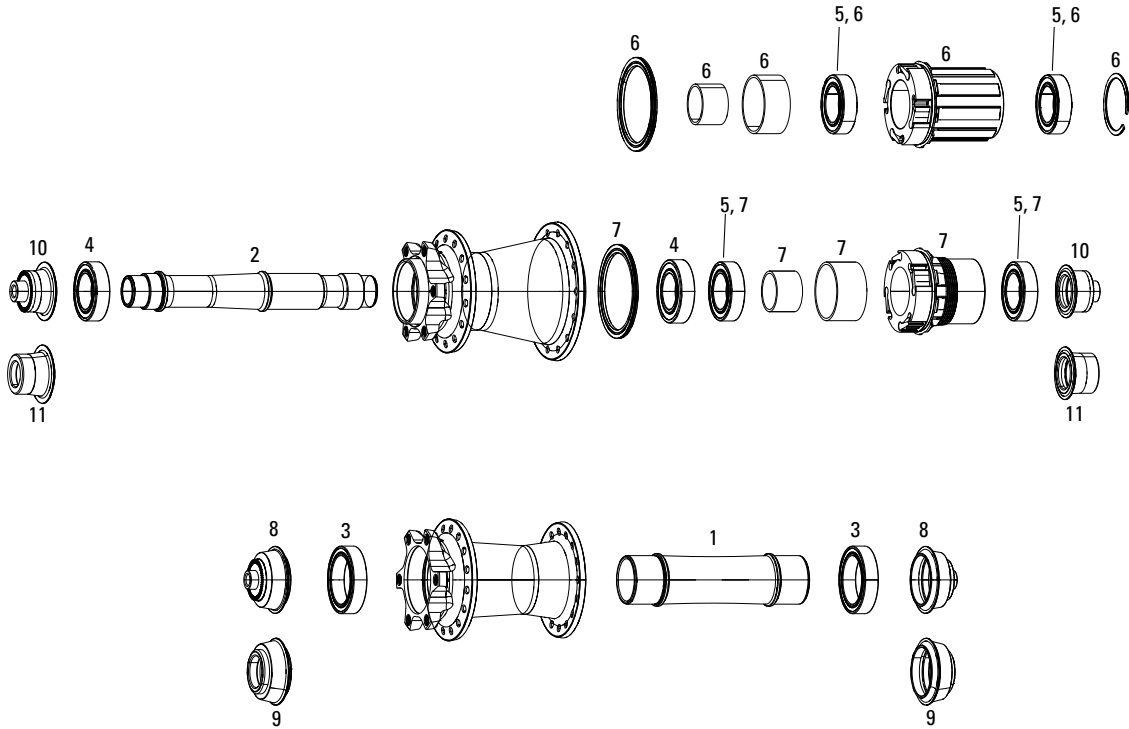
No.	Part Number	Description
7	00.1918.145.004	Conversion Caps Hub Double Time Rear, 10x135 QR, fits 9/10 Speed Driver Body - X0Hubs/900Hubs/Rise60 (B1)/Roam30/Roam40/Roam60(B1)/Rail40/RiseXX
7	00.1918.145.006	Conversion Caps Hub Double Time Rear, 10x135 QR, fits XD/XD-R Driver Bodies - X0Hubs/900Hubs/Rise60 (B1)/Roam30/Roam40/Roam60(B1)/Rail40/RiseXX
8	00.1918.145.007	Conversion Caps Hub Double Time Rear, 12x142/12x157 X0 DH/12x148 Boost, fits XD/XD-R Driver Bodies - X0Hubs/900Hubs/Rise60 (B1)/Roam30/Roam40/Roam60(B1)/Rail40/RiseXX
8	00.1918.145.010	Conversion Caps Hub Double Time Rear, 12x142/12x157 X0 DH/12x148 Boost, Through Axle, 9/10 Speed Driver Body - X0Hubs/900Hubs/Rise60 (B1)/Roam30/Roam40/Roam60(B1)/Rail40/RiseXX
8	00.1918.145.009	Conversion Caps Hub Double Time Rear, 12x135 Through Axle, fits 9/10 Speed Driver Body - X0Hubs/900Hubs/Rise60 (B1)/Roam30/Roam40/Roam60(B1)/Rail40/RiseXX
8	00.1918.145.012	Conversion Caps Hub Double Time Rear - 12x135, 12X150 X0 DHThrough Axle, fits XD/XD-R Driver Bodies - X0Hubs/900Hubs/Rise60 (B1)/Roam30/Roam40/Roam60(B1)/Rail40/RiseXX
9	00.1918.145.002	Conversion Caps Hub Double Time Front, 15x100mm Through Axle X0Hubs/900Hubs/Rise60 (B1)/Roam30/Roam40/Roam60(B1)/Rail40/RiseXX
9	00.1918.145.013	Conversion Caps Hub Double Time Front - 12x100 - X0Hubs/900Hubs/Rise60 (B1)/Roam30/Roam40/Roam60(B1)/Rail40/RiseXX
10	00.1918.145.003	Conversion Caps Hub Double Time Front, 20x110 Through Axle -X0Hubs/900Hubs/Rise60 (B1)/Roam30/Roam40/Roam60(B1)/Rail40/RiseXX
11	00.1918.145.000	Conversion Caps Hub Double Time Front, 9x100 QR 19mm Standard - X0Hubs/900Hubs/Rise60 (B1)/Roam30/Roam40/Roam60(B1)/Rail40/RiseXX
12	00.1918.145.001	Conversion Caps Hub Double Time Front, 9x100 QR 31mm RockShox - X0Hubs/900Hubs/Rise60 (B1)/Roam30/Roam40/Roam60(B1)/Rail40/RiseXX

## QUICK RELEASE & MAXLES

No.	Part Number	Description
ns	00.4318.005.001	Axle Maxle Ultimate Front MTB, 15x100, Length 148mm, ThreadLength 9mm, Thread Pitch M15x1.50 - PIKE, RS1, Lyrik B1, Yari
ns	00.4318.005.002	Axle Maxle Lite Front MTB, 15x100, Length 148mm, Thread Length 9mm, Thread Pitch M15x1.50 - SID/Reba/Revelation/Recon/Sektor/XC32
ns	00.4318.005.004	Axle Maxle Lite Front MTB, 15x110, Length 158mm, Thread Length 9mm, Thread Pitch M15x1.50 Boost Compatible - SID/Reba
ns	00.4318.005.007	Axle Maxle Ultimate Front MTB, 15x110, Length 158mm, ThreadLength 9mm, Thread Pitch M15x1.50 - PIKE, Lyrik B1, Yari Boost Compatible
ns	00.4318.005.008	Axle Maxle Ultimate Rear MTB, 12x135, Length 167mm, Thread Length 20mm, Thread Pitch M12x1.75 - Standard
ns	00.4318.005.009	Axle Maxle Ultimate Rear MTB, 12x142, Length 174mm, Thread Length 20mm, Thread Pitch M12x1.75 - Standard
ns	00.4318.005.010	Axle Maxle Ultimate Rear MTB, 12x148, Length 180mm, Thread Length 20mm, Thread Pitch M12x1.75 - Boost Compatible
ns	00.4318.005.011	Axle Maxle Ultimate Rear MTB, 12x150, Length 182mm, Thread Length 20mm, Thread Pitch M12x1.75 - Standard
ns	00.4318.005.012	Axle Maxle Ultimate Rear MTB, 12x148, Length 188mm, Thread Length 20mm, Thread Pitch M12x1.75 - Boost Compatible
ns	00.4318.005.018	Axle Maxle Stealth Front MTB, 15x100, Length 148mm, Thread Length 9mm, Thread Pitch M15x1.50 (not compatible with RS-1) Standard
ns	00.4318.005.019	Axle Maxle Stealth Front MTB, 15x110, Length 158mm, Thread Length 9mm, Thread Pitch M15x1.50 - Boost Compatible
ns	00.1915.232.010	Quick Release Pair Rise 60 Stainless
ns	00.1915.002.020	Quick Release Pair X.9 Steel Black for MTB Wheels

## TOOLS & SUPPORT

No.	Part Number	Description
ns	00.4318.008.000	Grease SRAM Butter 20ml Syringe, Friction Reducing Grease by Slickoleum - Recommended for X0/Rise XX/Roam 40, 30/Rise 60B1/ Hub Pawls, RockShox Forks and Reverb Service
ns	00.4318.008.001	Grease SRAM Butter 1oz Container, Friction Reducing Grease by Slickoleum - Recommended for X0/Rise XX/Roam 40, 30/Rail 40/Rise 60 B1/ Hub Pawls, RockShox Forks and Reverb Service
ns	00.4318.008.003	Grease SRAM Butter 500ml Container, Friction Reducing Grease by Slickoleum - Recommended for SRAM Double Time Hubs & Wheels, RockShox
13	00.1918.177.010	Forks and Reverb Service
14	00.1918.177.040	Bearing Press Tool 23327, Front Hub - X0 Hubs/900 Hubs/Rise 60 (B1)/Roam 30/Roam 40/Roam 60(B1)/Rail 40/Rise XX Bearing Press Tools 6903/63803D28, Rear Hub - X0 Hubs/900 Hubs/Rise 60 (B1)/Roam 30/Roam 40/Roam 60(B1)/Rail 40/Rise XX



**NOTES:**  
1. X0 hubs use Double Time internals.

## HUB SPARE PARTS

No.	Part Number	Description
1	11.1918.002.012	Hub Axle Front - X0 Hubs/Rise 60 (B1)/Roam 30/Roam 40/Rail 40/Rise XX/900
1	11.1918.002.016	Hub Axle Front Double Time 15x110 Boost Compatible (only for Boost front hubs) - X0 A1/ Roam 30/40/Roam 60 (B1)/ 900
2	11.1918.002.013	Hub Axle Rear - X0 Hubs/Rise 60 (B1)/Roam 30/Roam 40/Rail 40/Rise XX
2	11.1918.002.015	Hub Axle Rear X0 12x148 Boost Compatible (only for Boost rear hubs) - X0, Roam 30/40, Rail 40
2	11.1918.002.017	Hub Axle Rear X0 12x150, 12x157 - X0 DH
3	11.1918.003.030	Hub Bearing Set Front Double Time (includes 2-23327) - X0 Hubs/Rise 60 (B1)/Roam 30/Roam 40/Roam 60 (B1)/Rail 40
4	11.1918.003.040	Hub Bearing Set Rear Double Time (includes 1-6903/61903 & 1-63803D28) - X0 Hubs/Rise 60 (B1)/Roam 30/Roam 40/Roam 60 (B1)/Rail 40
5	11.1918.003.050	Hub Bearing Set Freehub Double Time (includes 2-63803D28) -X0 Hubs/Rise60 (B1)/Roam 30/Roam 40/Roam 60 (B1)/Rail 40
6	11.1918.000.011	Freehub Body with Bearings 9/10 Speed - X0 Hubs/Rise 60 (B1)/Roam 30/Roam 40/Rail 40/Rise XX
7	11.1918.000.012	Freehub Body with Bearings 11 Speed X0 - X0 Hubs/Rise 60 (B1)/Roam 30/Roam 40/Rail 40/Rise XX

## CONVERSION CAPS

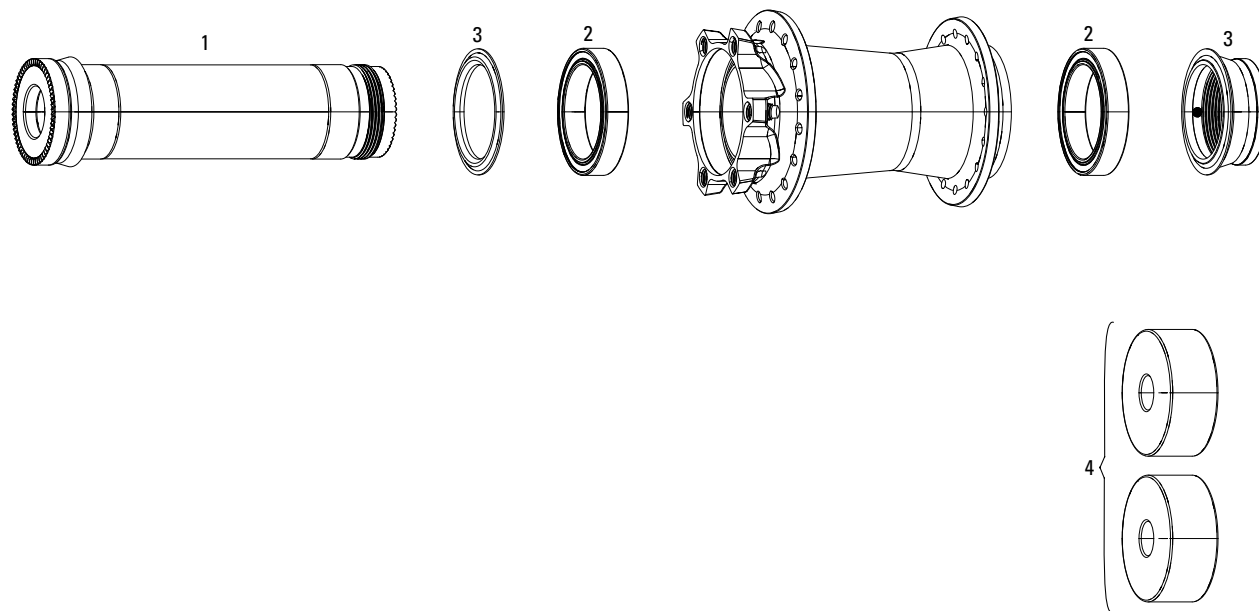
8	00.1918.145.000	Conversion Caps Hub Double Time Front, 9x100 QR 19mm Standard - X0Hubs/900Hubs/Rise60 (B1)/Roam30/Roam40/Roam60(B1)/Rail40/RiseXX
8	00.1918.145.001	Conversion Caps Hub Double Time Front, 9x100 QR 31mm RockShox - X0Hubs/900Hubs/Rise60 (B1)/Roam30/Roam40/Roam60(B1)/Rail40/RiseXX
9	00.1918.145.002	Conversion Caps Hub Double Time Front, 15x100mm Through Axle -X0Hubs/900Hubs/Rise60 (B1)/Roam30/Roam40/Roam60(B1)/Rail40/RiseXX
9	00.1918.145.003	Conversion Caps Hub Double Time Front, 20x110 Through Axle -X0Hubs/900Hubs/Rise60 (B1)/Roam30/Roam40/Roam60(B1)/Rail40/RiseXX
10	00.1918.145.004	Conversion Caps Hub Double Time Rear, 10x135 QR, fits 9/10 Speed Driver Body - X0Hubs/900Hubs/Rise60 (B1)/Roam30/Roam40/Roam60(B1)/Rail40/RiseXX
10	00.1918.145.006	Conversion Caps Hub Double Time Rear, 10x135 QR, fits XD/XD-R Driver Bodies - X0Hubs/900Hubs/Rise60 (B1)/Roam30/Roam40/Roam60(B1)/Rail40/RiseXX
11	00.1918.145.007	Conversion Caps Hub Double Time Rear, 12x142/12x157 X0 DH/12x148 Boost, fits XD/XD-R Driver Bodies - X0Hubs/900Hubs/Rise60 (B1)/Roam30/Roam40/Roam60(B1)/Rail40/RiseXX
11	00.1918.145.009	Conversion Caps Hub Double Time Rear, 12x135 Through Axle, fits 9/10 Speed Driver Body - X0Hubs/900Hubs/Rise60 (B1)/Roam30/Roam40/Roam60(B1)/Rail40/RiseXX
11	00.1918.145.010	Conversion Caps Hub Double Time Rear, 12x142/12x157 X0 DH/12x148 Boost, Through Axle, 9/10 Speed Driver Body - X0Hubs/900Hubs/Rise60 (B1)/Roam30/Roam40/Roam60(B1)/Rail40/RiseXX
11	00.1918.145.012	Conversion Caps Hub Double Time Rear - 12x135, 12X150 X0 DHThrough Axle, fits XD/XD-R Driver Bodies - X0Hubs/900Hubs/Rise60 (B1)/Roam30/Roam40/Roam60(B1)/Rail40/RiseXX

## QUICK RELEASE & MAXLES

ns	00.4318.005.001	Axle Maxle Ultimate Front MTB, 15x100, Length 148mm, Thread Length 9mm, Thread Pitch M15x1.50 - PIKE, RS1, Lyrik B1, Yari
ns	00.4318.005.002	Axle Maxle Lite Front MTB, 15x100, Length 148mm, Thread Length 9mm, Thread Pitch M15x1.50 - SID/Reba/Revelation/Recon/Sektor/XC32

## TOOLS & SUPPORT

12	00.1918.177.010	Bearing Press Tool 23327, Front Hub - X0 Hubs/900 Hubs/Rise60 (B1)/Roam 30/Roam 40/Roam 60(B1)/Rail 40/Rise XX
13	00.1918.177.020	Bearing Press Tools 6903/63803D28, Rear Hub - X0 Hubs/Rise 60 (B1)/Roam 30/Roam 40/Rail 40/Rise XX
ns	00.4318.008.000	Grease SRAM Butter 20ml Syringe, Friction Reducing Grease bySlickoleum - Recommended for X0/Rise XX/Roam 40, 30/Rail 40/Rise 60 B1/ Hub Pawls, RockShox Forks

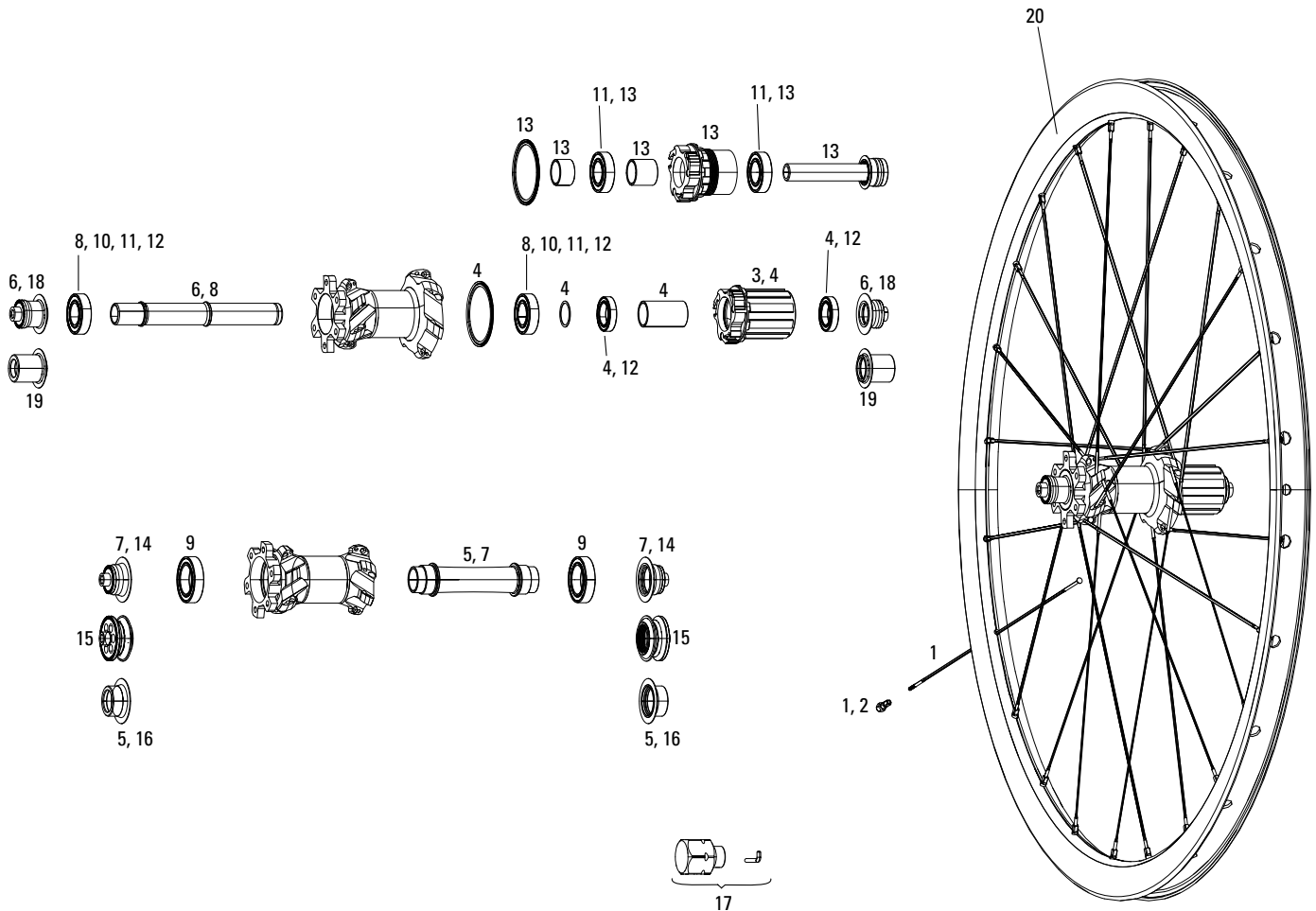


**NOTES:**

- 1. Predictive Steering hubs are not convertible to any other axle type.
- 2. Predictive Steering hubs may only be used with 00.4318.005.001 Maxle Ultimate 15mm Black.

**No. Part Number Description**

1	11.1918.002.014	Hub Axle Front - Predictive Steering (includes axle, knurledring and plug) A1
2	11.1918.003.110	Hub Bearing Set Front (includes 2-27.5 37 7 STL) - Predictive Steering A1
3	11.1918.034.000	Hub End Cap for Predictive Steering (includes end cap, set screw and dust shield) A1
ns	00.4318.005.001	Axle Maxle Ultimate Front MTB, 15x100, Length 148mm, ThreadLength 9mm, Thread Pitch M15x1.50 - PIKE, RS1, Lyrik B1, Yari
4	00.1918.177.030	Bearing Press Tool 275377, Predictive Steering Front Hub - Rise60(A1,B1)/Roam50/Rise XX
ns	00.4318.008.000	Grease SRAM Butter 20ml Syringe, Friction Reducing Grease bySlickoleum - Recommended for X0/Rise XX/Roam 40, 30/Rail 40/Rise 60 B1/ Hub Pawls, RockShox Forks and Reverb Service



**NOTES:**

1. Part # 00.1915.231.010 Tool Conversion Cap Rise 40 Front is needed to change Conversion Caps of Rise 40 front wheels.
2. Rise 40 rear wheels are not convertible.

**RIM SPARE PARTS**

**No. Part Number Description**

1	11.1915.085.030	Spokes & Nipples 3-pack 264mm Rise 60 26" F-Non-Drive/R-Drive, CX-Ray Straight-Pull External Black
1	11.1915.085.040	Spokes & Nipples 3-pack 266mm Rise 60 26" F-Drive/R-Non-Drive CX-Ray Straight-Pull External Black
1	11.1915.085.050	Spokes & Nipples 3-pack 294mm Rise 60 29" R-Drive CX-Ray Straight-Pull External Black
1	11.1915.085.060	Spokes & Nipples 3-pack 296mm Rise 60 29" F-(Drive/Non-Drive)/R-Non-Drive CX-Ray Straight-Pull External Black
1	11.1915.083.010	Spokes & Nipples 3-pack 264mm Rise 40 26" Front/Rear Straight-Pull External Black
1	11.1915.083.015	Spokes & Nipples 3-pack 276mm Rise 40 27.5" Front/Rear Straight-Pull External Black
1	11.1915.083.020	Spokes & Nipples 3-pack 295mm Rise 40 29" Front/Rear Straight-Pull External Black
2	11.1918.033.000	Spoke Nipples Brass for Rise 40 wheels 2.0 X 14 - QTY 24
2	11.1918.033.001	Spoke Nipples Alloy for Rise 60/XX, Roam 50/60 and Rail series wheels 2.0 X 14 - QTY 24
ns	00.1915.228.010	Rim Strip 26" Pair for Rise 40, Rise 60
ns	00.1915.228.020	Rim Strip 29" Pair for Rise 40, Rise 60
ns	11.1915.084.020	Decal Kit - Rise 60 MTB 29 - 1 Rim
20	11.1918.004.000	Rim Rise 60, 26" With Decals 24H
20	11.1918.004.001	Rim Rise 60, 29" With Decals 24H

**RIM SPARE PARTS**

No.	Part Number	Description
3	11.2015.028.100	Kit Freehub Body, X-9/X-7/Rise 40,
3	11.2015.029.100	Kit Freehub Body X-9/Rise 40 12x135/142
3	11.1918.001.000	Freehub Body Pawls & Springs Rise 60
4	11.1918.000.000	Freehub Body with Bearings Rise 60
5	11.2015.026.000	Kit Axle Assembly X-9/Rise 40 F 15x100
6	11.2015.028.000	Kit Complete Axle Assembly, X-9/Rise 40 Rear
6	11.2015.030.000	Kit Axle Assembly X-9/Rise 40 R 12x142
7	11.1918.002.000	Hub Axle Front Rise 60
8	11.1918.002.011	Hub Axle Rear Rise 60 Titanium (includes hubshell bearings)
9	11.2015.026.100	Kit Hub Bearings X-9/Rise 40 15x100, 2-6804
9	11.1918.003.000	Hub Bearing Set Front (includes 2-6804) Rise 60
10	11.2015.028.200	Kit, Hub Bearings, X-9/Rise 40 Rear, 2-6000
11	11.1918.003.020	Hub Bearing Set Rear (includes 4-6902) Rise 60 XD
12	11.1918.003.010	Hub Bearing Set Rear (includes 2-6802, 2-6902 & spacer) Rise60
13	00.2018.004.000	MTB Hub XD Driver Body 11 Speed Kit for Rise 60 Wheel A1 (2012-2015)

**CONVERSION END CAPS**

No.	Part Number	Description
14	00.1915.230.010	Conversion Caps Wheel Rise 40 Front - 9QR 19 Standard
14	00.1915.230.040	Conversion Caps Wheel Rise 60 Front - 9QR 19 Standard
15	00.1915.230.020	Conversion Caps Wheel Rise 40 Front - 9QR 31 RockShox
15	00.1915.230.050	Conversion Caps Wheel Rise 60 Front - 9QR 31 RockShox
16	00.1915.230.030	Conversion Caps Wheel Rise 40 Front - 15
16	00.1915.230.060	Conversion Caps Wheel Rise 60 Front - 15
18	00.1915.230.070	Conversion Caps Wheel Rise 60 Rear 10x135
18	00.1915.230.090	Conversion Caps Wheel Rise 60 Rear 10x135, fits XD Driver Body
19	00.1915.230.080	Conversion Caps Wheel Rise 60 Rear 12x142
19	00.1915.230.100	Conversion Caps Wheel Rise 60 Rear 12x142, fits XD Driver Body

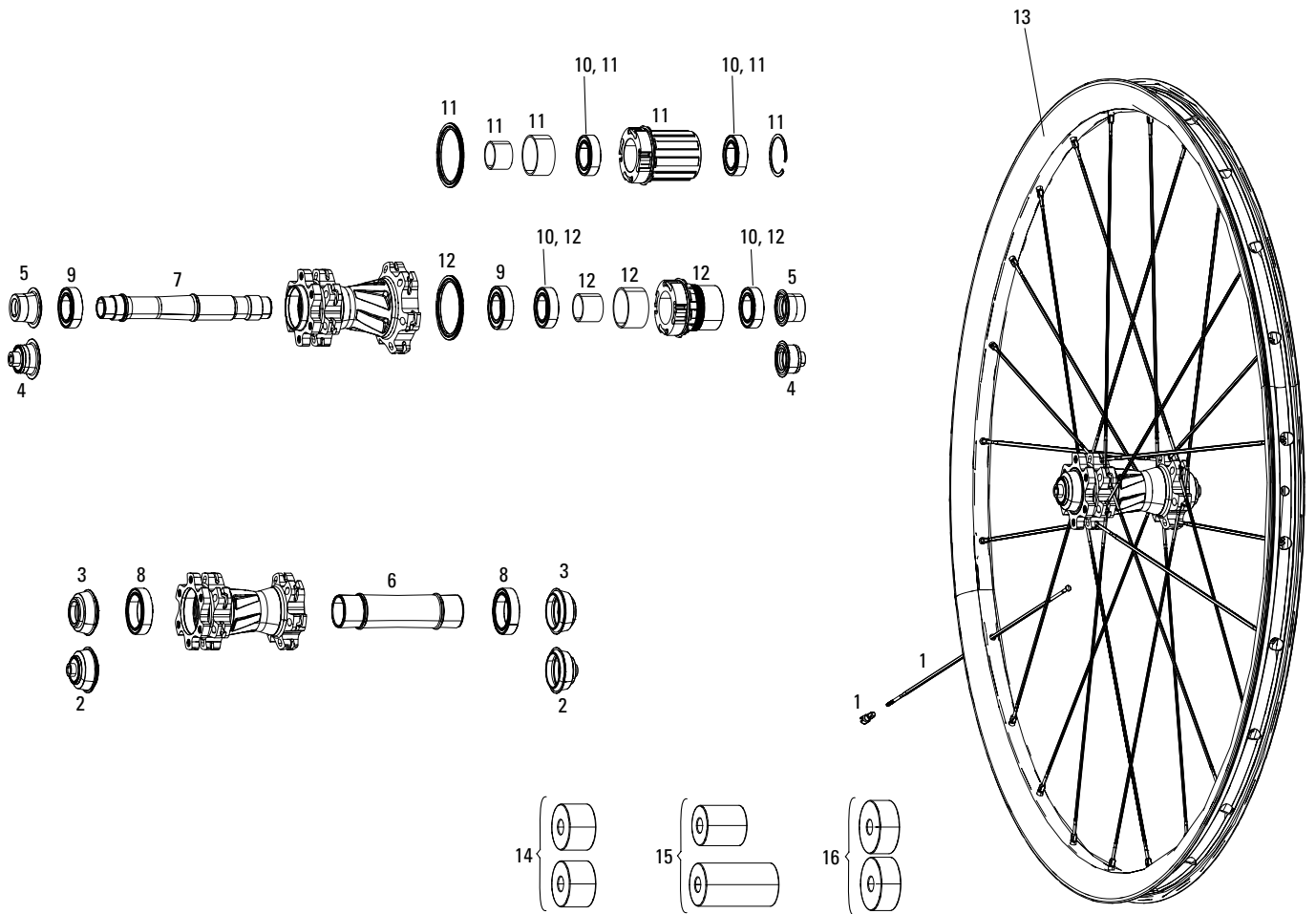
**QUICK RELEASE & MAXLES**

No.	Part Number	Description
ns	00.1915.232.010	Quick Release Pair Rise 60 Stainless
ns	00.1915.002.020	Quick Release Pair X.9 Steel Black for MTB Wheels
ns	00.4318.005.001	Axle Maxle Ultimate Front MTB, 15x100, Length 148mm, ThreadLength 9mm, Thread Pitch M15x1.50 - PIKE, RS1, Lyrik B1, Yari
ns	00.4318.005.002	Axle Maxle Lite Front MTB, 15x100, Length 148mm, Thread Length 9mm, Thread Pitch M15x1.50 - SID/Reba/Revelation/Recon/Sektor/XC32 see also Maxle Page

**TOOLS & SUPPORT**

No.	Part Number	Description
17	00.1915.231.010	Tool Conversion Cap Rise 40 Front





**NOTES:**

1. Rise 60 (B1) wheels use Double Time hub internals.

**RIM SPARE PARTS**

**No. Part Number Description**

1	11.1918.027.023	Spokes & Nipples & Washers 3-pack 278mm CX-Ray Straight-PullExternal Black - Rise 60 (B1) 27.5"
1	11.1918.027.024	Spokes & Nipples & Washers 3-pack 298mm CX-Ray Straight-PullExternal Black - Rise 60 (B1) 29"
ns	11.1915.084.170	Decal Pack - Red/Blue/Green/Yellow/Orange/Pink (includes 6 full decal kits, one for each listed color, enough for 2 wheels each) - Rise 60 MTB 27.5
ns	11.1915.084.180	Decal Pack - Red/Blue/Green/Yellow/Orange/Pink (includes 6 full decal kits, one for each listed color, enough for 2 wheels each) - Rise 60 MTB 29
13	11.1918.028.022	Rim Rise 60 24H 27.5" Asymmetric Carbon Black With Decals B1
13	11.1918.028.023	Rim Rise 60 24H 29" Asymmetric Carbon Black With Decals B1
ns	00.1918.126.004	Tubeless Kit Includes 26mm Tape, 2 Universal Valves & 1 Valve Core Wrench (Fits 21mm inner width rims, Rise 60 [B1]/Roam[A1]Wheels)
ns	00.1918.325.000	Tubeless Universal Valve, Removable Valve Core (includes 1 tubeless valve & 1 valve core wrench) - SRAM MTB Wheels

**HUB SPARE PARTS**

6	11.1918.002.012	Hub Axle Front - X0 Hubs/Rise 60 (B1)/Roam 30/Roam 40/Rail 40/Rise XX/900
7	11.1918.002.013	Hub Axle Rear - X0 Hubs/Rise 60 (B1)/Roam 30/Roam 40/Rail 40/Rise XX
8	11.1918.003.030	Hub Bearing Set Front Double Time (includes 2-23327) - X0 Hubs/Rise 60 (B1)/Roam 30/Roam 40/Roam 60 (B1)/Rail 40
9	11.1918.003.040	Hub Bearing Set Rear Double Time (includes 1-6903/61903 & 1-63803D28) - X0 Hubs/Rise 60 (B1)/Roam 30/Roam 40/Roam 60 (B1)/Rail 40
10	11.1918.003.050	Hub Bearing Set Freehub Double Time (includes 2-63803D28) -X0 Hubs/Rise60 (B1)/Roam 30/Roam 40/Roam 60 (B1)/Rail 40
11	11.1918.000.011	Freehub Body with Bearings 9/10 Speed - X0 Hubs/Rise 60 (B1)/Roam 30/Roam 40/Rail 40/Rise XX
12	11.1918.000.012	Freehub Body with Bearings 11 Speed XD - X0 Hubs/Rise 60 (B1)/Roam 30/Roam 40/Rail 40/Rise XX



## CONVERSION END CAPS

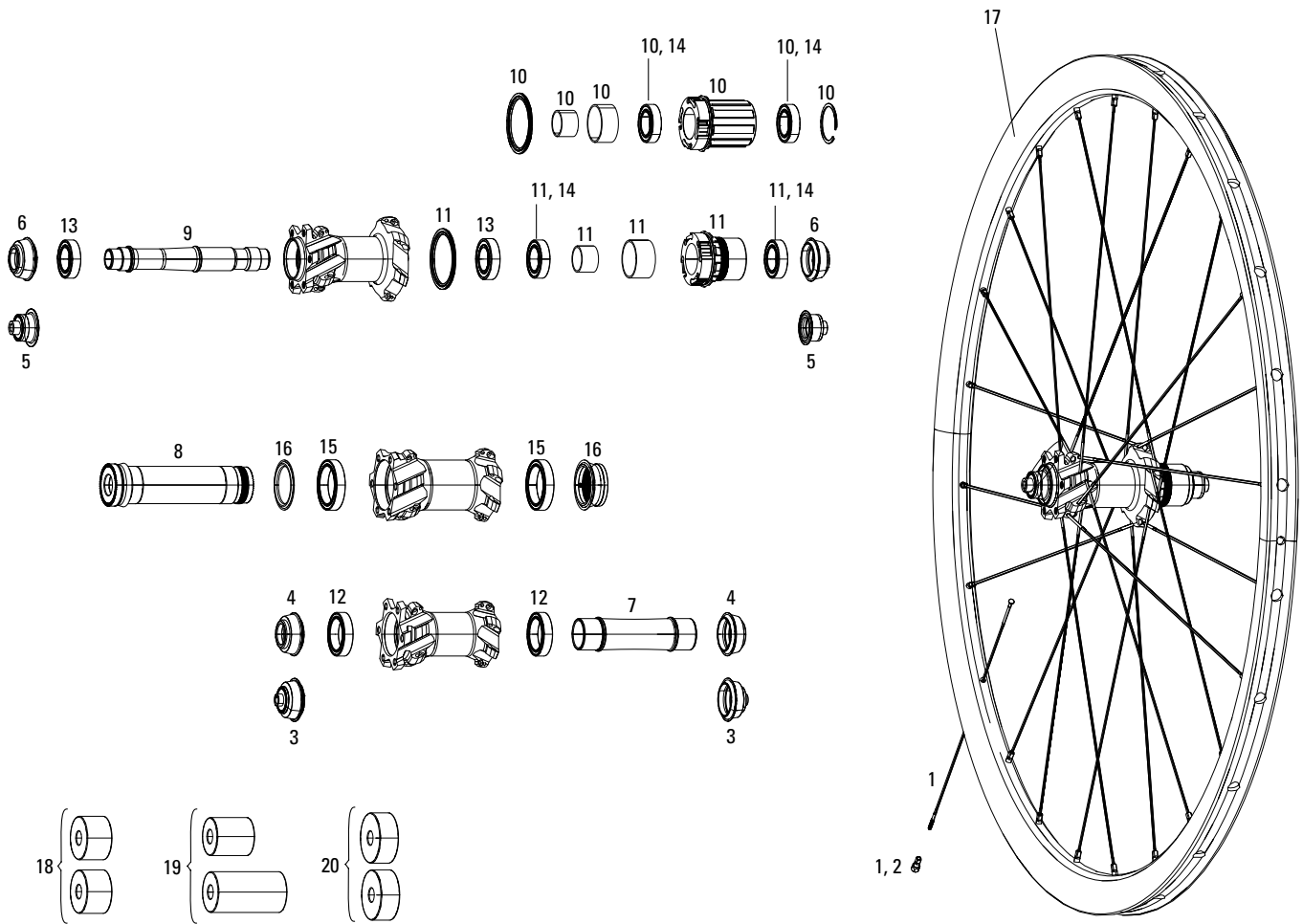
No.	Part Number	Description
2	00.1918.145.000	Conversion Caps Hub Double Time Front, 9x100 QR 19mm Standard - X0Hubs/900Hubs/Rise60 (B1)/Roam30/Roam40/Roam60(B1)/Rail40/RiseXX
2	00.1918.145.001	Conversion Caps Hub Double Time Front, 9x100 QR 31mm RockShox - X0Hubs/900Hubs/Rise60 (B1)/Roam30/Roam40/Roam60(B1)/Rail40/RiseXX
3	00.1918.145.002	Conversion Caps Hub Double Time Front, 15x100mm Through Axle X0Hubs/900Hubs/Rise60 (B1)/Roam30/Roam40/Roam60(B1)/Rail40/RiseXX
3	00.1918.145.003	Conversion Caps Hub Double Time Front, 20x110 Through Axle -X0Hubs/900Hubs/Rise60 (B1)/Roam30/Roam40/Roam60(B1)/Rail40/RiseXX
4	00.1918.145.004	Conversion Caps Hub Double Time Rear, 10x135 QR, fits 9/10 Speed Driver Body - X0Hubs/900Hubs/Rise60 (B1)/Roam30/Roam40/Roam60(B1)/Rail40/RiseXX
4	00.1918.145.006	Conversion Caps Hub Double Time Rear, 10x135 QR, fits XD/XD-R Driver Bodies - X0Hubs/900Hubs/Rise60 (B1)/Roam30/Roam40/Roam60(B1)/Rail40/RiseXX
5	00.1918.145.007	Conversion Caps Hub Double Time Rear, 12x142/12x157 X0 DH/12x148 Boost, fits XD/XD-R Driver Bodies - X0Hubs/900Hubs/Rise60 (B1)/Roam30/Roam40/Roam60(B1)/Rail40/RiseXX
5	00.1918.145.009	Conversion Caps Hub Double Time Rear, 12x135 Through Axle, fits 9/10 Speed Driver Body - X0Hubs/900Hubs/Rise60 (B1)/Roam30/Roam40/Roam60(B1)/Rail40/RiseXX
5	00.1918.145.010	Conversion Caps Hub Double Time Rear, 12x142/12x157 X0 DH/12x148 Boost, Through Axle,9/10 Speed Driver Body - X0Hubs/900Hubs/Rise60 (B1)/Roam30/Roam40/Roam60(B1)/Rail40/RiseXX
5	00.1918.145.012	Conversion Caps Hub Double Time Rear - 12x135, 12X150 X0 DHThrough Axle, fits XD/XD-R Driver Bodies - X0Hubs/900Hubs/Rise60 (B1)/Roam30/Roam40/Roam60(B1)/Rail40/RiseXX

## QUICK RELEASE & MAXLES

No.	Part Number	Description
ns	00.1915.232.010	Quick Release Pair Rise 60 Stainless
ns	00.1915.002.020	Quick Release Pair X.9 Steel Black for MTB Wheels
ns	00.4318.005.001	Axle Maxle Ultimate Front MTB, 15x100, Length 148mm, ThreadLength 9mm, Thread Pitch M15x1.50 - PIKE, RS1, Lyrik B1, Yari
ns	00.4318.005.002	Axle Maxle Lite Front MTB, 15x100, Length 148mm, Thread Length 9mm, Thread Pitch M15x1.50 - SID/Reba/Revelation/Recon/Sektor/XC32 See also Maxle page

## TOOLS & SUPPORT

No.	Part Number	Description
14	00.1918.177.010	Bearing Press Tool 23327, Front Hub - X0 Hubs/900 Hubs/Rise60 (B1)/Roam 30/Roam 40/Roam 60(B1)/Rail 40/Rise XX
15	00.1918.177.020	Bearing Press Tools 6903/63803D28, Rear Hub - X0 Hubs/Rise 60 (B1)/Roam 30/Roam 40/Rail 40/Rise XX
16	00.1918.177.030	Bearing Press Tool 275377, Predictive Steering Front Hub - Rise60(A1,B1)/Roam50/Rise XX
ns	00.4318.008.000	Grease SRAM Butter 20ml Syringe, Friction Reducing Grease bySlickoleum - Recommended for X0/Rise XX/Roam 40, 30/Rail 40/Rise 60 B1/ Hub Pawls, RockShox Forks and Reverb Service



**NOTES:**

1. Rise XX uses Double Time hub internals. All Rise XX hubs use ceramic ball bearings.

**RIM SPARE PARTS**

No. Part Number Description

1	11.1918.027.021	Spokes & Nipples & Washers 3-pack 294mm CX-Ray Straight-PullExternal Black - Rise XX Predictive Steering 29"
1	11.1918.027.022	Spokes & Nipples & Washers 3-pack 296mm CX-Ray Straight-PullExternal Black - Rise XX 29"
2	11.1918.033.001	Spoke Nipples Alloy for Rise 60/XX, Roam 50/60 and Rail series wheels 2.0 X 14 - QTY 24
ns	11.1918.028.021	Rim Rise XX 24H 29 Tubular Asymmetric Carbon Black With Decals

**HUB SPARE PARTS**

7	11.1918.002.012	Hub Axle Front - X0 Hubs/Rise 60 (B1)/Roam 30/Roam 40/Rail 40/Rise XX/900
8	11.1918.002.014	Hub Axle Front - Predictive Steering (includes axle, knurledring and plug) A1
9	11.1918.002.013	Hub Axle Rear - X0 Hubs/Rise 60 (B1)/Roam 30/Roam 40/Rail 40/Rise XX
10	11.1918.000.011	Freehub Body with Bearings 9/10 Speed - X0 Hubs/Rise 60 (B1)/Roam 30/Roam 40/Rail 40/Rise XX
11	11.1918.000.012	Freehub Body with Bearings 11 Speed XD - X0 Hubs/Rise 60 (B1)/Roam 30/Roam 40/Rail 40/Rise XX
12	11.1918.003.060	Hub Bearing Set Front (includes 2-23327 CRM) - RISE XX A1
13	11.1918.003.070	Hub Bearing Set Rear (includes 1-6903/61903 CRM, 1-63808D28CRM & spacer) Rise XX A1
14	11.1918.003.090	Hub Bearing Set Freehub (includes 2-63808D28 CRM) Rise XX A1
15	11.1918.003.100	Hub Bearing Set Front (includes 2-27.5 37 7 CRM) Rise XX PSA1
16	11.1918.034.000	Hub End Cap for Predictive Steering (includes end cap, set screw and dust shield) A1



**CONVERSION END CAPS**

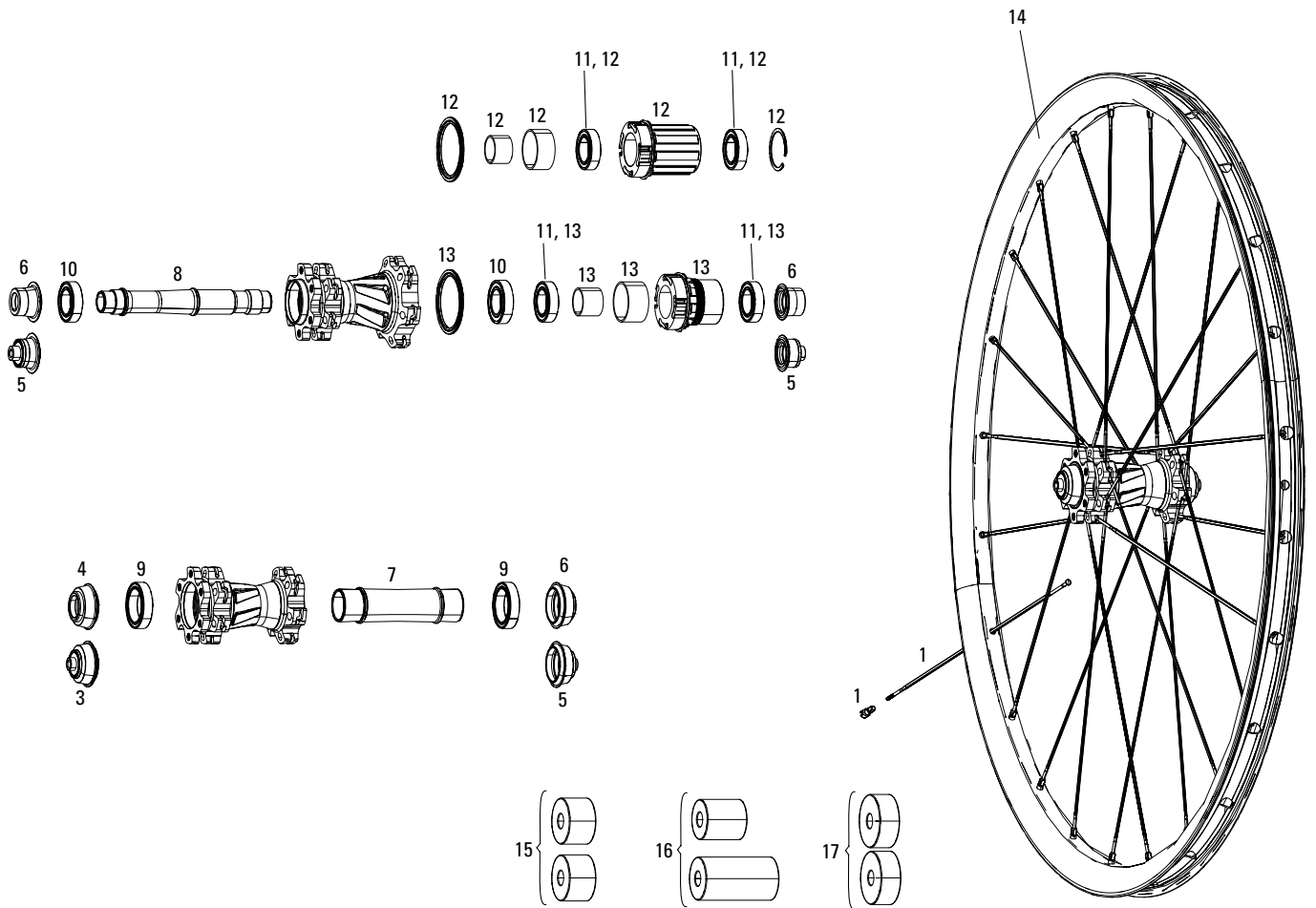
No.	Part Number	Description
3	00.1918.145.000	Conversion Caps Hub Double Time Front, 9x100 QR 19mm Standard - X0Hubs/900Hubs/Rise60 (B1)/Roam30/Roam40/Roam60(B1)/Rail40/RiseXX
3	00.1918.145.001	Conversion Caps Hub Double Time Front, 9x100 QR 31mm RockShox - X0Hubs/900Hubs/Rise60 (B1)/Roam30/Roam40/Roam60(B1)/Rail40/RiseXX
4	00.1918.145.002	Conversion Caps Hub Double Time Front, 15x100mm Through Axle X0Hubs/900Hubs/Rise60 (B1)/Roam30/Roam40/Roam60(B1)/Rail40/RiseXX
4	00.1918.145.003	Conversion Caps Hub Double Time Front, 20x110 Through Axle -X0Hubs/900Hubs/Rise60 (B1)/Roam30/Roam40/Roam60(B1)/Rail40/RiseXX
5	00.1918.145.004	Conversion Caps Hub Double Time Rear, 10x135 QR, fits 9/10 Speed Driver Body - X0Hubs/900Hubs/Rise60 (B1)/Roam30/Roam40/Roam60(B1)/Rail40/RiseXX
5	00.1918.145.006	Conversion Caps Hub Double Time Rear, 10x135 QR, fits XD/XD-R Driver Bodies - X0Hubs/900Hubs/Rise60 (B1)/Roam30/Roam40/Roam60(B1)/Rail40/RiseXX
6	00.1918.145.007	Conversion Caps Hub Double Time Rear, 12x142/12x157 X0 DH/12x148 Boost, fits XD/XD-R Driver Bodies - X0Hubs/900Hubs/Rise60 (B1)/Roam30/Roam40/Roam60(B1)/Rail40/RiseXX
6	00.1918.145.009	Conversion Caps Hub Double Time Rear, 12x135 Through Axle, fits 9/10 Speed Driver Body - X0Hubs/900Hubs/Rise60 (B1)/Roam30/Roam40/Roam60(B1)/Rail40/RiseXX
6	00.1918.145.010	Conversion Caps Hub Double Time Rear, 12x142/12x157 X0 DH/12x148 Boost, Through Axle,9/10 Speed Driver Body - X0Hubs/900Hubs/Rise60 (B1)/Roam30/Roam40/Roam60(B1)/Rail40/RiseXX
6	00.1918.145.012	Conversion Caps Hub Double Time Rear - 12x135, 12X150 X0 DHThrough Axle, fits XD/XD-R Driver Bodies - X0Hubs/900Hubs/Rise60 (B1)/Roam30/Roam40/Roam60(B1)/Rail40/RiseXX

**QUICK RELEASE & MAXLES**

No.	Part Number	Description
ns	00.1915.232.010	Quick Release Pair Rise 60 Stainless
ns	00.4318.005.001	Axle Maxle Ultimate Front MTB, 15x100, Length 148mm, ThreadLength 9mm, Thread Pitch M15x1.50 - PIKE, RS1, Lyrik B1, Yari
ns	00.4318.005.002	Axle Maxle Lite Front MTB, 15x100, Length 148mm, Thread Length 9mm, Thread Pitch M15x1.50 - SID/Reba/Revelation/Recon/Sektor/XC32 See also Maxle page

**TOOLS & SUPPORT**

No.	Part Number	Description
18	00.1918.177.010	Bearing Press Tool 23327, Front Hub - X0 Hubs/900 Hubs/Rise60 (B1)/Roam 30/Roam 40/Roam 60(B1)/Rail 40/Rise XX
19	00.1918.177.020	Bearing Press Tools 6903/63803D28, Rear Hub - X0 Hubs/Rise 60 (B1)/Roam 30/Roam 40/Rail 40/Rise XX
20	00.1918.177.030	Bearing Press Tool 275377, Predictive Steering Front Hub - Rise60(A1,B1)/Roam50/Rise XX
ns	00.4318.008.000	Grease SRAM Butter 20ml Syringe, Friction Reducing Grease bySlickoleum - Recommended for X0/Rise XX/Roam 40, 30/Rail 40/Rise 60 B1/ Hub Pawls, RockShox Forks and Reverb Service



**NOTES:**

1. Roam 30 and 40 wheels use Double Time hub internals.

**RIM SPARE PARTS**

**No. Part Number Description**

1	11.1918.027.009	Spokes & Nipples 3-pack 264mm Straight-Pull External Black -Roam 30 26"
1	11.1918.027.010	Spokes & Nipples 3-pack 276mm Straight-Pull External Black -Roam 30 27.5"
1	11.1918.027.011	Spokes & Nipples 3-pack 294mm Straight-Pull External Black -Roam 30 29"
1	11.1918.027.012	Spokes & Nipples 3-pack 264mm Straight-Pull External Black -Roam 40 26"
1	11.1918.027.013	Spokes & Nipples 3-pack 276mm Straight-Pull External Black -Roam 40/Rail 40 27.5"
1	11.1918.027.014	Spokes & Nipples 3-pack 294mm Straight-Pull External Black -Roam 40/Rail 40 29"
1	11.1918.027.015	Spokes & Nipples 24-pack 264mm Straight-Pull External Black Roam 30 26" (includes qty for complete wheel build)
1	11.1918.027.016	Spokes & Nipples 24-pack 276mm Straight-Pull External Black Roam 30 27.5" (includes qty for complete wheel build)
1	11.1918.027.017	Spokes & Nipples 24-pack 294mm Straight-Pull External Black Roam 30 29" (includes qty for complete wheel build)
1	11.1918.027.018	Spokes & Nipples 24-pack 264mm Straight-Pull External Black Roam 40 26" (includes qty for complete wheel build)
1	11.1918.027.019	Spokes & Nipples 24-pack 276mm Straight-Pull External Black Roam 40/Rail 40 27.5" (includes qty for complete wheel build)
1	11.1918.027.020	Spokes & Nipples 24-pack 294mm Straight-Pull External Black Roam 40/Rail 40 29" (includes qty for complete wheel build)
ns	11.1915.084.030	Decal Kit - Roam 30 MTB 26 Black/Red wheel (Red/White/Blackdecal) - 1 Rim
ns	11.1915.084.040	Decal Kit - Roam 30 MTB 26 Black/Silver wheel (Silver/White/Black decal) - 1 Rim
ns	11.1915.084.050	Decal Kit - Roam 30 MTB 27 Black/Red wheel (Red/White/Blackdecal) - 1 Rim
ns	11.1915.084.060	Decal Kit - Roam 30 MTB 27 Black/Silver wheel (Silver/White/Black decal) - 1 Rim
ns	11.1915.084.070	Decal Kit - Roam 30 MTB 29 Black/Red wheel (Red/White/Blackdecal) - 1 Rim
ns	11.1915.084.080	Decal Kit - Roam 30 MTB 29 Black/Silver wheel (Silver/White/Black decal) - 1 Rim
ns	11.1915.084.090	Decal Kit - Roam 40 MTB 26 Black/Red wheel (Red/White/Blackdecal) - 1 Rim
ns	11.1915.084.100	Decal Kit - Roam 40 MTB 26 Black/Silver wheel (Silver/White/Black decal) - 1 Rim
ns	11.1915.084.110	Decal Kit - Roam 40 MTB 27 Black/Red wheel (Red/White/Blackdecal) - 1 Rim
ns	11.1915.084.120	Decal Kit - Roam 40 MTB 27 Black/Silver wheel (Silver/White/Black decal) - 1 Rim
ns	11.1915.084.130	Decal Kit - Roam 40 MTB 29 Black/Red wheel (Red/White/Blackdecal) - 1 Rim
ns	11.1915.084.140	Decal Kit - Roam 40 MTB 29 Black/Silver wheel (Silver/White/Black decal) - 1 Rim

# WHEELS - ROAM 30/40 A1



## RIM SPARE PARTS

No.	Part Number	Description
14	11.1918.028.009	Rim Roam 30 24H 26" Asymmetric Aluminum Black With Red Decals
14	11.1918.028.010	Rim Roam 30 24H 27.5" Asymmetric Aluminum Black With Red Decals
14	11.1918.028.011	Rim Roam 30 24H 29" Asymmetric Aluminum Black With Red Decals
14	11.1918.028.012	Rim Roam 30 24H 26" Asymmetric Aluminum Black With Silver Decals
14	11.1918.028.013	Rim Roam 30 24H 27.5" Asymmetric Aluminum Black With SilverDecals
14	11.1918.028.014	Rim Roam 30 24H 29" Asymmetric Aluminum Black With Silver Decals
14	11.1918.028.015	Rim Roam 40 24H 26" Asymmetric Aluminum Black With Red Decals
14	11.1918.028.016	Rim Roam 40 24H 27.5" Asymmetric Aluminum Black With Red Decals
14	11.1918.028.017	Rim Roam 40 24H 29" Asymmetric Aluminum Black With Red Decals
14	11.1918.028.018	Rim Roam 40 24H 26" Asymmetric Aluminum Black With Silver Decals
14	11.1918.028.019	Rim Roam 40 24H 27.5" Asymmetric Aluminum Black With SilverDecals
14	11.1918.028.020	Rim Roam 40 24H 29" Asymmetric Aluminum Black With Silver Decals
ns	00.1918.126.004	Tubeless Kit Includes 26mm Tape, 2 Universal Valves & 1 Valve Core Wrench (Fits 21mm inner width rims, Rise 60 [B1]/Roam[A1]Wheels)
ns	00.1918.325.000	Tubeless Universal Valve, Removable Valve Core (includes 1 tubeless valve & 1 valve core wrench) - SRAM MTB Wheels

## HUB SPARE PARTS

7	11.1918.002.012	Hub Axle Front - X0 Hubs/Rise 60 (B1)/Roam 30/Roam 40/Rail 40/Rise XX/900
7	11.1918.002.016	Hub Axle Front Double Time 15x110 Boost Compatible (only for Boost front hubs) - X0 A1/ Roam 30/40/Roam 60 (B1)/ 900
8	11.1918.002.013	Hub Axle Rear - X0 Hubs/Rise 60 (B1)/Roam 30/Roam 40/Rail 40/Rise XX
8	11.1918.002.015	Hub Axle Rear X0 12X148 Boost Compatible (only for Boost rear hubs) - X0, Roam 30/40, Rail 40
9	11.1918.003.030	Hub Bearing Set Front Double Time (includes 2-23327) - X0 Hubs/Rise 60 (B1)/Roam 30/Roam 40/Roam 60 (B1)/Rail 40
10	11.1918.003.040	Hub Bearing Set Rear Double Time (includes 1-6903/61903 & 1-63803D28) - X0 Hubs/Rise 60 (B1)/Roam 30/Roam 40/Roam 60 (B1)/Rail 40
11	11.1918.003.050	Hub Bearing Set Freehub Double Time (includes 2-63803D28) -X0 Hubs/Rise60 (B1)/Roam 30/Roam 40/Roam 60 (B1)/Rail 40
12	11.1918.000.011	Freehub Body with Bearings 9/10 Speed - X0 Hubs/Rise 60 (B1)/Roam 30/Roam 40/Rail 40/Rise XX
13	11.1918.000.012	Freehub Body with Bearings 11 Speed XD - X0 Hubs/Rise 60 (B1)/Roam 30/Roam 40/Rail 40/Rise XX

## CONVERSION END CAPS

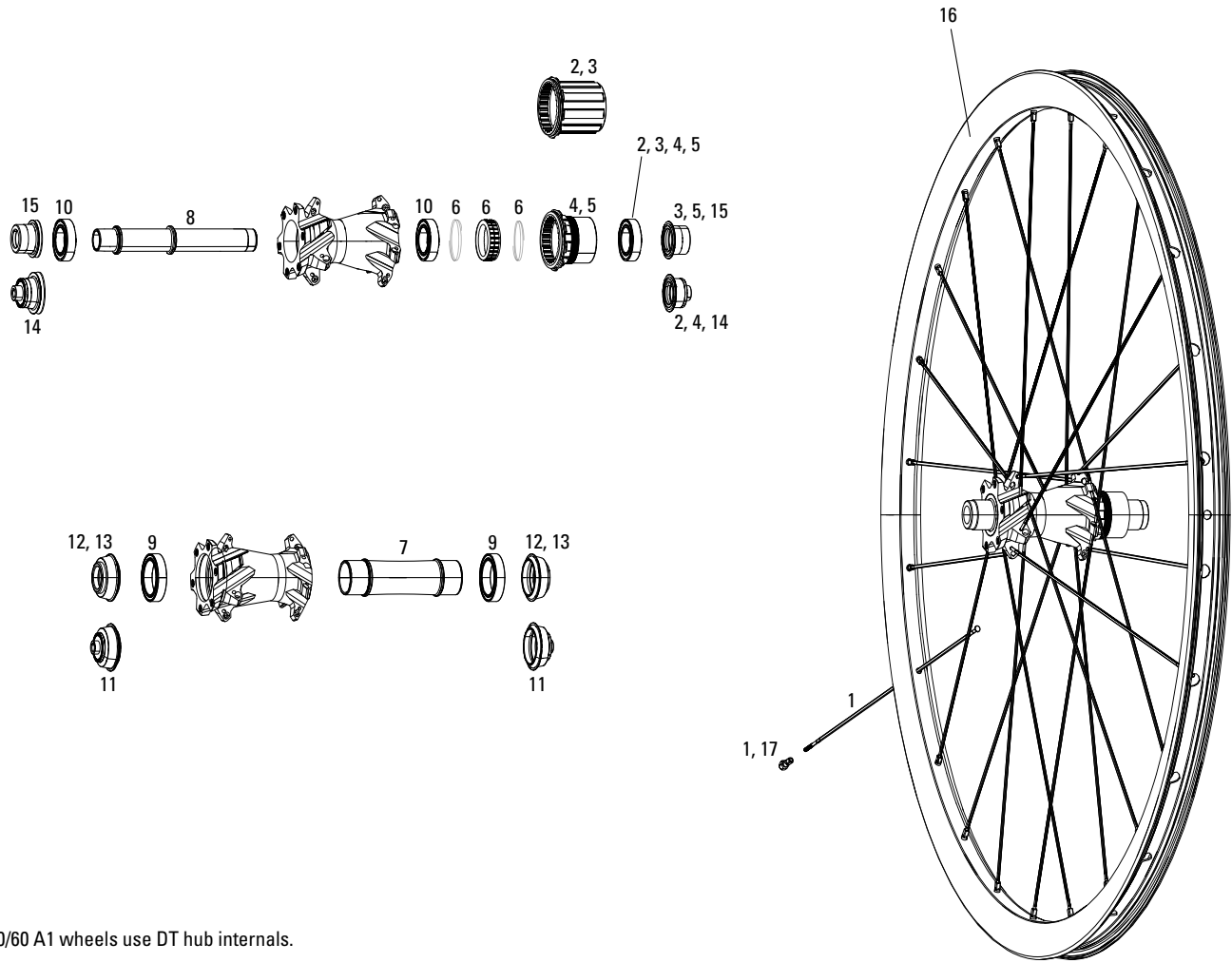
3	00.1918.145.000	Conversion Caps Hub Double Time Front, 9x100 QR 19mm Standard - X0Hubs/900Hubs/Rise60 (B1)/Roam30/Roam40/Roam60(B1)/Rail40/RiseXX
3	00.1918.145.001	Conversion Caps Hub Double Time Front, 9x100 QR 31mm RockShox - X0Hubs/900Hubs/Rise60 (B1)/Roam30/Roam40/Roam60(B1)/Rail40/RiseXX
4	00.1918.145.002	Conversion Caps Hub Double Time Front, 15x100mm Through Axle X0Hubs/900Hubs/Rise60 (B1)/Roam30/Roam40/Roam60(B1)/Rail40/RiseXX
4	00.1918.145.003	Conversion Caps Hub Double Time Front, 20x110 Through Axle -X0Hubs/900Hubs/Rise60 (B1)/Roam30/Roam40/Roam60(B1)/Rail40/RiseXX
5	00.1918.145.004	Conversion Caps Hub Double Time Rear, 10x135 QR, fits 9/10 Speed Driver Body - X0Hubs/900Hubs/Rise60 (B1)/Roam30/Roam40/Roam60(B1)/Rail40/RiseXX
5	00.1918.145.006	Conversion Caps Hub Double Time Rear, 10x135 QR, fits XD/XD-R Driver Bodies - X0Hubs/900Hubs/Rise60 (B1)/Roam30/Roam40/Roam60(B1)/Rail40/RiseXX
6	00.1918.145.007	Conversion Caps Hub Double Time Rear, 12x142/12x157 X0 DH/12x148 Boost, fits XD/XD-R Driver Bodies - X0Hubs/900Hubs/Rise60 (B1)/Roam30/Roam40/Roam60(B1)/Rail40/RiseXX
6	00.1918.145.009	Conversion Caps Hub Double Time Rear, 12x135 Through Axle, fits 9/10 Speed Driver Body - X0Hubs/900Hubs/Rise60 (B1)/Roam30/Roam40/Roam60(B1)/Rail40/RiseXX
6	00.1918.145.010	Conversion Caps Hub Double Time Rear, 12x142/12x157 X0 DH/12x148 Boost, Through Axle,9/10 Speed Driver Body - X0Hubs/900Hubs/Rise60 (B1)/Roam30/Roam40/Roam60(B1)/Rail40/RiseXX
6	00.1918.145.012	Conversion Caps Hub Double Time Rear - 12x135, 12X150 X0 DHThrough Axle, fits XD/XD-R Driver Bodies - X0Hubs/900Hubs/Rise60 (B1)/Roam30/Roam40/Roam60(B1)/Rail40/RiseXX

## QUICK RELEASE & MAXLES

ns	00.1915.232.010	Quick Release Pair Rise 60 Stainless
ns	00.1915.002.020	Quick Release Pair X.9 Steel Black for MTB Wheels
ns	00.4318.005.001	Axle Maxle Ultimate Front MTB, 15x100, Length 148mm, ThreadLength 9mm, Thread Pitch M15x1.50 - PIKE, RS1, Lyrik B1, Yari
ns	00.4318.005.002	Axle Maxle Lite Front MTB, 15x100, Length 148mm, Thread Length 9mm, Thread Pitch M15x1.50 - SID/Reba/Revelation/Recon/Sektor/XC32 See also Maxle page

## TOOLS & SUPPORT

15	00.1915.232.010	Bearing Press Tool 23327, Front Hub - X0 Hubs/900 Hubs/Rise60 (B1)/Roam 30/Roam 40/Roam 60(B1)/Rail 40/Rise XX
16	00.1915.002.020	Bearing Press Tools 6903/63803D28, Rear Hub - X0 Hubs/Rise 60 (B1)/Roam 30/Roam 40/Rail 40/Rise XX
17	00.4318.005.001	Bearing Press Tool 275377, Predictive Steering Front Hub - Rise60(A1,B1)/Roam50/Rise XX
ns	00.4318.005.002	Grease SRAM Butter 20ml Syringe, Friction Reducing Grease bySlickoleum - Recommended for X0/Rise XX/Roam 40, 30/Rail 40/Rise 60 B1/ Hub Pawls, RockShox Forks and Reverb Service



**NOTES:**

11. Roam 50/60 A1 wheels use DT hub internals.

**RIM SPARE PARTS**

**No. Part Number Description**

1	11.1918.027.000	Spokes & Nipples & Washers 3-pack 268mm CX-Sprint Straight-Pull External Black - Roam 60 26"
1	11.1918.027.001	Spokes & Nipples & Washers 3-pack 280mm CX-Sprint Straight-Pull External Black - Roam 60 27.5"
1	11.1918.027.002	Spokes & Nipples & Washers 3-pack 298mm CX-Sprint Straight-Pull External Black - Roam 60 29"
1	11.1918.027.003	Spokes & Nipples 3-pack 270mm Bladed Straight-Pull ExternalBlack - Roam 50 26"
1	11.1918.027.004	Spokes & Nipples 3-pack 281mm Bladed Straight-Pull ExternalBlack - Roam 50 27.5"
1	11.1918.027.005	Spokes & Nipples 3-pack 300mm Bladed Straight-Pull ExternalBlack - Roam 50 29"
16	11.1918.028.003	Rim Roam 50 24H 26" Asymmetric Aluminum Black With Decals
16	11.1918.028.004	Rim Roam 50 24H 27.5" Asymmetric Aluminum Black With Decals
16	11.1918.028.005	Rim Roam 50 24H 29" Asymmetric Aluminum Black With Decals
16	11.1918.028.000	Rim Roam 60 24H 26" Asymmetric Carbon Black With Decals
16	11.1918.028.001	Rim Roam 60 24H 27.5" Asymmetric Carbon Black With Decals
16	11.1918.028.002	Rim Roam 60 24H 29" Asymmetric Carbon Black With Decals
17	11.1918.033.001	Spoke Nipples Alloy for Rise 60/XX, Roam 50/60 and Rail series wheels 2.0 X 14 - QTY 24
ns	00.1918.126.004	Tubeless Kit Includes 26mm Tape, 2 Universal Valves & 1 Valve Core Wrench (Fits 21mm inner width rims, Rise 60 [B1]/Roam[A1]Wheels)
ns	00.1918.325.000	Tubeless Universal Valve, Removable Valve Core (includes 1 tubeless valve & 1 valve core wrench) - SRAM MTB Wheels



## HUB SPARE PARTS

No.	Part Number	Description
2	00.1918.125.015	Conversion Cap and 9/10 Speed Driver Body Wheel Roam60/50, Rail50 Rear 135/QR (DT Part No. HWYABX00S1239S)
3	00.1918.125.016	Conversion Cap and 9/10 Speed Driver Body Wheel Roam60/50, Rail50 Rear 135/12mm Thru Axle (DT Part No. HWRABX00S1239S)
3	00.1918.125.017	Conversion Cap and 9/10 Speed Driver Body Wheel Roam60/50, Rail50 Rear 142/12mm Thru Axle (DT Part No. HWRABX00S1239S)
4	00.1918.125.009	Conversion Cap and XD Driver Body Wheel Roam60/50, Rail50 Rear 135/QR (DT Part No. HWYAX00S3115S)
6	11.1918.029.000	Star Ratchets/Springs 18T Roam 50,60/Rail 50 (DT Part No. HWTXXX00NSK24S)
6	11.1918.029.001	Star Ratchets/Springs 36T Roam 50,60/Rail 50 (DT Part No. HWDXXX00N2884S)
7	11.1918.029.002	Hub Axle Front Roam 60/Rail 50 (DT Part No. HCCXXX00S1792S)
7	11.1918.029.003	Hub Axle Front Roam 50 (DT Part No. HRCXXX00N2147S)
8	11.1918.029.004	Hub Axle Rear Roam 50,60/Rail 50 (DT Part No. HCCXXX00S2216S)
9	11.1918.029.005	Hub Bearing Set Front Roam 60/Rail 50 - 6805 Qty 2 (DT PartNo. HSBXXX00N2453S)
9	11.1918.029.006	Hub Bearing Set Front Roam 50 - 6903/61903 Qty 2 (DT Part No. HSBXXX00N2148S)
10	11.1918.029.007	Hub Bearing Set Rear Roam 50,60/Rail 50 - 6902 Qty 2 (DT Part No. HSBXXX00N1468S)

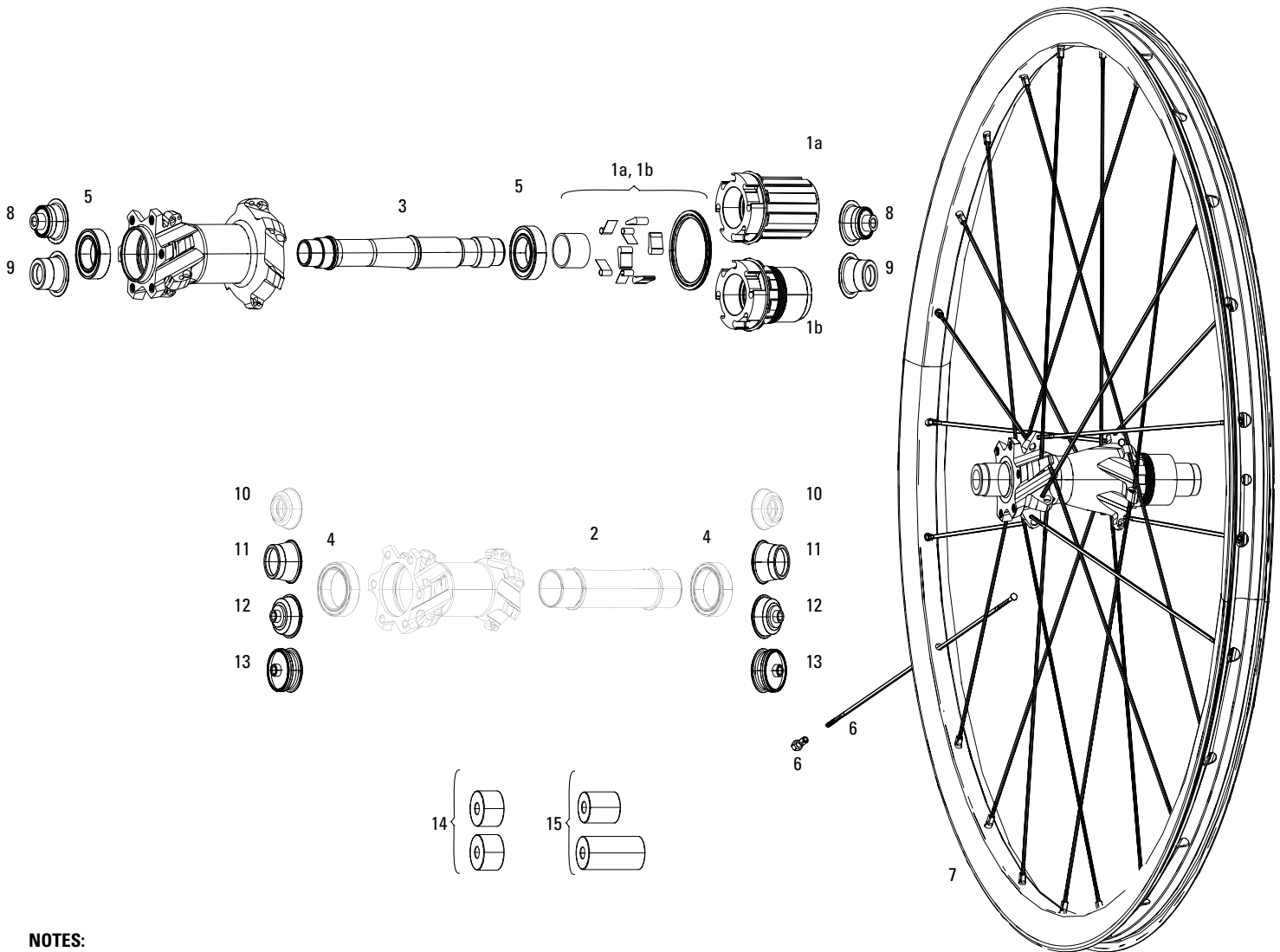
## CONVERSION END CAPS

No.	Part Number	Description
5	00.1918.125.010	Conversion Cap and XD Driver Body Wheel Roam60/50, Rail50 Rear 135/12mm Thru Axle (DT Part No. HWYAX00S3382S)
5	00.1918.125.011	Conversion Cap and XD Driver Body Wheel Roam60/50, Rail50 Rear 142/12mm Thru Axle (DT Part No. HWYAX00S3188S)
11	00.1918.125.001	Conversion Caps Wheel Roam60/Rail50 Front 100/9mm QR 19mm (DT Part No. HWYXXX00S2479S)
11	00.1918.125.004	Conversion Caps Wheel Roam50 Front 100/9mm QR 19mm (DT PartNo. N/A)
12	00.1918.125.002	Conversion Caps Wheel Roam60/Rail50 Front 100/15mm Thru Axle(DT Part No. HWYXXX00S2477S)
12	00.1918.125.005	Conversion Caps Wheel Roam50 Front 100/15mm Thru Axle (DT Part No. N/A)
13	00.1918.125.003	Conversion Caps Wheel Roam60/Rail50 Front 110/20mm Thru Axle(DT Part No. HWYXXX00S2480S)
14	00.1918.125.006	Conversion Caps Wheel Roam60/50, Rail50 Rear 135/QR (DT PartNo. HWGXXX0001528S)
14	00.1918.125.012	Conversion Caps XD Wheel Roam 60/50, Rail50 Rear 135/QR (DTPart No. HWGXXX00S3115S)
15	00.1918.125.007	Conversion Caps Wheel Roam60/50, Rail50 Rear 135/12mm Thru Axle (DT Part No. N/A)
15	00.1918.125.013	Conversion Caps XD Wheel Roam 60/50, Rail50 Rear 135/12mm Thru Axle (DT Part No. HWGXXX00S3382S)
15	00.1918.125.008	Conversion Caps Wheel Roam60/50, Rail50 Rear 142/12mm Thru Axle (DT Part No. HWGXXX0002193C)
15	00.1918.125.014	Conversion Caps XD Wheel Roam 60/50, Rail50 Rear 142/12mm Thru Axle (DT Part No. HWGXXX00S3188S)

## QUICK RELEASE & MAXLES

No.	Part Number	Description
ns	00.1915.232.010	Quick Release Pair Rise 60 Stainless
ns	00.1915.002.020	Quick Release Pair X.9 Steel Black for MTB Wheels
ns	00.4318.005.001	Axle Maxle Ultimate Front MTB, 15x100, Length 148mm, ThreadLength 9mm, Thread Pitch M15x1.50 - PIKE, RS1, Lyrik B1, Yari
ns	00.4318.005.002	Axle Maxle Lite Front MTB, 15x100, Length 148mm, Thread Length 9mm, Thread Pitch M15x1.50 - SID/Reba/Revelation/Recon/ Sektor/XC32 See also Maxle page





**NOTES:**

1. Roam 60 B1 wheels use Double Time hub internals.

**RIM SPARE PARTS**

**No. Part Number Description**

6	11.1918.027.025	Spokes & Nipples & Washers 3-pack 283mm CX-Sprint Straight-Pull External Black - Roam 60 (B1) 27.5"
7	11.1918.028.026	Rim Roam 60 24H 27.5" Asymmetric With Decals B1
ns	11.1915.084.210	Decal Pack - Yellow/ Orange/ Red-orange/ Green/ Water Blue/Oxy Red/ Silver (includes 8 full decal kits, one for each listed color, enough for 2 wheels each) - Roam 60 B1
ns	00.1918.126.006	Tubeless Kit Includes 32mm Tape, 2 Universal Valves & 1 Valve Core Wrench (Fits 30mm inner width rims, ROAM 60[B1] Wheels)
ns	00.1918.325.000	Tubeless Universal Valve, Removable Valve Core (includes 1 tubeless valve & 1 valve core wrench) - SRAM MTB Wheels

**HUB SPARE PARTS**

1a	11.1918.000.011	Freehub Body with Bearings 9/10 Speed - X0 Hubs/Rise 60 (B1)/Roam 30/Roam 40/Rail 40/Rise XX
1b	11.1918.000.012	Freehub Body with Bearings 11 Speed XD - X0 Hubs/Rise 60 (B1)/Roam 30/Roam 40/Rail 40/Rise XX
2	11.1918.002.012	Hub Axle Front - X0 Hubs/Rise 60 (B1)/Roam 30/Roam 40/Rail 40/Rise XX/900
2	11.1918.002.016	Hub Axle Front Double Time 15x110 Boost Compatible (only for Boost front hubs) - X0 A1/ Roam 30/40/Roam 60 (B1)/ 900
3	11.1918.002.013	Hub Axle Rear - X0 Hubs/Rise 60 (B1)/Roam 30/Roam 40/Rail 40/Rise XX
3	11.1918.002.015	Hub Axle Rear X0 12X148 Boost Compatible (only for Boost rear hubs) - X0, Roam 30/40, Rail 40
4	11.1918.003.030	Hub Bearing Set Front Double Time (includes 2-23327) - X0 Hubs/Rise 60 (B1)/Roam 30/Roam 40/Roam 60 (B1)/Rail 40
5	11.1918.003.040	Hub Bearing Set Rear Double Time (includes 1-6903/61903 & 1-63803D28) - X0 Hubs/Rise 60 (B1)/Roam 30/Roam 40/Roam 60 (B1)/Rail 40
ns	11.1918.003.050	Hub Bearing Set Freehub Double Time (includes 2-63803D28) -X0 Hubs/Rise60 (B1)/Roam 30/Roam 40/Roam 60 (B1)/Rail 40



## CONVERSION END CAPS

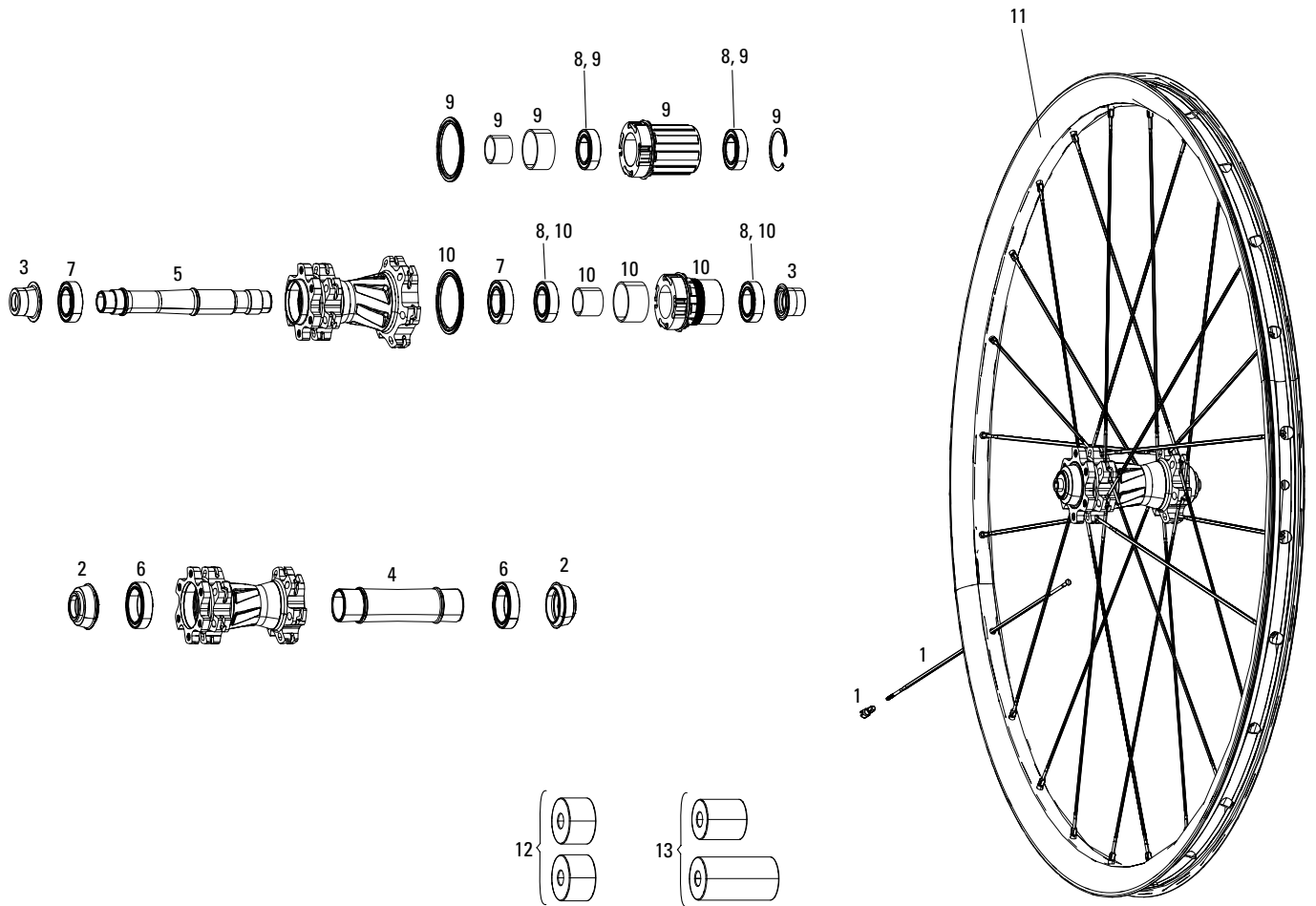
No.	Part Number	Description
8	00.1918.145.004	Conversion Caps Hub Double Time Rear, 10x135 QR, fits 9/10 Speed Driver Body - X0Hubs/900Hubs/Rise60 (B1)/Roam30/Roam40/Roam60(B1)/Rail40/RiseXX
8	00.1918.145.006	Conversion Caps Hub Double Time Rear, 10x135 QR, fits XD/XD-R Driver Bodies - X0Hubs/900Hubs/Rise60 (B1)/Roam30/Roam40/Roam60(B1)/Rail40/RiseXX
9	00.1918.145.007	Conversion Caps Hub Double Time Rear, 12x142/12x157 X0 DH/12x148 Boost, fits XD/XD-R Driver Bodies - X0Hubs/900Hubs/Rise60 (B1)/Roam30/Roam40/Roam60(B1)/Rail40/RiseXX
9	00.1918.145.010	Conversion Caps Hub Double Time Rear, 12x142/12x157 X0 DH/12x148 Boost, Through Axle,9/10 Speed Driver Body - X0Hubs/900Hubs/Rise60 (B1)/Roam30/Roam40/Roam60(B1)/Rail40/RiseXX
9	00.1918.145.009	Conversion Caps Hub Double Time Rear, 12x135 Through Axle, fits 9/10 Speed Driver Body - X0Hubs/900Hubs/Rise60 (B1)/Roam30/Roam40/Roam60(B1)/Rail40/RiseXX
9	00.1918.145.012	Conversion Caps Hub Double Time Rear - 12x135, 12x150 X0 DHThrough Axle, fits XD/XD-R Driver Bodies - X0Hubs/900Hubs/Rise60 (B1)/Roam30/Roam40/Roam60(B1)/Rail40/RiseXX
10	00.1918.145.002	Conversion Caps Hub Double Time Front, 15x100mm Through Axle X0Hubs/900Hubs/Rise60 (B1)/Roam30/Roam40/Roam60(B1)/Rail40/RiseXX
10	00.1918.145.011	Conversion Caps Hub Double Time Front, 15x100/15x110 Boost,31mm Through Axle,Torque Cap RockShox Forks - X0Hubs/900Hubs/Rise60 (B1)/Roam30/Roam40/Roam60(B1)/Rail40/RiseXX
11	00.1918.145.003	Conversion Caps Hub Double Time Front, 20x110 Through Axle -X0Hubs/900Hubs/Rise60 (B1)/Roam30/Roam40/Roam60(B1)/Rail40/RiseXX
12	00.1918.145.000	Conversion Caps Hub Double Time Front, 9x100 QR 19mm Standard - X0Hubs/900Hubs/Rise60 (B1)/Roam30/Roam40/Roam60(B1)/Rail40/RiseXX
13	00.1918.145.001	Conversion Caps Hub Double Time Front, 9x100 QR 31mm RockShox - X0Hubs/900Hubs/Rise60 (B1)/Roam30/Roam40/Roam60(B1)/Rail40/RiseXX

## QUICK RELEASE & MAXLES

No.	Part Number	Description
ns	00.1915.232.010	Quick Release Pair Rise 60 Stainless
ns	00.1915.002.020	Quick Release Pair X.9 Steel Black for MTB Wheels
ns	00.4318.005.001	Axle Maxle Ultimate Front MTB, 15x100, Length 148mm, ThreadLength 9mm, Thread Pitch M15x1.50 - PIKE, RS1, Lyrik B1, Yari
ns	00.4318.005.002	Axle Maxle Lite Front MTB, 15x100, Length 148mm, Thread Length 9mm, Thread Pitch M15x1.50 - SID/Reba/Revelation/Recon/Sektor/XC32 See also Maxle page

## TOOLS & SUPPORT

No.	Part Number	Description
14	00.1918.177.010	Bearing Press Tool 23327, Front Hub - X0 Hubs/900 Hubs/Rise60 (B1)/Roam 30/Roam 40/Roam 60(B1)/Rail 40/Rise XX
15	00.1918.177.040	Bearing Press Tools 6903/63803D28, Rear Hub - X0 Hubs/900 Hubs/Rise 60 (B1)/Roam 30/Roam 40/Roam 60(B1)/Rail 40/Rise XX
ns	00.4318.008.000	Grease SRAM Butter 20ml Syringe, Friction Reducing Grease bySlickoleum - Recommended for X0/Rise XX/Roam 40, 30/Rail 40/Rise 60 B1/ Hub Pawls, RockShox Forks and Reverb Service



**NOTES:**

1. Rail 40 wheels use Double Time hub internals.

**RIM SPARE PARTS**

**No. Part Number Description**

1	11.1918.027.013	Spokes & Nipples 3-pack 276mm Straight-Pull External Black -Roam 40/Rail 40 27.5"
1	11.1918.027.014	Spokes & Nipples 3-pack 294mm Straight-Pull External Black -Roam 40/Rail 40 29"
1	11.1918.027.019	Spokes & Nipples 24-pack 276mm Straight-Pull External Black Roam 40/Rail 40 27.5" (includes qty for complete wheel build)
1	11.1918.027.020	Spokes & Nipples 24-pack 294mm Straight-Pull External Black Roam 40/Rail 40 29" (includes qty for complete wheel build)
11	11.1918.028.024	Rim Rail 40 24H 27.5" Asymmetric Aluminum Black With Decals
11	11.1918.028.025	Rim Rail 40 24H 29" Asymmetric Aluminum Black With Decals
ns	11.1915.084.190	Decal Kit - Rail 40 MTB 27 Black/Silver wheel (Silver/White/Black decal) - 1 Rim
ns	11.1915.084.200	Decal Kit - Rail 40 MTB 29 Black/Silver wheel (Silver/White/Black decal) - 1 Rim
ns	00.1918.126.005	Tubeless Kit Includes 28mm Tape, 2 Universal Valves & 1 Valve Core Wrench (Fits 23mm inner width rims, Rail [A1] Wheels)
ns	00.1918.325.000	Tubeless Universal Valve, Removable Valve Core (includes 1 tubeless valve & 1 valve core wrench) - SRAM MTB Wheels

**HUB SPARE PARTS**

4	11.1918.002.012	Hub Axle Front - X0 Hubs/Rise 60 (B1)/Roam 30/Roam 40/Rail 40/Rise XX/900
4	11.1918.002.016	Hub Axle Front Double Time 15x110 Boost Compatible (only for Boost front hubs) - X0 A1/ Roam 30/40/Roam 60 (B1)/ 900
5	11.1918.002.013	Hub Axle Rear - X0 Hubs/Rise 60 (B1)/Roam 30/Roam 40/Rail 40/Rise XX
5	11.1918.002.015	Hub Axle Rear X0 12X148 Boost Compatible (only for Boost rear hubs) - X0, Roam 30/40, Rail 40
6	11.1918.003.030	Hub Bearing Set Front Double Time (includes 2-23327) - X0 Hubs/Rise 60 (B1)/Roam 30/Roam 40/Roam 60 (B1)/Rail 40
7	11.1918.003.040	Hub Bearing Set Rear Double Time (includes 1-6903/61903 & 1-63803D28) - X0 Hubs/Rise 60 (B1)/Roam 30/Roam 40/Roam 60 (B1)/Rail 40
8	11.1918.003.050	Hub Bearing Set Freehub Double Time (includes 2-63803D28) -X0 Hubs/Rise60 (B1)/Roam 30/Roam 40/Roam 60 (B1)/Rail 40
9	11.1918.000.011	Freehub Body with Bearings 9/10 Speed - X0 Hubs/Rise 60 (B1)/Roam 30/Roam 40/Rail 40/Rise XX
10	11.1918.000.012	Freehub Body with Bearings 11 Speed XD - X0 Hubs/Rise 60 (B1)/Roam 30/Roam 40/Rail 40/Rise XX



## CONVERSION END CAPS

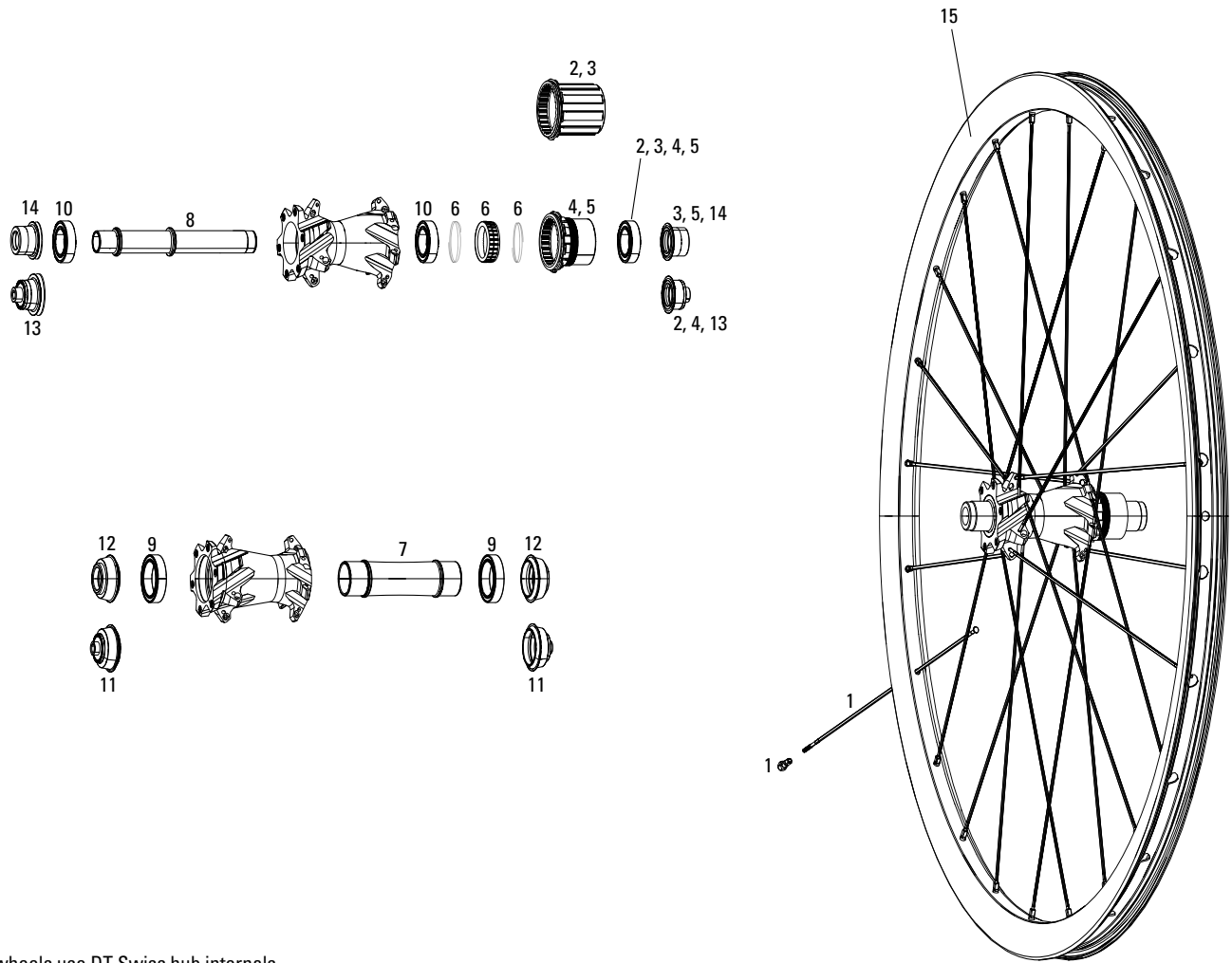
No.	Part Number	Description
2	00.1918.145.000	Conversion Caps Hub Double Time Front, 9x100 QR 19mm Standard - X0Hubs/900Hubs/Rise60 (B1)/Roam30/Roam40/Roam60(B1)/Rail40/RiseXX
2	00.1918.145.001	Conversion Caps Hub Double Time Front, 9x100 QR 31mm RockShox - X0Hubs/900Hubs/Rise60 (B1)/Roam30/Roam40/Roam60(B1)/Rail40/RiseXX
2	00.1918.145.002	Conversion Caps Hub Double Time Front, 15x100mm Through Axle X0Hubs/900Hubs/Rise60 (B1)/Roam30/Roam40/Roam60(B1)/Rail40/RiseXX
2	00.1918.145.011	Conversion Caps Hub Double Time Front, 15x100/15x110 Boost,31mm Through Axle,Torque Cap RockShox Forks - X0Hubs/900Hubs/Rise60 (B1)/Roam30/Roam40/Roam60(B1)/Rail40/RiseXX
2	00.1918.145.003	Conversion Caps Hub Double Time Front, 20x110 Through Axle -X0Hubs/900Hubs/Rise60 (B1)/Roam30/Roam40/Roam60(B1)/Rail40/RiseXX
2	00.1918.145.011	Conversion Caps Hub Double Time Front, 15x100/15x110 Boost,31mm Through Axle,Torque Cap RockShox Forks - X0Hubs/900Hubs/Rise60 (B1)/Roam30/Roam40/Roam60(B1)/Rail40/RiseXX
3	00.1918.145.004	Conversion Caps Hub Double Time Rear, 10x135 QR, fits 9/10 Speed Driver Body - X0Hubs/900Hubs/Rise60 (B1)/Roam30/Roam40/Roam60(B1)/Rail40/RiseXX
3	00.1918.145.006	Conversion Caps Hub Double Time Rear, 10x135 QR, fits XD/XD-R Driver Bodies - X0Hubs/900Hubs/Rise60 (B1)/Roam30/Roam40/Roam60(B1)/Rail40/RiseXX
3	00.1918.145.007	Conversion Caps Hub Double Time Rear, 12x142/12x157 X0 DH/12x148 Boost, fits XD/XD-R Driver Bodies - X0Hubs/900Hubs/Rise60 (B1)/Roam30/Roam40/Roam60(B1)/Rail40/RiseXX
3	00.1918.145.009	Conversion Caps Hub Double Time Rear, 12x135 Through Axle, fits 9/10 Speed Driver Body - X0Hubs/900Hubs/Rise60 (B1)/Roam30/Roam40/Roam60(B1)/Rail40/RiseXX
3	00.1918.145.010	Conversion Caps Hub Double Time Rear, 12x142/12x157 X0 DH/12x148 Boost, Through Axle,9/10 Speed Driver Body - X0Hubs/900Hubs/Rise60 (B1)/Roam30/Roam40/Roam60(B1)/Rail40/RiseXX
3	00.1918.145.012	Conversion Caps Hub Double Time Rear - 12x135, 12X150 X0 DHThrough Axle, fits XD/XD-R Driver Bodies - X0Hubs/900Hubs/Rise60 (B1)/Roam30/Roam40/Roam60(B1)/Rail40/RiseXX

## QUICK RELEASE & MAXLES

No.	Part Number	Description
ns	00.1915.232.010	Quick Release Pair Rise 60 Stainless
ns	00.1915.002.020	Quick Release Pair X.9 Steel Black for MTB Wheels
ns	00.4318.005.001	Axle Maxle Ultimate Front MTB, 15x100, Length 148mm, ThreadLength 9mm, Thread Pitch M15x1.50 - PIKE, RS1, Lyrik B1, Yari
ns	00.4318.005.002	Axle Maxle Lite Front MTB, 15x100, Length 148mm, Thread Length 9mm, Thread Pitch M15x1.50 - SID/Reba/Revelation/Recon/Sektor/XC32 See also Maxle page

## TOOLS & SUPPORT

No.	Part Number	Description
12	00.1918.177.010	Bearing Press Tool 23327, Front Hub - X0 Hubs/900 Hubs/Rise60 (B1)/Roam 30/Roam 40/Roam 60(B1)/Rail 40/Rise XX
13	00.1918.177.020	Bearing Press Tools 6903/63803D28, Rear Hub - X0 Hubs/Rise 60 (B1)/Roam 30/Roam 40/Rail 40/Rise XX
ns	00.4318.008.000	Grease SRAM Butter 20ml Syringe, Friction Reducing Grease bySlickoleum - Recommended for X0/Rise XX/Roam 40, 30/Rail 40/Rise 60 B1/ Hub Pawls, RockShox Forks and Reverb Service



**NOTES:**

1. RAIL 50 wheels use DT Swiss hub internals.

**RIM SPARE PARTS**

**No. Part Number Description**

1	11.1918.027.006	Spokes & Nipples 3-pack 270mm Bladed Straight-Pull ExternalBlack - Rail 50 26"
1	11.1918.027.007	Spokes & Nipples 3-pack 281mm Bladed Straight-Pull ExternalBlack - Rail 50 27.5"
1	11.1918.027.008	Spokes & Nipples 3-pack 300mm Bladed Straight-Pull ExternalBlack - Rail 50 29"
15	11.1918.028.006	Rim Rail 50 24H 26" Asymmetric Aluminum Black With Decals
15	11.1918.028.007	Rim Rail 50 24H 27.5" Asymmetric Aluminum Black With Decals
15	11.1918.028.008	Rim Rail 50 24H 29" Asymmetric Aluminum Black With Decals
ns	00.1918.126.005	Tubeless Kit Includes 28mm Tape, 2 Universal Valves & 1 Valve Core Wrench (Fits 23mm inner width rims, Rail [A1] Wheels)
ns	00.1918.325.000	Tubeless Universal Valve, Removable Valve Core (includes 1 tubeless valve & 1 valve core wrench) - SRAM MTB Wheels

**HUB SPARE PARTS**

2	00.1918.125.015	Conversion Cap and 9/10 Speed Driver Body Wheel Roam60/50, Rail50 Rear 135/QR (DT Part No. HWYABX00S1239S)
3	00.1918.125.016	Conversion Cap and 9/10 Speed Driver Body Wheel Roam60/50, Rail50 Rear 135/12mm Thru Axle (DT Part No. HWRABX00S1239S)
3	00.1918.125.017	Conversion Cap and 9/10 Speed Driver Body Wheel Roam60/50, Rail50 Rear 142/12mm Thru Axle (DT Part No. HWRABX00S1239S)
4	00.1918.125.009	Conversion Cap and XD Driver Body Wheel Roam60/50, Rail50 Rear 135/QR (DT Part No. HWYAAAX00S3115S)
5	00.1918.125.010	Conversion Cap and XD Driver Body Wheel Roam60/50, Rail50 Rear 135/12mm Thru Axle (DT Part No. HWYAAAX00S3382S)
5	00.1918.125.011	Conversion Cap and XD Driver Body Wheel Roam60/50, Rail50 Rear 142/12mm Thru Axle (DT Part No. HWYAAAX00S3188S)
6	11.1918.029.000	Star Ratchets/Springs 18T Roam 50,60/Rail 50 (DT Part No. HWTXXX00NSK24S)
6	11.1918.029.001	Star Ratchets/Springs 36T Roam 50,60/Rail 50 (DT Part No. HWDXXX00N2884S)
7	11.1918.029.002	Hub Axle Front Roam 60/Rail 50 (DT Part No. HCCXXX00S1792S)
8	11.1918.029.004	Hub Axle Rear Roam 50,60/Rail 50 (DT Part No. HCCXXX00S2216S)
9	11.1918.029.005	Hub Bearing Set Front Roam 60/Rail 50 - 6805 Qty 2 (DT PartNo. HSBXXX00N2453S)
10	11.1918.029.007	Hub Bearing Set Rear Roam 50,60/Rail 50 - 6902Qty 2 (DT Part No. HSBXXX00N1468S)

## CONVERSION END CAPS

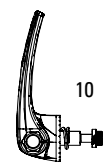
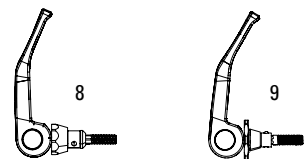
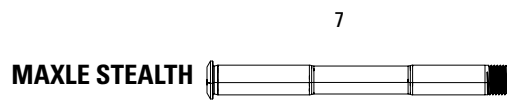
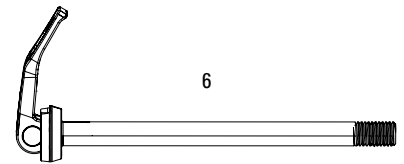
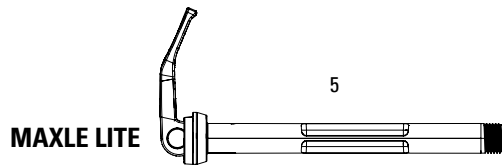
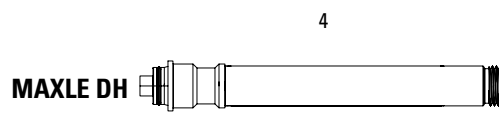
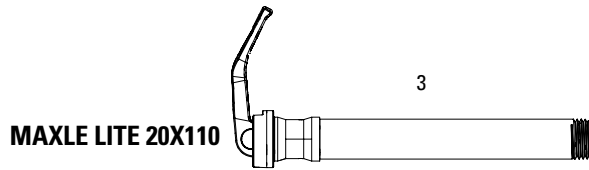
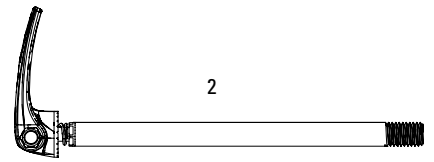
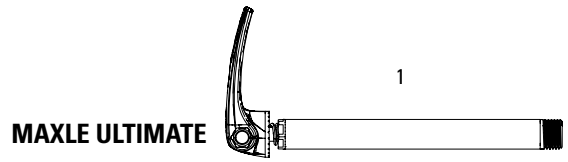
No.	Part Number	Description
11	00.1918.125.001	Conversion Caps Wheel Roam60/Rail50 Front 100/9mm QR 19mm (DT Part No. HWYXXX00S2479S)
12	00.1918.125.002	Conversion Caps Wheel Roam60/Rail50 Front 100/15mm Thru Axle(DT Part No. HWYXXX00S2477S)
12	00.1918.125.003	Conversion Caps Wheel Roam60/Rail50 Front 110/20mm Thru Axle(DT Part No. HWYXXX00S2480S)
13	00.1918.125.006	Conversion Caps Wheel Roam60/50, Rail50 Rear 135/QR (DT PartNo. HWGXXX0001528S)
13	00.1918.125.012	Conversion Caps XD Wheel Roam 60/50, Rail50 Rear 135/QR (DTPart No. HWGXXX00S3115S)
14	00.1918.125.007	Conversion Caps Wheel Roam60/50, Rail50 Rear 135/12mm Thru Axle (DT Part No. N/A)
14	00.1918.125.013	Conversion Caps XD Wheel Roam 60/50, Rail50 Rear 135/12mm Thru Axle (DT Part No. HWGXXX00S3382S)
14	00.1918.125.008	Conversion Caps Wheel Roam60/50, Rail50 Rear 142/12mm Thru Axle (DT Part No. HWGXXX0002193C)
14	00.1918.125.014	Conversion Caps XD Wheel Roam 60/50, Rail50 Rear 142/12mm Thru Axle (DT Part No. HWGXXX00S3188S)

## QUICK RELEASE & MAXLES

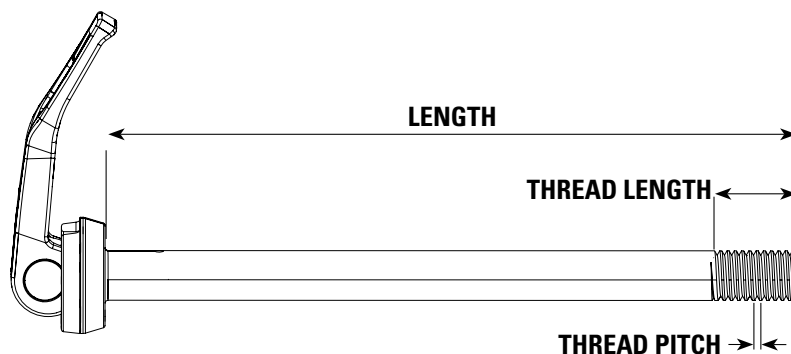
No.	Part Number	Description
ns	00.1915.232.010	Quick Release Pair Rise 60 Stainless
ns	00.1915.002.020	Quick Release Pair X.9 Steel Black for MTB Wheels
ns	00.4318.005.001	Axle Maxle Ultimate Front MTB, 15x100, Length 148mm, ThreadLength 9mm, Thread Pitch M15x1.50 - PIKE, RS1, Lyrik B1, Yari
ns	00.4318.005.002	Axle Maxle Lite Front MTB, 15x100, Length 148mm, Thread Length 9mm, Thread Pitch M15x1.50 - SID/Reba/Revelation/Recon/Sektor/XC32 See also Maxle page

**FRONT**

**REAR**



## MAXLE



### Note:

1. Rear Maxle requires compatible bicycle frame/drop-out.
2. Original (2008-2009) Rear Maxle assembly is no longer available.
3. Rear Maxle Lite or Ultimate lever and internals are NOT compatible with original Rear Maxle.

## MAXLE ULTIMATE

### No. Part Number Description

1	00.4318.005.001	Axle Maxle Ultimate Front MTB, 15x100, Length 148mm, ThreadLength 9mm, Thread Pitch M15x1.50 - PIKE, RS1, Lyrik B1, Yari
1	00.4318.005.007	Axle Maxle Ultimate Front MTB, 15x110, Length 158mm, ThreadLength 9mm, Thread Pitch M15x1.50 - PIKE, Lyrik B1, Yari Boost Compatible
1	00.4318.005.006	Axle Maxle Ultimate Front Road, 15x100, Length 125mm, ThreadLength 9mm, Thread Pitch M15x1.50 - Road
1	00.4318.005.005	Axle Maxle Ultimate Front Road, 12x100, Length 125mm, ThreadLength 12mm, Thread Pitch M12x1.50 - Road
2	00.4318.005.008	Axle Maxle Ultimate Rear MTB, 12x135, Length 167mm, Thread Length 20mm, Thread Pitch M12x1.75 - Standard
2	00.4318.005.009	Axle Maxle Ultimate Rear MTB, 12x142, Length 174mm, Thread Length 20mm, Thread Pitch M12x1.75 - Standard
2	00.4318.005.010	Axle Maxle Ultimate Rear MTB, 12x148, Length 180mm, Thread Length 20mm, Thread Pitch M12x1.75 - Boost Compatible
2	00.4318.005.011	Axle Maxle Ultimate Rear MTB, 12x150, Length 182mm, Thread Length 20mm, Thread Pitch M12x1.75 - Standard
2	00.4318.005.012	Axle Maxle Ultimate Rear MTB, 12x148, Length 188mm, Thread Length 20mm, Thread Pitch M12x1.75 - Boost Compatible
2	00.4318.005.013	Axle Maxle Ultimate Rear MTB, 12x142, Length 195mm, Thread Length 20mm, Thread Pitch M12x1.75 - Split Pivot Custom
2	00.4318.005.014	Axle Maxle Ultimate Rear MTB, 12x177, Length 217mm, Thread Length 20mm, Thread Pitch M12x1.75 - Fat Bike Custom
2	00.4318.005.015	Axle Maxle Ultimate Rear MTB, 12x197, Length 229mm, Thread Length 20mm, Thread Pitch M12x1.50 - Fat Bike Custom

## MAXLE 20X110

3	00.4315.013.010	Axle Maxle Lite Front MTB 20x110 Length 158mm Thread Length 9mm Thread Pitch M20x2.0 - 32mm Chassis (2011-2016)
3	00.4315.013.030	Axle Maxle Lite Front MTB 20x110 Length 165mm Thread Length 9mm Thread Pitch M20x2.0 - 35mm/40mm Chassis (2011-2016)
4	00.4315.013.040	Axle Maxle DH Front MTB 20x110 Length 165mm Thread Length 9mm Thread Pitch M20x2.0 - 35mm Chassis

## MAXLE LITE

5	00.4318.005.002	Axle Maxle Lite Front MTB, 15x100, Length 148mm, Thread Length 9mm, Thread Pitch M15x1.50 - SID/Reba/Revelation/Recon/Sektor/XC32
5	00.4318.005.003	Axle Maxle Lite Front MTB, 15x150, Length 198mm, Thread Length 9mm, Thread Pitch M15x1.50 - Bluto A1
5	00.4318.005.004	Axle Maxle Lite Front MTB, 15x110, Length 158mm, Thread Length 9mm, Thread Pitch M15x1.50 Boost Compatible - SID/Reba
6	00.4315.015.010	Axle Maxle Lite Rear 12x135, Length 167mm, Thread Length 20mm, Thread Pitch M12x1.75 - Standard
6	00.4315.015.020	Axle Maxle Lite Rear 12x142, Length 174mm, Thread Length 20mm, Thread Pitch M12x1.75 - Standard
6	00.4315.015.030	Axle Maxle Lite Rear 12x150, Length 182mm, Thread Length 20mm, Thread Pitch M12x1.75 - Standard

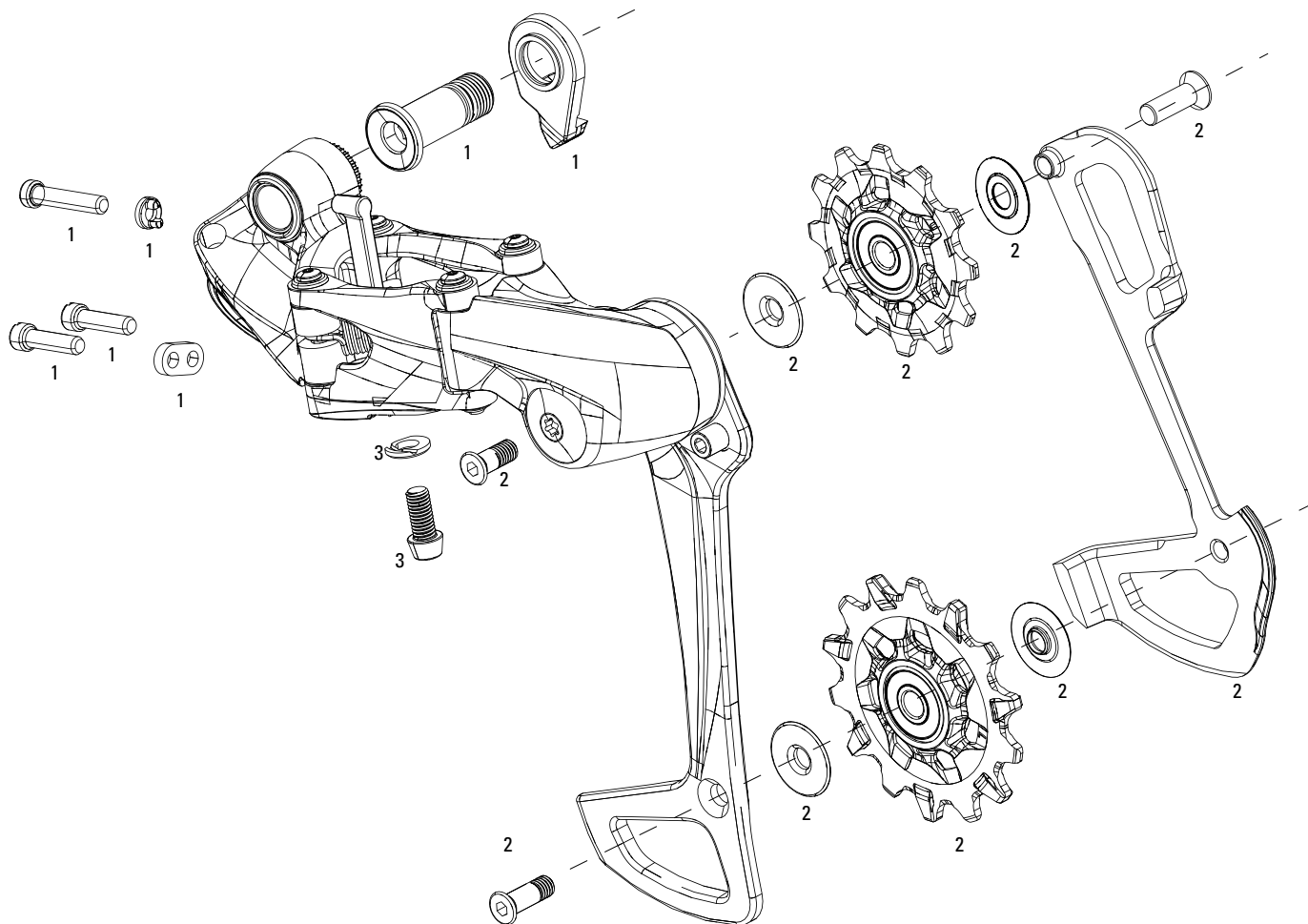
## MAXLE STEALTH

7	00.4318.005.016	Axle Maxle Stealth Front Road, 12x100, Length 125mm, ThreadLength 12mm, Thread Pitch M12x1.50 - Road
7	00.4318.005.017	Axle Maxle Stealth Front Road, 15x100, Length 125mm, ThreadLength 9mm, Thread Pitch M15x1.50 Road
7	00.4318.005.018	Axle Maxle Stealth Front MTB, 15x100, Length 148mm, Thread Length 9mm, Thread Pitch M15x1.50 (not compatible with RS-1) Standard
7	00.4318.005.019	Axle Maxle Stealth Front MTB, 15x110, Length 158mm, Thread Length 9mm, Thread Pitch M15x1.50 - Boost Compatible
7	00.4318.005.020	Axle Maxle Stealth Front MTB, 15x150, Length 198mm, Thread Length 9mm, Thread Pitch M15x1.50 - Bluto

## MAXLE LEVER

8	11.4318.004.001	Maxle Lite 15mm XC Lever Assembly
9	11.4315.010.010	Lever/Wedge Kit, Rear Maxle Lite 135/150mm (axle body)/MaxleLite 15mm (front) - Black Lever 2010-2013
10	11.4318.004.000	Maxle Ultimate Lever Assembly B1

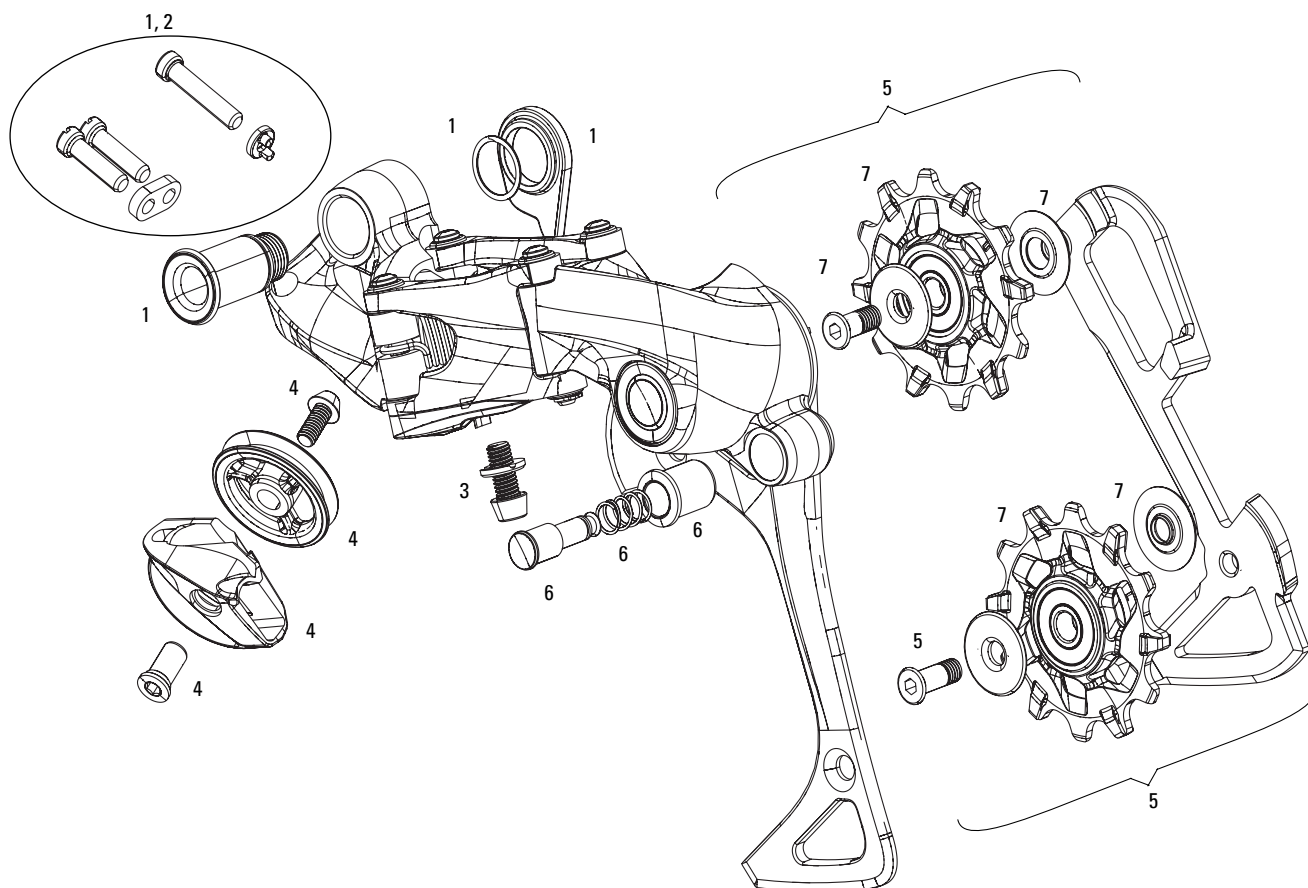




**NOTE:** XX1 / X01 Eagle rear derailleur is compatible with Eagle 1X12 crank and shifter only.

**No. Part Number Description**

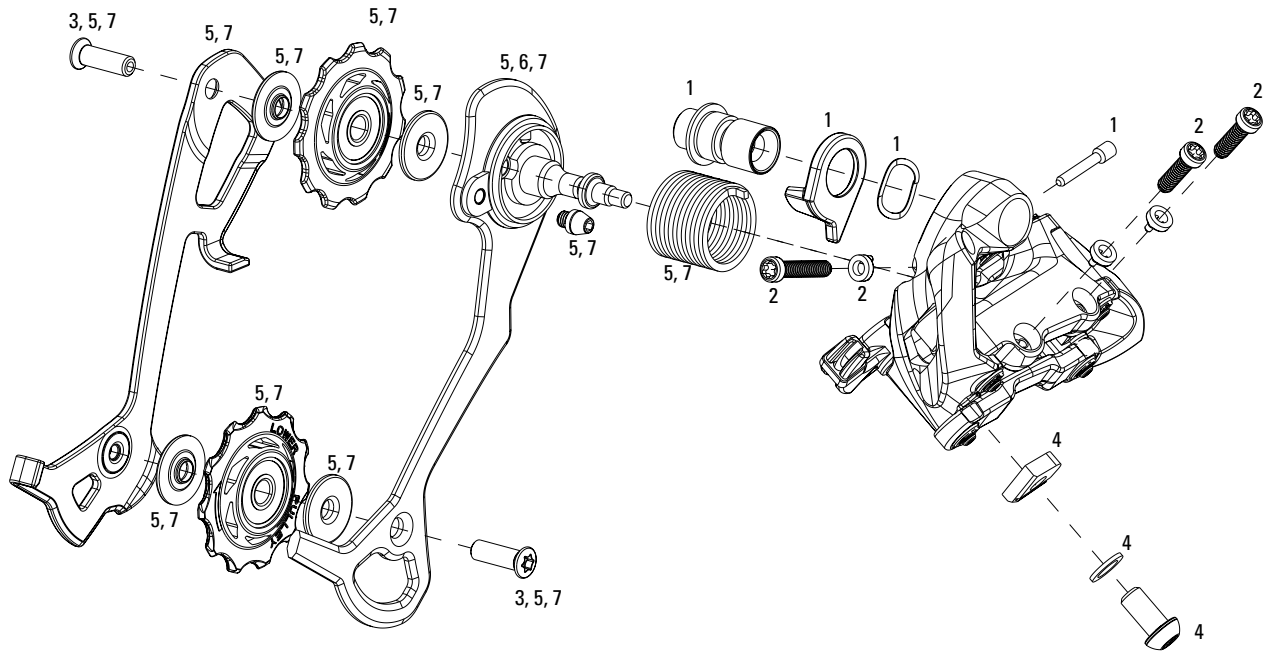
1	11.7518.076.000	XX1 Eagle Rear Derailleur B-Bolt and Limit Screw Kit Gold Hex5
1	11.7518.076.010	XX1 Eagle/X01/X1 Rear Derailleur B-Bolt and Limit Screw Kit Black Hex5
1	11.7518.080.000	X01 Eagle Rear Derailleur B-Bolt and Limit Screw Kit Hex5
2	11.7518.077.000	XX1 Eagle Rear Derailleur 12 speed X-Sync Pulleys and InnerCage Gold
2	11.7518.077.010	XX1 Eagle Rear Derailleur 12 speed X-Sync Pulleys and InnerCage Grey
2	11.7518.078.000	X01 Eagle Rear Derailleur 12 speed X-Sync Pulleys and InnerCage Red
2	11.7518.078.010	X01 Eagle Rear Derailleur 12 speed X-Sync Pulleys and InnerCage Grey
3	11.7518.079.000	X01 Eagle Rear Derailleur Cable Anchor Bolt and Washer Kit



**NOTE:** XX1 / X01 / X1 rear derailleur is compatible with 1X11 crank and shifter only.

**No. Part Number Description**

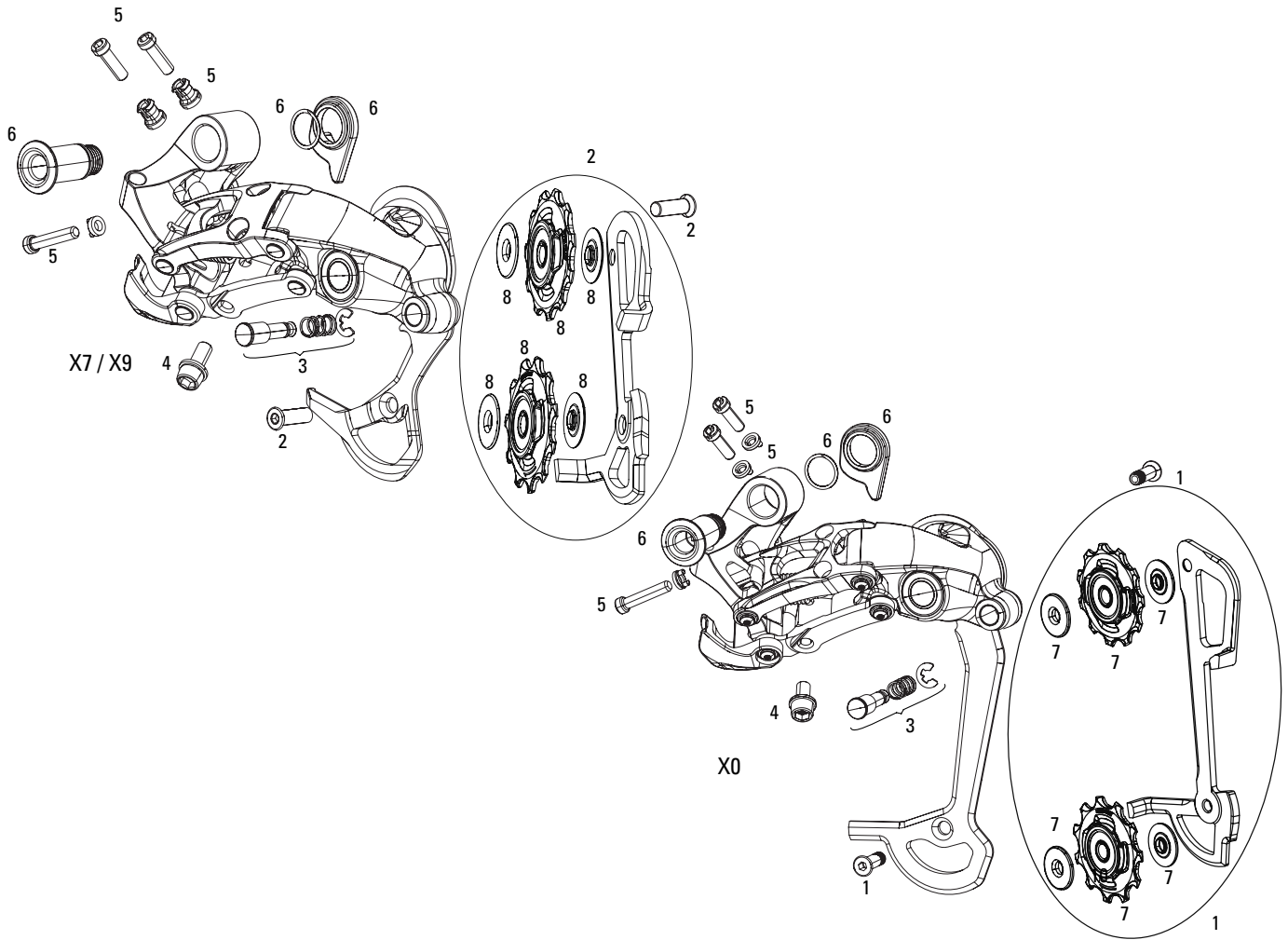
1	11.7518.014.000	XX1/X01/X1 Rear Derailleur B-Bolt and Limit Screw Kit Torx25
1	11.7518.081.000	XX1 Rear Derailleur B-Bolt and Limit Screw Kit Hex5
1	11.7518.076.010	XX1 Eagle/X01/X1 Rear Derailleur B-Bolt and Limit Screw Kit Black Hex5
1	11.7518.033.000	X01DH 7 Speed B-Bolt Kit Torx25
1	11.7518.068.000	GX DH/X01DH 7 Speed Rear Derailleur B-Bolt and Limit Screw Kit Hex5
1	11.7518.033.001	X01DH 10 Speed B-Bolt Kit Torx25
2	11.7518.034.000	RD X01 and X01DH B-Screw and Limit Screw Kit
3	11.7518.015.000	XX1 Rear Derailleur Cable Anchor Bolt and Washer Kit
3	11.7518.028.000	X01 Rear Derailleur Cable Anchor Bolt and Washer Kit
4	11.7518.016.000	XX1 Rear Derailleur Cable Pulley and Guide Kit
4	11.7518.029.000	X01 Rear Derailleur Cable Pulley and Guide Kit
5	11.7518.017.000	XX1 Rear Derailleur 11 speed X-Sync Pulleys and Inner Cage (Outer Cage Not Replaceable)
5	11.7518.030.000	X01 Rear Derailleur 11 Speed X-Sync Pulleys and Inner Cage (Outer Cage Not Replaceable)
5	11.7518.031.000	X01DH Pulleys and Inner Cage - Short
5	11.7518.031.001	X01DH Pulleys and Inner Cage - Medium
6	11.7518.045.000	Rear Derailleur Clutch Cage Lock with Spring Qty 1
7	00.7518.025.000	BlackBox Ceramic Hybrid Bearing Pulleys XX1 X-Sync 11speed
7	11.7518.032.000	RD X01/X01DH/X1/CX1 X-Sync Pulley Assembly



**NOTE:** XX rear derailleur is compatible with 10 speed exact actuation cranks and shifters only.

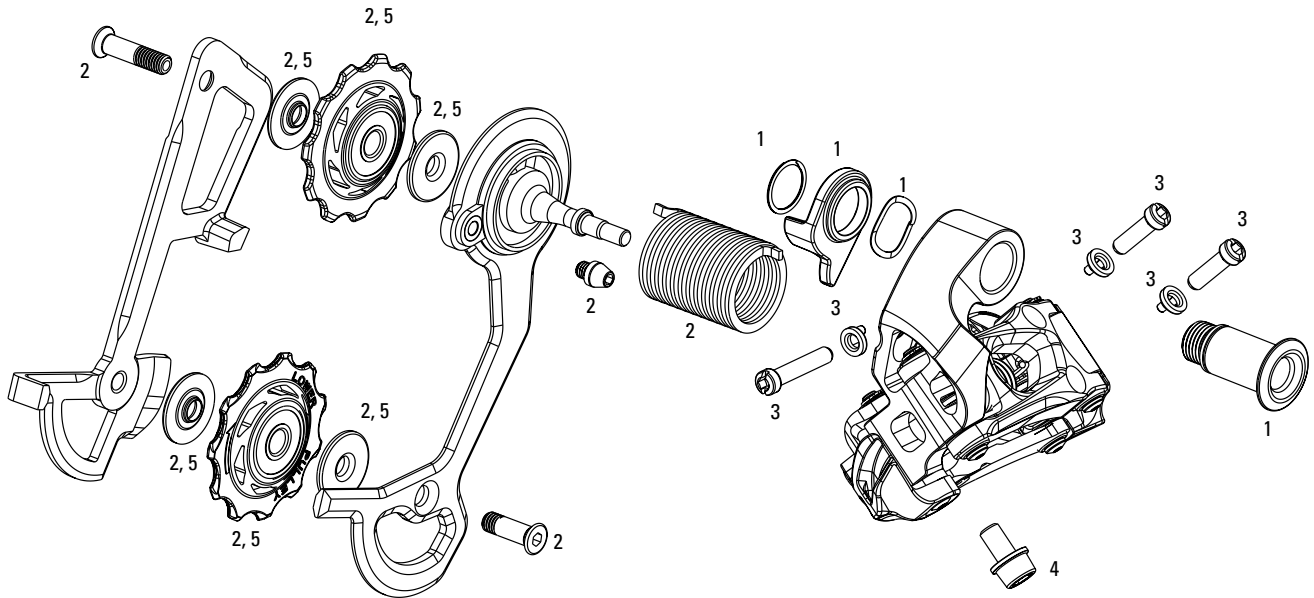
**No. Part Number Description**

1	11.7515.037.010	XX Rear Derailleur B-Bolt Kit
2	11.7515.040.010	XX Rear Derailleur B-Screw/Limit Screw Kit
3	11.7515.041.010	XX Rear Derailleur Cage Screw Kit
4	11.7515.042.010	XX Rear Derailleur Cable Anchor Bolt Kit
5	11.7515.043.000	XX Rear Derailleur Cage Assembly, Long
6	11.7515.044.000	XX Rear Derailleur Outer Cage and Cage Pin Long
6	11.7515.044.010	XX Rear Derailleur Outer Cage and Cage Pin Medium
7	11.7515.043.010	XX Rear Derailleur Cage Assembly, Medium



**No. Part Number Description**

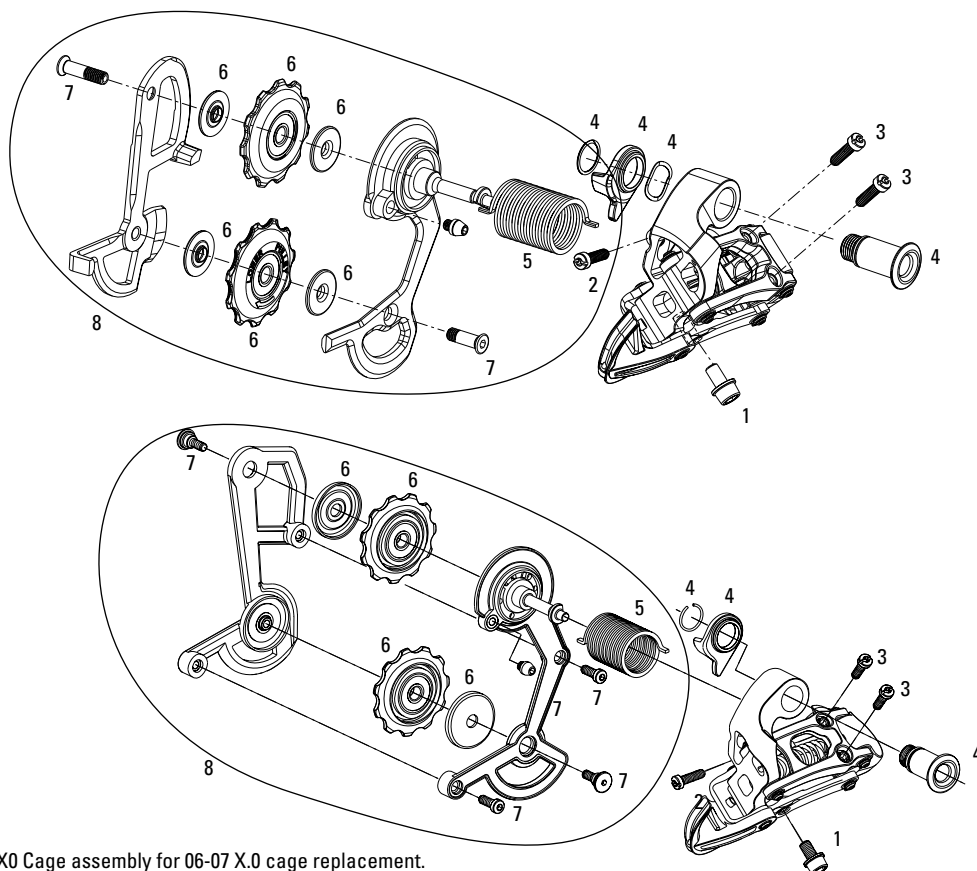
1	11.7518.010.000	X0 TYPE2 Rear Derailleur Cage Kit Long (Inner Cage & Pulleys, Outer Cage Not Replaceable)
1	11.7518.010.001	X0 TYPE2 Rear Derailleur Cage Kit Medium (Inner Cage & Pulleys, Outer Cage Not Replaceable)
1	11.7518.010.002	X0 TYPE2 Rear Derailleur Cage Kit Short (Inner Cage & Pulleys, Outer Cage Not Replaceable)
2	11.7518.011.000	X9 TYPE2 Rear Derailleur Cage Kit Long (Inner Cage & Pulleys, Outer Cage Not Replaceable)
2	11.7518.011.001	X9 TYPE2 Rear Derailleur Cage Kit Medium (Inner Cage & Pulleys, Outer Cage Not Replaceable)
2	11.7518.027.000	X7 TYPE2 Rear Derailleur Cage Kit Long (Inner Cage & Pulleys, Outer Cage Not Replaceable)
2	11.7518.011.002	X9 TYPE2 Rear Derailleur Cage Kit Short (Inner Cage & Pulleys, Outer Cage Not Replaceable)
3	11.7518.012.000	XX1/X01/DH/X0/CX1/X1/X9/X7 Type 2/2.1 Cage Lock with Spring Qty 1
4	11.7515.026.000	X0 Type 2 / 06-11 X0 Rear Derailleur 10 Speed Cable Anchor Bolt/Washer, Qty 1
4	11.7515.058.000	X9 Type 2 / 11 X9 Rear Derailleur 10 Speed Cable Anchor Bolt/ Washer Kit QTY1
5	11.7515.047.000	X0 Type 2 / 11 X0 Rear Derailleur 10 Speed B Screw / Limit Screw Kit
5	11.7515.055.000	X9 Type 2 / 11 X9 Rear Derailleur 10 Speed B Screw / Limit Screw Kit
6	11.7515.049.000	X0/X9 Type 2 / 11 X0/X9 Rear Derailleur 10 Speed Hanger BoltKit
7	11.7518.018.000	X0 Type2 Rear Derailleur Pulley Kit Qty2
8	11.7518.018.001	X9/X7 Type2 Rear Derailleur Pulley Kit Qty2



**NOTE:** X0, X9 and X7 rear derailleurs are compatible with 10 speed exact actuation cranks and shifters only.

No.	Part Number	Description
1	11.7515.062.000	12 Rear Derailleur X0 Silver 10 Speed Hanger Bolt Kit
1	11.7515.049.000	X0/X9 Type 2 / 11 X0/X9 Rear Derailleur 10 Speed Hanger BoltKit
1	11.7515.052.000	Rear Derailleur X7/Type2 10 Speed Hanger Bolt Kit
2	11.7515.048.120	12 Rear Derailleur X0 10 Speed Long Cage Assembly Silver
2	11.7515.048.000	11 Rear Derailleur X0 10 Speed Long Cage Assembly Black
2	11.7515.048.010	11 Rear Derailleur X0 10 Speed Long Cage Assembly Red
2	11.7515.048.130	12 Rear Derailleur X0 10 Speed Medium Cage Assembly Silver
2	11.7515.048.040	11 Rear Derailleur X0 10 Speed Medium Cage Assembly Black
2	11.7515.048.050	11 Rear Derailleur X0 10 Speed Medium Cage Assembly Red
2	11.7515.048.140	12 Rear Derailleur X0 10 Speed Short Cage Assembly Silver
2	11.7515.048.080	11 Rear Derailleur X0 10 Speed Short Cage Assembly Black
2	11.7515.048.090	11 Rear Derailleur X0 10 Speed Short Cage Assembly Red
2	11.7515.064.000	12 Rear Derailleur X0DH 10 Speed Short Cage Assembly Red
2	11.7515.064.010	12 Rear Derailleur X0DH 10 Speed Short Cage Assembly Silver
2	11.7515.056.020	11 Rear Derailleur X9 10 Speed Long Cage Assembly White
2	11.7515.056.030	11 Rear Derailleur X9 10 Speed Medium Cage Assembly Grey
2	11.7515.056.050	11 Rear Derailleur X9 10 Speed Medium Cage Assembly White
2	11.7515.056.060	11 Rear Derailleur X9 10 Speed Short Cage Assembly Grey
2	11.7515.051.000	11 Rear Derailleur X7 10 Speed Long Cage Assembly
2	11.7515.051.010	11 Rear Derailleur X7 10 Speed Medium Cage Assembly
2	11.7515.051.020	11 Rear Derailleur X7 10 Speed Short Cage Assembly
3	11.7515.063.000	12 Rear Derailleur X0 Silver B Screw / Limit Screw Kit
3	11.7515.047.000	X0 Type 2 / 11 X0 Rear Derailleur 10 Speed B Screw / Limit Screw Kit
3	11.7515.055.000	X9 Type 2 / 11 X9 Rear Derailleur 10 Speed B Screw / Limit Screw Kit
3	11.7515.050.000	Rear Derailleur X7/X7 Type2 10 Speed B Screw / Limit Screw Kit
4	11.7515.058.000	X9 Type 2 / 11 X9 Rear Derailleur 10 Speed Cable Anchor Bolt/ Washer Kit QTY1
4	11.7515.053.000	Rear Derailleur X7 Cable Anchor Bolt / Washer Kit
5	00.7915.016.010	BlackBox Ceramic Bearing Pulleys – MTN
5	11.7515.022.000	08-11 X0 Rear Derailleur Pulley Kit Qty 2
5	11.7515.038.000	10-11 X9 X7 Rear Derailleur Pulley Kit

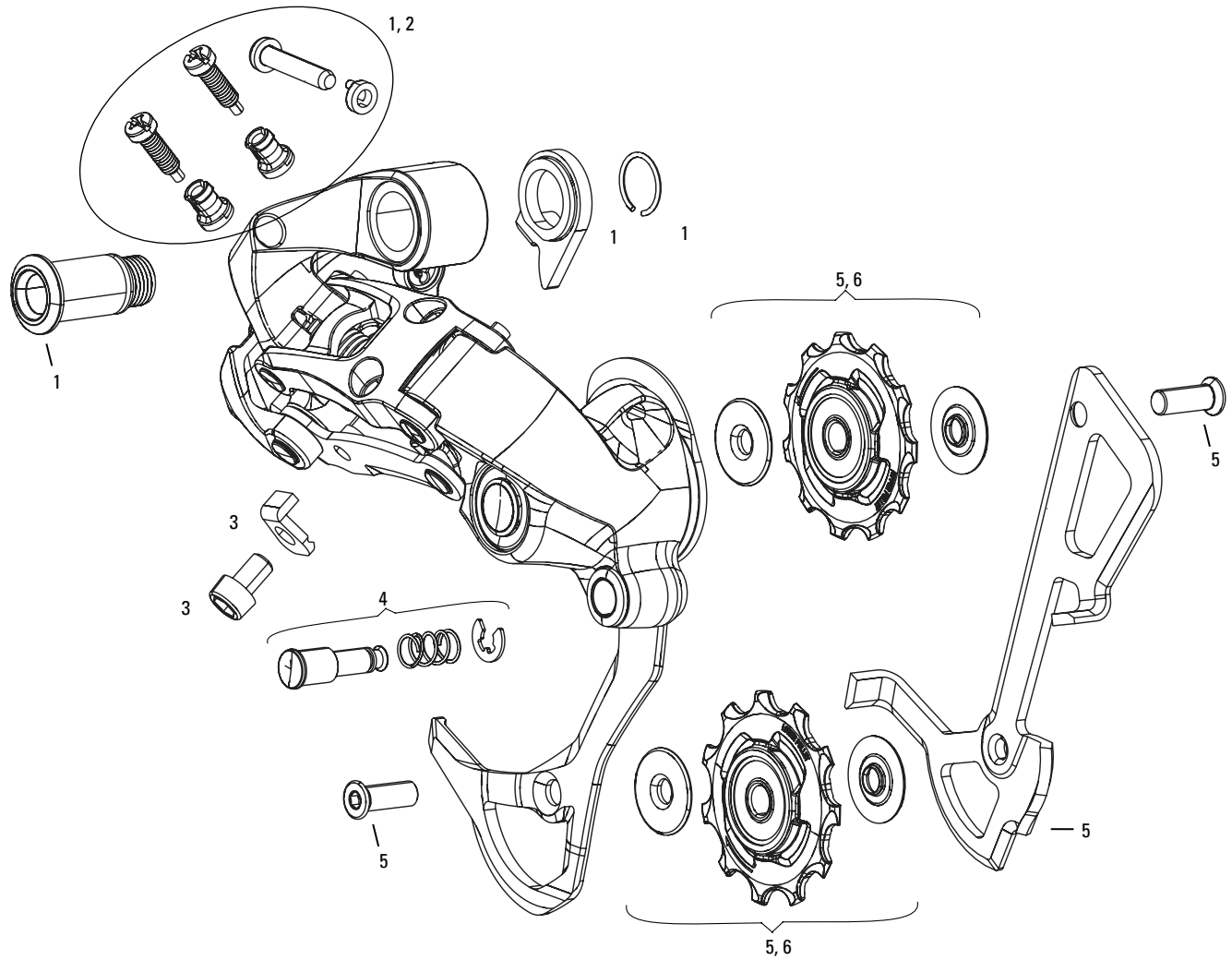
# SRAM X0 - REAR DERAILLEUR 3x9 (2006-2013)



8) Use current X0 Cage assembly for 06-07 X.0 cage replacement.

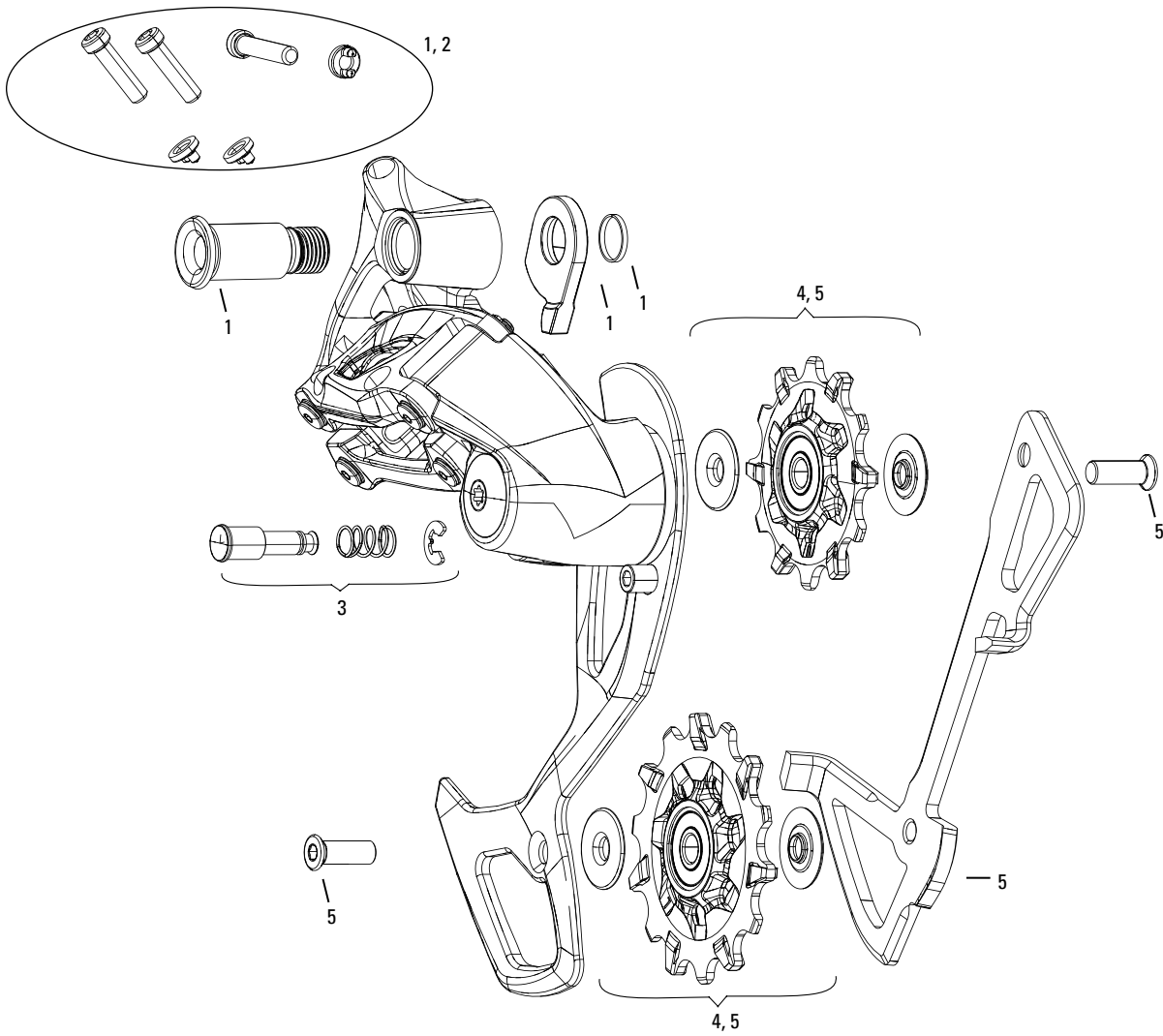
## No. Part Number Description

1	11.7518.006.000	Via GT Rear Derailleur Barrel Adjuster Kit
2	11.7515.027.000	06-09 X0 Rear Derailleur B-Adjust Screw, Qty 1
3	11.7515.028.000	06-09 X0 Rear Derailleur Limit Screws, Qty 2
4	11.7515.031.000	08 X0 Rear Derailleur Hanger Bolt Gold
4	00.0000.200.892	06-07 X0 Rear Derailleur Hanger Bolt Assy
4	11.7515.036.000	09 X0 Rear Derailleur Hanger Bolt Silver
4	11.7515.036.010	Select X0 Rear Derailleur B-Bolt Kit Red
5	11.7515.032.000	06-09 X0 Rear Derailleur Torsion Spring
6	00.0000.200.733	05-07 X0, 07-09 X9 Short Cage, 08-09 X7 Short Cage Rear Derailleur Pulley Assy
7	11.7515.022.000	08-11 X0 Rear Derailleur Pulley Kit Qty 2
8	11.7515.023.000	X0 Rear Derailleur Cage Assy, Carbon, Short (Forged Inner Cage)
8	11.7515.023.010	X0 Rear Derailleur Cage Assy, Carbon, Medium (Forged Inner Cage)
8	11.7515.023.020	X0 Rear Derailleur Cage Assy, Carbon, Long (Forged Inner Cage)
8	11.7515.034.000	Rear Derailleur Limit Screw Plugs Qty 10 (Red, Force, Rival,X-0)



**No. Part Number Description**

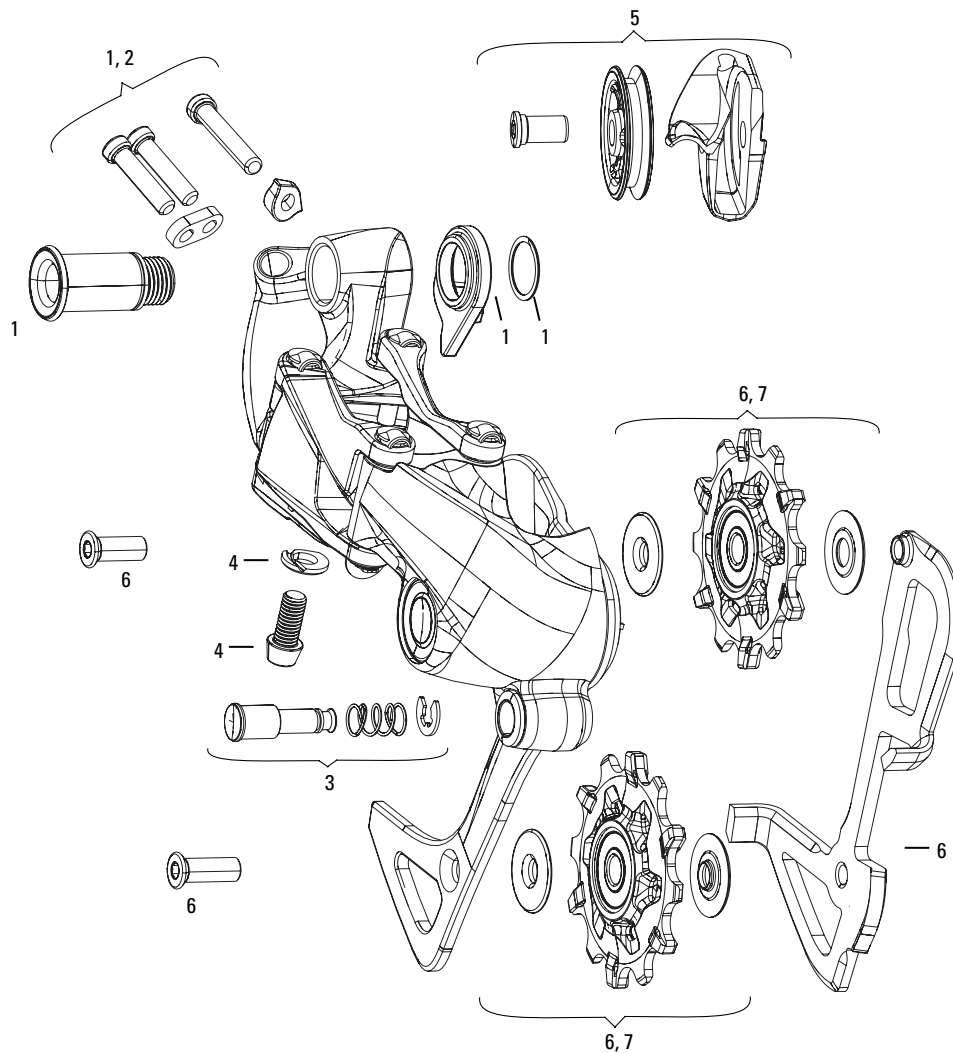
1	11.7518.042.000	Rear Derailleur GX 2X10 B Bolt and Screw Kit
2	11.7518.043.000	Rear Derailleur GX 2X10 B adjust and Limit Screw Kit
3	11.7518.044.000	Rear Derailleur GX 2X10 Cable Anchor Bolt and Washer Kit
4	11.7518.045.000	Rear Derailleur Clutch Cage Lock with Spring Qty 1
5	11.7518.046.000	Rear Derailleur GX 2X10 Type 2.1 Cage and Pulley Kit Long
5	11.7518.047.000	Rear Derailleur GX 2X10 Type 2.1 Cage and Pulley Kit Medium
5	11.7518.048.000	Rear Derailleur GX 2X10 Type 2.1 Cage and Pulley Kit Short
6	11.7518.018.001	X9/X7/GX Type2 Rear Derailleur Pulley Kit Qty2



**No. Part Number Description**

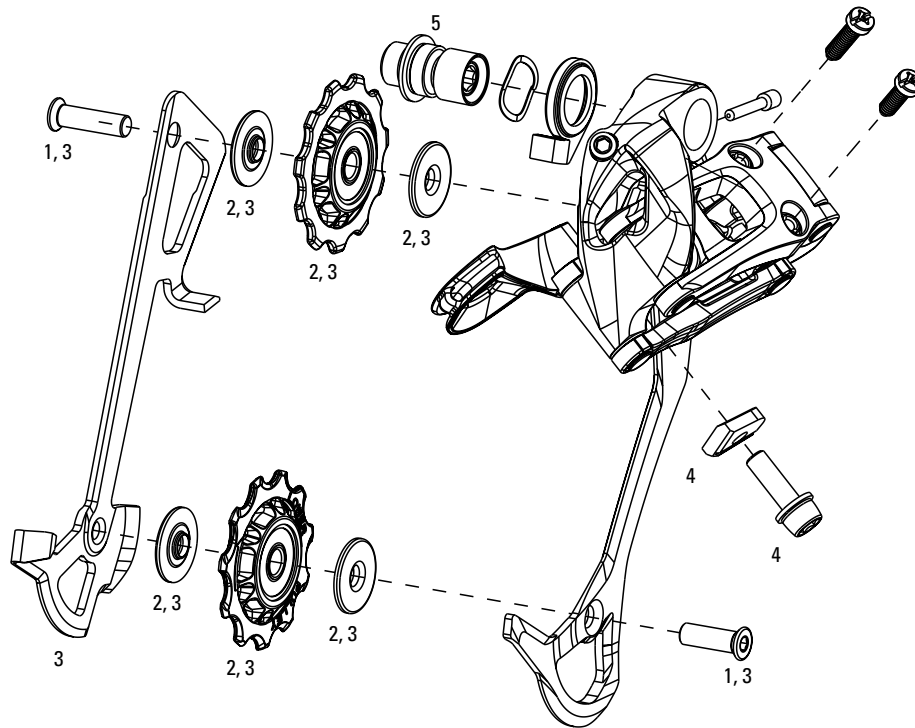
1	11.7518.049.000	Rear Derailleur GX 2X11 B Bolt and Limit Screw Kit
2	11.7518.050.000	Rear Derailleur GX 2X11 B Adjust and Limit Screw Kit
3	11.7518.045.000	Rear Derailleur Clutch Cage Lock with Spring Qty 1
4	11.7518.051.000	Rear Derailleur GX 2X11 Pulley kit
5	11.7518.052.000	Rear Derailleur GX 2X11 Type 2.1 Cage Kit Long
5	11.7518.053.000	Rear Derailleur GX 2X11 Type 2.1 Cage Kit Medium
ns	11.7518.054.000	Rear Derailleur GX 2X11 Cable Anchor Bolt Kit





**No. Part Number Description**

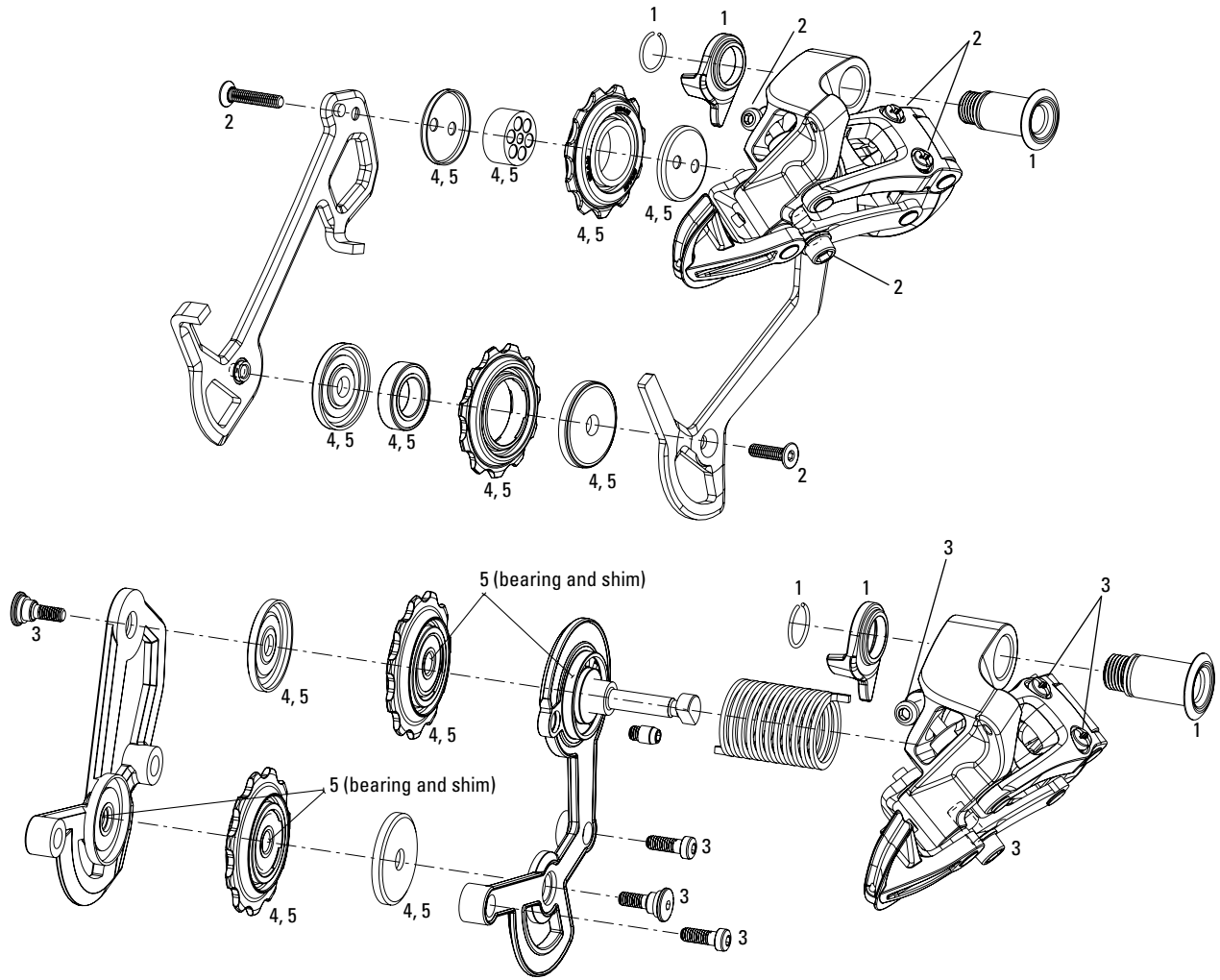
1	11.7518.055.000	Rear Derailleur GX 1X11 B Bolt and Limit Screw Kit
1	11.7518.068.000	GX DH/X01DH 7 Speed Rear Derailleur B-Bolt and Limit Screw Kit Hex5
2	11.7518.056.000	Rear Derailleur GX 1X11 B Adjust and Limit Screw Kit
2	11.7518.069.000	Rear Derailleur GX DH 7 Speed B Adjust and Limit Screw Kit
3	11.7518.045.000	Rear Derailleur Clutch Cage Lock with Spring Qty 1
4	11.7518.057.000	Rear Derailleur GX 1X11 Cable Anchor Bolt Kit
5	11.7518.058.000	Rear Derailleur GX 1X11 Cable Pulley and Guide Kit
6	11.7518.059.000	Rear Derailleur GX 1X11/Force1/Rival1 Type 2.1 Cage and Pulley Kit Long Cage
6	11.7518.071.000	Rear Derailleur GX DH 7 Speed Cage and Pulley Kit
7	11.7518.032.000	RD X01/X01DH/X1/CX1 X-Sync Pulley Assembly
7	11.7518.070.000	Rear Derailleur GX DH 7 Speed Pulley Kit



**NOTE:** X9 outer cage is NOT replaceable.

No.	Part Number	Description
1	11.7515.041.000	2010 X9 X7 Rear Derailleur Cage Screw Kit
2	11.7515.038.000	10-11 X9 X7 Rear Derailleur Pulley Kit
3	11.7515.039.000	2010 X9 Rear Derailleur Cage Kit Long (Inner Cage & Pulleys, Outer Cage Not Replaceable)
3	11.7515.039.010	2010 X9 Rear Derailleur Cage Kit Medium (Inner Cage & Pulleys, Outer Cage Not Replaceable)
4	11.7515.042.000	2010 X9 Rear Derailleur Cable Anchor Bolt Kit
5	11.7515.037.000	2010 X9 X7 Rear Derailleur B-Bolt Kit

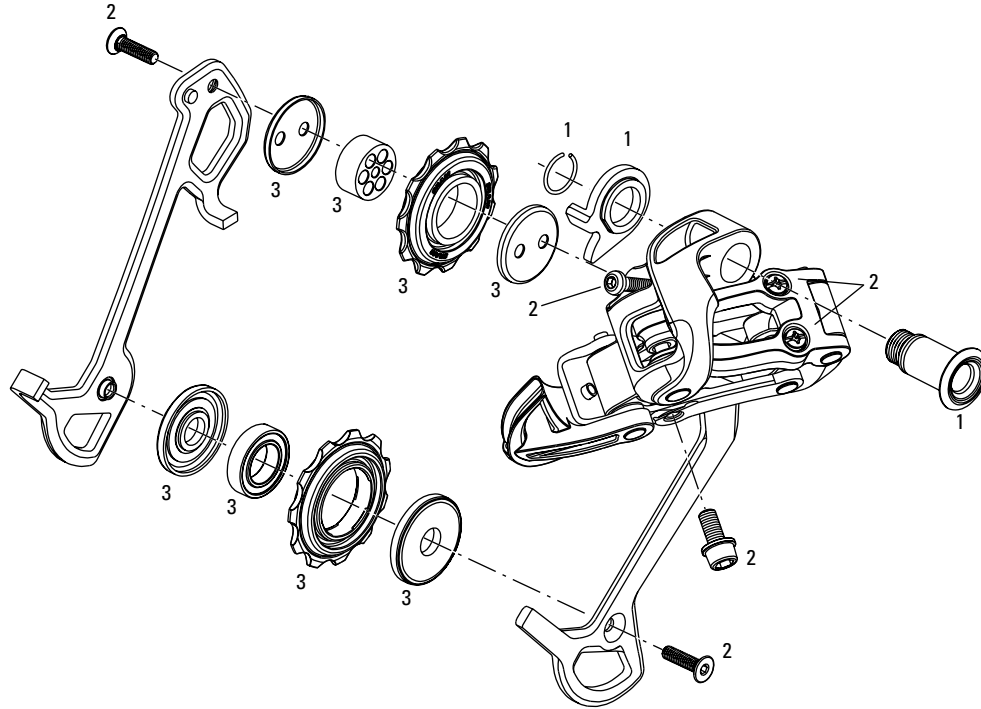
# SRAM X9 - REAR DERAILLEUR 3x9 (2007-2009)



**NOTE:** X9 outer cage is NOT replaceable.

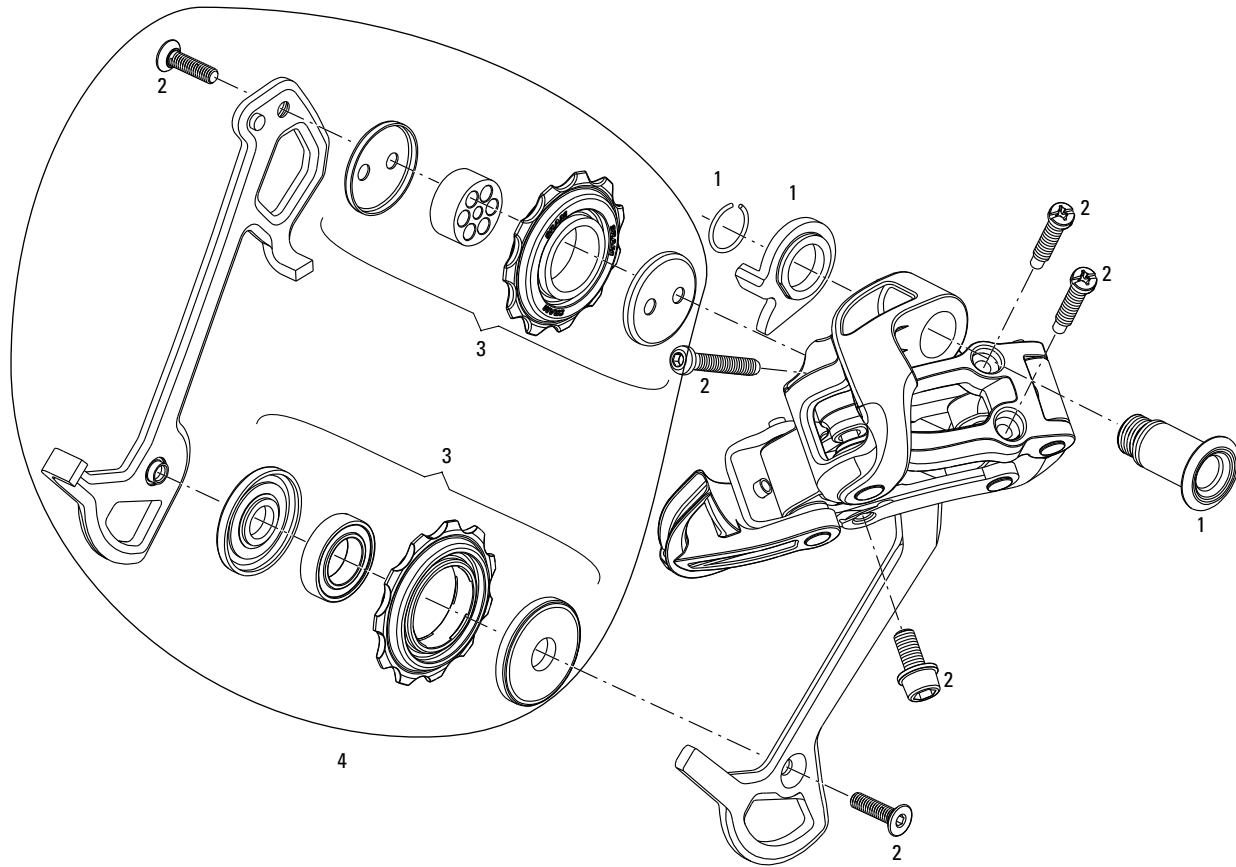
No.	Part Number	Description
-----	-------------	-------------

1	11.7515.009.000	07-09 X9 Rear Derailleur Hanger Bolt
2	00.0000.200.899	05-09 X9 Rear Derailleur Screw/Bolt Kit
3	11.7515.010.000	07-09 X9 Rear Derailleur Composite Cage Screw/Bolt Kit
4	00.0000.200.615	05-09 X9 Rear Derailleur Pulley Kit (M/L Cage)
5	00.0000.200.733	05-07 X0, 07-09 X9 Short Cage, 08-09 X7 Short Cage Rear Derailleur Pulley Assy



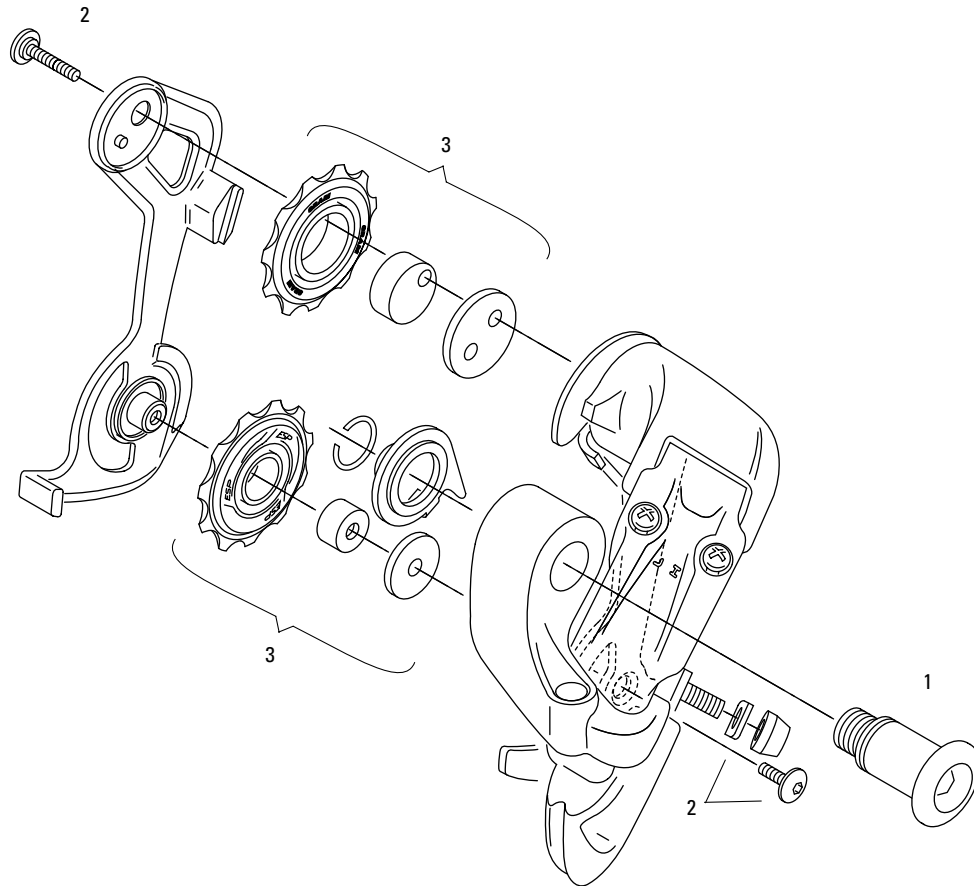
**No. Part Number Description**

1	00.0000.200.715	04-05 X7/X9/Dual Drive27/9/7/5 Rear Derailleur Hanger Bolt
1	00.0000.200.898	06-09 X7/X9/Dual Drive27 Rear Derailleur Hanger Bolt
2	00.0000.200.899	05-09 X9 Rear Derailleur Screw/Bolt Kit
2	00.0000.200.900	06-09 X7/Dual Drive27, 04-05 X7/X9/Dual Drive27/9/7/5 Rear Derailleur Screw/Bolt Kit
3	00.0000.200.615	05-09 X9 Rear Derailleur Pulley Kit (M/L Cage)
3	00.0000.200.618	04-09 X7/Dual Drive27, SX5, 08-09 X5 Rear Derailleur Pulley Kit Qty 2



**No. Part Number Description**

1	00.0000.200.898	06-09 X7/X9/Dual Drive27 Rear Derailleur Hanger Bolt
2	00.0000.200.900	06-09 X7/Dual Drive27, 04-05 X7/X9/Dual Drive27/9/7/5 Rear Derailleur Screw/Bolt Kit
3	00.0000.200.618	04-09 X7/Dual Drive27, SX5, 08-09 X5 Rear Derailleur Pulley Kit Qty 2
4	00.0000.200.733	05-07 X0, 07-09 X9 Short Cage, 08-09 X7 Short Cage Rear Derailleur Pulley Assy

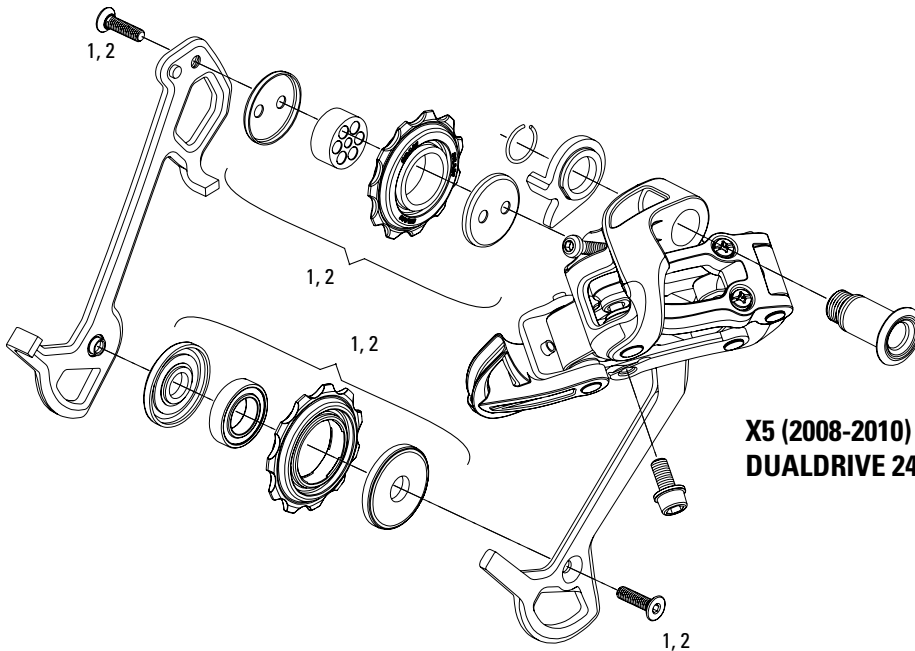


**No. Part Number Description**

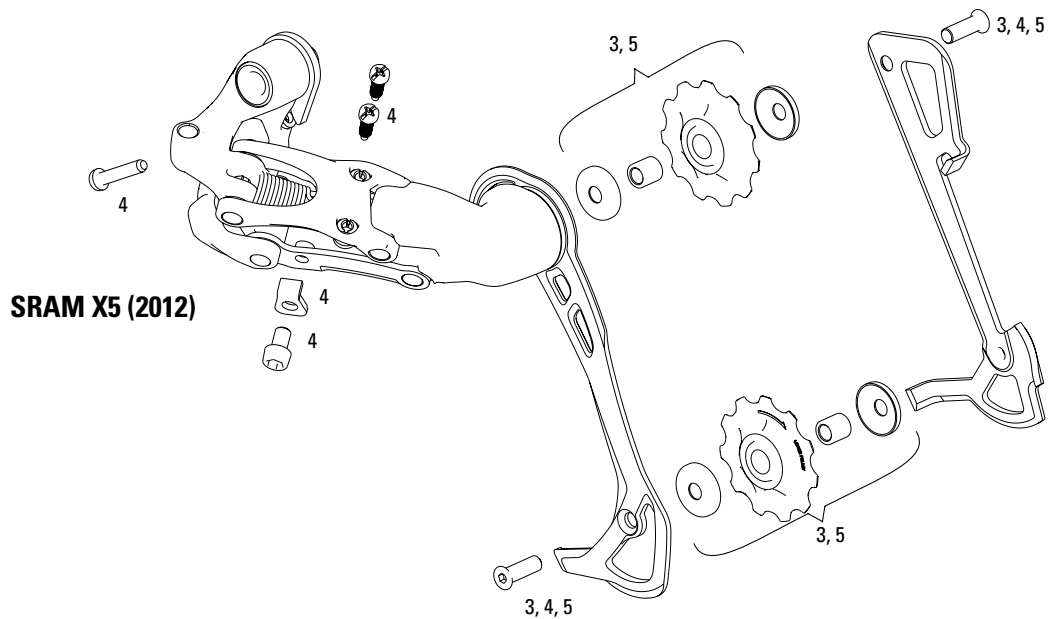
1	00.0000.200.715	04-05 X7/X9/Dual Drive27/9/7/5 Rear Derailleur Hanger Bolt
1	00.0000.200.900	06-09 X7/Dual Drive27, 04-05 X7/X9/Dual Drive27/9/7/5 Rear Derailleur Screw/Bolt Kit
2	00.0000.200.899	05-09 X9 Rear Derailleur Screw/Bolt Kit
3	00.0000.200.713	(04) X9, 9.0SI / 9.0 Rear Derailleur Pulley Assy
3	00.0000.200.618	04-09 X7/Dual Drive27, SX5, 08-09 X5 Rear Derailleur Pulley Kit Qty 2
3	00.0000.200.615	05-09 X9 Rear Derailleur Pulley Kit (M/L Cage)

**SRAM X5 (2012) - REAR DERAILLEUR 2x10 / 3x10**

**X5 (2008-2010) X4 / SX5 / SX4 / DUALDRIVE 24 / DUALDRIVE 21 - REAR DERAILLEUR 3x9**



**X5 (2008-2010) / X4 / SX5 / SX4  
DUALDRIVE 24 / DUALDRIVE 21**

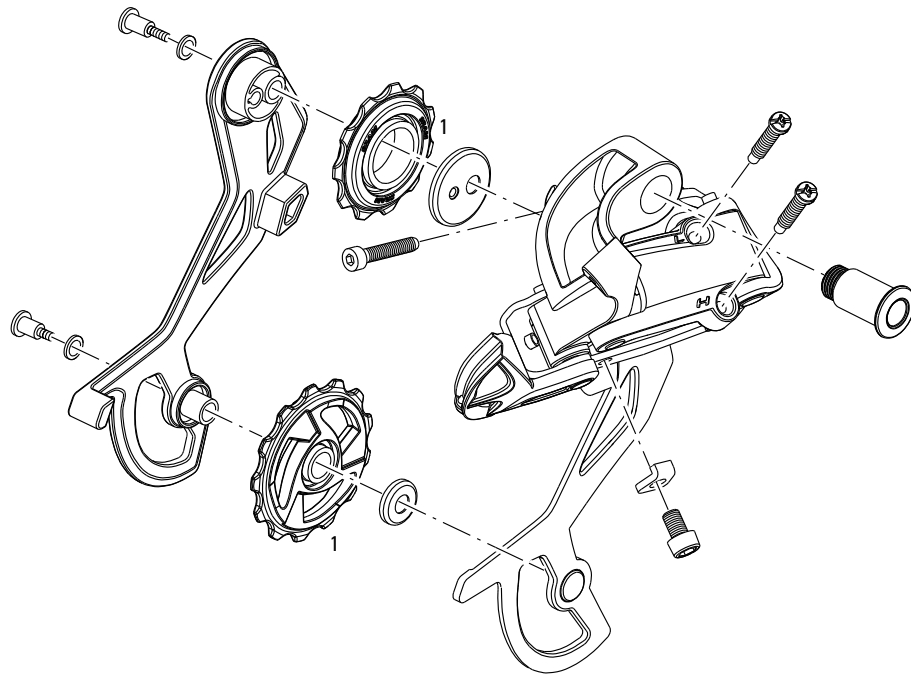


**SRAM X5 (2012)**

**NOTE:** X5 outer cage is NOT replaceable.

**No. Part Number Description**

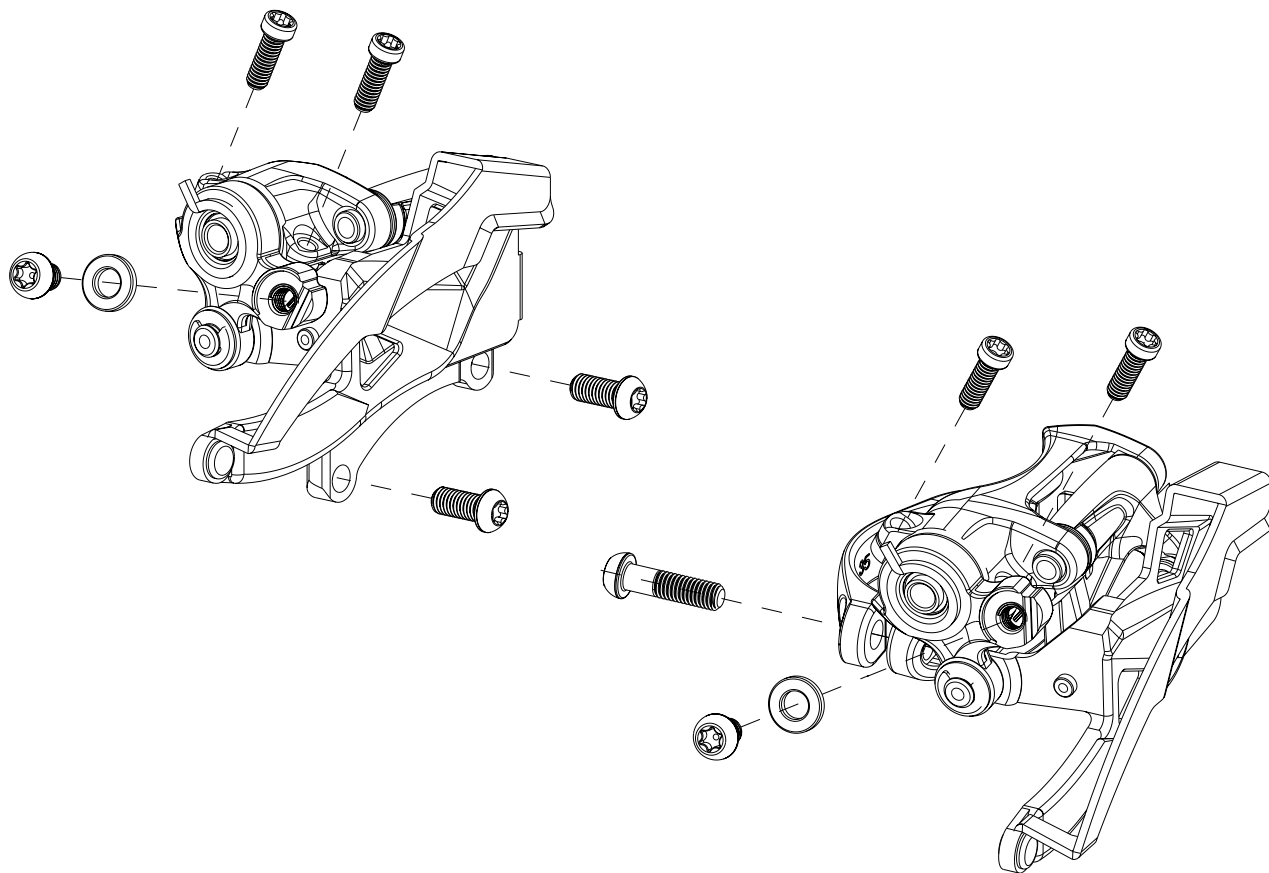
1	00.0000.200.912	X.4/Sx4 Rear Derailleur Pulley Assy
2	00.0000.200.618	04-09 X7/Dual Drive27, SX5, 08-09 X5 Rear Derailleur Pulley Kit Qty 2
3	11.7515.065.000	12 Rear Derailleur X5 10 Speed Hanger Bolt Kit
3	11.7515.066.000	12 Rear Derailleur X5 10 Speed Medium Cage Assembly (Inner Cage & Pulleys, Outer Cage Not Replaceable)
3	11.7515.066.010	12 Rear Derailleur X5 10 Speed Long Cage Assembly (Inner Cage & Pulleys, Outer Cage Not Replaceable)
4	11.7515.067.000	12 Rear Derailleur X5 Screw Kit
5	11.7518.019.000	X5 Rear Derailleur Pulley Kit Qty2



**No. Part Number Description**

1 00.0000.200.616 (04) 5.0 Rear Derailleur Pulley Assy

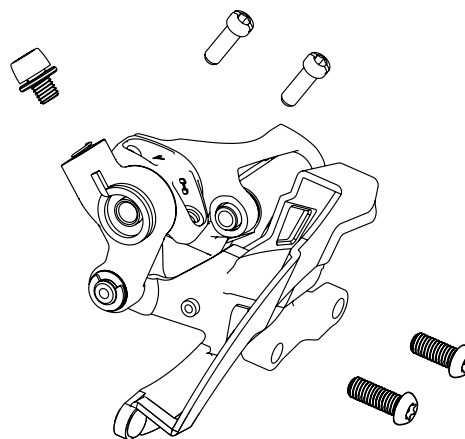
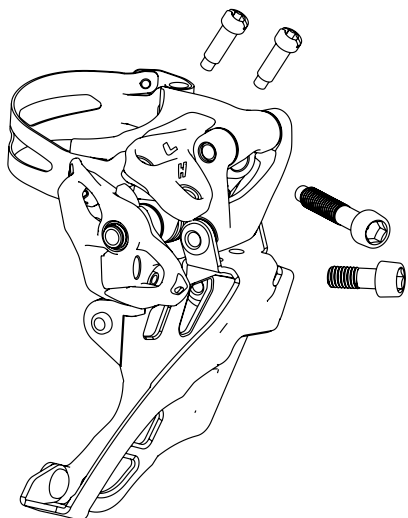




**NOTE:** XX front derailleur is compatible with XX 10 speed cassette, XX crank and XX shifters only.  
Low clamp and direct mount pictured.

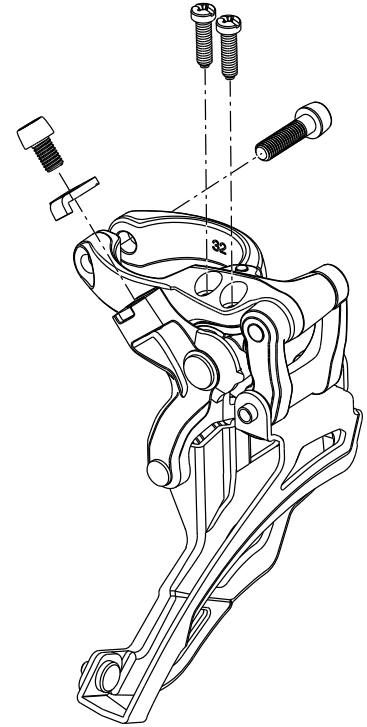
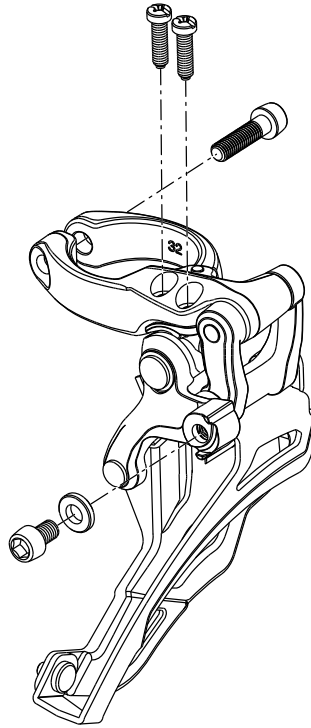
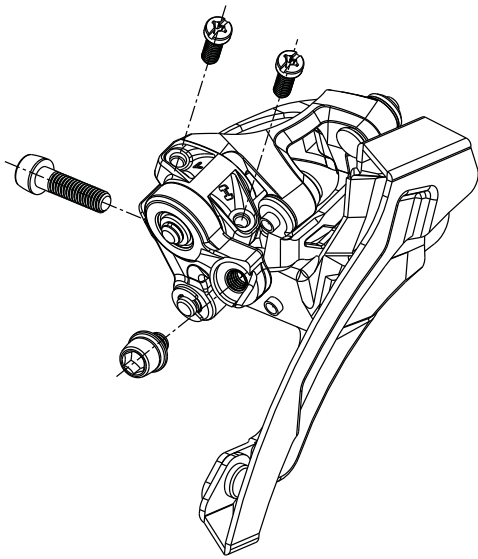
**No. Part Number Description**

**Price**



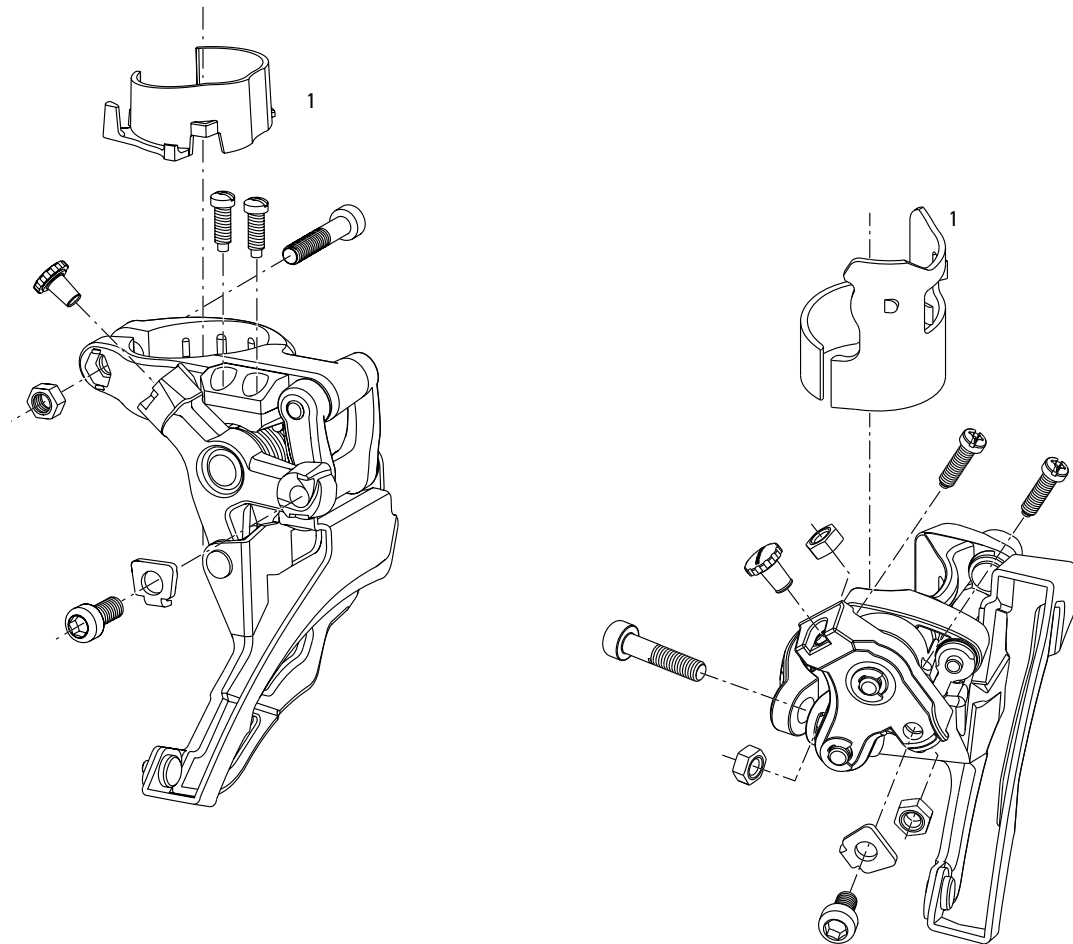
No. Part Number Description

Price



No. Part Number Description

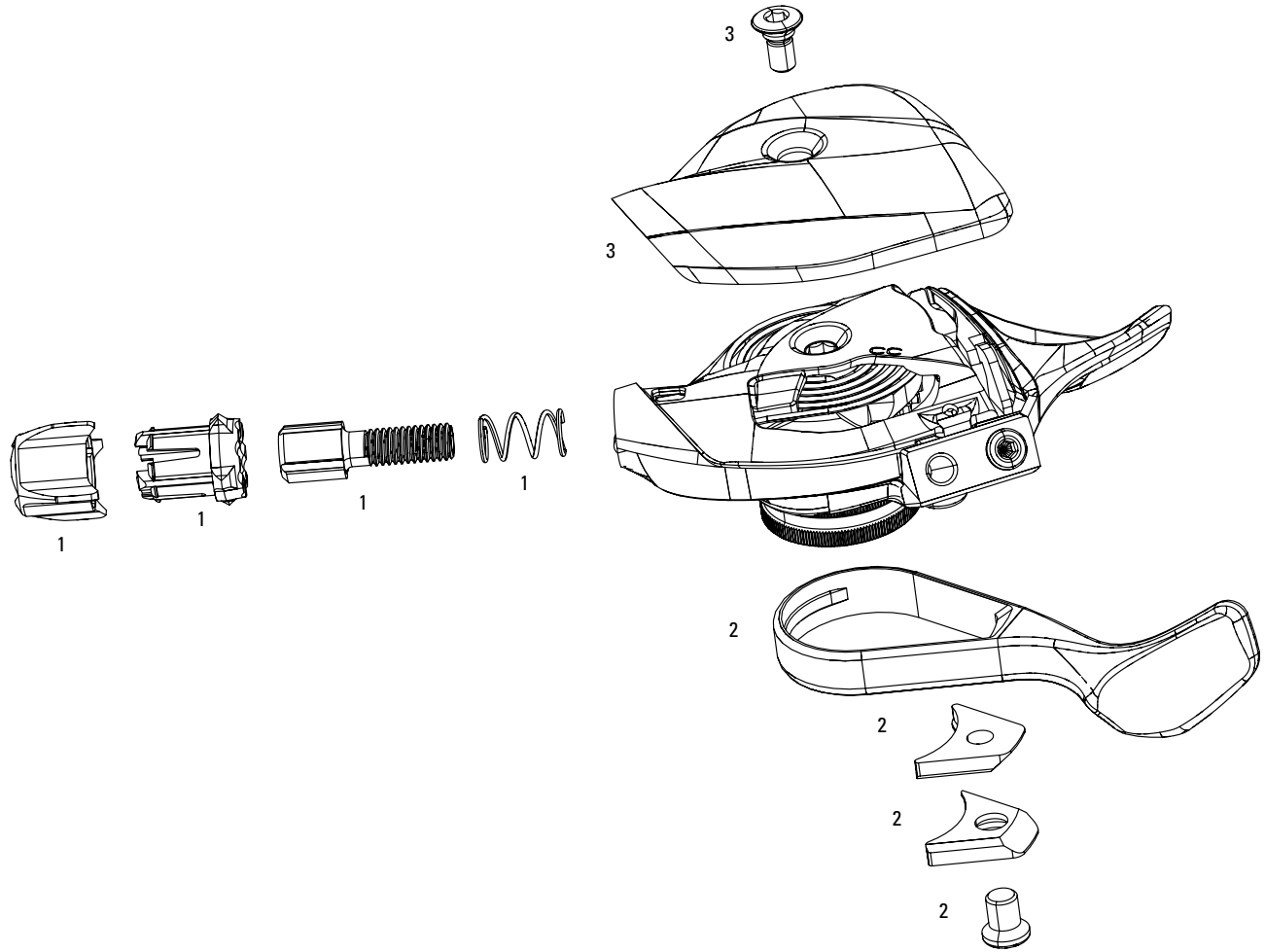
Price



**No. Part Number Description**

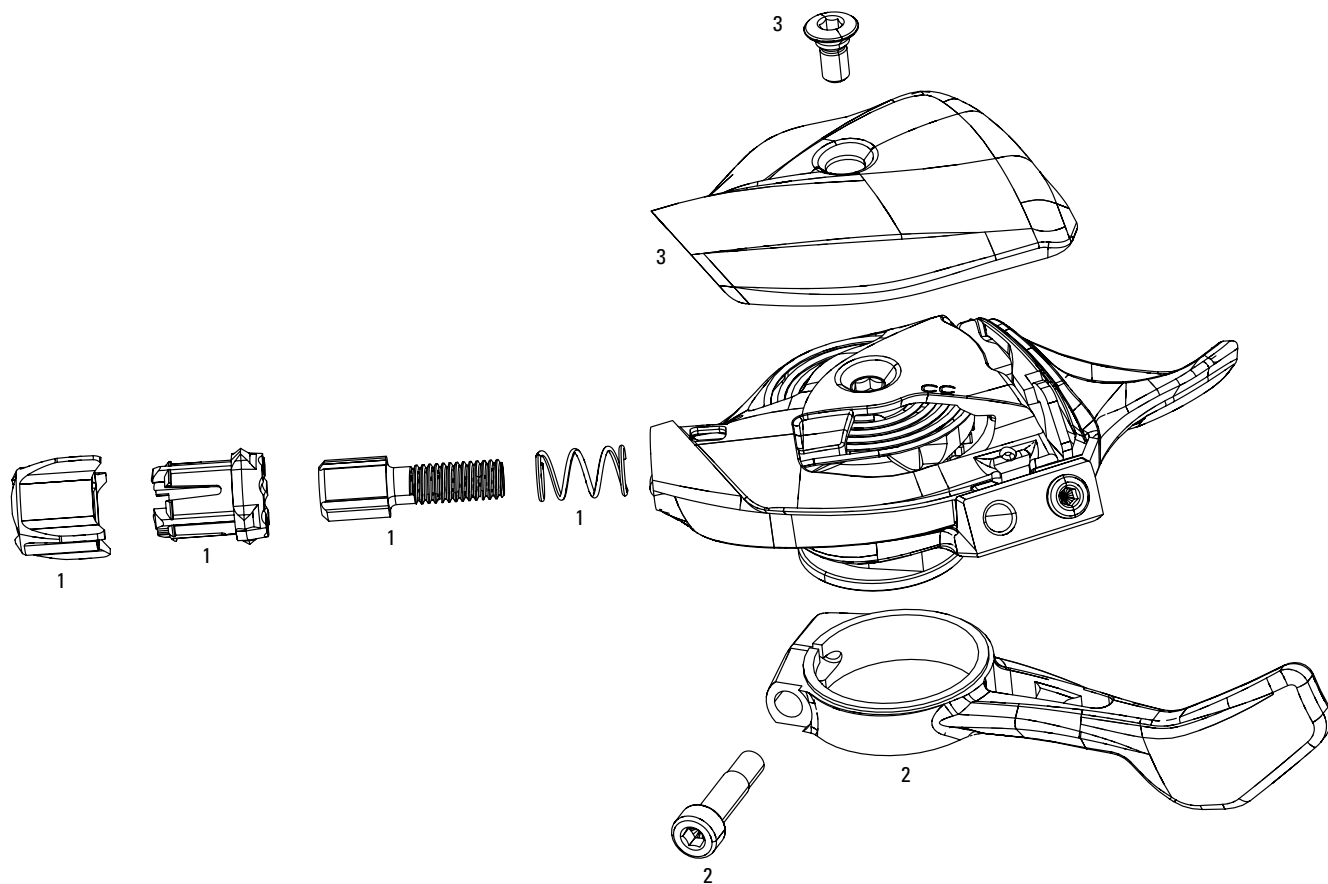
- 1 00.0000.200.114 X7 / XGen Front Derailleur Clamp Adaptor 31.8mm
- 1 00.0000.200.115 X7 / XGen Front Derailleur Clamp Adaptor 28.6mm

# SRAM XX1 EAGLE TRIGGER SHIFTER



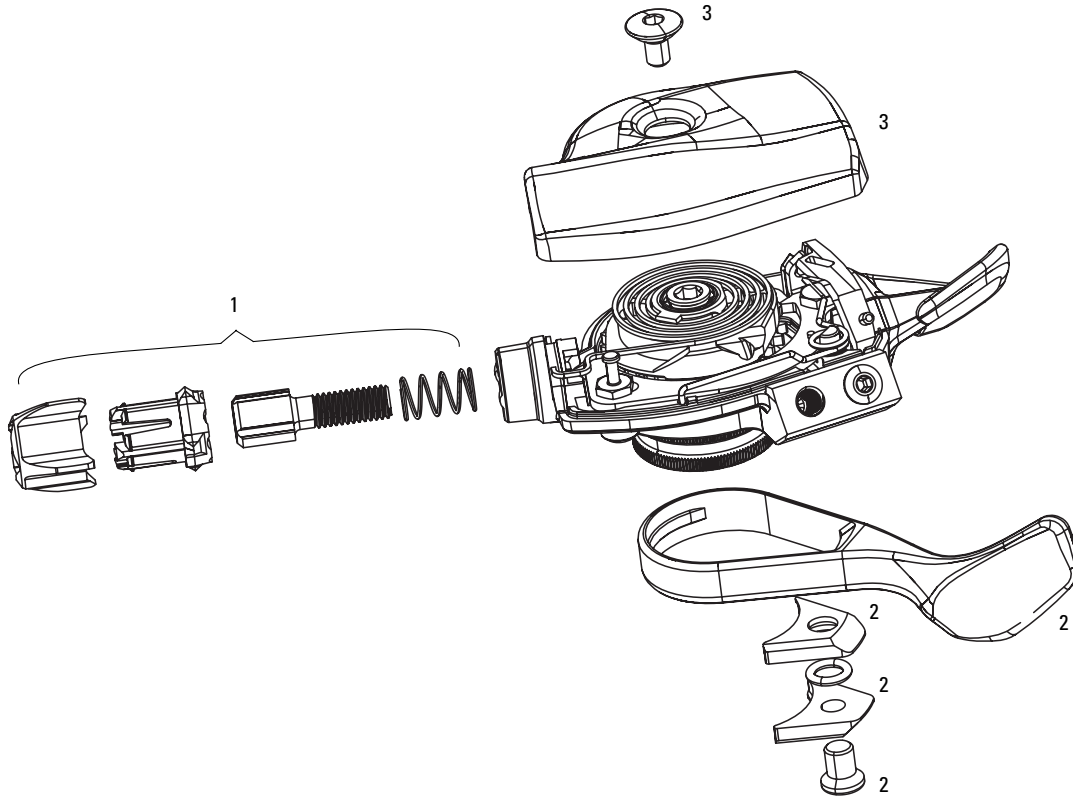
No.	Part Number	Description
-----	-------------	-------------

1	11.7018.055.000	XX1/X01 Eagle Trigger Barrel Adjuster Kit Gold
1	11.7018.055.010	XX1/X01 Eagle Trigger Barrel Adjuster Kit Black
2	11.7018.056.000	XX1 Eagle Trigger Pull Lever Kit, Right
3	11.7018.058.000	XX1 Eagle Trigger Cover Kit Right Gold
3	11.7018.058.010	XX1 Eagle Trigger Cover Kit Right Neutral



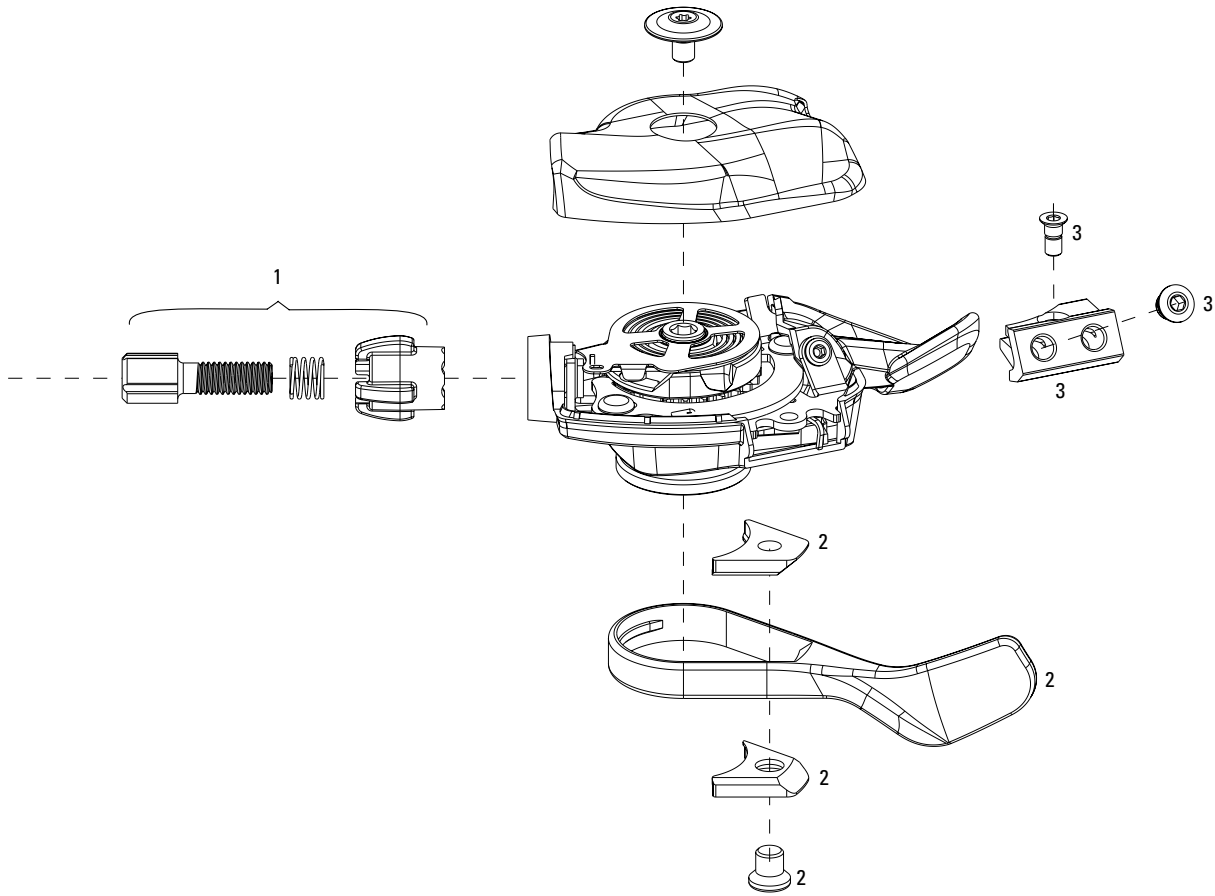
No.	Part Number	Description
-----	-------------	-------------

1	11.7018.055.000	XX1/X01 Eagle Trigger Barrel Adjuster Kit Gold
1	11.7018.055.010	XX1/X01 Eagle Trigger Barrel Adjuster Kit Black
2	11.7018.059.000	X01 Eagle Trigger Pull Lever Kit, Right
3	11.7018.060.000	X01 Eagle Trigger Cover Kit Right Red
3	11.7018.060.010	X01 Eagle Trigger Cover Kit Right Neutral



**No. Part Number Description**

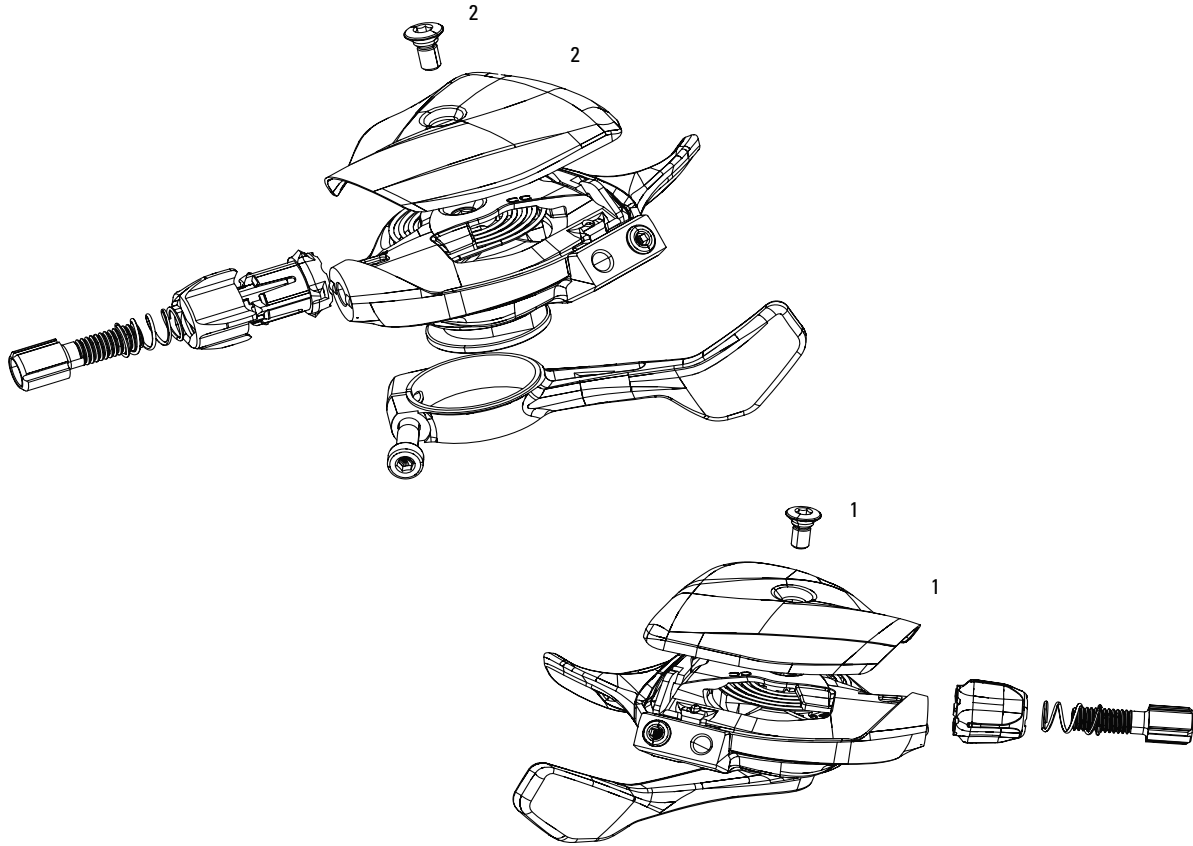
1	11.7018.012.000	XX1 Trigger Barrel Adjuster Kit
2	11.7018.013.000	XX1 Trigger Pull Lever Kit, Right
2	11.7018.013.001	XX1 Trigger Pull Lever Kit Black, Right
2	11.7018.032.000	X01 Trigger Pull Lever Kit, Right
3	11.7018.014.000	XX1 Trigger Cover Kit, Right
3	11.7018.014.001	XX1 Trigger Black Cover Kit, Right
3	11.7018.033.000	X01 Trigger Cover Kit Black, Right
3	11.7018.033.001	X01 Trigger Cover Kit Red, Right
3	11.7018.035.000	X01DH Trigger Cover Kit Right Black
3	11.7018.035.001	X01DH Trigger Cover Kit Right Red
3	11.7018.041.000	X1 Trigger Cover Kit, Right



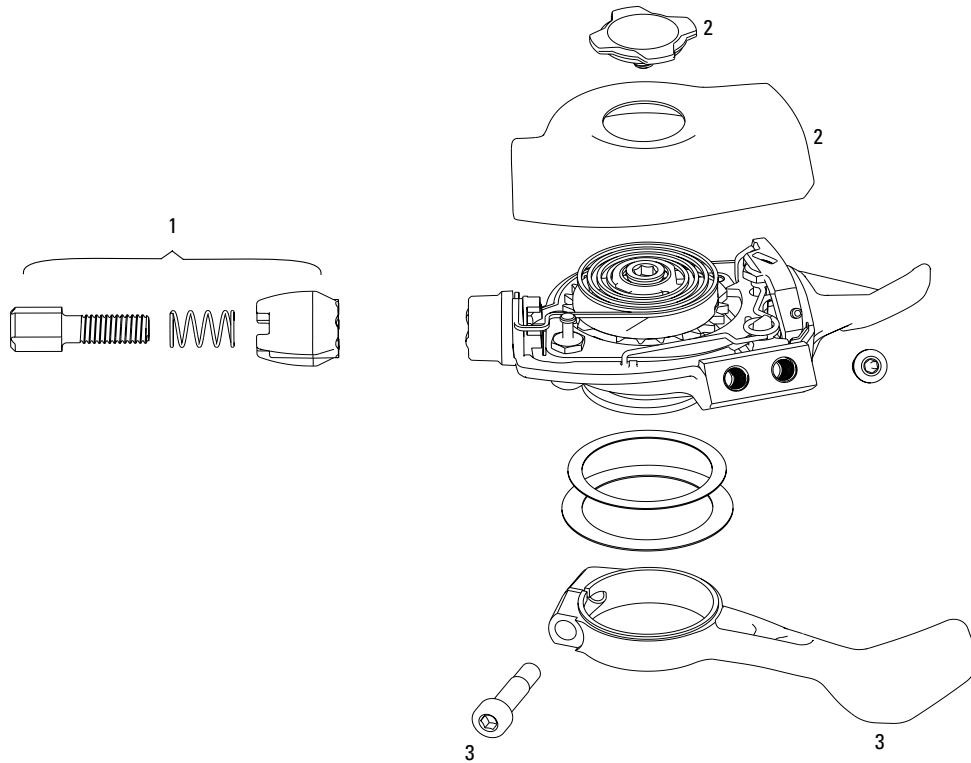
**No. Part Number Description**

1	11.7015.059.000	XX Trigger Barrel Adjuster Kit
2	11.7015.060.000	XX Trigger Pull Lever Kit, Left
3	11.7015.062.000	XX Trigger Clamp Bracket Kit, Left
3	11.7015.062.010	XX Trigger Clamp Bracket Kit, Right
ns	11.7015.074.000	XX Trigger Clamp/Bolt Kit qty 1

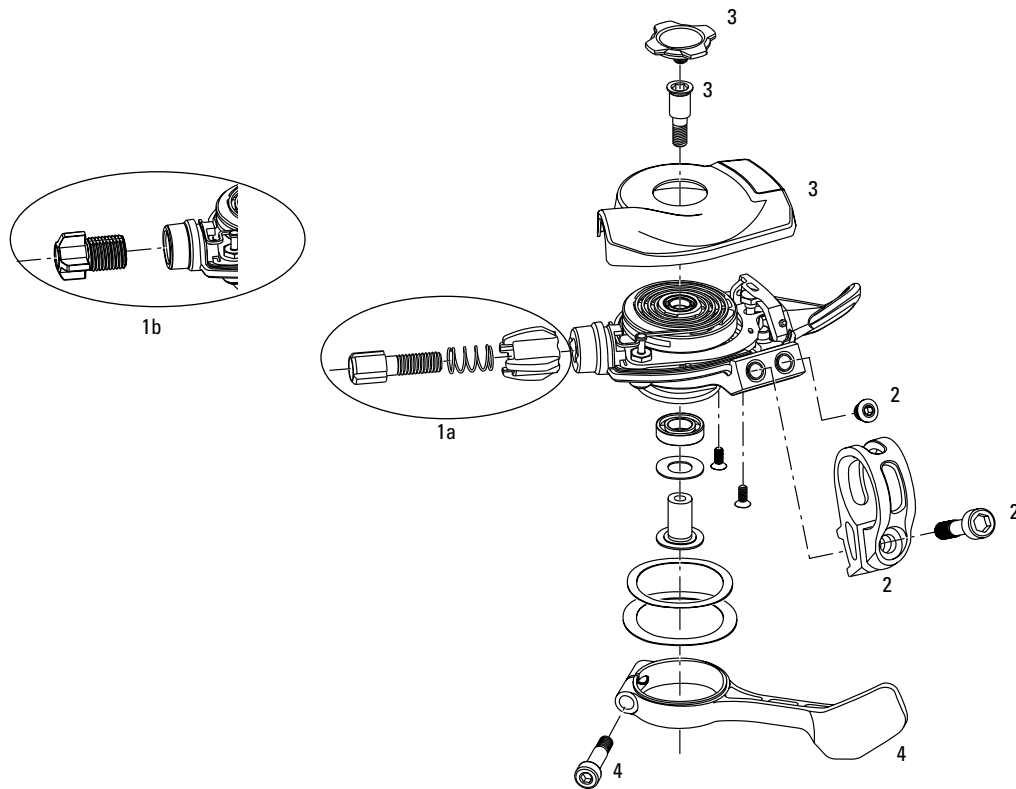




No.	Part Number	Description
1	11.7018.028.000	X0 Trigger Cover Kit Left 2 Speed Red B1
1	11.7018.028.001	X0 Trigger Cover Kit Left 3 Speed Red B1
1	11.7018.028.003	X0 Trigger Cover Kit Left 2 Speed Black B1
1	11.7018.028.005	X0 Trigger Cover Kit Left 2 Speed Silver B1
1	11.7018.028.006	X0 Trigger Cover Kit Left 3 Speed Silver B1
1	11.7018.029.000	X9 Trigger Cover Kit Left 2 Speed Grey B1
1	11.7018.029.001	X9 Trigger Cover Kit Left 3 Speed Grey B1
1	11.7018.030.000	X7 Trigger Cover Kit Left 2 Speed Storm Grey B1
1	11.7018.030.001	X7 Trigger Cover Kit Left 3 Speed Storm Grey B1
2	11.7018.028.002	X0 Trigger Cover Kit Right 10 Speed Red B1
2	11.7018.028.004	X0 Trigger Cover Kit Right 10 Speed Black B1
2	11.7018.028.007	X0 Trigger Cover Kit Right 10 Speed Silver B1
2	11.7018.029.002	X9 Trigger Cover Kit Right 10 Speed Grey B1
2	11.7018.030.002	X7 Trigger Cover Kit Right 10 Speed Storm Grey B1
ns	00.0000.200.524	X0 / X9 / X7 Gear Indicator Kit, Right, 9Spd

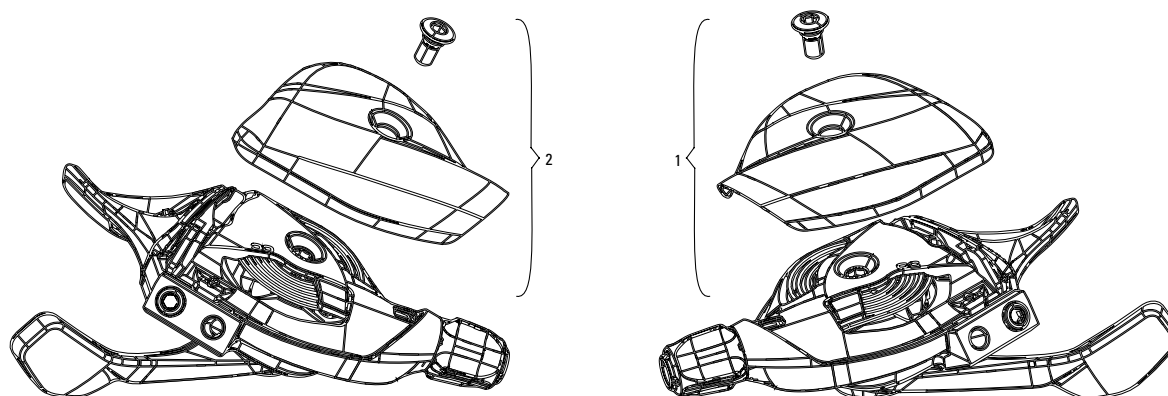


No.	Part Number	Description
1	11.7015.068.000	11 Shifter Trigger X0 10 Speed Barrel Adjuster Kit
1	11.7015.056.000	11 SL X9 10-11 X7 Barrel Adjuster Qty 2
1	11.7015.068.000	11 Shifter Trigger X0 10 Speed Barrel Adjuster Kit
2	11.7015.069.120	12 X0 Trigger Cover Kit Right Silver
2	11.7015.069.000	11 X0 Trigger Cover Kit Right Red
2	11.7015.069.030	11 X0 Trigger Cover Kit Right Black
2	11.7015.069.130	12 X0 Trigger Cover Kit Left 3Speed Silver
2	11.7015.069.040	11 X0 Trigger Cover Kit Left 3Speed Red
2	11.7015.069.070	11 X0 Trigger Cover Kit Left 3Speed Black
2	11.7015.069.140	12 X0 Trigger Cover Kit Left 2Speed Silver
2	11.7015.069.080	11 X0 Trigger Cover Kit Left 2Speed Red
2	11.7015.069.110	11 X0 Trigger Cover Kit Left 2Speed Black
3	11.7015.070.060	12 X0 Trigger Pull Lever Kit Right Silver
3	11.7015.070.020	11 X0 Trigger Pull Lever Kit Right Black
3	11.7015.070.070	12 X0 Trigger Pull Lever Kit Left Silver
3	11.7015.070.050	11 X0 Trigger Pull Lever Kit Left Black
3	11.7015.070.000	11 X0 Trigger Pull Lever Kit Right Red
3	11.7015.070.030	11 X0 Trigger Pull Lever Kit Left Red
ns	11.7015.033.070	Trigger Clamp/Bolt Kit Shiny Black Qty 1



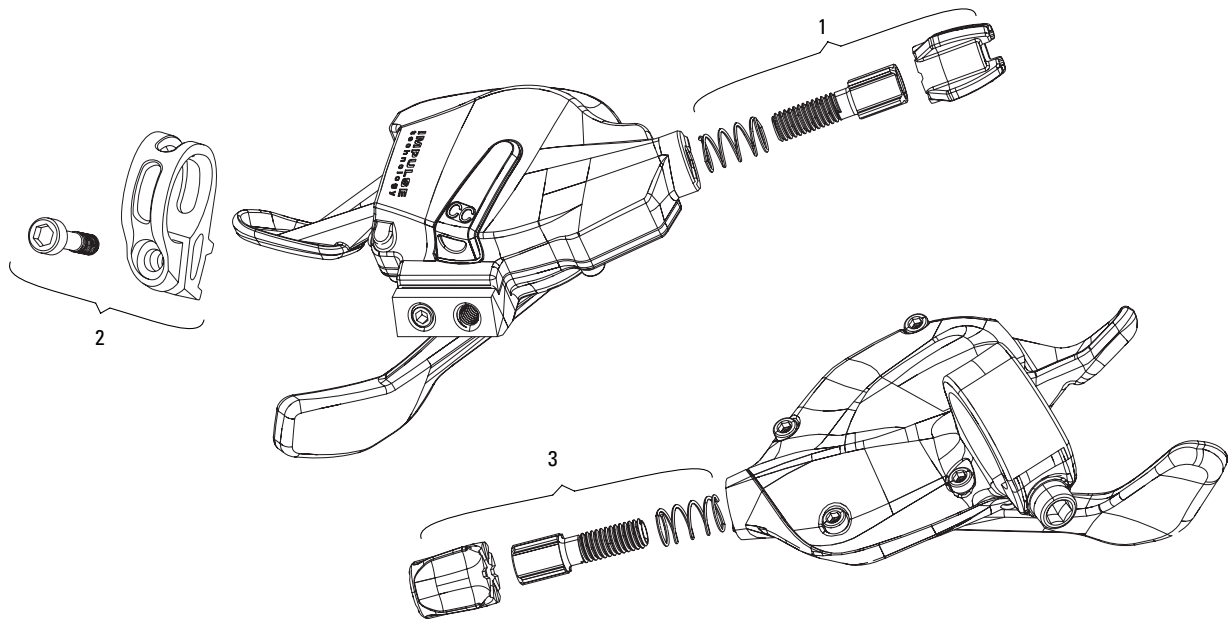
**No. Part Number Description**

1a	11.7015.024.000	07-09 X0/X9 Trigger Barrel Adjuster Qty 2 (M6, 3PC)
1b	11.7015.025.000	06-07 X0 / 07 X9 Trigger Barrel Adj Qty 2 (M10, 2PC)
2	11.7015.033.000	07-09 X0/X9/X7 Trigger Clamp/Bolt Kit, Qty 1
2	11.7015.033.020	Select X0 Trigger Clamp Kit Red Qty 1
3	00.0000.200.918	X0 Trigger Carbon Cover/Top Cap Kit, Right
4	00.0000.200.923	X0 Trigger Pull Lever, Left
4	00.0000.200.924	X0 Trigger Pull Lever, Right



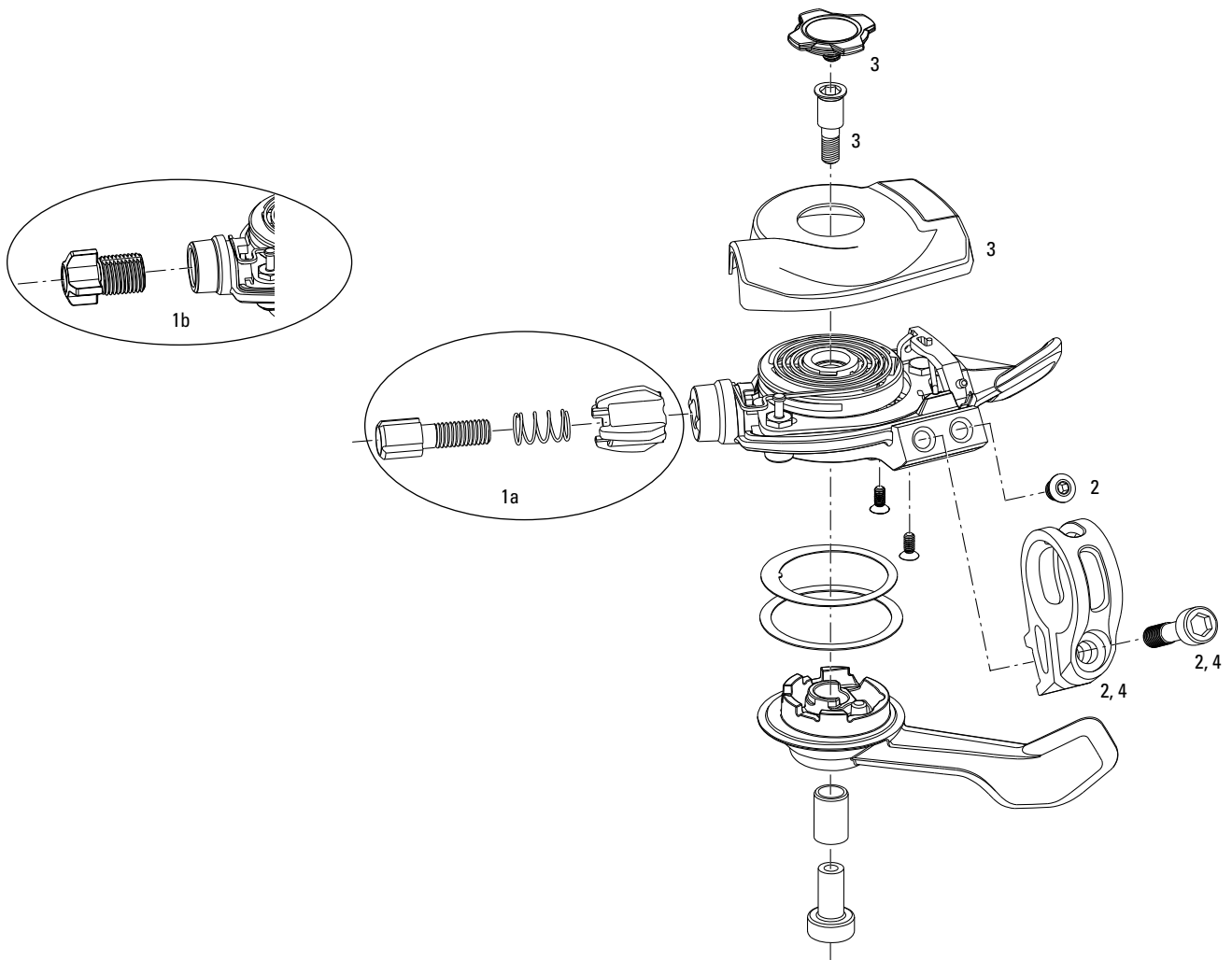
**No. Part Number Description**

1	11.7018.044.000	Shifter Cover GX 10 Speed Rear Trigger Cover Black
1	11.7018.044.001	Shifter Cover GX 11 Speed Rear Trigger Cover Black
1	11.7018.044.002	Shifter Cover GX 11 Speed Rear Trigger Cover Red
2	11.7018.044.003	Shifter Cover GX 2X11 Speed Front Trigger Cover Black
2	11.7018.044.004	Shifter Cover GX 2X11 Speed Front Trigger Cover Red
2	11.7018.044.005	Shifter Cover GX 2X10 Speed Front Trigger Cover Black
2	11.7018.053.000	Shifter Cover GX DH 7 Speed Rear Trigger Cover Black



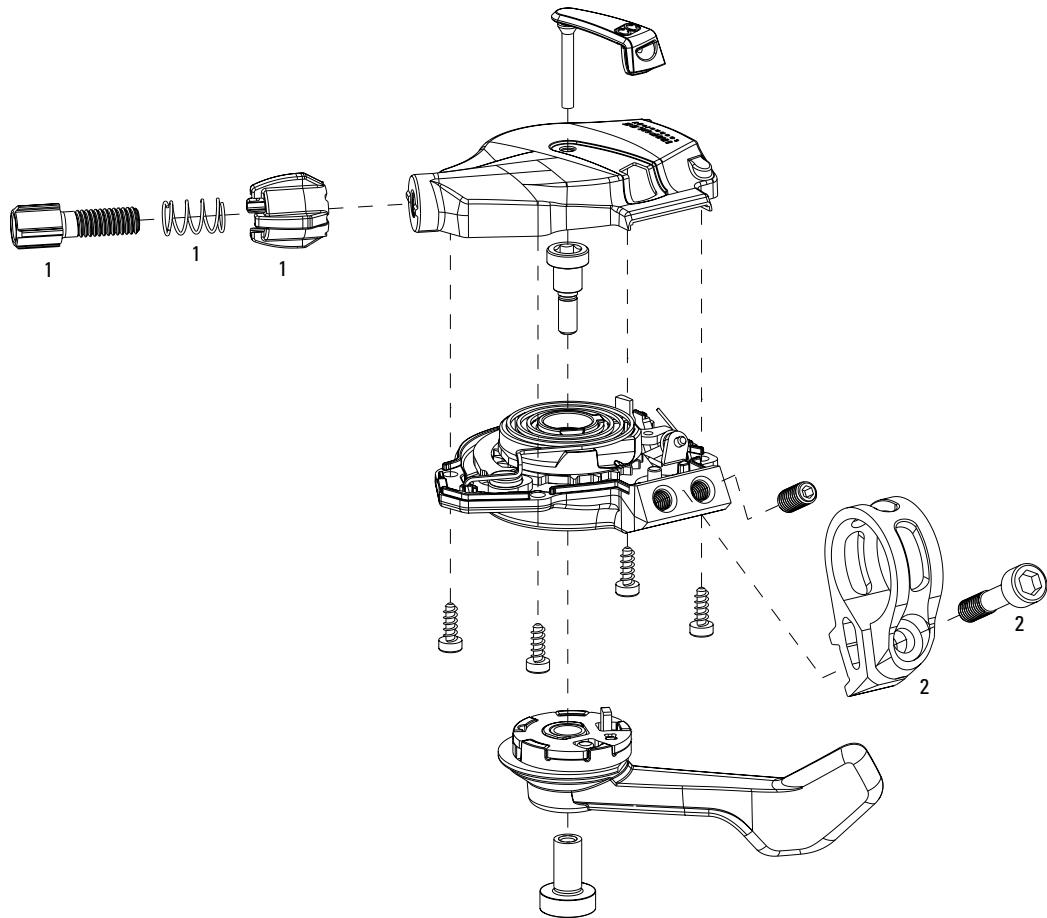
**No. Part Number Description**

1	11.7015.056.000	11 SL X9 10-11 X7 Barrel Adjuster Qty 2
ns	11.7015.033.000	07-09 X0/X9/X7 Trigger Clamp/Bolt Kit, Qty 1
2	11.7015.033.070	Trigger Clamp/Bolt Kit Shiny Black Qty 1
3	11.7015.072.000	12 X5 Trigger Barrel Adjuster Kit
ns	11.7018.009.000	Via GT Trigger Clamp/Bolt Kit Falcon Grey Qty 1



**No. Part Number Description**

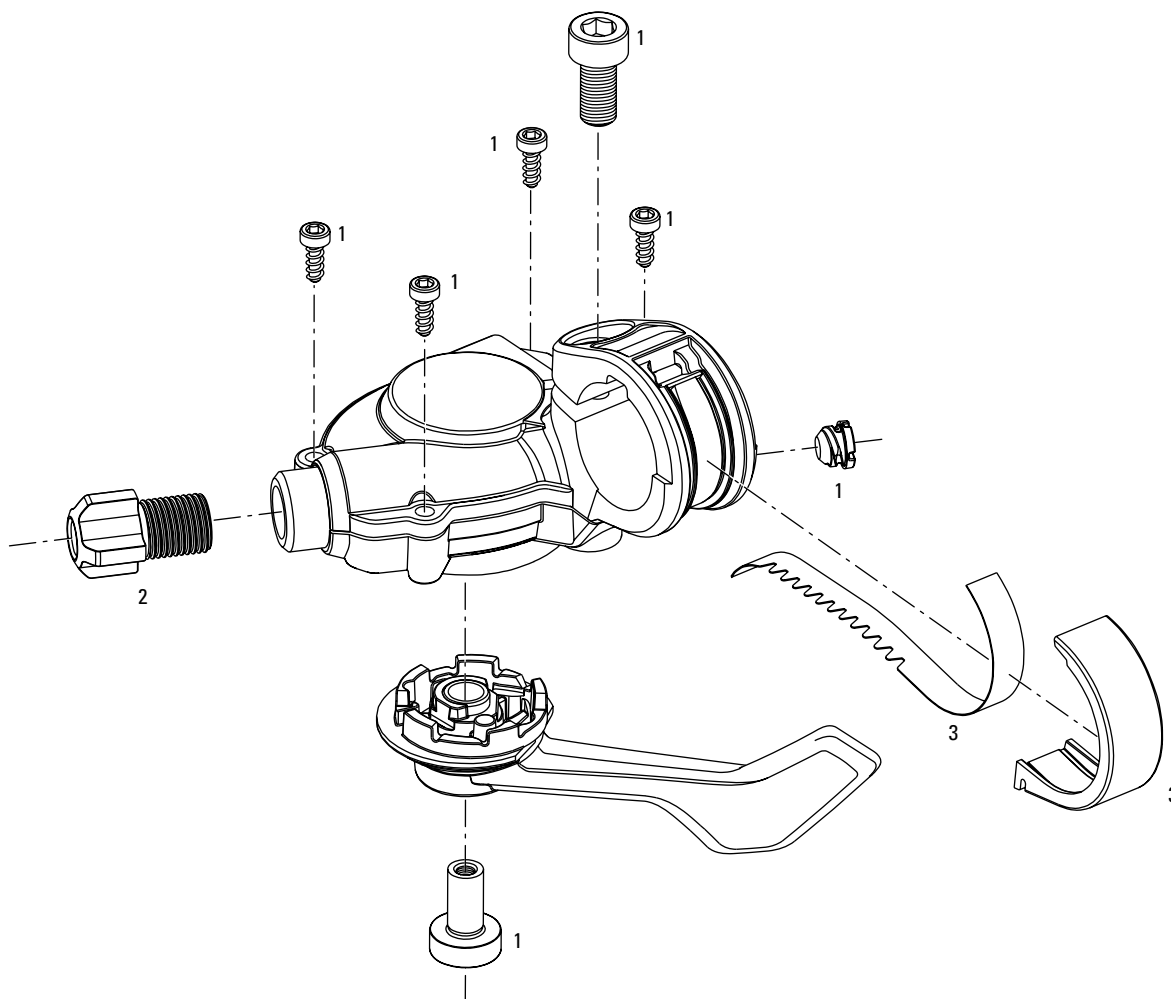
1a	11.7015.024.000	07-09 X0/X9 Trigger Barrel Adjuster Qty 2 (M6, 3PC)
1b	11.7015.025.000	06-07 X0 / 07 X9 Trigger Barrel Adj Qty 2 (M10, 2PC)
2	11.7015.033.000	07-09 X0/X9/X7 Trigger Clamp/Bolt Kit, Qty 1
3	11.7015.027.000	07-09 X9 Trigger Cover/Cap, Left New (< Nov 06)
3	11.7015.028.000	07-09 X9 Trigger Cover/Cap, Right New (< Nov 06)
4	11.7015.033.070	Trigger Clamp/Bolt Kit Shiny Black Qty 1



**No. Part Number Description**

- 1 11.7015.056.000 11 SL X9 10-11 X7 Barrel Adjuster Qty 2
- 2 11.7015.033.000 07-09 X0/X9/X7 Trigger Clamp/Bolt Kit, Qty 1

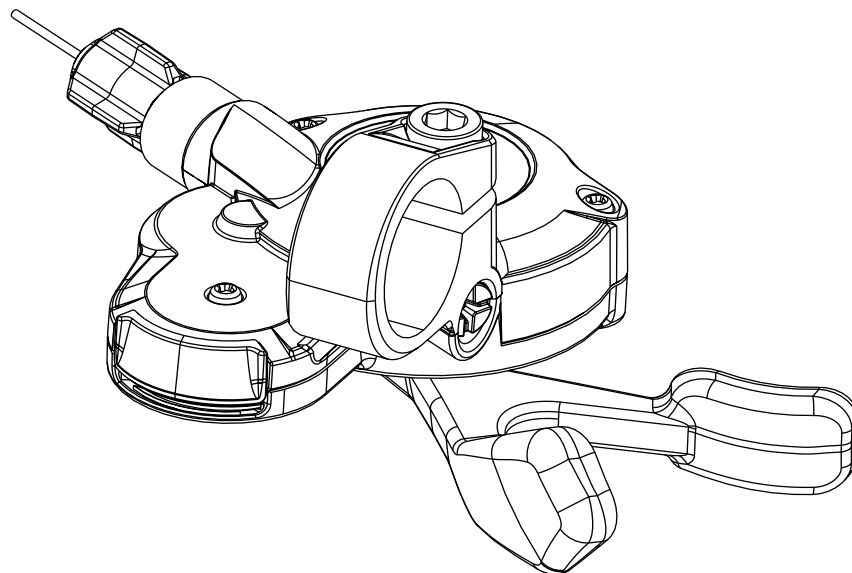
**SRAM X7 (2007-2009) / X9 (2006), X5, X-GEN (2008-2010) / X9 (2005) / X7 (2005-2006)  
ROCKET, ATTACK (2005-2009) / DUALDRIVE (2006-2008) / SX5 (2007) - TRIGGER SHIFTER 3x9**



**No. Part Number Description**

1	00.0000.200.931	Trigger Bolt Kit Qty 1 - 06 X9 / 07-09 X7 / Rocket/Attack/07 SX5 / 08-09 X5 - XGen / Dualdrive
2	11.7015.025.000	06-07 X0 / 07 X9 Trigger Barrel Adj Qty 2 (M10, 2PC)
3	00.0000.200.933	Gear Indicator/Lens 9Spd Left/Right - 06 X9 / 07-09 X7 / Rocket/Attack / SX5 / X5 / XGen

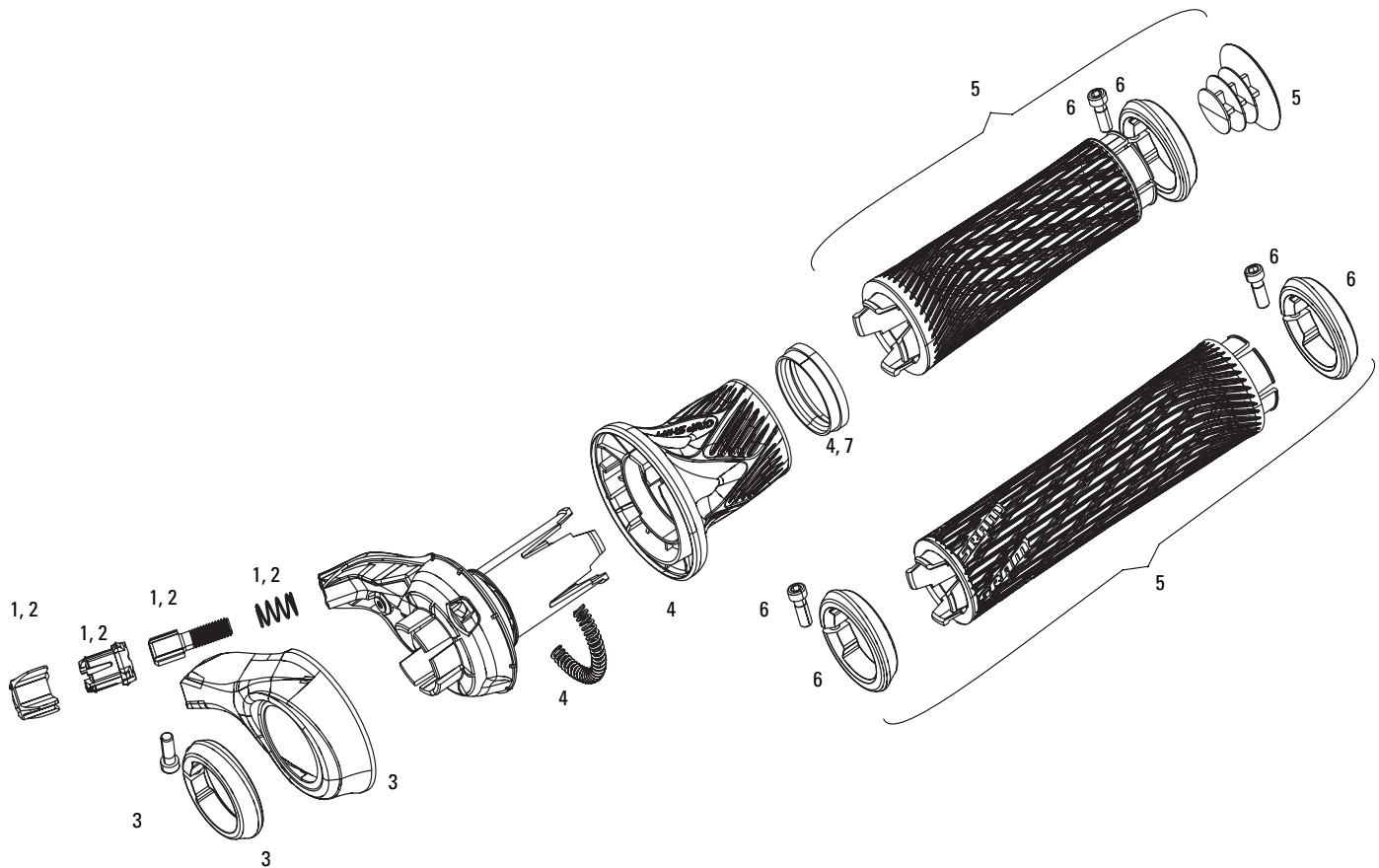




---

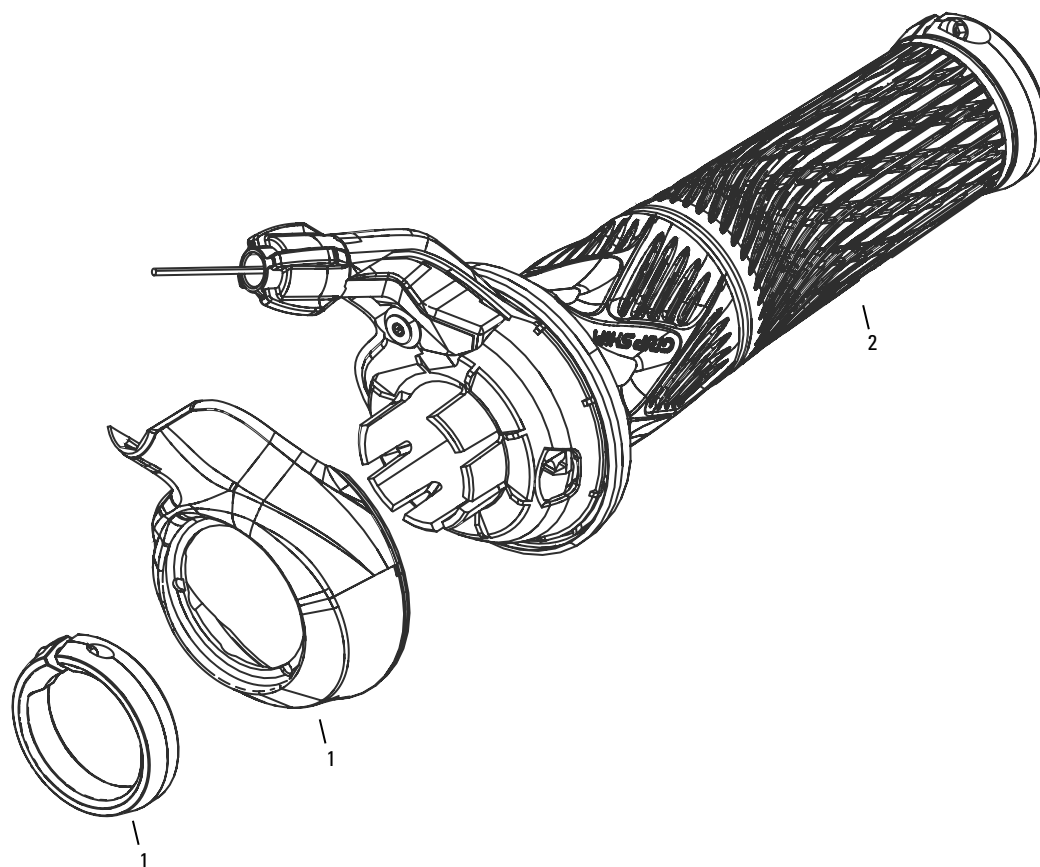
**No. Part Number Description**

ns	11.7015.063.000	X4 X3 VIA Gear Indicator Lens w X4 X3 Via Backgrounds Left
ns	11.7015.063.010	X4 X3 VIA Gear Indicator Lens w X4 X3 Via Backgrounds Right



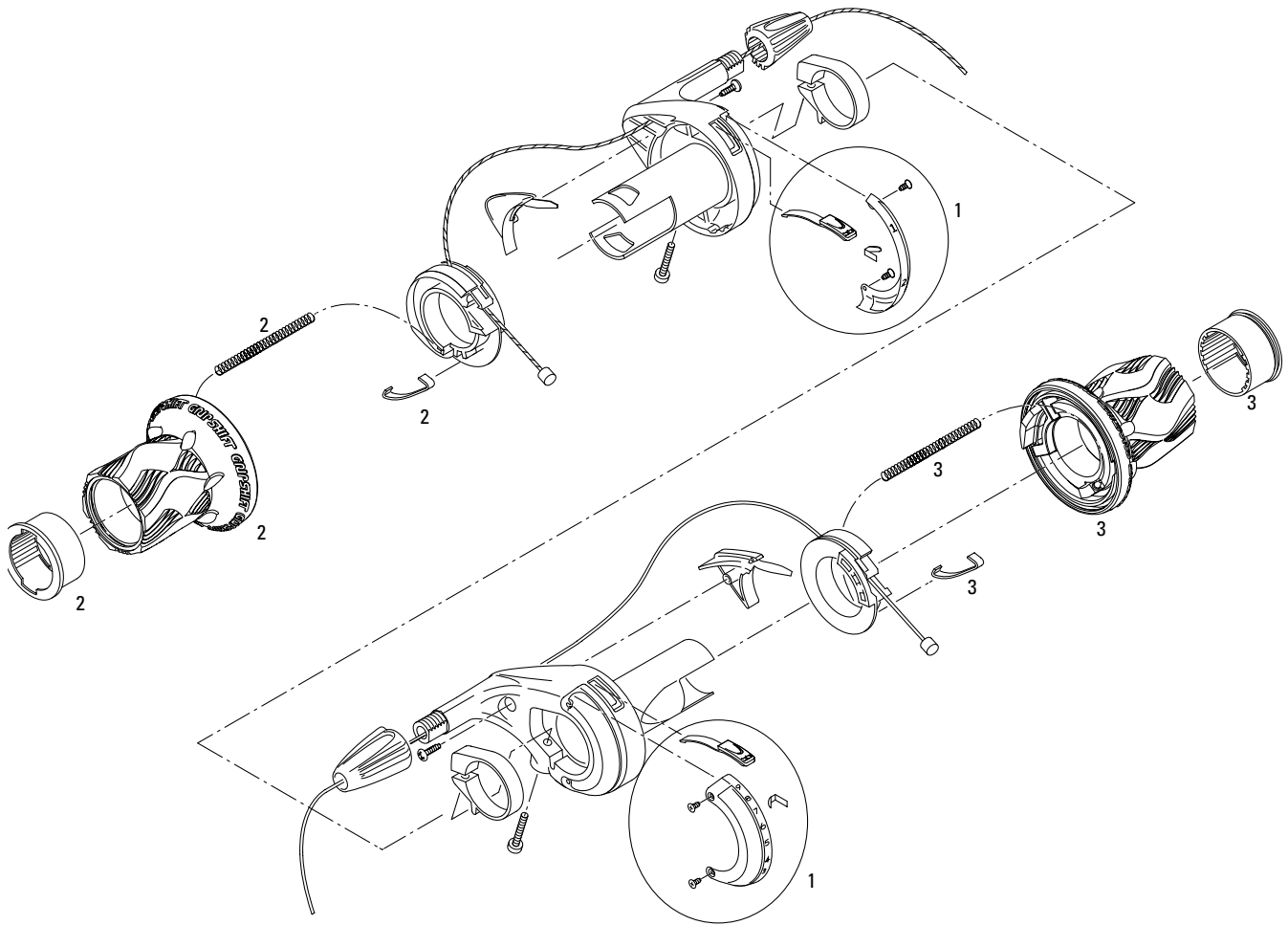
No.	Part Number	Description
-----	-------------	-------------

1	11.7018.006.000	XX/X01/X0 Silver Grip Shift/Trigger Barrel Adjuster Kit Qty 1
2	11.7018.006.001	XX1/X0 Grip Shift Barrel Adjuster Kit Black Qty 1
3	11.7018.015.000	XX1 Grip Shift Cover/Clamp Kit, Right Qty 1
3	11.7018.034.000	X01 Grip Shift Cover/Clamp Kit Black, Right Qty 1
3	11.7018.034.001	X01 Grip Shift Cover/Clamp Kit Red, Right Qty 1
3	11.7018.007.000	XX Grip Shift Cover/Clamp Kit, Right Qty 1
3	11.7018.007.001	XX Grip Shift Cover/Clamp Kit, Left Qty 1
3	11.7018.008.000	X0 Grip Shift Silver Cover/Clamp Kit, Right Qty 1
3	11.7018.008.001	X0 Grip Shift Silver Cover/Clamp Kit, Left Qty 1
3	11.7018.008.002	X0 Grip Shift Red Cover/Clamp Kit, Right Qty 1
3	11.7018.008.003	X0 Grip Shift Red Cover/Clamp Kit, Left Qty 1
4	11.7018.010.000	XX/X0 Shift Grip F W Spring & Lockrings
4	11.7018.010.001	XX1/XX/X0/X01 Shift Grip Rear W Spring & Lockrings
5	00.7918.013.000	Locking Grips for Grip Shift Integrated 100mm with Silver Clamp and End Plug
5	00.7918.013.001	Locking Grips for Grip Shift Integrated 100mm with Black Clamp and End Plug
5	00.7918.013.002	Locking Grips for Grip Shift Full Length 122mm with Silver Clamps and End Plug
5	00.7918.013.003	Locking Grips for Grip Shift Full Length 122mm with Black Clamps and End Plug
5	00.7918.013.004	Locking Grips for XX1 Grip Shift 100mm and 122mm with Silver Clamps and End Plug
5	00.7918.013.005	Locking Grips for XX1 Grip Shift 100mm and 122mm with Black Clamps and End Plug
6	11.7018.017.000	XX1/XX/X0/X01 Grip Shift Discrete Lockrings to use with Non Lock On Grips Qty 2
7	11.7018.016.000	XX1/X01 Lock-On Grip Clamp and Bolt Black
7	11.7018.017.001	XX1/XX/X0/X01 Grip Shift Lockrings to use with Lock-On Grips Qty2



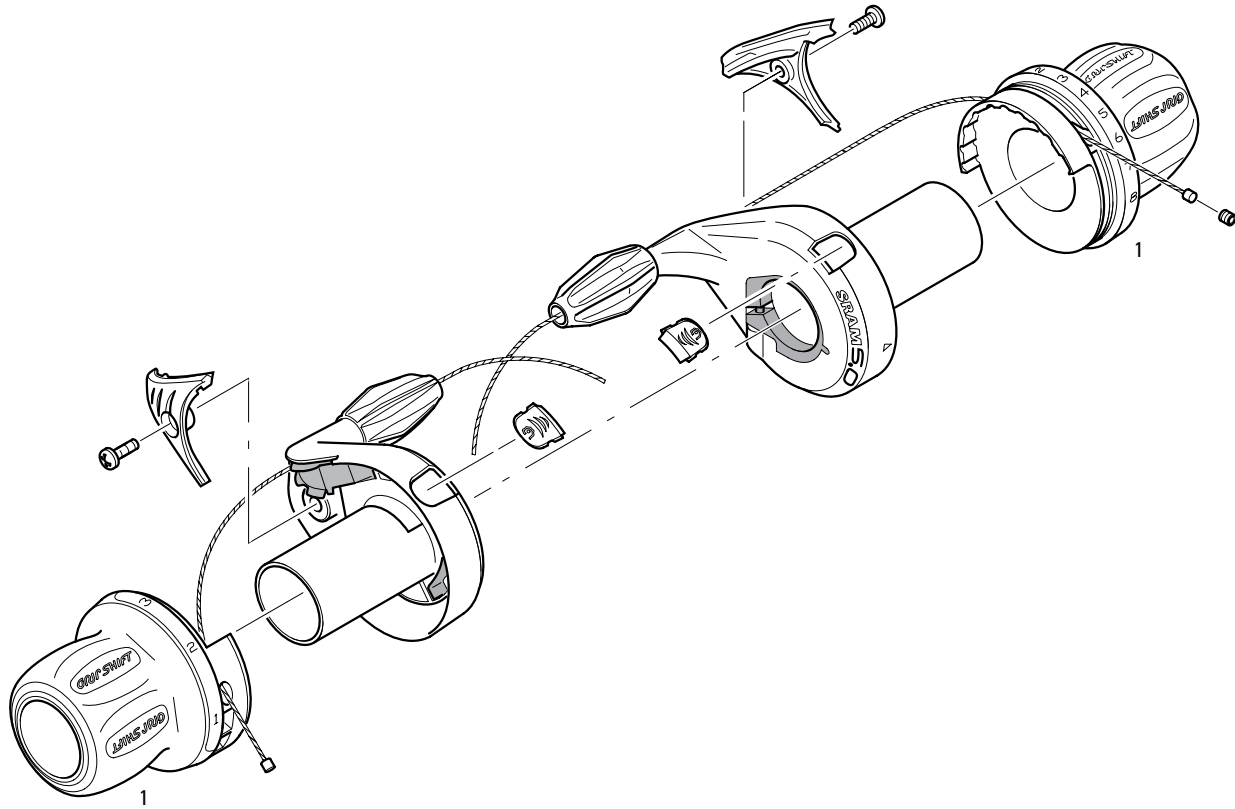
**No. Part Number Description**

1	11.7018.045.000	GX Grip Shift 11 Speed Rear Black Cover with Clamp
1	11.7018.045.001	GX Grip Shift 11 Speed Rear Red Cover with Clamp
1	11.7018.045.002	GX Grip Shift 2X11 Speed Front Black Cover with Clamp
1	11.7018.045.003	GX Grip Shift 2X11 Speed Front Red Cover with Clamp
1	11.7018.054.000	NX Grip Shift Cover/Clamp Kit Black, Right Qty 1
2	00.7918.013.001	Locking Grips for Grip Shift Integrated 100mm with Black Clamp and End Plug
2	00.7918.013.003	Locking Grips for Grip Shift Full Length 122mm with Black Clamps and End Plug



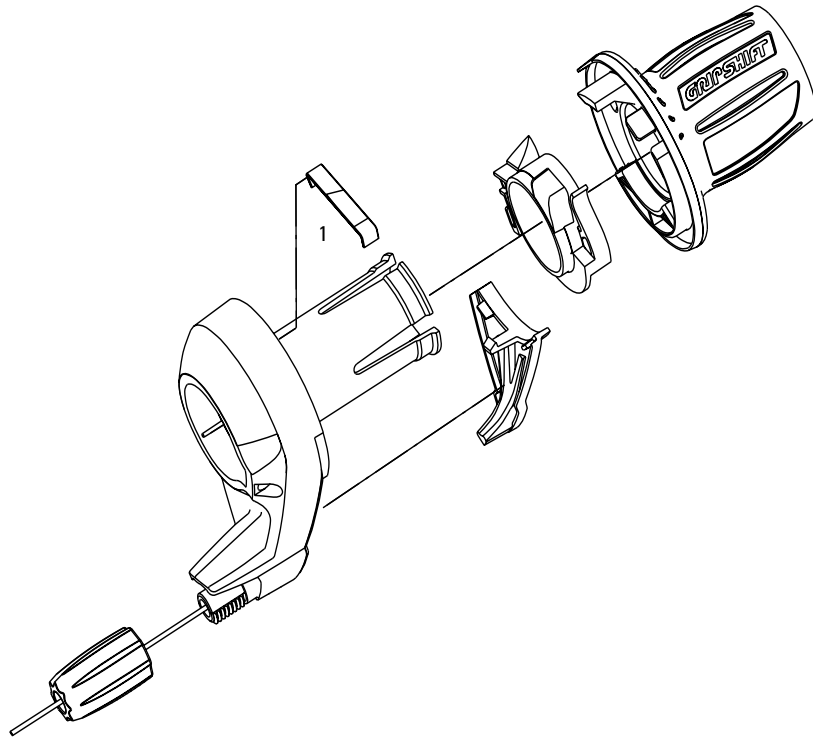
**No. Part Number Description**

1	00.0000.200.561	X0 / X9 / X7 / Rocket Gear Indicator Kit, Left
2	00.0000.200.598	X0 Grip Assy, Left, Micro Adjust
2	00.0000.200.599	X0 Grip Assy, Left, Index
2	00.0000.200.562	X9 / Rocket Grip Assy, Left, Micro Adjust
2	00.0000.200.597	X7 / Attack Grip Assy, Left, Index
3	00.0000.200.610	X0 Grip Assy, Right, 8/9Spd
3	00.0000.200.606	X9 Grip Assy, Right, 8/9Spd
3	00.0000.200.608	X7 Grip Assy, Right, 8/9Spd
3	00.0000.200.609	Attack Grip Assy, Right



**No. Part Number Description**

1 00.0000.200.350 5.0/Centura Shorty Grips, Pair



---

**No. Part Number Description**

1 11.7015.067.000 Indexing Spring 3.0 / MRX 10pcs



Part Number	Description
11.6115.529.100	XX Left Crank Arm GXP Q156 170
11.6115.529.140	XX Left Crank Arm GXP Q166 170
11.6115.529.150	XX Left Crank Arm GXP Q166 175
11.6118.005.000	XX1 Left Crank Arm GXP Q156 170
11.6118.005.001	XX1 Left Crank Arm GXP Q156 175
11.6118.005.002	XX1 Left Crank Arm GXP Q168 170
11.6118.005.003	XX1 Left Crank Arm GXP Q168 175
11.6118.005.004	XX1 Left Crank Arm GXP Black Q156 170
11.6118.005.005	XX1 Left Crank Arm GXP Black Q156 175
11.6118.005.006	XX1 Left Crank Arm GXP Black Q168 170
11.6118.005.007	XX1 Left Crank Arm GXP Black Q168 175
11.6918.001.000	XX1 Chain Ring Bolt Kit 4-arm Aluminum Zephyr Grey
11.6118.029.003	X01 Left Crank Arm GXP 175 Black
11.6118.029.002	X01 Left Crank Arm GXP 175 Red
11.6118.029.001	X01 Left Crank Arm GXP 170 Black
11.6118.029.000	X01 Left Crank Arm GXP 170 Red
11.6118.030.000	Left Arm X01DH GXP 165 Red
11.6118.030.001	Left Arm X01DH GXP 165 Black
11.6118.036.000	Left Crank Arm X1 1000 GXP 170 Black
11.6118.036.001	Left Crank Arm X1 1000 GXP 175 Black
11.6118.037.000	Left Crank Arm X1 1400 GXP 170 Black
11.6118.037.001	Left Crank Arm X1 1400 GXP 175 Black
11.6118.037.002	Left Crank Arm X1 1400 GXP 170 Red
11.6118.037.003	Left Crank Arm X1 1400 GXP 175 Red
11.6115.543.080	Left Arm X0 GXP 170 Silver
11.6115.543.010	Left Arm X0 GXP 170 Red
11.6115.543.000	Left Arm X0 GXP 170 Black
11.6115.543.040	Left Arm X0 GXP 175 Black
11.6115.543.050	Left Arm X0 GXP 175 Red
11.6115.550.010	Left Arm X0DH GXP 170 Red
11.6115.550.020	Left Arm X0DH GXP 175 Red
11.6118.039.000	Left Crank Arm GX 1000 GXP Black 175mm
11.6118.039.001	Left Crank Arm GX 1000 GXP Black 170mm
11.6118.040.000	Left Crank Arm GX 1400 GXP Black 175mm
11.6118.040.001	Left Crank Arm GX 1400 GXP Black 170mm
11.6118.040.002	Left Crank Arm GX 1400 GXP Red 175mm
11.6118.040.003	Left Crank Arm GX 1400 GXP Red 170mm
11.6115.544.000	Left Arm X9 GXP 170 Grey
11.6115.545.000	Left Arm X7 GXP 170 Storm Grey
11.6115.548.000	Left Arm X5 GXP 170 Black
11.6115.548.010	Left Arm X5 GXP 175 Black



## SPIDER

Part Number	Description
11.6118.004.001	XX1 Spider with Chain Ring Bolts GXP 76BCD 11Speed Arctic Grey
11.6118.004.002	XX1 Spider with Chain Ring Bolts BB30 76BCD 11Speed Arctic Grey
11.6218.014.000	Spider X01 GXP for Guard 11speed 94bcd Nano Black
11.6218.014.001	Spider X01 GXP No Outer Position 11speed 94bcd Nano Black
11.6218.014.002	Spider X01 BB30 for Guard 11speed 94bcd Nano Black
11.6218.014.003	Spider X01 BB30 No Outer Position 11speed 94bcd Nano Black
11.6218.008.000	Spider X0 GXP 10speed 120/80 Mirror Black
11.6218.008.001	Spider X0 BB30 10speed 120/80 Mirror Black
11.6115.551.000	Spider X0DH 104/64 bcd Single Speed GXP Mirror Black
11.6115.551.010	Spider X0DH 104/64 bcd Single Speed BB30 Mirror Black
11.6918.003.000	X01 Chainring Bolt Kit 4-arm Aluminum Black
11.6118.026.000	Removeable Spider Torx25 Mounting Bolts Qty3

## BOTTOM BRACKET

11.6415.001.000	Bottom Bracket Bearing Adjuster BB30 Press Fit 30
11.6415.004.000	GXP Drive Side Reducer Shield Qty 10
11.6115.552.000	Wave Washer for GXP to PressFit Adapter 24.5mm QTY 5
11.6415.007.010	Bottom Bracket Shield and Wave Washer Assembly PressFit GXP MTB
11.6415.007.030	Bottom Bracket Shield and Wave Washer Assembly PressFit 30 Bearing
11.6415.007.040	Bottom Bracket Shield and Wave Washer Assembly Pressfit GXP Specialized 84.5
11.6115.533.000	Spindle Spacer, BB30 - DS 13
11.6115.533.010	Spindle Spacer, BB30 - Drive Side 9.11
11.6115.533.020	Spindle Spacer, BB30 - Drive Side 15.46
11.6415.005.000	BB30 Spacer Kit 2 X 2.5mm
11.6415.001.000	Bottom Bracket Bearing Adjuster BB30 Press Fit 30

## CASSETTE

11.2415.022.000	Cassette Lockring Aluminum PG990, PG970 DH for 11T Red
11.2415.013.000	Cassette Lockring Aluminum OG1070, PG970 For 12T
11.2415.027.000	Cassette PG1050, PG1030, PG950 Lockring 11T Steel
11.2415.027.010	Cassette PG1050, PG950 Lockring 12T Steel
00.0000.201.007	Cassette Spacer PG990, 970DH, Qty 1

## CRANK

11.6900.002.160	Crank Arm Bolt M15/M25 Alloy Self-Extracting GXP Black Qty 1
11.6115.530.060	Crank Arm Bolt M18/M30 Alloy Self-Extracting BB30 Right Qty 1
11.6415.004.000	GXP Drive Side Reducer Shield Qty 10
11.6218.007.007	Chain Ring MTB 38T S1 104 49 Alum 5mm Tungsten Grey CNC-After L-Pin 2x10 Specialized (38-24)
11.6900.002.160	Crank Arm Bolt M15/M25 Alloy Self-Extracting GXP Black Qty 1
11.6215.193.060	XX Chain Ring Bolt Kit 4x2
11.6215.193.070	Chainring Bolt Kit 4x2 Steel/Steel Black
11.6215.193.080	Chainring Bolt Kit 4x2 Aluminum/Steel Black

**NOTE:** XX crank is compatible with XX 10 speed cassette, XX front derailleur and XX rear derailleur only.  
XX1 crank is compatible with XG-1199 11 speed cassette, XX1 shfters and XX1 rear derailleur only.





**Part Number    Description**

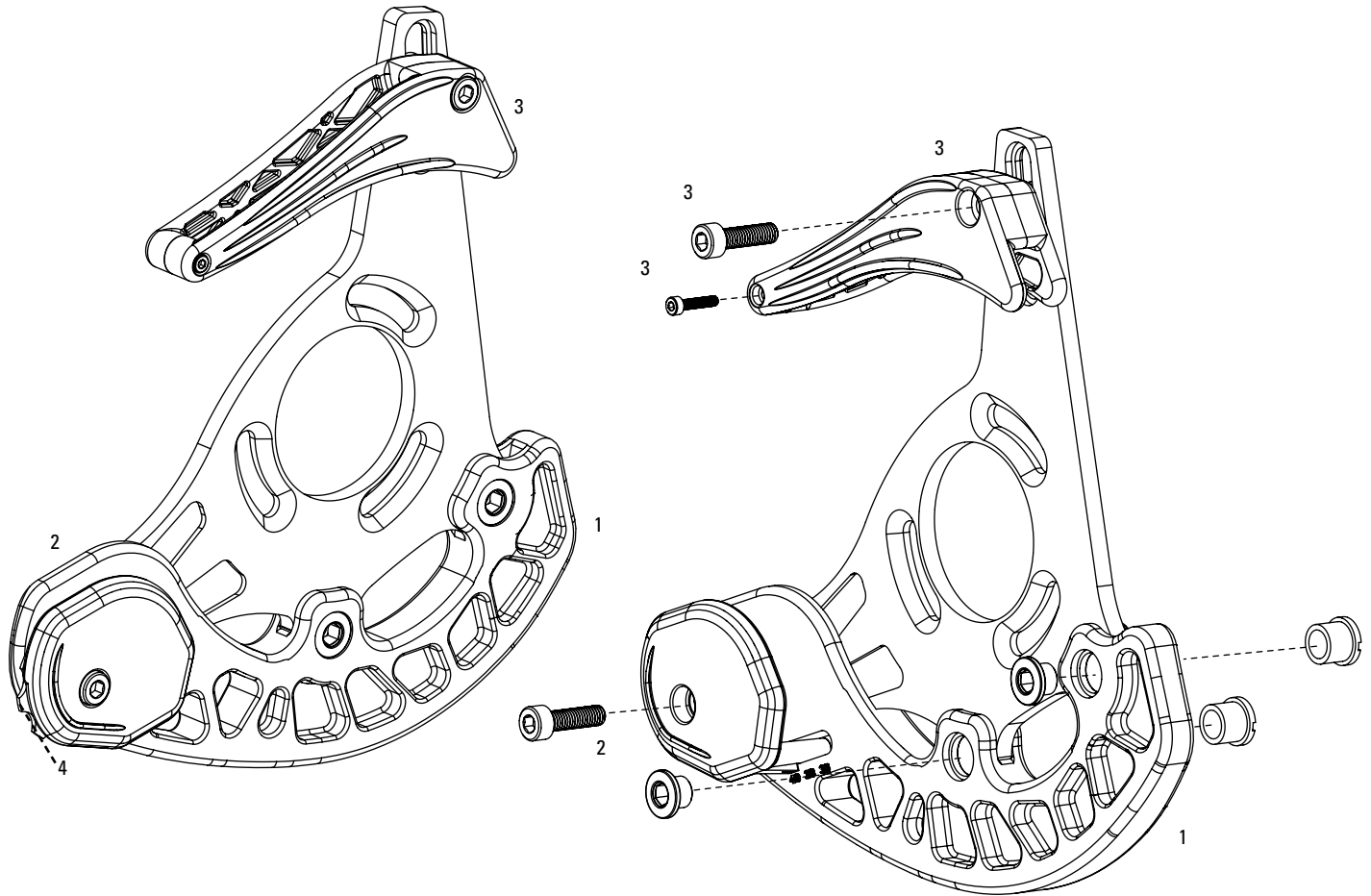
11.6115.530.060	Crank Arm Bolt M18/M30 Alloy Self-Extracting BB30 Right Qty 1
11.6215.188.120	XX Chain Ring 26T S1 80 AL3 Tungsten Grey 10 speed
11.6215.188.130	XX Chain Ring 28T S1 80 AL3 Tungsten Grey 10 speed
11.6215.188.140	XX Chain Ring 39T S1 120 AL6 Tungsten Grey L-Pin GXP 10 speed
11.6215.188.150	XX Chain Ring 39T S1 120 AL6 Tungsten Grey S-Pin BB30 10 speed
11.6215.188.160	XX Chain Ring 39T S1 120 AL6 Tungsten Grey C-Pin Cannondale 10 speed
11.6215.188.170	XX Chain Ring 42T S1 120 AL6 Tungsten Grey L-Pin GXP 10 speed
11.6215.188.180	XX Chain Ring 42T S1 120 AL6 Tungsten Grey S-Pin BB30 10 speed
11.6215.188.200	Chain Ring MTB 44T S1 104 AL5 Blast Black L-Pin GXP CNC 3x10
11.6215.188.210	Chain Ring MTB 44T S1 104 AL5 Blast Black S-Pin BB30 CNC 3x10
11.6215.188.220	Chain Ring MTB 42T S2 120 AL6 White L-Pin GXP 2x10
11.6215.188.230	Chain Ring MTB 42T S2 120 AL6 Blast Black S-Pin BB30 CNC 2x10
11.6215.188.240	Chain Ring MTB 42T S2 120 AL6 Blast Black L-Pin GXP CNC 2x10
11.6215.188.250	Chain Ring MTB 39T S2 120 AL6 Blast Black L-Pin GXP CNC 2x10
11.6215.188.260	Chain Ring MTB 39T S2 120 AL6 Blast Black L-Pin GXP CNC 2x10
11.6215.188.270	Chain Ring MTB 39T S2 120 AL6 Blast Black S-Pin BB30 CNC 2x10
11.6215.188.280	Chain Ring MTB 33T S1 104 AL5 Tungsten Grey 3x10
11.6215.188.290	Chain Ring MTB 33T S1 104 AL5 Blast Black 3x10
11.6215.188.300	Chain Ring MTB 28T S1 80 AL3 Blast Black 2x10
11.6215.188.310	Chain Ring MTB 26T S1 80 AL3 Blast Black 2x10
11.6215.188.320	Chain Ring MTB 36T S1 104 AL3 Blast Black 2x10 (Specialized 36/24)
11.6215.188.370	Chainring MTB 22T S1 64 AL3 Blast Black 10 Speed
11.6215.188.380	Chain Ring MTB 34T 104bcd AL4 Blast Black 1x10
11.6215.188.390	Chain Ring MTB 36T 104bcd AL4 Blast Black 1x10
11.6215.188.400	Chain Ring MTB 38T 104bcd AL4 Blast Black 1x10
11.6215.188.410	Chain Ring MTB 36T S1 104bcd 49 chainline AL5 Blast Black 2x10 No Pin (36/22)
11.6215.188.420	Chain Ring MTB 38T S1 104bcd 49 chainline AL5 Blast Black 2x10 No Pin (38/24)
11.6215.188.430	Chain Ring MTB 36T S1 104bcd 49 chainline AL5 Blast Black 2x10 Long Pin (36/22)
11.6215.188.440	Chain Ring MTB 38T S1 104bcd 49 chainline AL5 Blast Black 2x10 Long Pin (38/24)
11.6215.188.450	Chain Ring MTB 48T S1 104 AL5 Falcon Grey L-Pin 2x10 (48-32)
11.6215.188.460	Chain Ring MTB 32T S1 64 Alum 3mm Falcon Grey (48-32)
11.6218.021.000	Chain Ring MTB 34T 104 AL5 Blast Black 2x10 Medium Pin
11.6218.021.001	Chain Ring MTB 34T 104 AL5 Blast Black 2x10 Long Pin
11.6218.021.002	Chain Ring MTB 34T 104 AL5 Blast Black 2x10 No Pin
11.6218.022.000	Chain Ring MTB 36T 104 AL5 Blast Black 2x11 Medium Pin
11.6218.022.001	Chain Ring MTB 36T 104 AL5 Blast Black 2x11 Long Pin
11.6218.022.002	Chain Ring MTB 36T 104 AL5 Blast Black 2x11 No Pin
11.6218.023.000	Chain Ring MTB 24T 64 AL3 Blast Black 2x11 No Pin
11.6218.023.001	Chain Ring MTB 22T 64 AL3 Blast Black 2x10 No Pin

**NOTE:** XX crank is compatible with XX 10 speed cassette, XX front derailleur and XX rear derailleur only.  
 XX1 crank is compatible with XG-1199 11 speed cassette, XX1 shfters and XX1 rear derailleur only.



Part Number	Description
11.6218.004.000	XX1 Chain Ring 28T 76BCD Alum 6mm Grey 11 speed
11.6218.004.001	XX1 Chain Ring 30T 76BCD Alum 6mm Grey 11 speed
11.6218.004.002	XX1 Chain Ring 32T 76BCD Alum 6mm Grey 11 speed
11.6218.004.003	XX1 Chain Ring 34T 76BCD Alum 6mm Grey 11 speed
11.6218.004.004	XX1 Chain Ring 36T 76BCD Alum 6mm Grey 11 speed
11.6218.004.005	XX1 Chain Ring 38T 76BCD Alum 6mm Grey 11 speed
11.6218.007.007	Chain Ring MTB 38T S1 104 49 Alum 5mm Tungsten Grey CNC-After L-Pin 2x10 Specialized (38-24)
11.6218.012.000	Chain Ring X-Sync 30T 94BCD Alum 5mm Black w CNC Silver 11 speed
11.6218.012.001	Chain Ring X-Sync 32T 94BCD Alum 5mm Black w CNC Silver 11 speed
11.6218.012.002	Chain Ring X-Sync 34T 94BCD Alum 5mm Black w CNC Silver 11 speed
11.6218.012.003	Chain Ring X-Sync 36T 94BCD Alum 5mm Black w CNC Silver 11 speed
11.6218.012.004	Chain Ring X-Sync 38T 94BCD Alum 5mm Black w CNC Silver 11 speed
11.6218.013.000	Chain Ring X-Sync 32T 104BCD Alum 5mm Black 11 speed
11.6218.013.001	Chain Ring X-Sync 34T 104BCD Alum 5mm Black 11 speed
11.6218.013.002	Chain Ring X-Sync 36T 104BCD Alum 5mm Black 11 speed
11.6218.013.003	Chain Ring X-Sync 38T 104BCD Alum 5mm Black 11 speed
11.6218.018.000	Chain Ring X-Sync 30T Direct Mount 6 Degree Offset Alum 11 speed
11.6218.018.001	Chain Ring X-Sync 32T Direct Mount 6 Degree Offset Alum 11 speed
11.6218.018.002	Chain Ring X-Sync 34T Direct Mount 6 Degree Offset Alum 11 speed
11.6218.018.003	Chain Ring X-Sync 30T Direct Mount 0 Degree Offset Alum 11 speed
11.6218.018.004	Chain Ring X-Sync 32T Direct Mount 0 Degree Offset Alum 11 speed
11.6218.018.005	Chain Ring X-Sync 34T Direct Mount 0 Degree Offset Alum 11 speed
11.6218.018.006	Chain Ring X-Sync 26T Direct Mount 6 Degree Offset Alum 11 speed
11.6218.018.007	Chain Ring X-Sync 28T Direct Mount 6 Degree Offset Alum 11 speed
11.6218.018.008	Chain Ring X-Sync 36T Direct Mount 6 Degree Offset Alum 11 speed
11.6218.018.009	Chain Ring X-Sync 38T Direct Mount 6 Degree Offset Alum 11 speed
11.6218.018.010	Chain Ring X-Sync 40T Direct Mount 6 Degree Offset Alum 11 speed
11.6218.018.011	Chain Ring X-Sync 26T Direct Mount 0 Degree Offset Alum 11 speed
11.6218.018.012	Chain Ring X-Sync 28T Direct Mount 0 Degree Offset Alum 11 speed
11.6218.018.013	Chain Ring X-Sync 36T Direct Mount 0 Degree Offset Alum 11 speed
11.6218.018.014	Chain Ring X-Sync 38T Direct Mount 0 Degree Offset Alum 11 speed
11.6218.018.015	Chain Ring X-Sync 40T Direct Mount 0 Degree Offset Alum 11 speed
11.6218.026.000	Chain Ring X-SYNC STEEL 30T 94BCD Steel 3.5mm Black 11 speed
11.6218.026.001	Chain Ring X-SYNC STEEL 32T 94BCD Steel 3.5mm Black 11 speed
11.6218.027.000	Chain Ring X-SYNC STEEL 28T Direct Mount 6mm Offset Steel 3.5mm Black 11 speed
11.6218.030.000	Chain Ring X-SYNC 2 30T Direct Mount 6mm Offset Alum EagleBlack
11.6218.030.010	Chain Ring X-SYNC 2 32T Direct Mount 6mm Offset Alum EagleBlack
11.6218.030.020	Chain Ring X-SYNC 2 34T Direct Mount 6mm Offset Alum EagleBlack
11.6218.030.030	Chain Ring X-SYNC 2 36T Direct Mount 6mm Offset Alum EagleBlack
11.6218.030.040	Chain Ring X-SYNC 2 38T Direct Mount 6mm Offset Alum EagleBlack
11.6218.030.050	Chain Ring X-SYNC 2 30T Direct Mount 3mm Offset Boost Alum Eagle Black
11.6218.030.060	Chain Ring X-SYNC 2 32T Direct Mount 3mm Offset Boost Alum Eagle Black
11.6218.030.070	Chain Ring X-SYNC 2 34T Direct Mount 3mm Offset Boost Alum Eagle Black
11.6218.030.080	Chain Ring X-SYNC 2 36T Direct Mount 3mm Offset Boost Alum Eagle Black
11.6218.030.090	Chain Ring X-SYNC 2 38T Direct Mount 3mm Offset Boost Alum Eagle Black
11.6218.030.100	Chain Ring X-SYNC 2 30T Direct Mount 6mm Offset Alum EagleGold
11.6218.030.110	Chain Ring X-SYNC 2 32T Direct Mount 6mm Offset Alum EagleGold
11.6218.030.120	Chain Ring X-SYNC 2 34T Direct Mount 6mm Offset Alum EagleGold
11.6218.030.130	Chain Ring X-SYNC 2 36T Direct Mount 6mm Offset Alum EagleGold
11.6218.030.140	Chain Ring X-SYNC 2 38T Direct Mount 6mm Offset Alum EagleGold
11.6218.030.150	Chain Ring X-SYNC 2 30T Direct Mount 3mm Offset Boost Alum Eagle Gold
11.6218.030.160	Chain Ring X-SYNC 2 32T Direct Mount 3mm Offset Boost Alum Eagle Gold
11.6218.030.170	Chain Ring X-SYNC 2 34T Direct Mount 3mm Offset Boost Alum Eagle Gold
11.6218.030.180	Chain Ring X-SYNC 2 36T Direct Mount 3mm Offset Boost Alum Eagle Gold
11.6218.030.190	Chain Ring X-SYNC 2 38T Direct Mount 3mm Offset Boost Alum Eagle Gold
11.6218.033.000	Chain Ring X-SYNC 2 32T 104 BCD Alum Eagle Black
11.6218.033.010	Chain Ring X-SYNC 2 34T 104 BCD Alum Eagle Black
11.6218.033.020	Chain Ring X-SYNC 2 36T 104 BCD Alum Eagle Black
11.6218.033.030	Chain Ring X-SYNC 2 38T 104 BCD Alum Eagle Black

**NOTE:** XX crank is compatible with XX 10 speed cassette, XX front derailleur and XX rear derailleur only.  
 XX1 crank is compatible with XG-1199 11 speed cassette, XX1 shifters and XX1 rear derailleur only.  
 X-SYNC 2 is only compatible with XG-1295 and XG-1299 Eagle cassettes

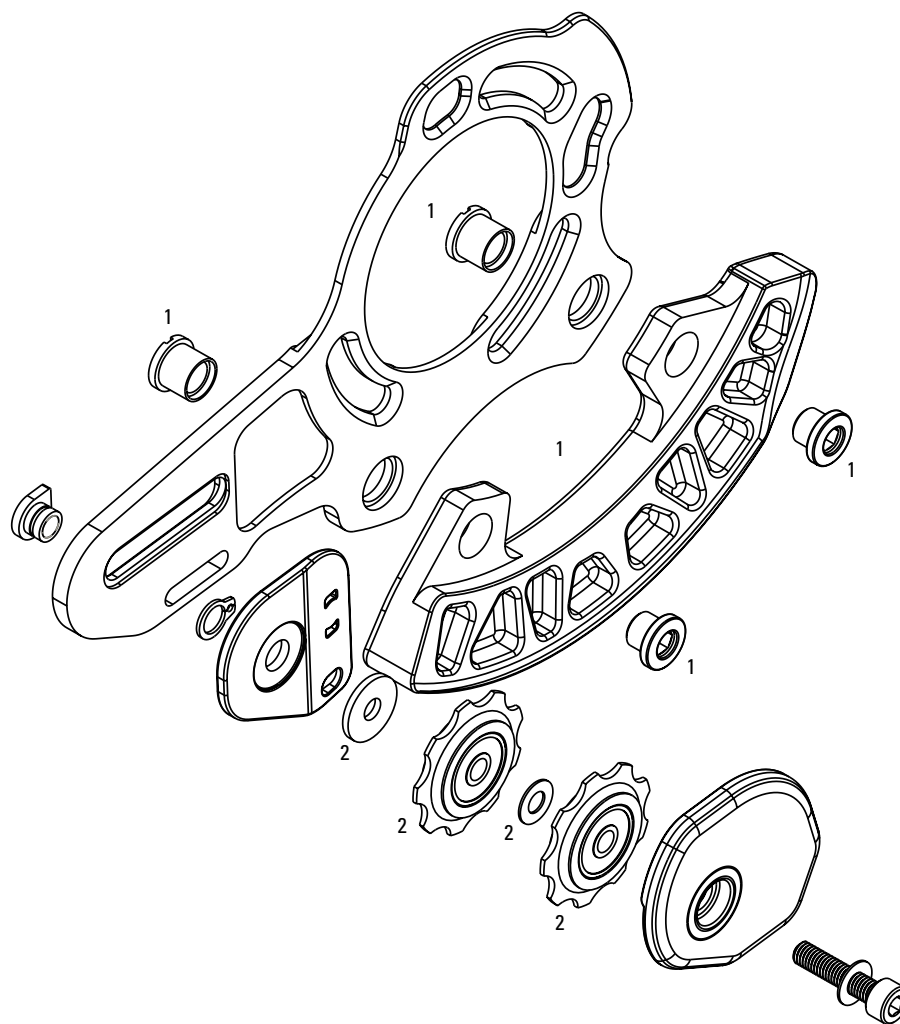


**NOTE**

1. All kits include hardware

**No. Part Number Description**

1	11.6315.032.000	Truvativ X0 Chain Guide 36-40T Black Skid Plate Kit
1	11.6315.032.020	Truvativ X0 Chain Guide 32-36T Black Skid Plate Kit
2	11.6315.033.000	Truvativ X0 Chain Guide Black Lower Guide Kit
3	11.6315.033.020	Truvativ X0 Chain Guide Black Upper Guide Kit
4	11.6315.034.000	Truvativ X0 Chain Guide Pulley Kit



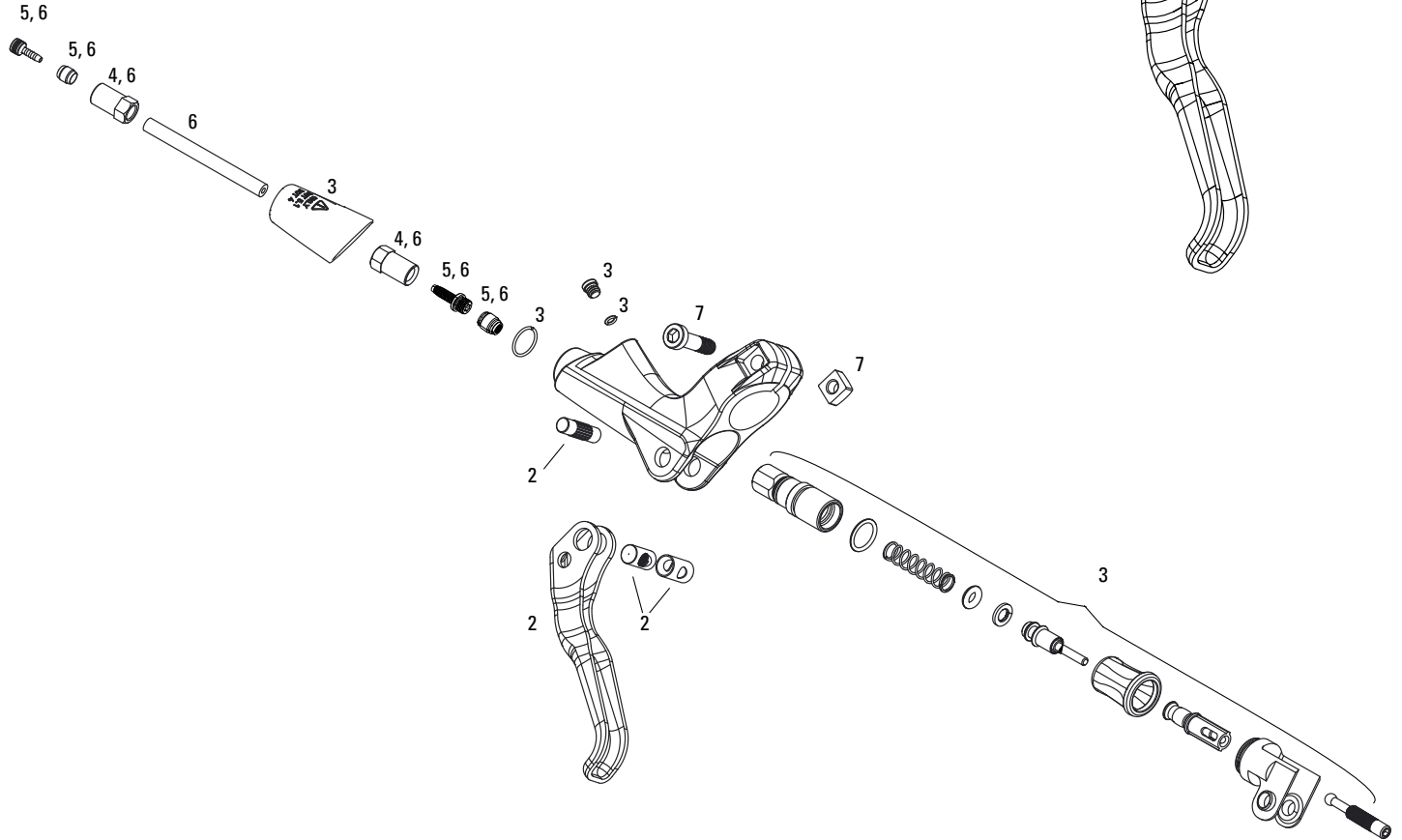
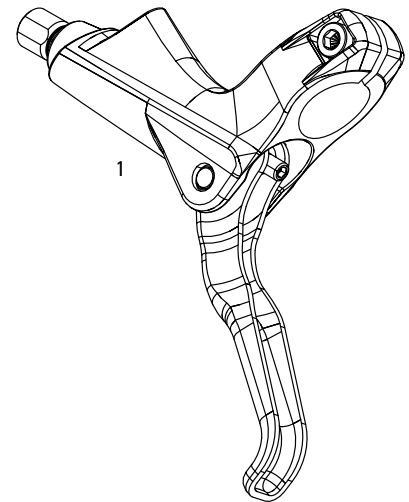
**NOTE**

1. All kits include hardware

**No. Part Number Description**

- 1 11.6318.000.000 Truvativ 2x10 X-Guide Black Skid Plate Kit
- 2 11.6318.002.000 Truvativ 2x10 X-Guide Pulley Kit

# DB 1 - HYDRAULIC DISC BRAKE - LEVERS



**Notes:**

1. Lever Internals kit is pre-assembled

## LEVER SPARES

No.	Part Number	Description
1	11.5015.030.650	Lever Assembly, Aluminum lever, Black (assembled, no hose) DB1
2	11.5018.003.007	Lever Blade Aluminum Black - DB1/DB3 Qty 1 A1
3	11.5018.005.002	Lever Internals DB1/DB3 Qty 1 A1

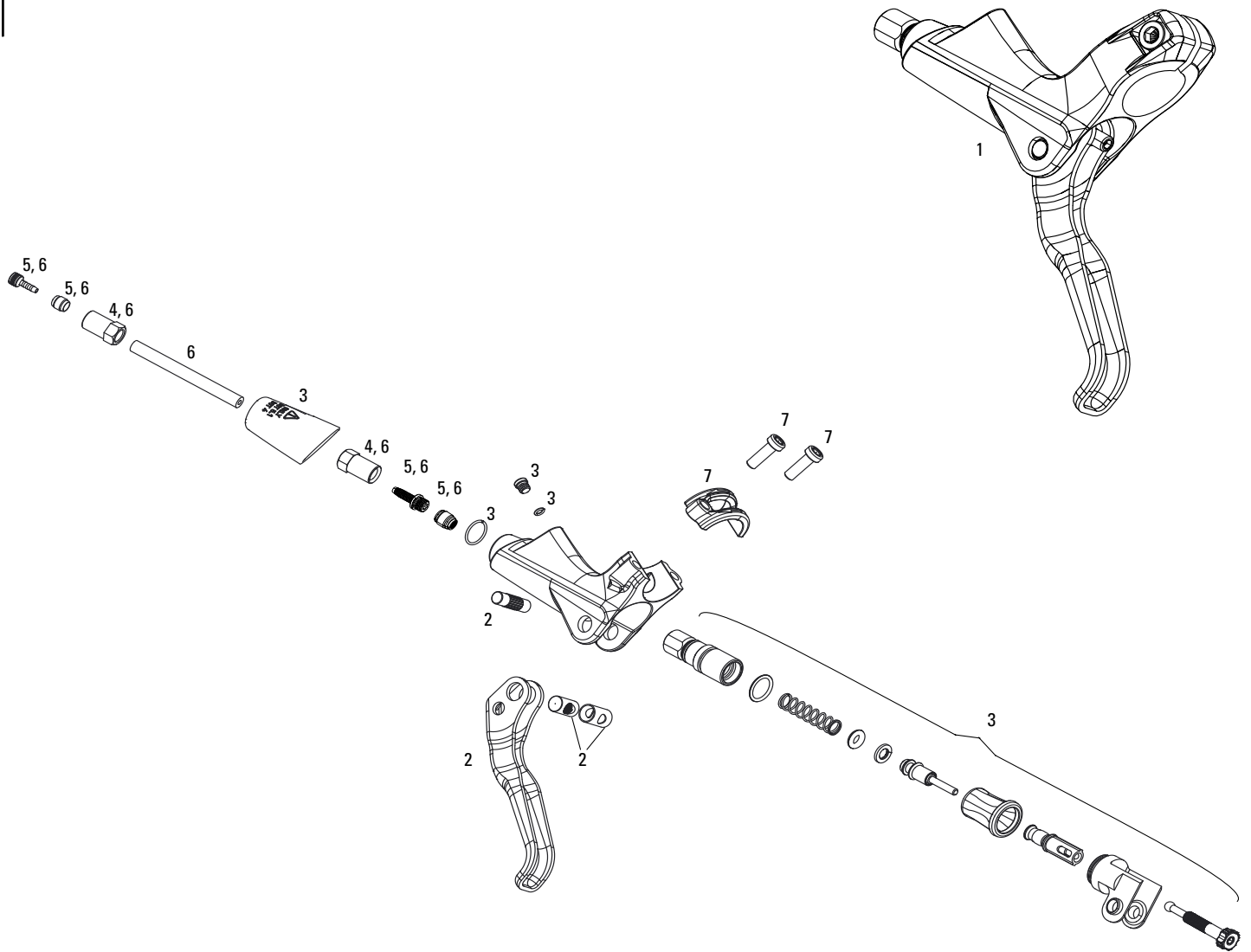
## HYDRAULIC LINES & FITTINGS

4	11.5309.766.000	Hydraulic Disc Brake Compression Hose Nut, Qty 5
5	11.5378.803.002	Hydraulic Disc Brake Hose Fitting Kit (includes 5 threaded hosebarbs, 5 red comp fittings, 1 T8 Torx) Qty 5
5	11.5378.803.003	Hydraulic Disc Brake Hose Fitting Kit (includes 50 threaded hosebarbs, 50 red comp fittings, 1 T8 Torx) Qty 50
6	00.5016.168.010	Hydraulic Line Kit - Code, Code R, Elixir 3, Elixir 1, Juicy3, DB 3/1, 2000mm, Black, Qty 1
6	00.5016.168.020	Hydraulic Line Kit - Code, Code R, Elixir 3, Elixir 1, Juicy3, DB 3/1, 2000mm, White, Qty 1

## LEVER CLAMPS

7	11.5018.019.000	Brake Lever Bolt kit for DB1 (includes bolt and square nut)A1 - DB1/Level
---	-----------------	---

# DB 3 - HYDRAULIC DISC BRAKE - LEVERS



**Notes:**

1. Lever Internals kit is pre-assembled

## LEVER SPARES

No.	Part Number	Description
1	11.5015.030.610	Lever Assembly, Aluminum lever, Black (assembled, no hose) DB3
1	11.5015.030.630	Lever Assembly, Aluminum lever, White (assembled, no hose) DB3
2	11.5018.003.007	Lever Blade Aluminum Black - DB1/DB3 Qty 1 A1
3	11.5018.005.002	Lever Internals DB1/DB3 Qty 1 A1

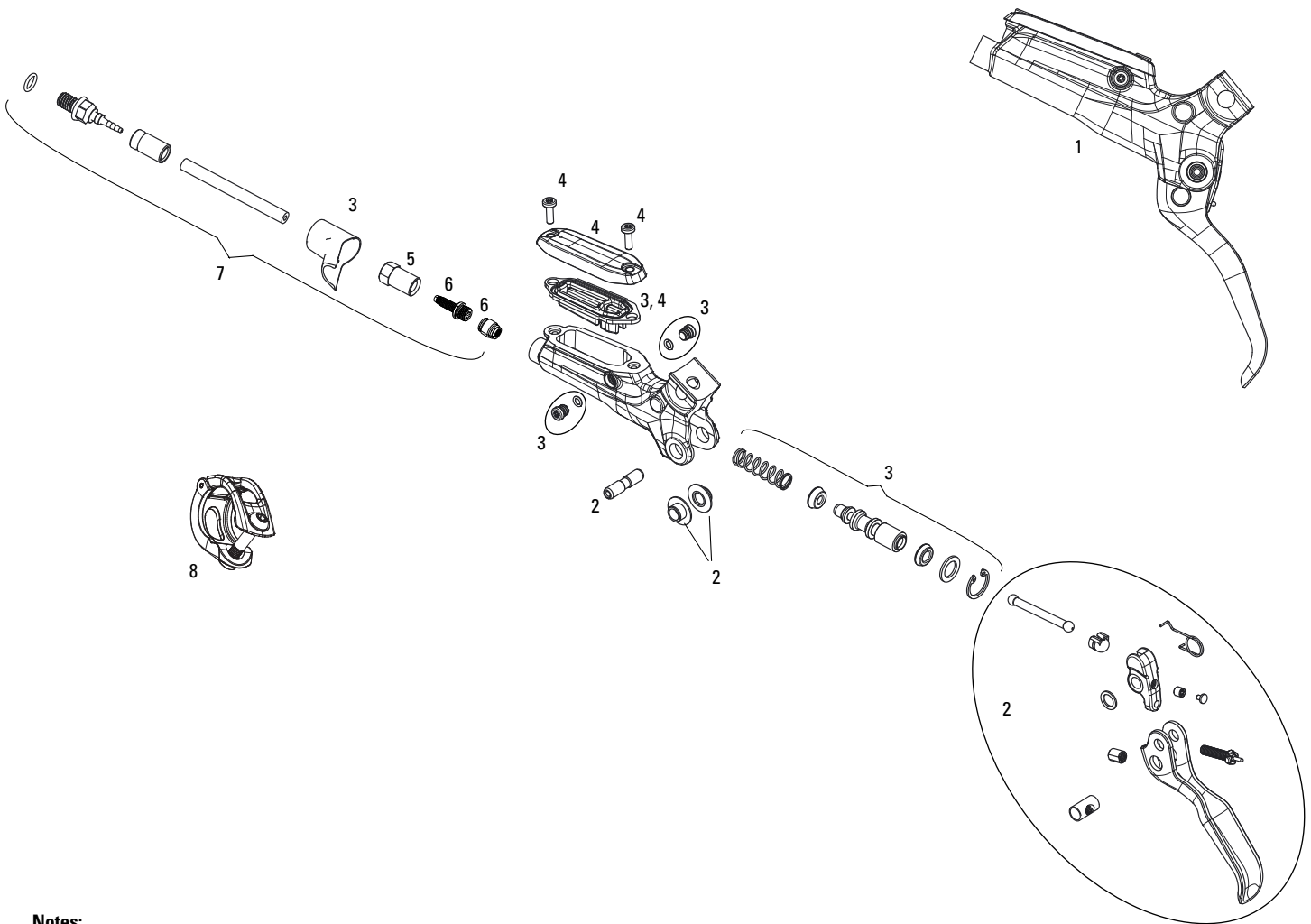
## HYDRAULIC LINES & FITTINGS

4	11.5309.766.000	Hydraulic Disc Brake Compression Hose Nut, Qty 5
5	11.5378.803.002	Hydraulic Disc Brake Hose Fitting Kit (includes 5 threaded hosebarbs, 5 red comp fittings, 1 T8 Torx) Qty 5
5	11.5378.803.003	Hydraulic Disc Brake Hose Fitting Kit (includes 50 threaded hosebarbs, 50 red comp fittings, 1 T8 Torx) Qty 50
6	00.5016.168.010	Hydraulic Line Kit - Code, Code R, Elixir 3, Elixir 1, Juicy3, DB 3/1, 2000mm, Black, Qty 1
6	00.5016.168.020	Hydraulic Line Kit - Code, Code R, Elixir 3, Elixir 1, Juicy3, DB 3/1, 2000mm, White, Qty 1

## LEVER CLAMPS

7	11.5015.029.030	Lever Split Clamp Kit, Black - Elixir 5/3, DB 3/1/Level T Qty 1 (Steel Hardware)
---	-----------------	--

# DB5 - HYDRAULIC DISC BRAKE - LEVERS



## Notes:

1. Lever Internals kit is pre-assembled

## LEVER SPARES

No.	Part Number	Description
1	11.5018.004.022	Lever Assembly, Aluminum lever, Hinged Clamp/MMX compatible, Black (assembled, no hose, includes hinged clamp) - DB5
1	11.5018.004.023	Lever Assembly, Aluminum lever, Hinged Clamp/MMX compatible, White (assembled, no hose, includes hinged clamp) - DB5
2	11.5018.003.008	Lever Blade Aluminum Black (includes cam guide) - DB5 Qty 1
3	11.5018.005.003	Lever Internals Guide R/RE/DB5 Qty 1
4	11.5018.022.000	Reservoir Cap Kit (includes reservoir cap, bladder and hardware) - Guide R/RE/RS/RSC/Ultimate/DB5

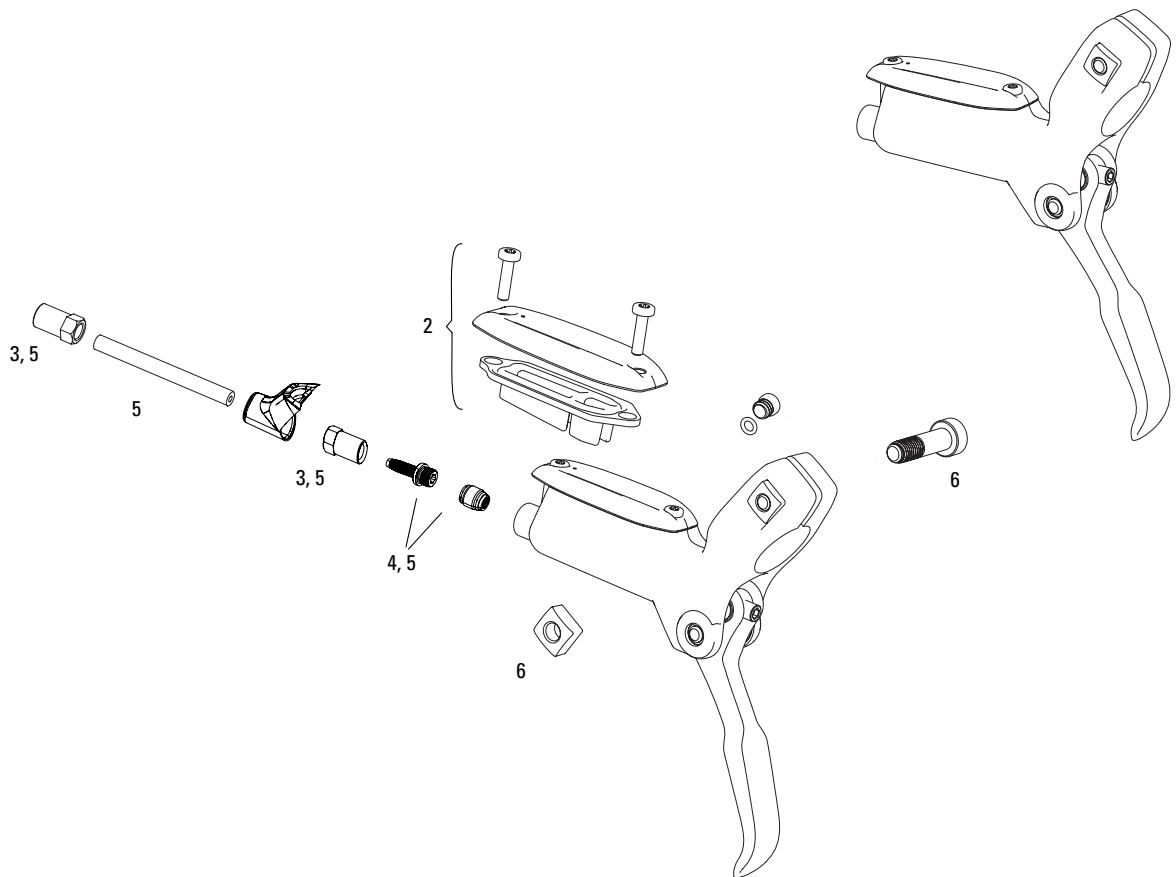
## HYDRAULIC LINES & FITTINGS

5	11.5309.766.000	Hydraulic Disc Brake Compression Hose Nut, Qty 5
6	11.5378.803.002	Hydraulic Disc Brake Hose Fitting Kit (includes 5 threaded hosebarbs, 5 red comp fittings, 1 T8 Torx) Qty 5
6	11.5378.803.003	Hydraulic Disc Brake Hose Fitting Kit (includes 50 threaded hosebarbs, 50 red comp fittings, 1 T8 Torx) Qty 50
7	00.5016.168.130	Hydraulic Line Kit - GUIDE R/RS/RSC, DB5, 2000mm, Stainless, Black, Qty 1
7	00.5016.168.140	Hydraulic Line Kit - GUIDE R/RS/RSC, DB5, 2000mm, 2000mm, Stainless, White, Qty 1

## LEVER CLAMPS

8	11.5315.048.050	MMX Clamp, Silver, Lever (Stainless Steel Bolt T25) - Guide, Level, DB5 Elixir 9/7/CR Mag/X0/XX, Qty 1
8	11.5315.048.060	MMX Clamp, Silver, Lever (Ti Bolt T25) - Guide, Level, DB5 Elixir 9/7/CR Mag/X0/XX, Qty 1
8	11.5315.048.070	MMX Clamp, Black, Lever (Stainless Steel Bolt T25) - Guide, Level, DB5 Elixir 9/7/CR Mag/X0/XX, Qty 1
8	11.5315.048.080	MMX Clamp, Black, Lever (Ti Bolt T25) - Guide, Level, DB5 Elixir 9/7/CR Mag/X0/XX, Qty 1

# LEVEL - HYDRAULIC DISC BRAKE - LEVERS



## Notes:

1. Level lever replaces DB1
2. Level brakes use new threaded barb and olive with T8 Torx tool.

## LEVER SPARES

No.	Part Number	Description
1	11.5018.004.032	Lever Assembly, Aluminum lever, Black (assembled, no hose) -Level
2	11.5018.022.001	Reservoir Cap Kit (includes reservoir cap, bladder and hardware) - Level Ultimate/TLM/TL/T/ Level

## HYDRAULIC LINES & FITTINGS

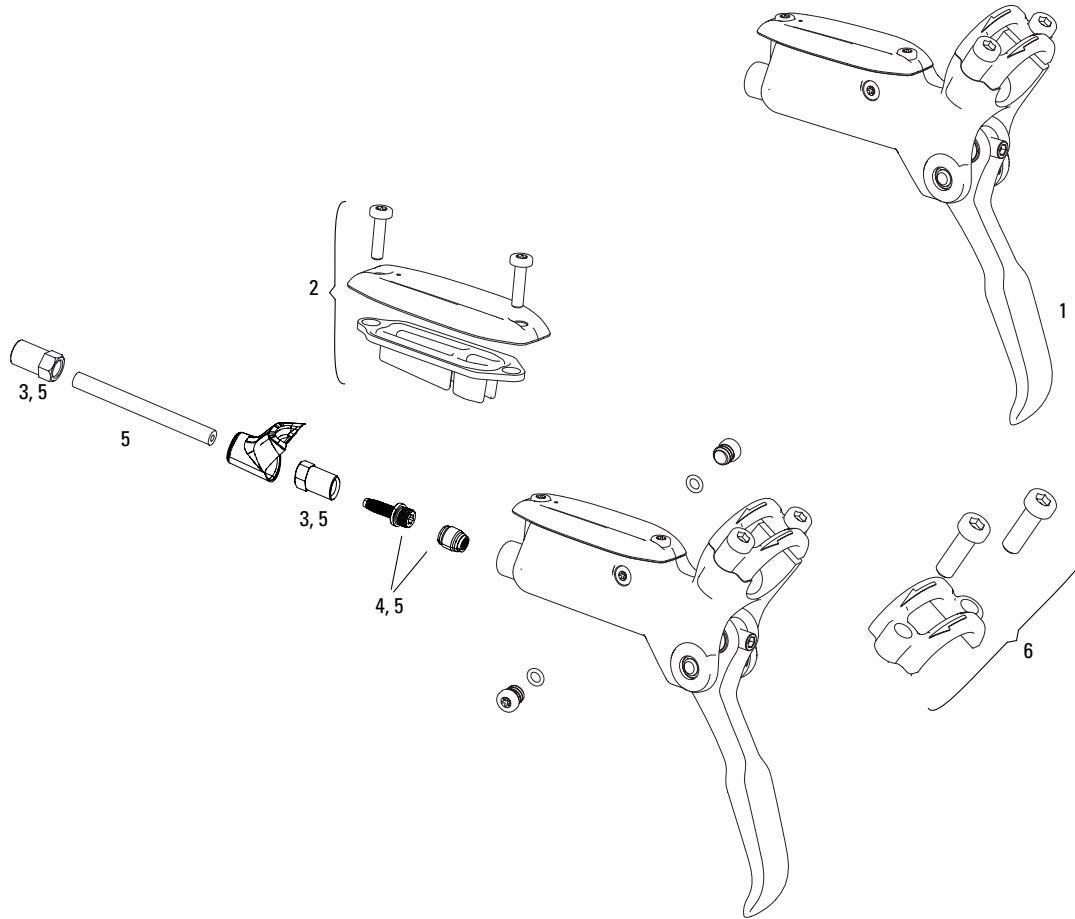
3	11.5309.766.000	Hydraulic Disc Brake Compression Hose Nut, Qty 5
4	11.5378.803.002	Hydraulic Disc Brake Hose Fitting Kit (includes 5 threaded hosebarbs, 5 red comp fittings, 1 T8 Torx) Qty 5
4	11.5378.803.003	Hydraulic Disc Brake Hose Fitting Kit (includes 50 threaded hosebarbs, 50 red comp fittings, 1 T8 Torx) Qty 50
5	00.5016.168.010	Hydraulic Line Kit - Code/Code R/Elixir 3/Elixir 1/Juicy 3/DB 3/DB 1/Level T/Level/Guide RE, 2000mm, Black, Qty 1
5	00.5016.168.020	Hydraulic Line Kit - Code/Code R/Elixir 3/Elixir 1/Juicy 3/DB 3/DB 1/Level T/Level/Guide RE, 2000mm, White, Qty 1

## LEVER CLAMPS

6	11.5018.019.000	Brake Lever Bolt kit for DB1 (includes bolt and square nut)A1 - DB1/Level
---	-----------------	---



# LEVEL T - HYDRAULIC DISC BRAKE - LEVERS



## Notes:

1. Level T lever replaces DB3
2. T is for Tooled reach adjust.
3. Level brakes use new threaded barb and olive with T8 Torx tool.

## LEVER SPARES

No.	Part Number	Description
1	11.5018.004.033	Lever Assembly, Aluminum lever, Split Clamp, Dark Grey (assembled, no hose) - Level T (Tooled)
2	11.5018.022.001	Reservoir Cap Kit (includes reservoir cap, bladder and hardware) - Level Ultimate/TLM/TL/T/ Level

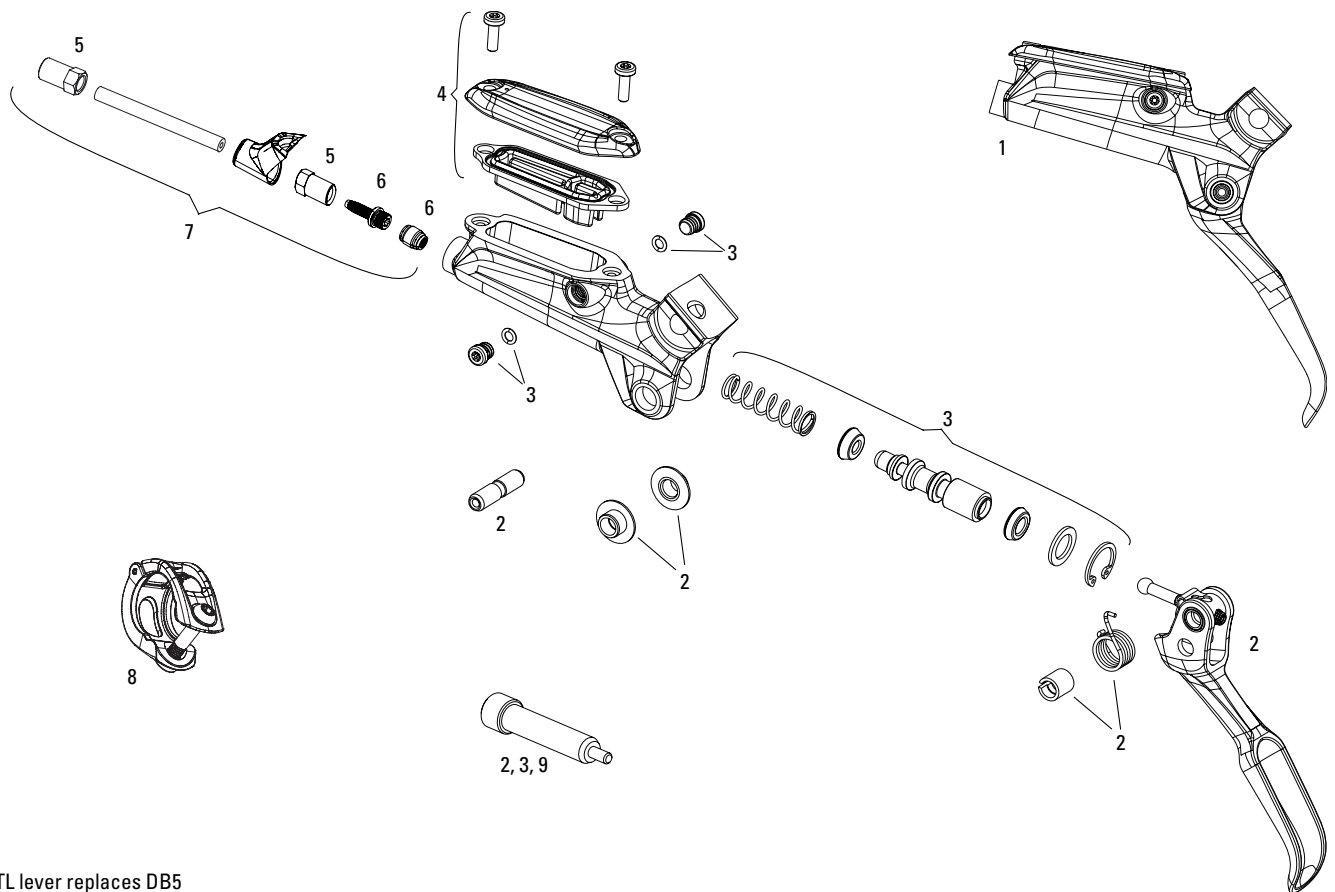
## HYDRAULIC LINES & FITTINGS

3	11.5309.766.000	Hydraulic Disc Brake Compression Hose Nut, Qty 5
4	11.5378.803.002	Hydraulic Disc Brake Hose Fitting Kit (includes 5 threaded hosebarbs, 5 red comp fittings, 1 T8 Torx) Qty 5
4	11.5378.803.003	Hydraulic Disc Brake Hose Fitting Kit (includes 50 threaded hosebarbs, 50 red comp fittings, 1 T8 Torx) Qty 50
5	00.5016.168.010	Hydraulic Line Kit - Code/Code R/Elixir 3/Elixir 1/Juicy 3/DB 3/DB 1/Level T/Level/Guide RE, 2000mm, Black, Qty 1
5	00.5016.168.020	Hydraulic Line Kit - Code/Code R/Elixir 3/Elixir 1/Juicy 3/DB 3/DB 1/Level T/Level/Guide RE, 2000mm, White, Qty 1

## LEVER CLAMPS

6	11.5015.029.030	Lever Split Clamp Kit, Black - Elixir 5/3, DB 3/1/Level T Qty 1 (Steel Hardware)
ns	00.5315.006.000	Matchmaker Pair

# LEVEL TL - HYDRAULIC DISC BRAKE - LEVERS



## Notes:

1. Level TL lever replaces DB5
2. TL is for Tooled and Light
3. Level brakes use new threaded barb and olive with T8 Torx tool.

## LEVER SPARES

No.	Part Number	Description
1	11.5018.004.034	Lever Assembly, Aluminum lever, Hinged Clamp/MMX compatible, Gloss Black (assembled, no hose, includes hinged clamp) -Level TL (Tooled, Light)
2	11.5018.003.018	Lever Blade Aluminum Black (Includes lever blade, pivot pin, and pivot bushings) - Level TL Qty 1
3	11.5018.005.007	Lever Internals Level Ultimate/TLM/TL Qty 1
4	11.5018.022.001	Reservoir Cap Kit (includes reservoir cap, bladder and hardware) - Level Ultimate/TLM/TL/T/ Level

## HYDRAULIC LINES & FITTINGS

5	11.5309.766.000	Hydraulic Disc Brake Compression Hose Nut, Qty 5
6	11.5378.803.002	Hydraulic Disc Brake Hose Fitting Kit (includes 5 threaded hosebarbs, 5 red comp fittings, 1 T8 Torx) Qty 5
6	11.5378.803.003	Hydraulic Disc Brake Hose Fitting Kit (includes 50 threaded hosebarbs, 50 red comp fittings, 1 T8 Torx) Qty 50
7	00.5016.168.130	Hydraulic Line Kit - Guide RSC/Guide RS/Guide R/DB5/Level TL, 2000mm, Stainless, Black, Qty 1
7	00.5016.168.140	Hydraulic Line Kit - Guide RSC/Guide RS/Guide R/DB5/Level TL, 2000mm, Stainless, White, Qty 1

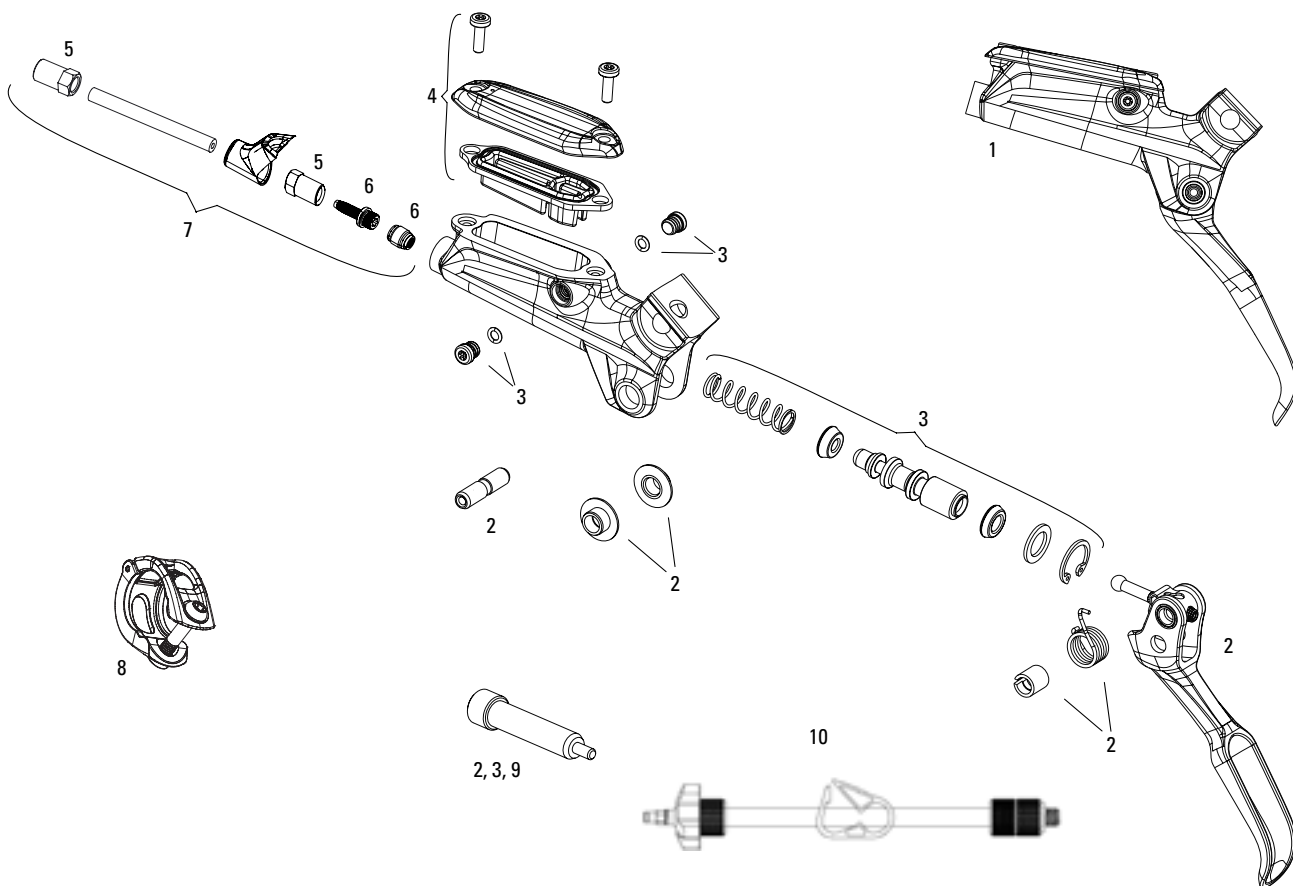
## LEVER CLAMPS

8	11.5315.048.050	MMX Clamp, Silver, Lever (Stainless Steel Bolt T25) - Guide, Level, DB5 Elixir 9/7/CR Mag/X0/ XX, Qty 1
8	11.5315.048.060	MMX Clamp, Silver, Lever (Ti Bolt T25) - Guide, Level, DB5 Elixir 9/7/CR Mag/X0/ XX, Qty 1
8	11.5315.048.070	MMX Clamp, Black, Lever (Stainless Steel Bolt T25) - Guide, Level, DB5 Elixir 9/7/CR Mag/X0/ XX, Qty 1
8	11.5315.048.080	MMX Clamp, Black, Lever (Ti Bolt T25) - Guide, Level, DB5 Elixir 9/7/CR Mag/X0/ XX, Qty 1

## TOOLS

9	00.5318.015.002	SRAM Tool Lever Pivot Tool (for lever removal & lever service) - Level TLM/TL
---	-----------------	---

# LEVEL TLM - HYDRAULIC DISC BRAKE - LEVERS



## Notes:

1. Level TLM lever replaces Elixir X0
2. TLM is for Tooled, Light, and Monoblock (caliper)
3. Level brakes use new threaded barb and olive with T8 Torx tool.

## LEVER SPARES

No.	Part Number	Description
1	11.5018.004.035	Lever Assembly, Aluminum lever, Hinged Clamp/MMX compatible, Dark Grey (assembled, no hose, includes hinged clamp) - Level TLM (Tooled, Light, Monoblock)
2	11.5018.003.017	Lever Blade Aluminum Black (Includes lever blade, pivot pin, and pivot bushings) - Level TLM Qty 1
3	11.5018.005.007	Lever Internals Level Ultimate/TLM/TL Qty 1
4	11.5018.022.001	Reservoir Cap Kit (includes reservoir cap, bladder and hardware) - Level Ultimate/TLM/TL/ Level

## HYDRAULIC LINES & FITTINGS

5	11.5309.766.000	Hydraulic Disc Brake Compression Hose Nut, Qty 5
6	11.5378.803.002	Hydraulic Disc Brake Hose Fitting Kit (includes 5 threaded hosebarbs, 5 red comp fittings, 1 T8 Torx) Qty 5
6	11.5378.803.003	Hydraulic Disc Brake Hose Fitting Kit (includes 50 threaded hosebarbs, 50 red comp fittings, 1 T8 Torx) Qty 50
7	00.5016.168.170	Hydraulic Line Kit - Monoblock, 2000mm, Black, Qty 1 - Level Ultimate, Level TLM

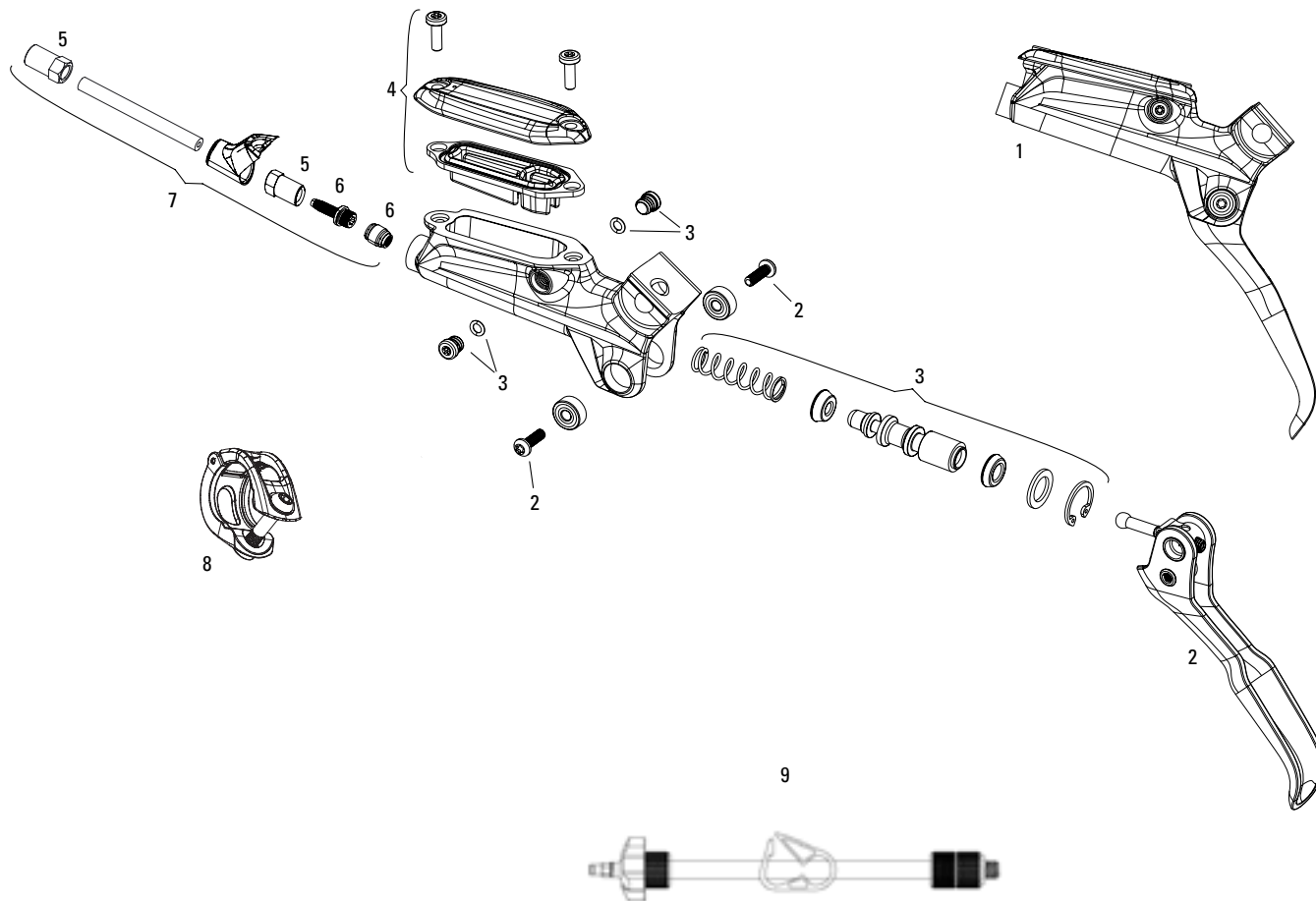
## LEVER CLAMPS

8	11.5315.048.050	MMX Clamp, Silver, Lever (Stainless Steel Bolt T25) - Guide, Level, DB5 Elixir 9/7/CR Mag/X0/ XX, Qty 1
8	11.5315.048.060	MMX Clamp, Silver, Lever (Ti Bolt T25) - Guide, Level, DB5 Elixir 9/7/CR Mag/X0/ XX, Qty 1
8	11.5315.048.070	MMX Clamp, Black, Lever (Stainless Steel Bolt T25) - Guide, Level, DB5 Elixir 9/7/CR Mag/X0/ XX, Qty 1
8	11.5315.048.080	MMX Clamp, Black, Lever (Ti Bolt T25) - Guide, Level, DB5 Elixir 9/7/CR Mag/X0/ XX, Qty 1

## TOOLS

9	00.5318.015.002	SRAM Tool Lever Pivot Tool (for lever removal & lever service) - Level TLM/TL
10	00.5318.015.001	SRAM Tool Bleeding Edge (works with Avid/SRAM Pro Bleed Kits) - S4/Monoblock Calipers, Guide Ultimate/RSC (B1)/RS (B1)/R (B1)/Level Ult/Level TLM

# LEVEL ULTIMATE - HYDRAULIC DISC BRAKE - LEVERS



**Notes:**

- 1. Level Ultimate lever replaces Elixir XX
- 2. Level brakes use new threaded barb and olive with T8 Torx tool.

## LEVER SPARES

No.	Part Number	Description
1	11.5018.004.036	Lever Assembly, Aluminum lever, Hinged Clamp/MMX compatible, Black Ano (assembled, no hose, includes hinged clamp) - Level Ultimate
2	11.5018.003.016	Lever Blade Carbon Black (Includes lever blade assembly, screws) - Level Ultimate Qty 1
3	11.5018.005.007	Lever Internals Level Ultimate/TLM/TL Qty 1
4	11.5018.022.001	Reservoir Cap Kit (includes reservoir cap, bladder and hardware) - Level Ultimate/TLM/TL/T/ Level

## HYDRAULIC LINES & FITTINGS

5	11.5309.766.000	Hydraulic Disc Brake Compression Hose Nut, Qty 5
6	11.5378.803.002	Hydraulic Disc Brake Hose Fitting Kit (includes 5 threaded hosebarbs, 5 red comp fittings, 1 T8 Torx) Qty 5
6	11.5378.803.003	Hydraulic Disc Brake Hose Fitting Kit (includes 50 threaded hosebarbs, 50 red comp fittings, 1 T8 Torx) Qty 50
7	00.5016.168.170	Hydraulic Line Kit - Monoblock, 2000mm, Black, Qty 1 - Level Ultimate, Level TLM

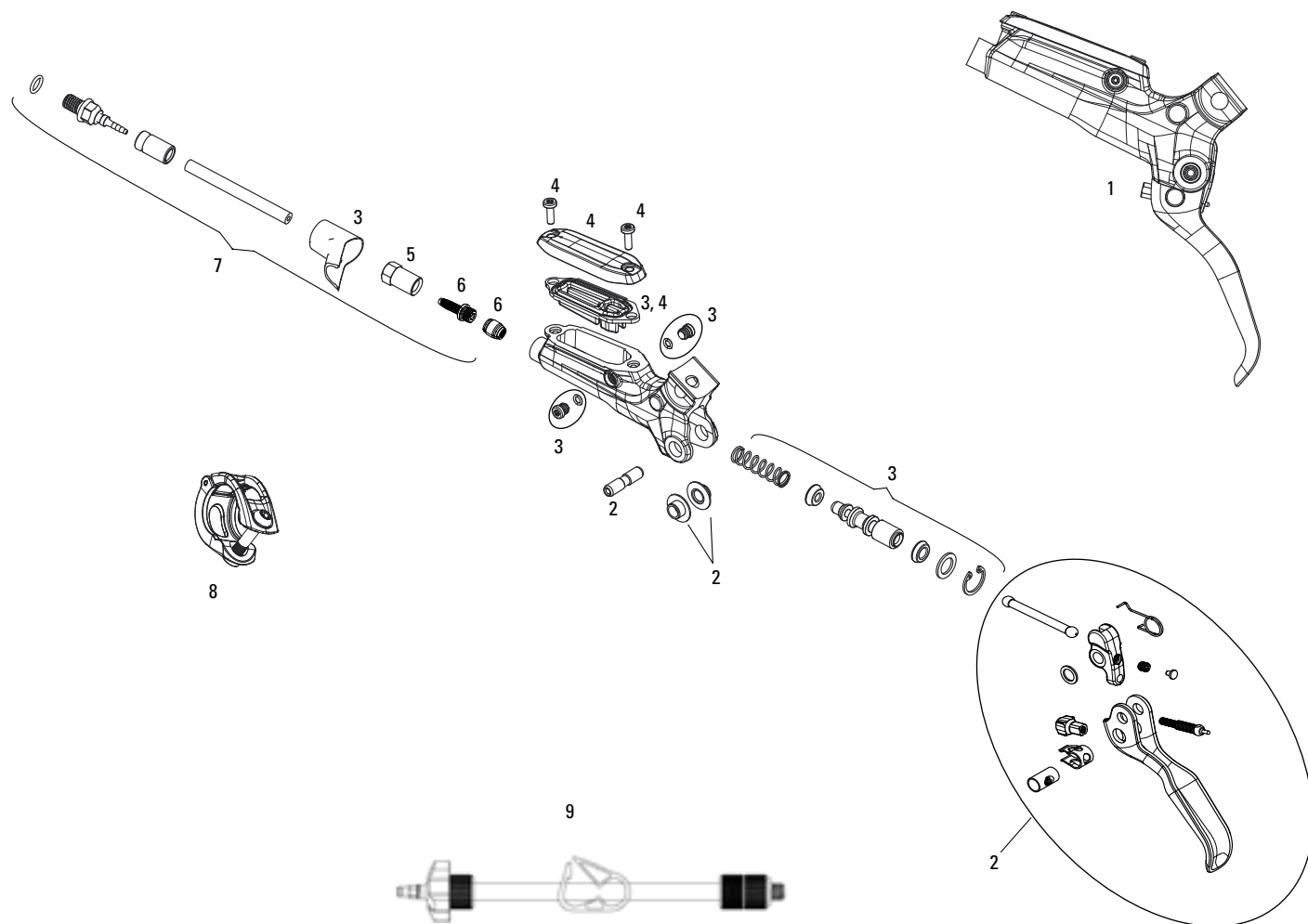
## LEVER CLAMPS

8	11.5315.048.050	MMX Clamp, Silver, Lever (Stainless Steel Bolt T25) - Guide, Level, DB5 Elixir 9/7/CR Mag/X0/ XX, Qty 1
8	11.5315.048.060	MMX Clamp, Silver, Lever (Ti Bolt T25) - Guide, Level, DB5 Elixir 9/7/CR Mag/X0/ XX, Qty 1
8	11.5315.048.070	MMX Clamp, Black, Lever (Stainless Steel Bolt T25) - Guide, Level, DB5 Elixir 9/7/CR Mag/X0/ XX, Qty 1
8	11.5315.048.080	MMX Clamp, Black, Lever (Ti Bolt T25) - Guide, Level, DB5 Elixir 9/7/CR Mag/X0/ XX, Qty 1

## TOOLS

9	00.5318.015.001	SRAM Tool Bleeding Edge (works with Avid/SRAM Pro Bleed Kits) -S4/Monoblock Calipers, Guide Ultimate/RSC (B1)/RS (B1)/R (B1)/Level Ult/Level TLM
---	-----------------	--

# GUIDE R - HYDRAULIC DISC BRAKE - LEVERS A1-B1 (2015-2017)



## Notes:

1. B1 (2017) generation was upgraded to the S4 caliper and uses S4 caliper kits & S4 Hydraulic Line Kit.

## LEVER SPARES

No.	Part Number	Description
1	11.5018.004.024	Lever Assembly, Aluminum lever, Hinged Clamp/MMX compatible, Black (assembled, no hose, includes hinged clamp) - Guide R
1	11.5018.004.025	Lever Assembly, Aluminum lever, Hinged Clamp/MMX compatible, Grey (assembled, no hose, includes hinged clamp) - Guide R
2	11.5018.003.012	Lever Blade Aluminum V2 Black - Guide R/RE Qty 1
3	11.5018.005.003	Lever Internals Guide R/RE/DB5 Qty 1
4	11.5018.022.000	Reservoir Cap Kit (includes reservoir cap, bladder and hardware) - Guide R/RE/RS/RSC/Ultimate/DB5

## HYDRAULIC FITTINGS

5	11.5309.766.000	Hydraulic Disc Brake Compression Hose Nut, Qty 5
5	11.5378.803.002	Hydraulic Disc Brake Hose Fitting Kit (includes 5 threaded hosebarbs, 5 red comp fittings, 1 T8 Torx) Qty 5
6	11.5378.803.003	Hydraulic Disc Brake Hose Fitting Kit (includes 50 threaded hosebarbs, 50 red comp fittings, 1 T8 Torx) Qty 50

## HYDRAULIC LINES A1 (2015-2016)

7	00.5016.168.130	Hydraulic Line Kit - Guide RSC/Guide RS/Guide R/DB5/Level TL, 2000mm, Stainless, Black, Qty 1
7	00.5016.168.140	Hydraulic Line Kit - Guide RSC/Guide RS/Guide R/DB5/Level TL, 2000mm, Stainless, White, Qty 1

## HYDRAULIC LINES B1 (2017) S4 CALIPER

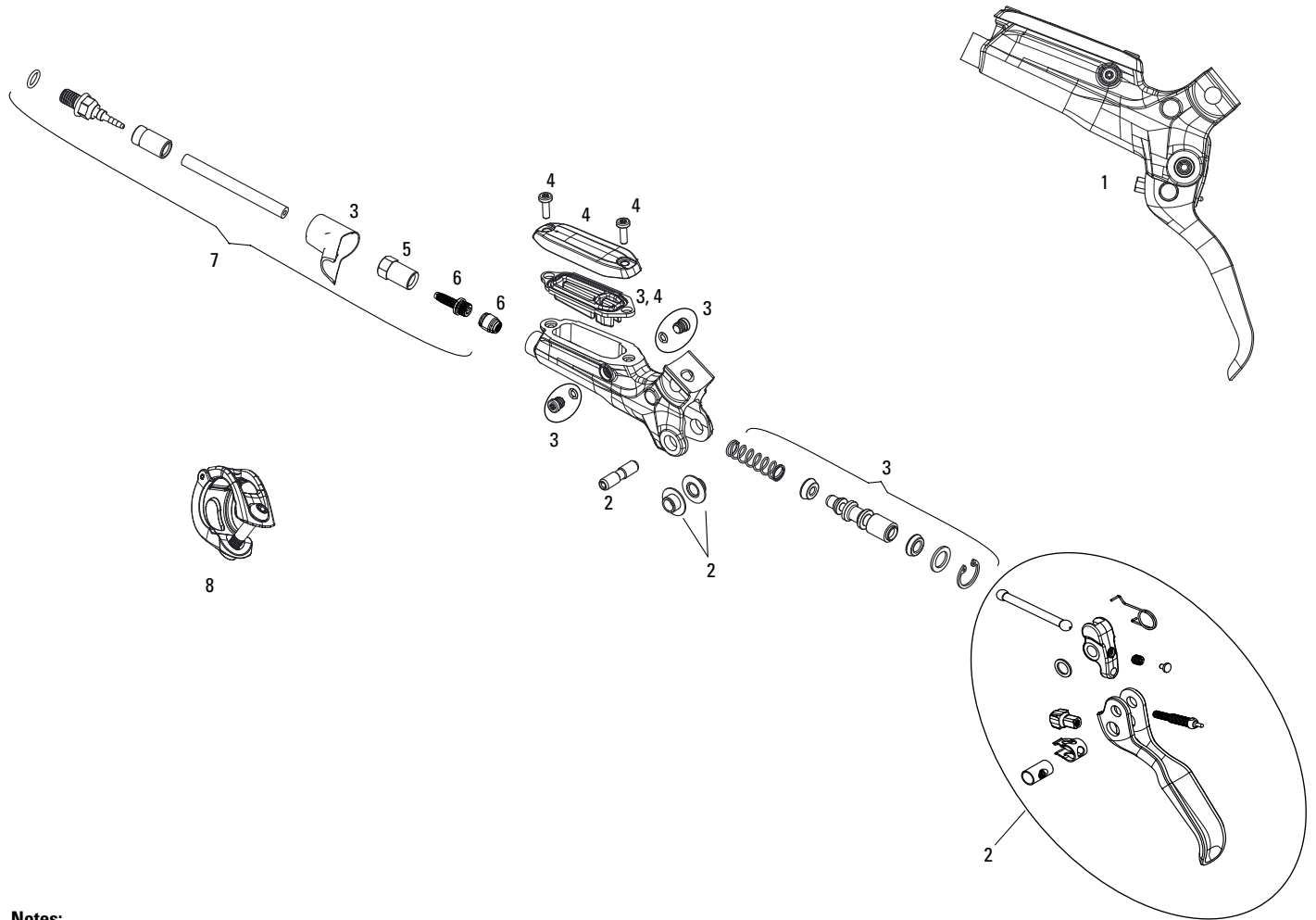
7	00.5016.168.150	Hydraulic Line Kit - S4 Caliper - Guide Ultimate/Guide RSC (B1)/Guide RS(B1)/Guide R (B1), 2000mm, Black, Qty 1
7	00.5016.168.160	Hydraulic Line Kit - S4 Caliper - Guide Ultimate/Guide RSC (B1)/Guide RS(B1)/Guide R (B1), 2000mm, White, Qty 1

## LEVER CLAMPS

8	11.5315.048.050	MMX Clamp, Silver, Lever (Stainless Steel Bolt T25) - Guide, Level, DB5 Elixir 9/7/CR Mag/X0/XX, Qty 1
8	11.5315.048.060	MMX Clamp, Silver, Lever (Ti Bolt T25) - Guide, Level, DB5 Elixir 9/7/CR Mag/X0/XX, Qty 1
8	11.5315.048.070	MMX Clamp, Black, Lever (Stainless Steel Bolt T25) - Guide, Level, DB5 Elixir 9/7/CR Mag/X0/XX, Qty 1
8	11.5315.048.080	MMX Clamp, Black, Lever (Ti Bolt T25) - Guide, Level, DB5 Elixir 9/7/CR Mag/X0/XX, Qty 1

## TOOLS

9	00.5318.015.001	SRAM Tool Bleeding Edge (works with Avid/SRAM Pro Bleed Kits) -S4/Monoblock Calipers, Guide Ultimate/RSC (B1)/RS (B1)/R (B1)/Level Ult/Level TLM
---	-----------------	--



**Notes:**

1. Guide RE brakes use Guide R styled Levers with Code-styled calipers.

**LEVER SPARES**

No.	Part Number	Description
1	11.5018.004.037	Lever Assembly, Aluminum lever, Hinged Clamp/MMX compatible, Black (assembled, no hose) - Guide RE
2	11.5018.003.012	Lever Blade Aluminum V2 Black - Guide R/RE Qty 1
3	11.5018.005.003	Lever Internals Guide R/RE/DB5 Qty 1
4	11.5018.022.000	Reservoir Cap Kit (includes reservoir cap, bladder and hardware) - Guide R/RE/RS/RSC/Ultimate/DB5

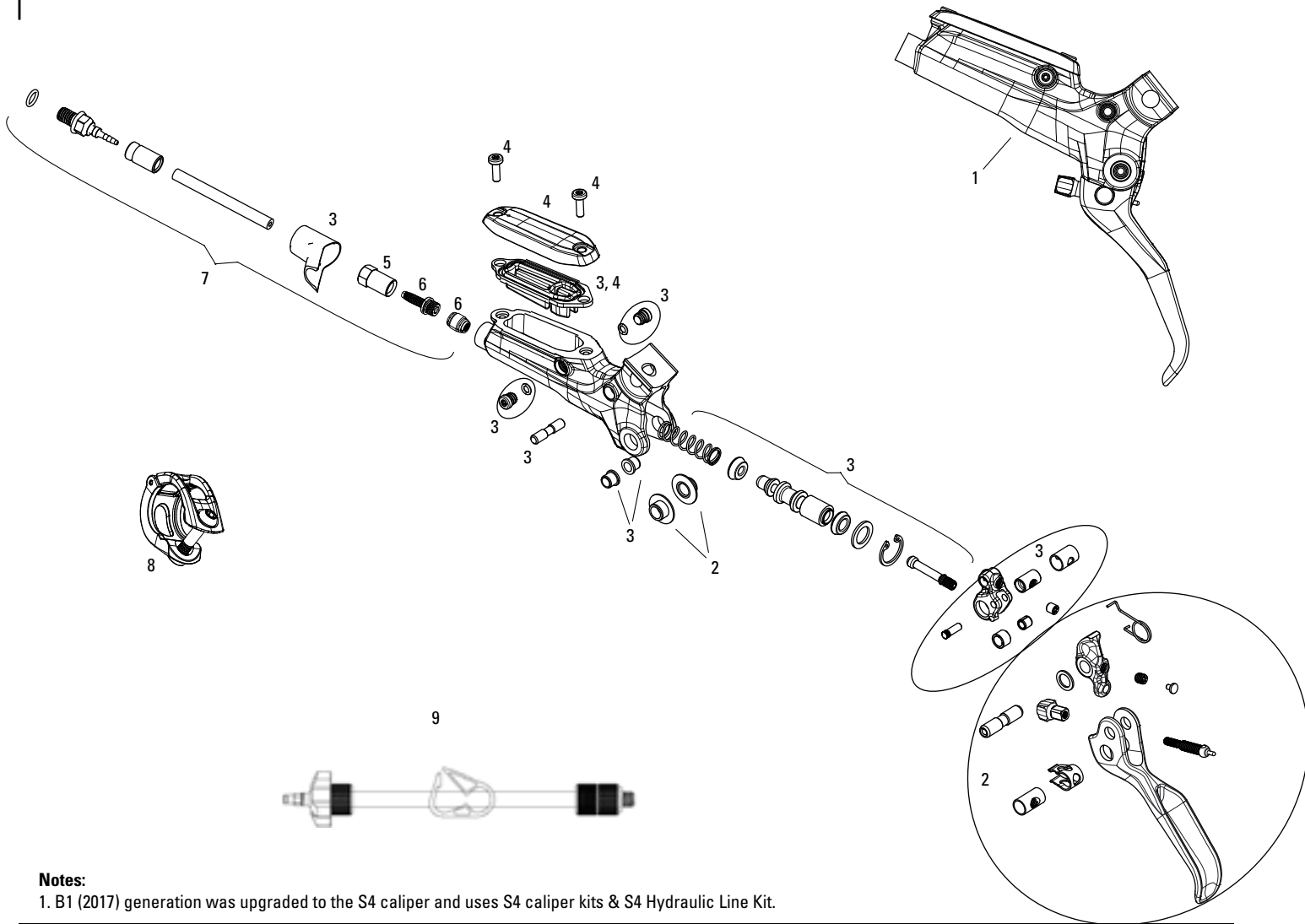
**HYDRAULIC LINES & FITTINGS**

5	11.5309.766.000	Hydraulic Disc Brake Compression Hose Nut, Qty 5
6	11.5378.803.002	Hydraulic Disc Brake Hose Fitting Kit (includes 5 threaded hosebarbs, 5 red comp fittings, 1 T8 Torx) Qty 5
6	11.5378.803.003	Hydraulic Disc Brake Hose Fitting Kit (includes 50 threaded hosebarbs, 50 red comp fittings, 1 T8 Torx) Qty 50
7	00.5016.168.010	Hydraulic Line Kit - Code/Code R/Elixir 3/Elixir 1/Juicy 3/DB 3/DB 1/Level T/Level/Guide RE, 2000mm, Black, Qty 1
7	00.5016.168.020	Hydraulic Line Kit - Code/Code R/Elixir 3/Elixir 1/Juicy 3/DB 3/DB 1/Level T/Level/Guide RE, 2000mm, White, Qty 1

**LEVER CLAMPS**

8	11.5315.048.050	MMX Clamp, Silver, Lever (Stainless Steel Bolt T25) - Guide, Level, DB5 Elixir 9/7/CR Mag/X0/ XX, Qty 1
8	11.5315.048.060	MMX Clamp, Silver, Lever (Ti Bolt T25) - Guide, Level, DB5 Elixir 9/7/CR Mag/X0/ XX, Qty 1
8	11.5315.048.070	MMX Clamp, Black, Lever (Stainless Steel Bolt T25) - Guide, Level, DB5 Elixir 9/7/CR Mag/X0/ XX, Qty 1
8	11.5315.048.080	MMX Clamp, Black, Lever (Ti Bolt T25) - Guide, Level, DB5 Elixir 9/7/CR Mag/X0/ XX, Qty 1

# GUIDE RS - HYDRAULIC DISC BRAKE - LEVERS A1-B1 (2015-2017)



**Notes:**

1. B1 (2017) generation was upgraded to the S4 caliper and uses S4 caliper kits & S4 Hydraulic Line Kit.

## LEVER SPARES

No.	Part Number	Description
1	11.5018.004.026	Lever Assembly, Aluminum lever, Hinged Clamp/MMX compatible, Black (assembled, no hose, includes hinged clamp) - Guide RS
1	11.5018.004.027	Lever Assembly, Aluminum lever, Hinged Clamp/MMX compatible, Grey (assembled, no hose, includes hinged clamp) - Guide RS
2	11.5018.003.013	Lever Blade Aluminum V2 Black - Guide RS Qty 1
3	11.5018.005.004	Lever Internals Guide RS Qty 1
4	11.5018.022.000	Reservoir Cap Kit (includes reservoir cap, bladder and hardware) - Guide R/RE/RS/RSC/Ultimate/DB5

## HYDRAULIC FITTINGS

5	11.5309.766.000	Hydraulic Disc Brake Compression Hose Nut, Qty 5
6	11.5378.803.002	Hydraulic Disc Brake Hose Fitting Kit (includes 5 threaded hosebarbs, 5 red comp fittings, 1 T8 Torx) Qty 5
6	11.5378.803.003	Hydraulic Disc Brake Hose Fitting Kit (includes 50 threaded hosebarbs, 50 red comp fittings, 1 T8 Torx) Qty 50

## HYDRAULIC LINES A1 (2015-2016)

7	00.5016.168.130	Hydraulic Line Kit - Guide RSC/Guide RS/Guide R/DB5/Level TL, 2000mm, Stainless, Black, Qty 1
7	00.5016.168.140	Hydraulic Line Kit - Guide RSC/Guide RS/Guide R/DB5/Level TL, 2000mm, Stainless, White, Qty 1

## HYDRAULIC LINES B1 (2017) S4 CALIPER

7	00.5016.168.150	Hydraulic Line Kit - S4 Caliper - Guide Ultimate/Guide RSC (B1)/Guide RS(B1)/Guide R (B1), 2000mm, Black, Qty 1
7	00.5016.168.160	Hydraulic Line Kit - S4 Caliper - Guide Ultimate/Guide RSC (B1)/Guide RS(B1)/Guide R (B1), 2000mm, White, Qty 1

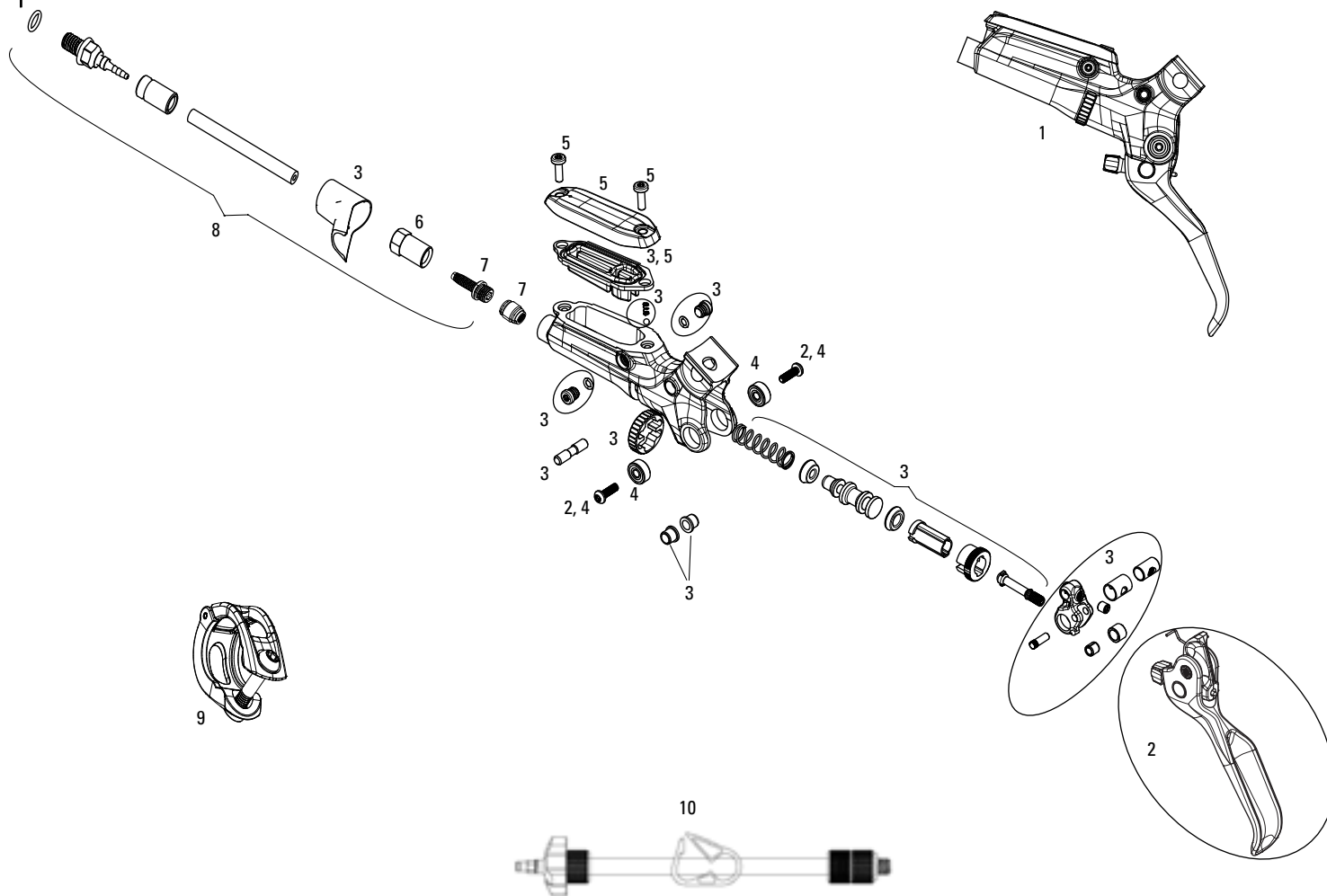
## LEVER CLAMPS

8	11.5315.048.050	MMX Clamp, Silver, Lever (Stainless Steel Bolt T25) - Guide, Level, DB5 Elixir 9/7/CR Mag/X0/ XX, Qty 1
8	11.5315.048.060	MMX Clamp, Silver, Lever (Ti Bolt T25) - Guide, Level, DB5 Elixir 9/7/CR Mag/X0/ XX, Qty 1
8	11.5315.048.070	MMX Clamp, Black, Lever (Stainless Steel Bolt T25) - Guide, Level, DB5 Elixir 9/7/CR Mag/X0/ XX, Qty 1
8	11.5315.048.080	MMX Clamp, Black, Lever (Ti Bolt T25) - Guide, Level, DB5 Elixir 9/7/CR Mag/X0/ XX, Qty 1

## TOOLS

9	00.5318.015.001	SRAM Tool Bleeding Edge (works with Avid/SRAM Pro Bleed Kits) - S4/Monoblock Calipers, Guide Ultimate/RSC (B1)/RS (B1)/R (B1)/Level Ult/Level TLM
---	-----------------	---

# GUIDE RSC - HYDRAULIC DISC BRAKE - LEVERS A1-B1 (2015-2017)



## Notes:

1. B1 (2017) generation was upgraded to the S4 caliper and uses S4 caliper kits & S4 Hydraulic Line Kit.

## LEVER SPARES

No. Part Number Description

1	11.5018.004.028	Lever Assembly, Aluminum lever, Hinged Clamp/MMX compatible, Black Ano (assembled, no hose, includes hinged clamp) - Guide RSC
1	11.5018.004.029	Lever Assembly, Aluminum lever, Hinged Clamp/MMX compatible, Silver Ano (assembled, no hose, includes hinged clamp) - Guide RSC
2	11.5018.003.014	Lever Blade Aluminum Black - Guide RSC Qty 1
3	11.5018.005.005	Lever Internals Guide - RSC/Ultimate Qty 1
4	11.5018.023.000	Lever Bearing Kit (includes two 1/8x3/8x5/32 bearings and hardware) - Guide RSC/Ultimate/X0 Trail
5	11.5018.022.000	Reservoir Cap Kit (includes reservoir cap, bladder and hardware) - Guide R/RE/RS/RSC/Ultimate/DB5

## HYDRAULIC FITTINGS

6	11.5309.766.000	Hydraulic Disc Brake Compression Hose Nut, Qty 5
7	11.5378.803.002	Hydraulic Disc Brake Hose Fitting Kit (includes 5 threaded hosebarbs, 5 red comp fittings, 1 T8 Torx) Qty 5
7	11.5378.803.003	Hydraulic Disc Brake Hose Fitting Kit (includes 50 threaded hosebarbs, 50 red comp fittings, 1 T8 Torx) Qty 50

## HYDRAULIC LINES A1 (2015-2016)

8	00.5016.168.130	Hydraulic Line Kit - Guide RSC/Guide RS/Guide R/DB5/Level TL, 2000mm, Stainless, Black, Qty 1
8	00.5016.168.140	Hydraulic Line Kit - Guide RSC/Guide RS/Guide R/DB5/Level TL, 2000mm, Stainless, White, Qty 1

## HYDRAULIC LINES B1 (2017) S4 CALIPER

8	00.5016.168.150	Hydraulic Line Kit - S4 Caliper - Guide Ultimate/Guide RSC (B1)/Guide RS(B1)/Guide R (B1), 2000mm, Black, Qty 1
8	00.5016.168.160	Hydraulic Line Kit - S4 Caliper - Guide Ultimate/Guide RSC (B1)/Guide RS(B1)/Guide R (B1), 2000mm, White, Qty 1

## LEVER CLAMPS

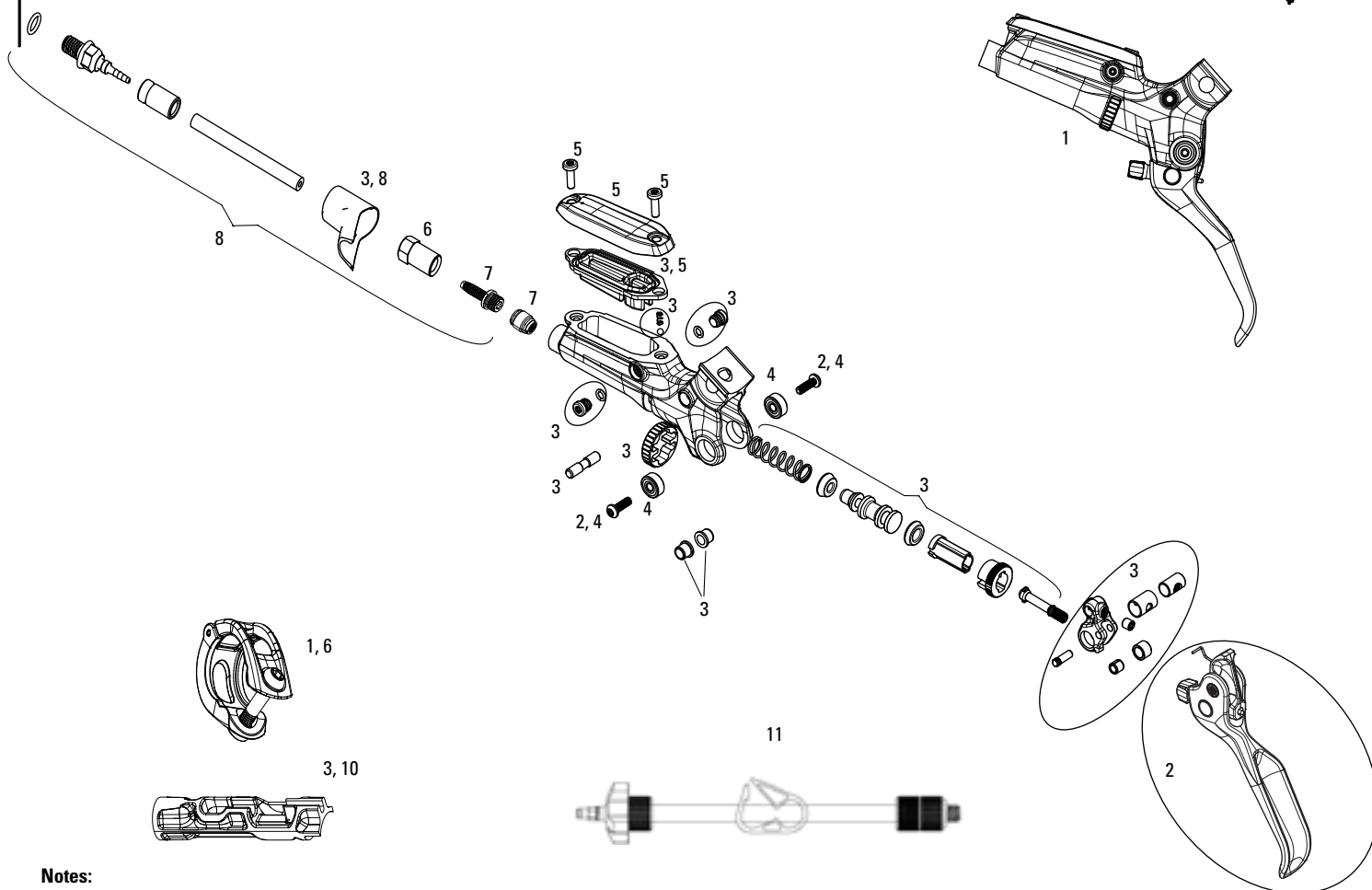
9	11.5315.048.050	MMX Clamp, Silver, Lever (Stainless Steel Bolt T25) - Guide, Level, DB5 Elixir 9/7/CR Mag/X0/ XX, Qty 1
9	11.5315.048.060	MMX Clamp, Silver, Lever (Ti Bolt T25) - Guide, Level, DB5 Elixir 9/7/CR Mag/X0/ XX, Qty 1
9	11.5315.048.070	MMX Clamp, Black, Lever (Stainless Steel Bolt T25) - Guide, Level, DB5 Elixir 9/7/CR Mag/X0/ XX, Qty 1
9	11.5315.048.080	MMX Clamp, Black, Lever (Ti Bolt T25) - Guide, Level, DB5 Elixir 9/7/CR Mag/X0/ XX, Qty 1

## TOOLS

10	00.5318.015.001	SRAM Tool Bleeding Edge (works with Avid/SRAM Pro Bleed Kits) -S4/Monoblock Calipers, Guide Ultimate/RSC (B1)/RS (B1)/R (B1)/Level Ult/Level TLM
----	-----------------	--



# GUIDE ULTIMATE - HYDRAULIC DISC BRAKE - LEVERS A1(2015-2017)



## Notes:

1. Lever Internals kit is pre-assembled
2. SRAM Tool Bleeding Edge needed to bleed Guide Ultimate brakes (ships in current SRAM Bleed kits)
3. SRAM Guide Lever Internals Assembly Tool needed to service lever internals
4. Aftermarket Guide Ultimate rear brakes come with SRAM Standard Brake Bleed Kit

## LEVER SPARES

No.	Part Number	Description
1	11.5018.004.030	Lever Assembly, Carbon lever, Hinged Clamp/MMX compatible, Artic Grey (assembled, no hose) - Guide Ultimate
1	11.5018.004.031	Lever Assembly, Carbon lever, Hinged Clamp/MMX compatible, Black Ano (assembled, no hose) - Guide Ultimate
2	11.5018.003.015	Lever Blade Carbon V2 Black - Guide Ultimate Qty 2
3	11.5018.005.005	Lever Internals Guide - RSC/Ultimate Qty 1
4	11.5018.023.000	Lever Bearing Kit (includes two 1/8x3/8x5/32 bearings and hardware) - Guide RSC/Ultimate/X0 Trail
5	11.5018.022.000	Reservoir Cap Kit (includes reservoir cap, bladder and hardware) - Guide R/RE/RS/RSC/Ultimate/DB5

## HYDRAULIC LINES & FITTINGS

6	11.5309.766.000	Hydraulic Disc Brake Compression Hose Nut, Qty 5
7	11.5378.803.002	Hydraulic Disc Brake Hose Fitting Kit (includes 5 threaded hosebarbs, 5 red comp fittings, 1 T8 Torx) Qty 5
7	11.5378.803.003	Hydraulic Disc Brake Hose Fitting Kit (includes 50 threaded hosebarbs, 50 red comp fittings, 1 T8 Torx) Qty 50
8	00.5016.168.150	Hydraulic Line Kit - S4 Caliper - Guide Ultimate/Guide RSC (B1)/Guide RS(B1)/Guide R (B1), 2000mm, Black, Qty 1
8	00.5016.168.160	Hydraulic Line Kit - S4 Caliper - Guide Ultimate/Guide RSC (B1)/Guide RS(B1)/Guide R (B1), 2000mm, White, Qty 1

## LEVER CLAMPS

9	11.5315.048.050	MMX Clamp, Silver, Lever (Stainless Steel Bolt T25) - Guide, Level, DB5 Elixir 9/7/CR Mag/X0/XX, Qty 1
9	11.5315.048.060	MMX Clamp, Silver, Lever (Ti Bolt T25) - Guide, Level, DB5 Elixir 9/7/CR Mag/X0/XX, Qty 1
9	11.5315.048.070	MMX Clamp, Black, Lever (Stainless Steel Bolt T25) - Guide, Level, DB5 Elixir 9/7/CR Mag/X0/XX, Qty 1
9	11.5315.048.080	MMX Clamp, Black, Lever (Ti Bolt T25) - Guide, Level, DB5 Elixir 9/7/CR Mag/X0/XX, Qty 1

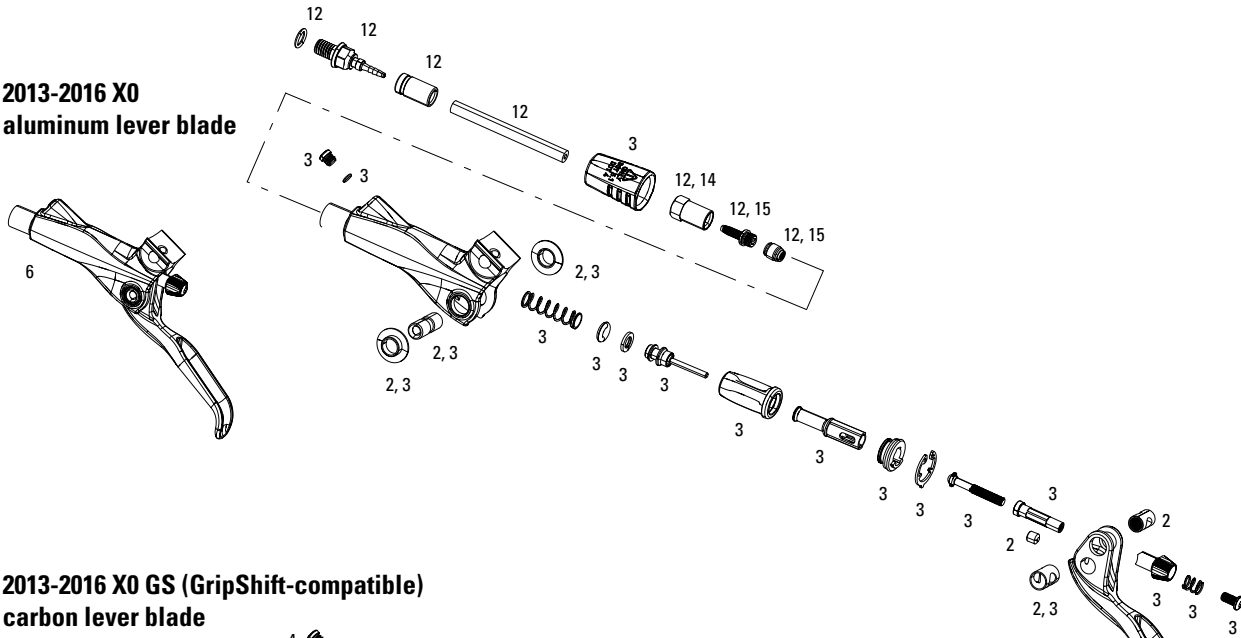
## TOOLS

10	00.5318.015.000	SRAM Guide Lever Internals Assembly Tool (for setting pushrod distance and installing internals)
11	00.5318.015.001	SRAM Tool Bleeding Edge (works with Avid/SRAM Pro Bleed Kits) - S4/Monoblock Calipers, Guide Ultimate/RSC (B1)/RS (B1)/R (B1)/Level Ult/Level TLM

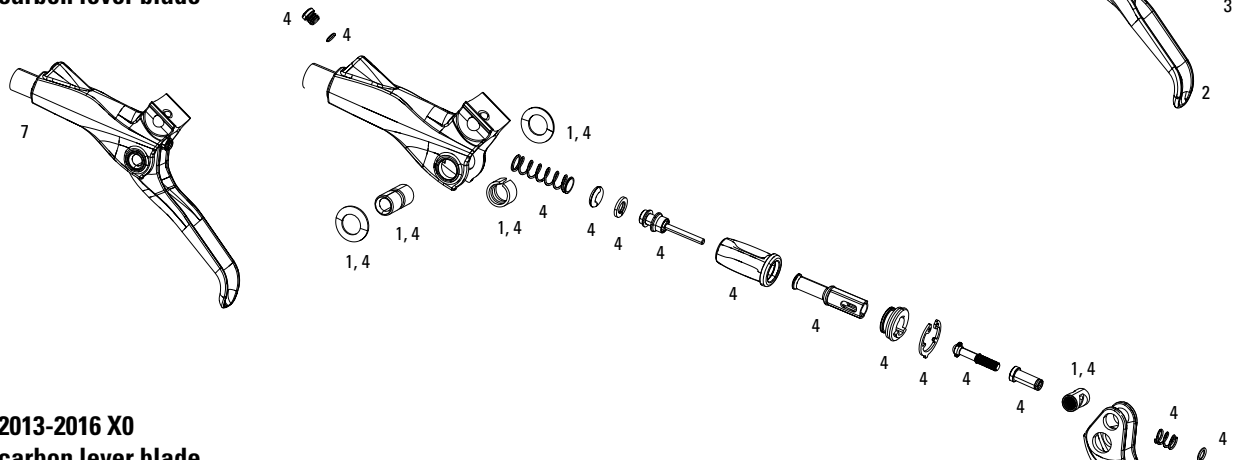
# X0 (2013-2016) - HYDRAULIC DISC BRAKE - LEVERS



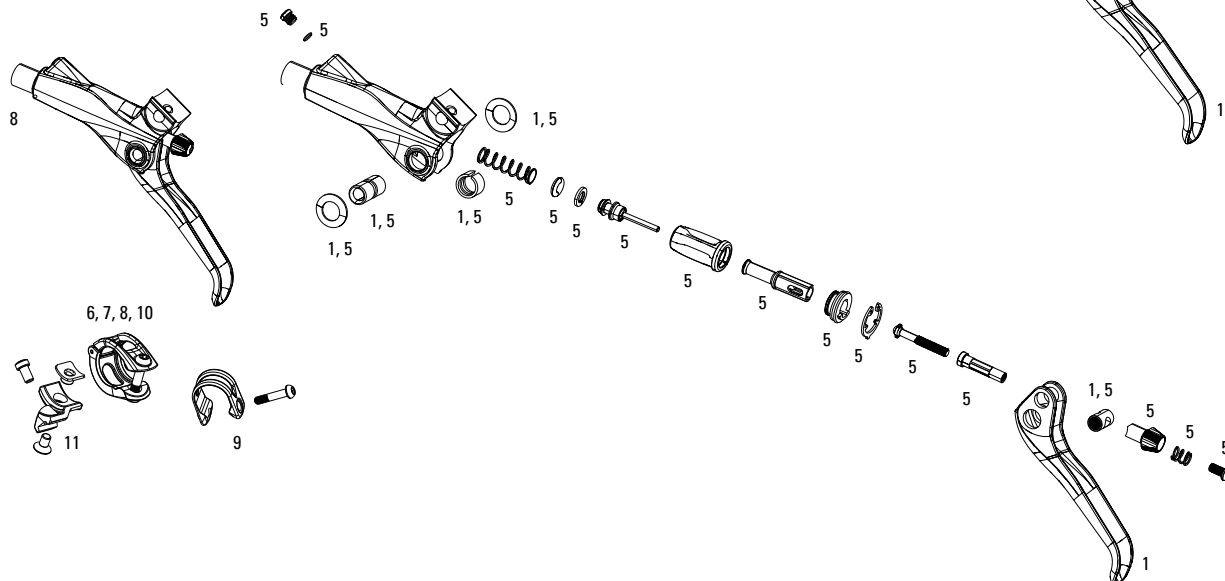
## 2013-2016 X0 aluminum lever blade



## 2013-2016 X0 GS (GripShift-compatible) carbon lever blade



## 2013-2016 X0 carbon lever blade



**Notes:**

1. Lever Internals kit is pre-assembled



## LEVER SPARES

No.	Part Number	Description
1	11.5018.003.004	Lever Blade Carbon - X0 Qty 1 B1 (2012-2016)
2	11.5018.003.005	Lever Blade Aluminum Black - X0 Black Qty 1 B1 (2012-2016)
3	11.5015.064.050	Lever Internals/Service Kit, Aluminum Blade - Elixir 9/ Elixir 7/ Elixir 7 Trail Elixir Code-R/X0 2013-2016
4	11.5015.064.070	Lever Internals/Service kit Carbon Qty 1 - 2012-2016 XX/XXWC/2013-2016 X0 GS
5	11.5015.064.060	Lever Internals/Service Kit, Carbon Blade -Elixir 9/Elixir 7/Elixir 7 Trail/Code-R /X0 2013-2016
6	11.5018.004.010	Lever Assy X0 Aluminum w/External Reach Adjuster, Hinged Clamp/MMX compatible, Black/Red, Aluminum Lever (assembled, nohose, includes hinged clamp) 2013-2016
6	11.5018.004.011	Lever Assy X0 Aluminum w/External Reach Adjuster, Hinged Clamp/MMX compatible, Black/Black, Aluminum Lever (assembled, no hose, includes hinged clamp) 2013-2016
6	11.5018.004.012	Lever Assy X0 Aluminum w/External Reach Adjuster, Hinged Clamp/MMX compatible, Polished Silver, Aluminum Lever (assembled, no hose, includes hinged clamp) 2013-2016
7	11.5018.004.007	Lever Assy X0 GS Carbon (tooled reach adjust), Hinged Clamp/MMX compatible, Black/Red, Carbon Lever (assembled, no hose,includes hinged clamp) 2013-2016
7	11.5018.004.008	Lever Assy X0 GS Carbon (tooled reach adjust), Hinged Clamp/MMX compatible, Black/Black, Carbon Lever (assembled, no hose, includes hinged clamp) 2013-2016
7	11.5018.004.009	Lever Assy X0 GS Carbon (tooled reach adjust), Hinged Clamp/MMX compatible, Polished Silver, Carbon Lever (assembled, nohose, includes hinged clamp) 2013-2016
8	11.5018.004.004	Lever Assy X0 Carbon w/External Reach Adjuster, Hinged Clamp/MMX compatible, Black/Red, Carbon Lever (assembled, no hose, includes hinged clamp) 2013-2016
8	11.5018.004.005	Lever Assy X0 Carbon w/External Reach Adjuster, Hinged Clamp/MMX compatible, Black/Black, Carbon Lever (assembled, no hose, includes hinged clamp) 2013-2016
8	11.5018.004.006	Lever Assy X0 Carbon w/External Reach Adjuster, Hinged Clamp/MMX compatible, Polished Silver, Carbon Lever (assembled, no hose, includes hinged clamp) 2013-2016

## HYDRAULIC LINES & FITTINGS

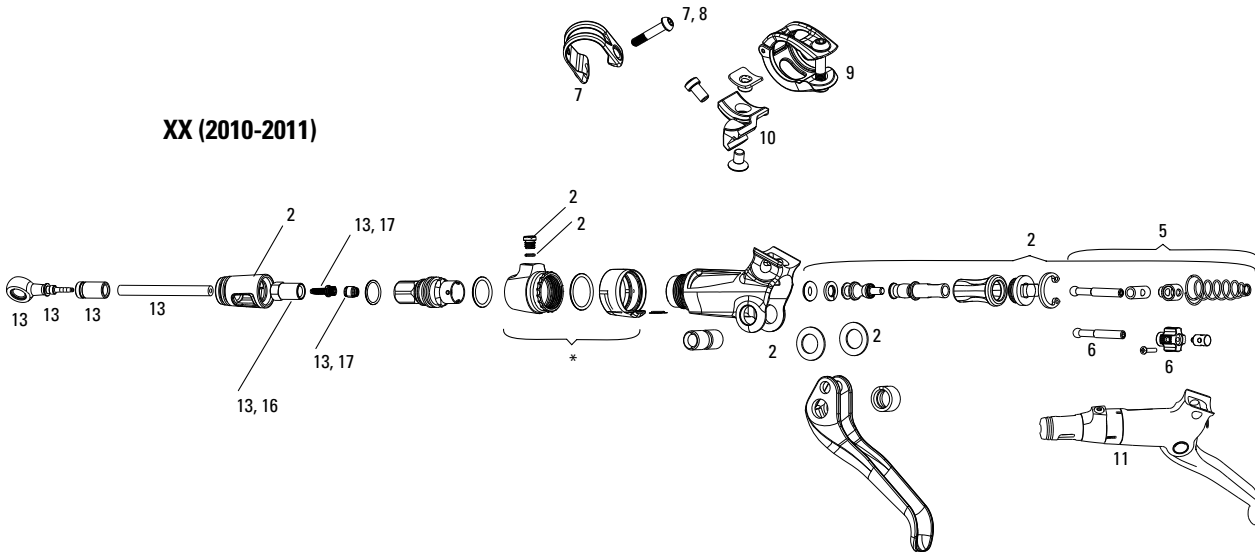
12	00.5016.168.050	Hydraulic Line Kit - Elixir 5, Elixir 7, Elixir 9, Elixir R,Elixir CR, Elixir X0, Elixir CR Mag, 2000mm, Stainless, Black, Qty 1
12	00.5016.168.060	Hydraulic Line Kit - Elixir 5, Elixir 7, Elixir 9, Elixir R,Elixir CR, Elixir X0, Elixir CR Mag, 2000mm, Stainless, White, Qty 1
14	11.5309.766.000	Hydraulic Disc Brake Compression Hose Nut, Qty 5
15	11.5378.803.002	Hydraulic Disc Brake Hose Fitting Kit (includes 5 threaded hosebarbs, 5 red comp fittings, 1 T8 Torx) Qty 5
15	11.5378.803.003	Hydraulic Disc Brake Hose Fitting Kit (includes 50 threaded hosebarbs, 50 red comp fittings, 1 T8 Torx) Qty 50

## LEVER CLAMPS

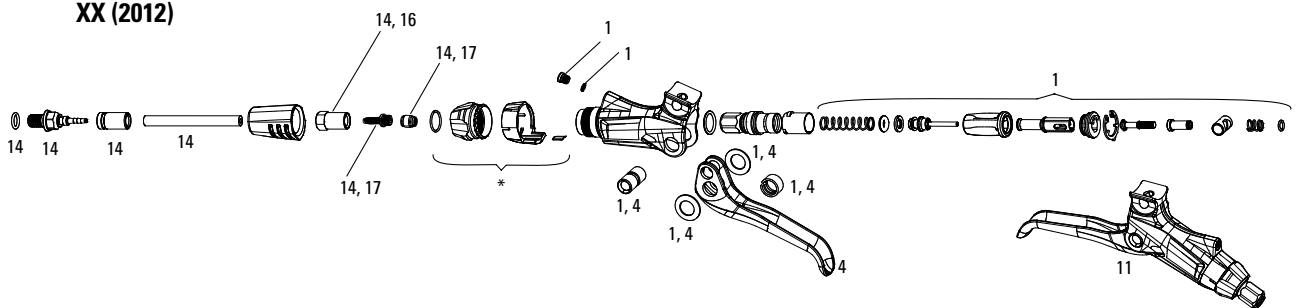
9	11.5315.048.010	Discrete Bar Clamp, Black, Lever (Stainless Steel Bolt T25)Elixir 9/7/CR Mag/X0/ XX, Qty 1
9	11.5315.048.020	Discrete Bar Clamp, Silver, Lever (Ti Bolt T25) - Elixir 9/7/CR Mag/X0/ XX, Qty 1
9	11.5315.048.090	Discrete Bar Clamp, Black, Lever (Ti Bolt T25) - XX World Cup, Qty 1
9	11.5315.048.100	Discrete Bar Clamp, Black, Lever (Ti Bolt T25) - XX World Cup, Qty 2
10	11.5315.048.050	MMX Clamp, Silver, Lever (Stainless Steel Bolt T25) - Guide, Level, DB5 Elixir 9/7/CR Mag/X0/ XX, Qty 1
10	11.5315.048.060	MMX Clamp, Silver, Lever (Ti Bolt T25) - Guide, Level, DB5 Elixir 9/7/CR Mag/X0/ XX, Qty 1
10	11.5315.048.070	MMX Clamp, Black, Lever (Stainless Steel Bolt T25) - Guide, Level, DB5 Elixir 9/7/CR Mag/X0/ XX, Qty 1
10	11.5315.048.080	MMX Clamp, Black, Lever (Ti Bolt T25) - Guide, Level, DB5 Elixir 9/7/CR Mag/X0/ XX, Qty 1
11	11.5315.049.010	MMX/Shifter Mounting Bracket, Left - Elixir CR Mag/X0/XX, Stainless Hardware
11	11.5315.049.020	MMX/Shifter Mounting Bracket, Right - Elixir CR Mag/X0/XX, Stainless Hardware



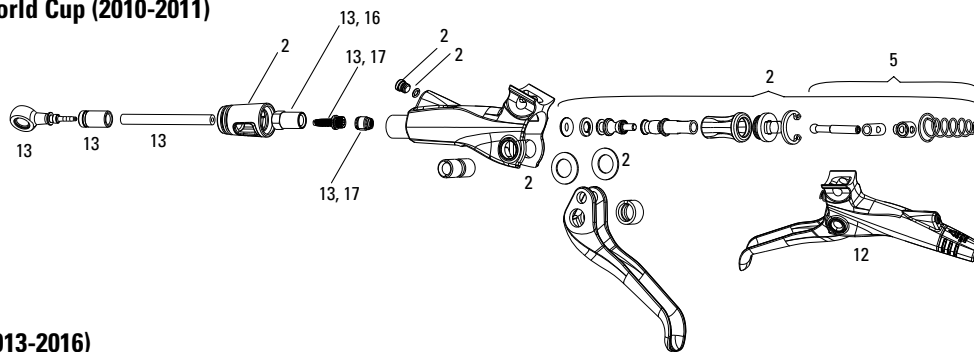
XX (2010-2011)



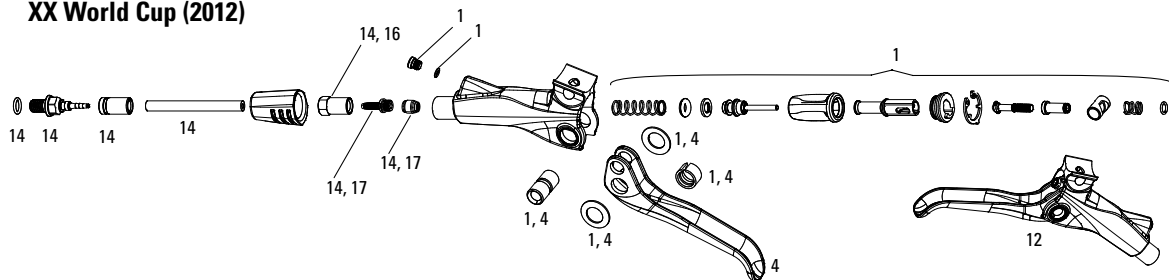
XX (2012)



XX World Cup (2010-2011)



XX (2013-2016)  
XX World Cup (2012)



Notes:

1. \*Pad contact adjuster assembly and parts are not serviceable and are not replaceable. Damage to pad contact adjuster assembly or parts requires replacement of complete assembled lever assembly.
2. Lever Internals kit is pre-assembled



**LEVER SPARES**

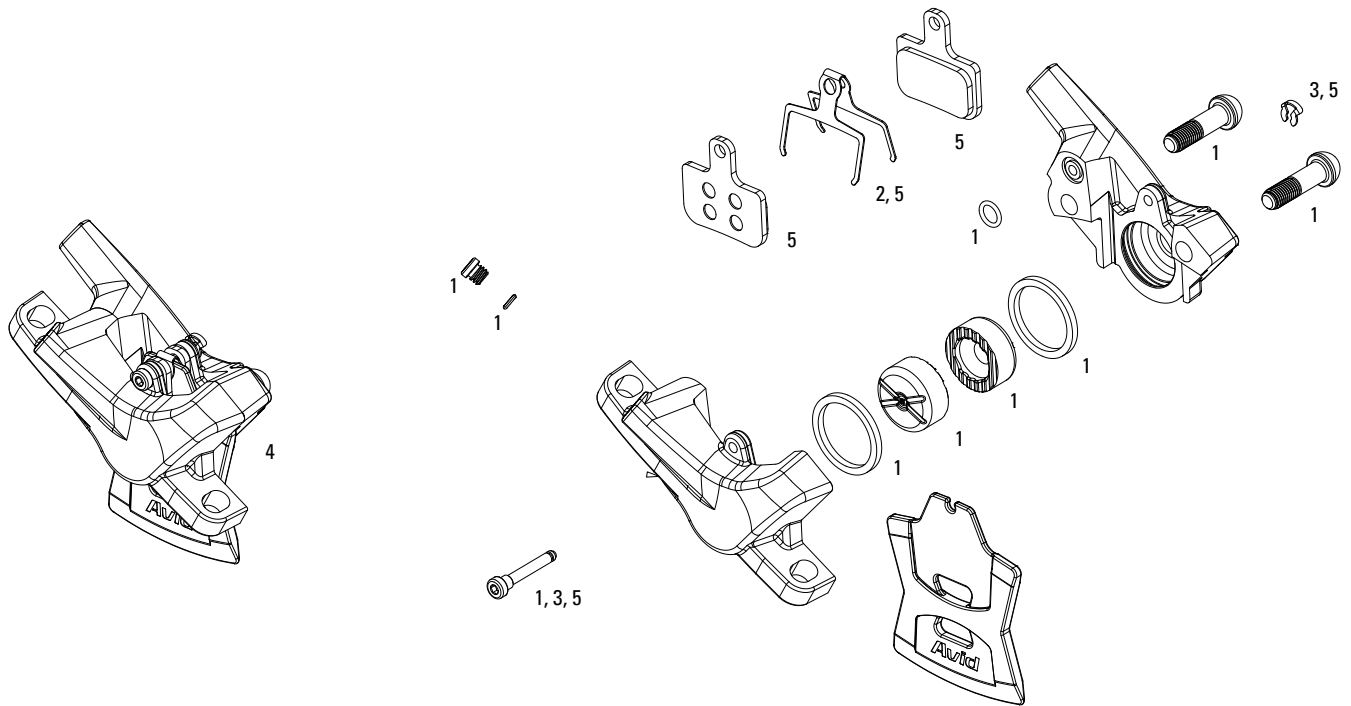
No.	Part Number	Description
1	11.5015.064.070	Lever Internals/Service kit Carbon Qty 1 - 2012-2016 XX/XXWC/2013-2016 X0 GS
2	11.5015.064.080	Lever Internals/Service Kit - XX 2010-2011, /X0 2011-2012, X0 MY12 (Produced after August 2011) Qty 1
4	11.5018.003.006	Lever Blade XX Carbon Black Qty 1 2012-2016
5	11.5015.057.000	Lever Pushrod/Cross Dowel/Return Spring - Elixir CR Mag/X0 Carbon/XX
12	11.5018.004.021	Lever Assy XX Carbon (tooled reach adjust), Hinged Clamp/MMXcompatible, Obsidian Black (assembled, no hose, includes hinged clamp) 2013-2014

**HYDRAULIC LINES & FITTINGS**

13	00.5016.168.030	Hydraulic Line Kit - XX, Juicy Ultimate, Juicy 7, Juicy 5, 2000mm, Aluminum Banjo, Black, Qty 1
13	00.5016.168.040	Hydraulic Line Kit - XX, Juicy Ultimate, Juicy 7, Juicy 5, 2000mm, Aluminum Banjo, White, Qty 1
14	00.5016.168.050	Hydraulic Line Kit - Elixir 5, Elixir 7, Elixir 9, Elixir R,Elixir CR, Elixir X0, Elixir CR Mag, 2000mm, Stainless, Black, Qty 1
14	00.5016.168.060	Hydraulic Line Kit - Elixir 5, Elixir 7, Elixir 9, Elixir R,Elixir CR, Elixir X0, Elixir CR Mag, 2000mm, Stainless, White, Qty 1
16	11.5309.766.000	Hydraulic Disc Brake Compression Hose Nut, Qty 5
17	11.5378.803.002	Hydraulic Disc Brake Hose Fitting Kit (includes 5 threaded hosebarbs, 5 red comp fittings, 1 T8 Torx) Qty 5
17	11.5378.803.003	Hydraulic Disc Brake Hose Fitting Kit (includes 50 threadedhosebarbs, 50 red comp fittings, 1 T8 Torx) Qty 50
ns	11.5315.050.010	Elixir Lever Pivot Bearing Press Tool (required for 2010 Elixir CR Mag and XX)

**LEVER CLAMPS**

7	11.5315.048.010	Discrete Bar Clamp, Black, Lever (Stainless Steel Bolt T25)Elixir 9/7/CR Mag/X0/ XX, Qty 1
7	11.5315.048.020	Discrete Bar Clamp, Silver, Lever (Ti Bolt T25) - Elixir 9/7/CR Mag/X0/ XX, Qty 1
8	11.5315.048.030	Bolt, Bar Clamp Lever (Stainless Steel T25) - Elixir 9/7/CRMag/X0/ XX, Qty 2
8	11.5315.048.040	Bolt, Bar Clamp Lever (Ti T25) - Elixir 9/7/CR Mag/X0/ XX, Qty 2
9	11.5315.048.050	MMX Clamp, Silver, Lever (Stainless Steel Bolt T25) - Guide, Level, DB5 Elixir 9/7/CR Mag/X0/ XX, Qty 1
9	11.5315.048.060	MMX Clamp, Silver, Lever (Ti Bolt T25) - Guide, Level, DB5 Elixir 9/7/CR Mag/X0/ XX, Qty 1
9	11.5315.048.070	MMX Clamp, Black, Lever (Stainless Steel Bolt T25) - Guide, Level, DB5 Elixir 9/7/CR Mag/X0/ XX, Qty 1
9	11.5315.048.080	MMX Clamp, Black, Lever (Ti Bolt T25) - Guide, Level, DB5 Elixir 9/7/CR Mag/X0/ XX, Qty 1
10	11.5315.049.010	MMX/Shifter Mounting Bracket, Left - Elixir CR Mag/X0/XX, Stainless Hardware
10	11.5315.049.020	MMX/Shifter Mounting Bracket, Right - Elixir CR Mag/X0/XX, Stainless Hardware



## NOTES:

1. See lever pages for exploded view of Hydraulic Line kits

## CALIPER SPARES

No.	Part Number	Description
1	11.5018.007.004	Caliper Parts Kit Elixir DB 1 (includes all small parts) A1
2	11.5015.035.000	Elixir/DB Pad Spreader Kit, Qty 2
3	11.5015.036.030	Pad Pin Kit, Black, Qty 2 - Elixir 1/DB 1
4	11.5018.008.015	Caliper Assembly Standard (non-CPS) Black (assembled, no hose) - DB1

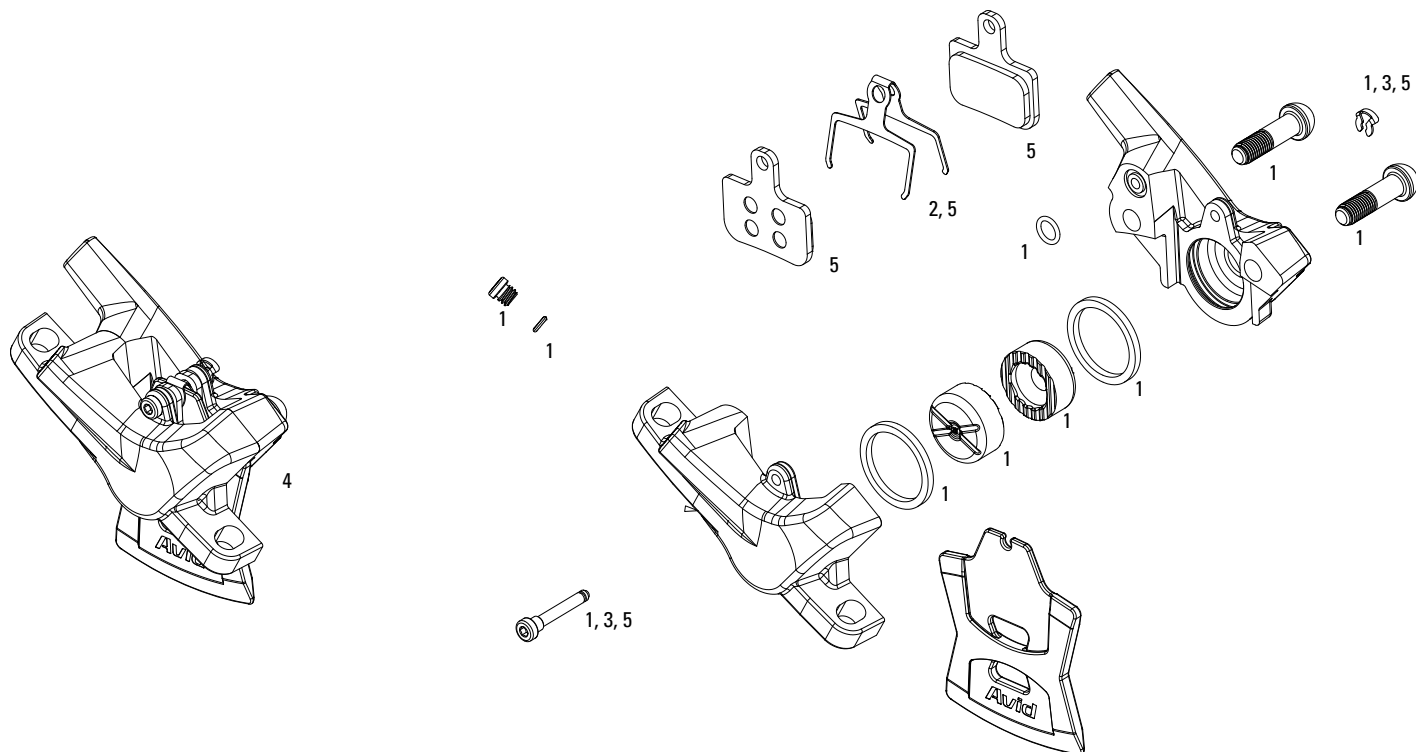
## BRAKE PADS

5	00.5315.035.010	Disc Brake Pads Metal Sintered/Steel - Elixir/DB/Level TL/Level T/Level
5	00.5315.035.020	Disc Brake Pads Organic/Alum - Elixir/DB/Level TL/Level T/Level
5	00.5315.035.030	Disc Brake Pads Organic/Steel - Elixir/DB/Level TL/Level T/Level

## HYDRAULIC LINES & FITTINGS

ns	00.5016.168.010	Hydraulic Line Kit - Code/Code R/Elixir 3/Elixir 1/Juicy 3/DB 3/DB 1/Level T/Level/Guide RE, 2000mm, Black, Qty 1
ns	00.5016.168.020	Hydraulic Line Kit - Code/Code R/Elixir 3/Elixir 1/Juicy 3/DB 3/DB 1/Level T/Level/Guide RE, 2000mm, White, Qty 1
ns	11.5309.766.000	Hydraulic Disc Brake Compression Hose Nut, Qty 5
ns	11.5378.803.002	Hydraulic Disc Brake Hose Fitting Kit (includes 5 threaded hosebarbs, 5 red comp fittings, 1 T8 Torx) Qty 5
ns	11.5378.803.003	Hydraulic Disc Brake Hose Fitting Kit (includes 50 threaded hosebarbs, 50 red comp fittings, 1 T8 Torx) Qty 50

# DB 3 - HYDRAULIC DISC BRAKE - CALIPERS



## NOTES:

1. See lever pages for exploded view of Hydraulic Line kits

## CALIPER SPARES

No.	Part Number	Description
1	11.5018.007.005	Caliper Parts Kit Elixir DB 3 (includes all small parts) A1
2	11.5015.035.000	Elixir/DB Pad Spreader Kit, Qty 2
3	11.5015.036.000	Pad Pin Kit, Black Qty 2 - Elixir
4	11.5018.008.016	Caliper Assembly Standard (non-CPS) Black (assembled, no hose) - DB3
4	11.5018.008.017	Caliper Assembly Standard (non-CPS) White (assembled, no hose) - DB3

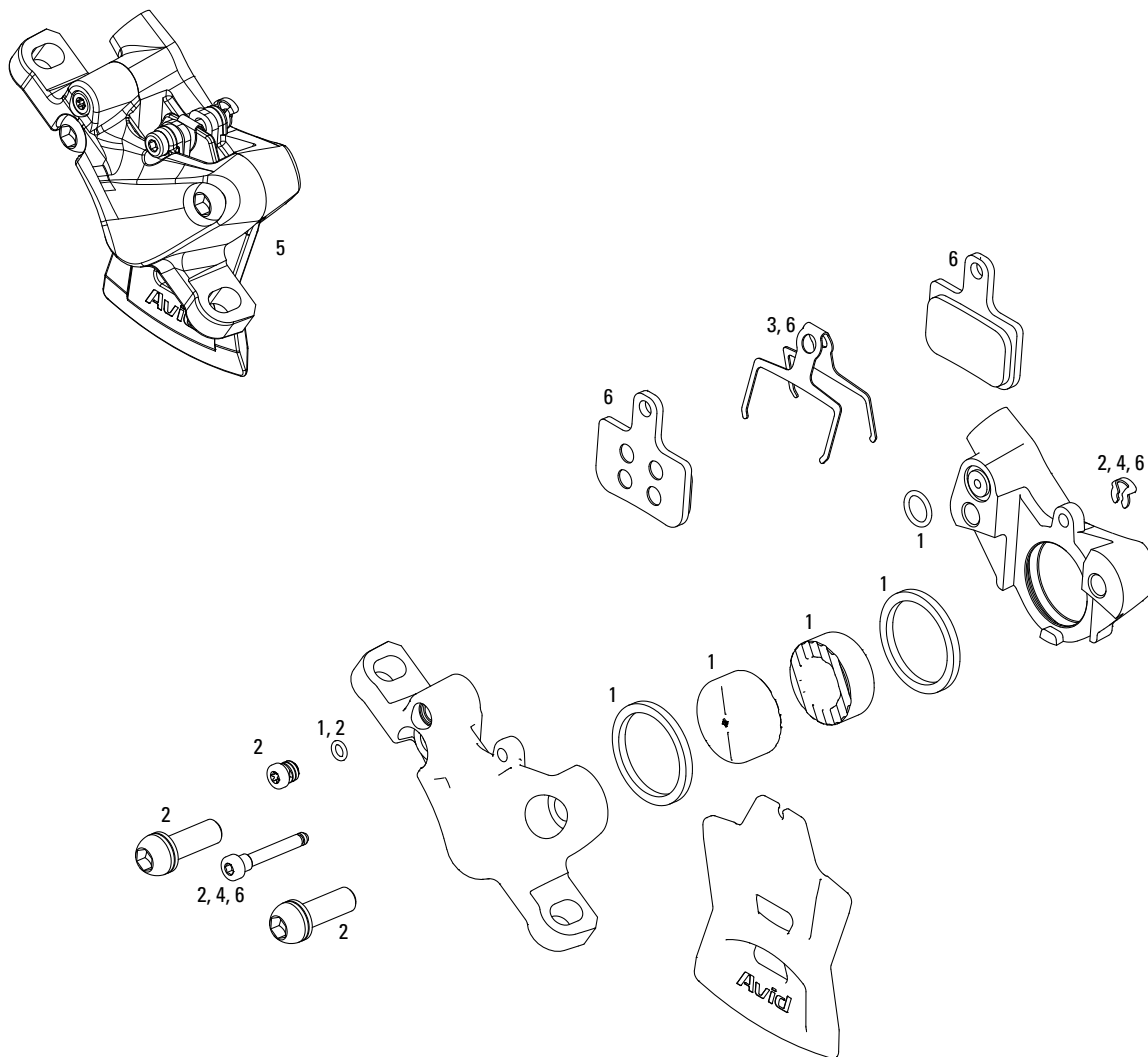
## BRAKE PADS

5	00.5315.035.010	Disc Brake Pads Metal Sintered/Steel - Elixir/DB/Level TL/Level T/Level
5	00.5315.035.020	Disc Brake Pads Organic/Alum - Elixir/DB/Level TL/Level T/Level
5	00.5315.035.030	Disc Brake Pads Organic/Steel - Elixir/DB/Level TL/Level T/Level

## HYDRAULIC LINES & FITTINGS

ns	00.5016.168.010	Hydraulic Line Kit - Code/Code R/Elixir 3/Elixir 1/Juicy 3/DB 3/DB 1/Level T/Level/Guide RE, 2000mm, Black, Qty 1
ns	00.5016.168.020	Hydraulic Line Kit - Code/Code R/Elixir 3/Elixir 1/Juicy 3/DB 3/DB 1/Level T/Level/Guide RE, 2000mm, White, Qty 1
ns	11.5309.766.000	Hydraulic Disc Brake Compression Hose Nut, Qty 5
ns	11.5378.803.002	Hydraulic Disc Brake Hose Fitting Kit (includes 5 threaded hosebarbs, 5 red comp fittings, 1 T8 Torx) Qty 5
ns	11.5378.803.003	Hydraulic Disc Brake Hose Fitting Kit (includes 50 threaded hosebarbs, 50 red comp fittings, 1 T8 Torx) Qty 50

# DB 5 - HYDRAULIC DISC BRAKE - CALIPERS



## NOTES:

1. See lever pages for exploded view of Hydraulic Line kits

## CALIPER SPARES

No.	Part Number	Description
1	11.5018.020.000	Caliper Piston Kit (includes 2-21mm caliper pistons, seals & O-rings) - DB5
2	11.5018.021.000	Caliper Hardware Kit (includes body bolts, bleed screw, padpin) - DB5
3	11.5015.035.000	Elixir/DB Pad Spreader Kit, Qty 2
4	11.5015.036.000	Pad Pin Kit, Black Qty 2 - Elixir
5	11.5018.008.018	Caliper Assembly Standard (non-CPS) Black (assembled, no hose) - DB5
5	11.5018.008.019	Caliper Assembly Standard (non-CPS) White (assembled, no hose) - DB5

## BRAKE PADS

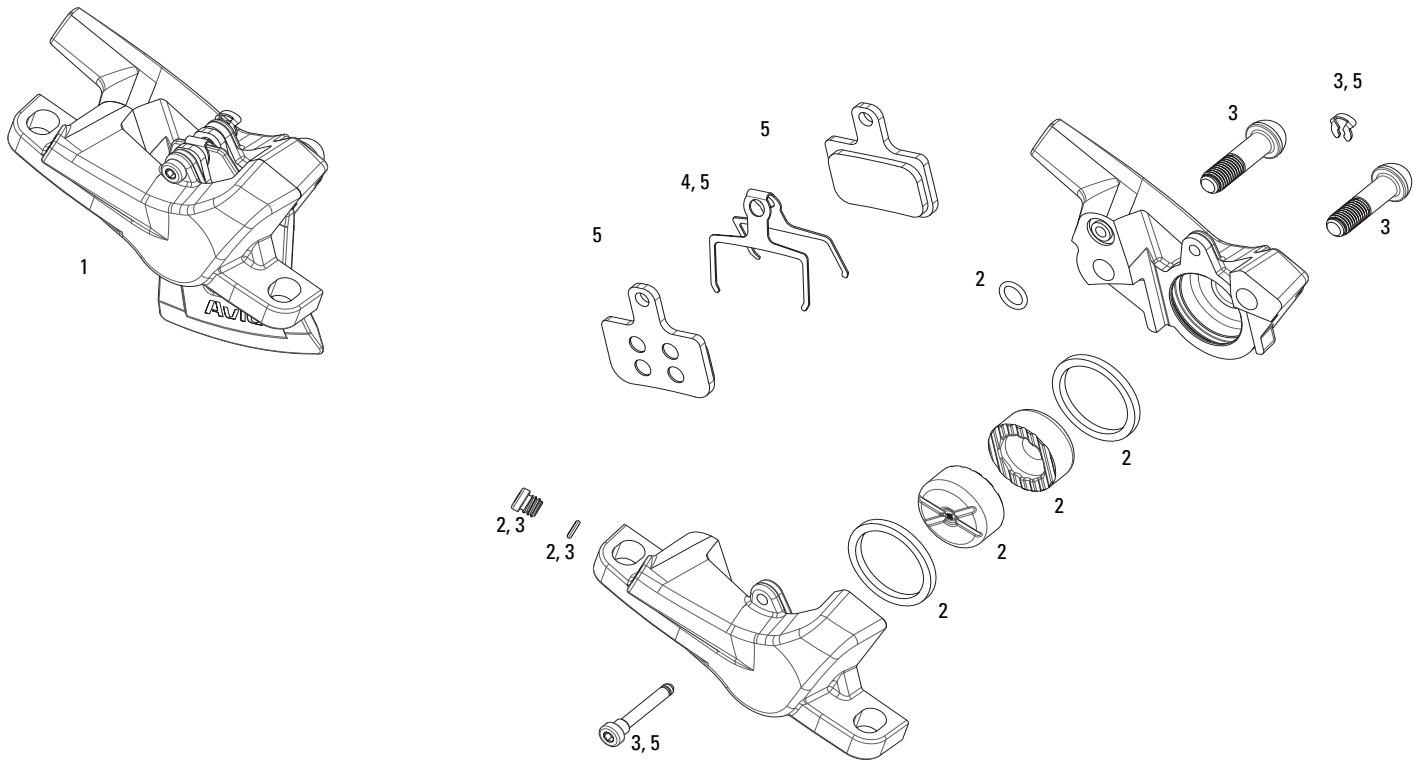
5	00.5315.035.010	Disc Brake Pads Metal Sintered/Steel - Elixir/DB/Level TL/Level T/Level
5	00.5315.035.020	Disc Brake Pads Organic/Alum - Elixir/DB/Level TL/Level T/Level
5	00.5315.035.030	Disc Brake Pads Organic/Steel - Elixir/DB/Level TL/Level T/Level

## HYDRAULIC LINES & FITTINGS

ns	00.5016.168.130	Hydraulic Line Kit - Guide RSC/Guide RS/Guide R/DB5/Level TL, 2000mm, Stainless, Black, Qty 1
ns	00.5016.168.140	Hydraulic Line Kit - Guide RSC/Guide RS/Guide R/DB5/Level TL, 2000mm, Stainless, White, Qty 1
ns	11.5309.766.000	Hydraulic Disc Brake Compression Hose Nut, Qty 5
ns	11.5378.803.002	Hydraulic Disc Brake Hose Fitting Kit (includes 5 threaded hosebarbs, 5 red comp fittings, 1 T8 Torx) Qty 5
ns	11.5378.803.003	Hydraulic Disc Brake Hose Fitting Kit (includes 50 threaded hosebarbs, 50 red comp fittings, 1 T8 Torx) Qty 50



# LEVEL - HYDRAULIC DISC BRAKE - CALIPERS



## NOTES:

1. Level caliper uses 20mm Pistons

## CALIPER SPARES

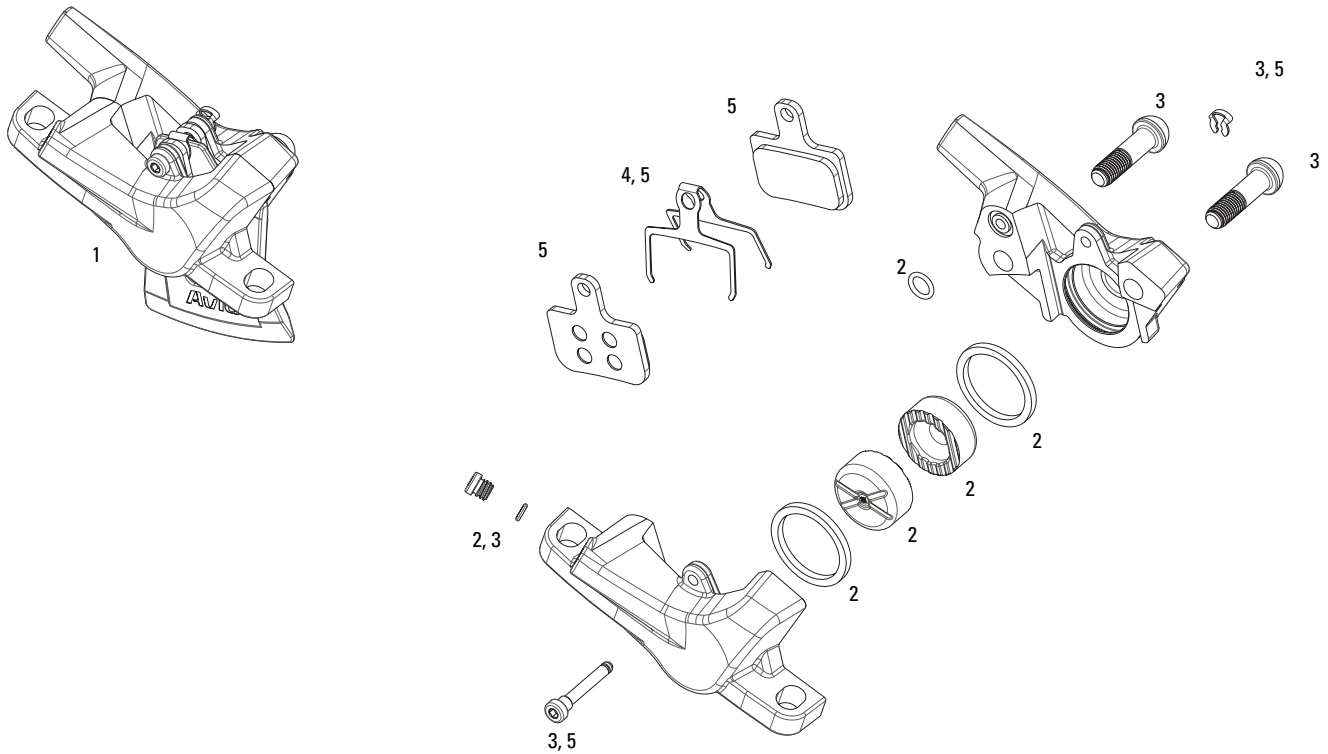
No.	Part Number	Description
1	11.5018.008.026	Caliper Assembly Standard (non-CPS) Black (assembled, no hose) - Level
2	11.5018.020.003	Caliper Piston Kit (includes 2-20mm caliper pistons, seals &orings) - Level
3	11.5018.021.004	Caliper Hardware Kit (includes body bolts, bleed screw, padpin) - Level
4	11.5015.035.000	Elixir/DB Pad Spreader Kit, Qty 2

## BRAKE PADS

5	00.5315.035.010	Disc Brake Pads Metal Sintered/Steel - Elixir/DB/Level TL/Level T/Level
5	00.5315.035.020	Disc Brake Pads Organic/Alum - Elixir/DB/Level TL/Level T/Level
5	00.5315.035.030	Disc Brake Pads Organic/Steel - Elixir/DB/Level TL/Level T/Level

## HYDRAULIC LINES & FITTINGS

ns	00.5016.168.010	Hydraulic Line Kit - Code/Code R/Elixir 3/Elixir 1/Juicy 3/DB 3/DB 1/Level T/Level/Guide RE, 2000mm, Black, Qty 1
ns	00.5016.168.020	Hydraulic Line Kit - Code/Code R/Elixir 3/Elixir 1/Juicy 3/DB 3/DB 1/Level T/Level/Guide RE, 2000mm, White, Qty 1
ns	11.5309.766.000	Hydraulic Disc Brake Compression Hose Nut, Qty 5
ns	11.5378.803.002	Hydraulic Disc Brake Hose Fitting Kit (includes 5 threaded hosebarbs, 5 red comp fittings, 1 T8 Torx) Qty 5
ns	11.5378.803.003	Hydraulic Disc Brake Hose Fitting Kit (includes 50 threaded hosebarbs, 50 red comp fittings, 1 T8 Torx) Qty 50



**NOTES:**

1. Level T caliper uses 21mm Pistons

## CALIPER SPARES

No.	Part Number	Description
1	11.5018.008.027	Caliper Assembly Standard (non-CPS) Gloss Black (assembled,no hose) - Level T
2	11.5018.020.004	Caliper Piston Kit (includes 2-21mm caliper pistons, seals & rings) - Level TL/T
3	11.5018.021.005	Caliper Hardware Kit (includes body bolts, bleed screw, padpin) - Level T
4	11.5015.035.000	Elixir/DB Pad Spreader Kit, Qty 2

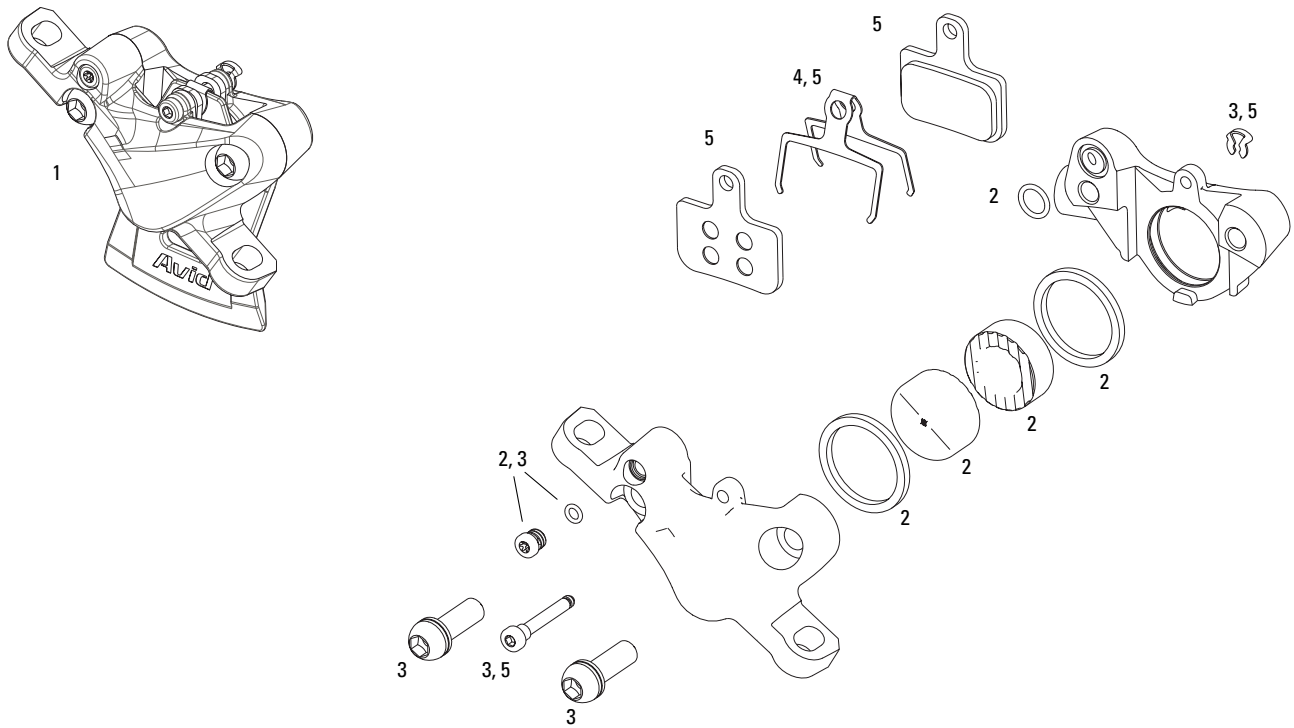
## BRAKE PADS

5	00.5315.035.010	Disc Brake Pads Metal Sintered/Steel - Elixir/DB/Level TL/Level T/Level
5	00.5315.035.020	Disc Brake Pads Organic/Alum - Elixir/DB/Level TL/Level T/Level
5	00.5315.035.030	Disc Brake Pads Organic/Steel - Elixir/DB/Level TL/Level T/Level

## HYDRAULIC LINES & FITTINGS

ns	00.5016.168.010	Hydraulic Line Kit - Code/Code R/Elixir 3/Elixir 1/Juicy 3/DB 3/DB 1/Level T/Level/Guide RE, 2000mm, Black, Qty 1
ns	00.5016.168.020	Hydraulic Line Kit - Code/Code R/Elixir 3/Elixir 1/Juicy 3/DB 3/DB 1/Level T/Level/Guide RE, 2000mm, White, Qty 1
ns	11.5309.766.000	Hydraulic Disc Brake Compression Hose Nut, Qty 5
ns	11.5378.803.002	Hydraulic Disc Brake Hose Fitting Kit (includes 5 threaded hosebarbs, 5 red comp fittings, 1 T8 Torx) Qty 5
ns	11.5378.803.003	Hydraulic Disc Brake Hose Fitting Kit (includes 50 threaded hosebarbs, 50 red comp fittings, 1 T8 Torx) Qty 50

# LEVEL TL - HYDRAULIC DISC BRAKE - CALIPERS



## NOTES:

1. Level TL caliper uses 21mm Pistons

## CALIPER SPARES

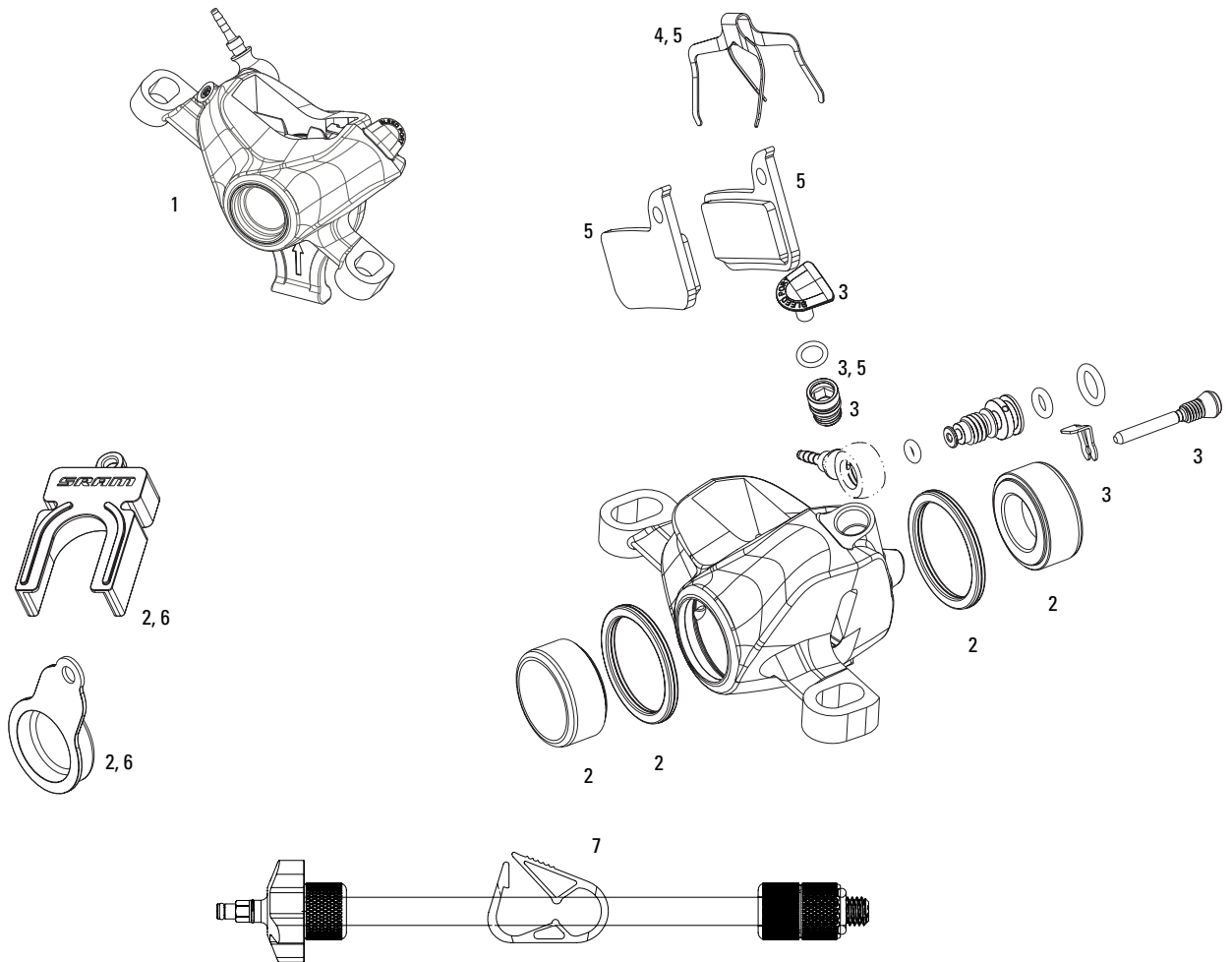
No.	Part Number	Description
1	11.5018.008.028	Caliper Assembly Standard (non-CPS) Gloss Black (assembled,no hose) - Level TL
2	11.5018.020.004	Caliper Piston Kit (includes 2-21mm caliper pistons, seals & rings) - Level TL/T
3	11.5018.021.006	Caliper Hardware Kit (includes body bolts, bleed screw, padpin) - Level TL
4	11.5015.035.000	Elixir/DB Pad Spreader Kit, Qty 2

## BRAKE PADS

5	00.5315.035.010	Disc Brake Pads Metal Sintered/Steel - Elixir/DB/Level TL/Level T/Level
5	00.5315.035.020	Disc Brake Pads Organic/Alum - Elixir/DB/Level TL/Level T/Level
5	00.5315.035.030	Disc Brake Pads Organic/Steel - Elixir/DB/Level TL/Level T/Level

## HYDRAULIC LINES & FITTINGS

ns	00.5016.168.130	Hydraulic Line Kit - Guide RSC/Guide RS/Guide R/DB5/Level TL, 2000mm, Stainless, Black, Qty 1
ns	00.5016.168.140	Hydraulic Line Kit - Guide RSC/Guide RS/Guide R/DB5/Level TL, 2000mm, Stainless, White, Qty 1
ns	11.5309.766.000	Hydraulic Disc Brake Compression Hose Nut, Qty 5
ns	11.5378.803.002	Hydraulic Disc Brake Hose Fitting Kit (includes 5 threaded hosebarbs, 5 red comp fittings, 1 T8 Torx) Qty 5
ns	11.5378.803.003	Hydraulic Disc Brake Hose Fitting Kit (includes 50 threaded hosebarbs, 50 red comp fittings, 1 T8 Torx) Qty 50



**NOTES:**

- 1. Monoblock Caliper requires Bleeding Edge tool to bleed hydraulic line.
- 2. Monoblock Caliper requires Caliper Piston Removal Tool to remove pistons and access piston seals.

## CALIPER SPARES

No.	Part Number	Description
1	11.5018.008.029	Caliper Assembly Standard (non-CPS) Dark Grey (assembled, nohose) - Level TLM
2	11.5018.020.005	Caliper Piston Kit (includes monoblock piston tool, 2-21mm Aluminum caliper pistons, seals & orings) - Level Ultimate/TLM
3	11.5018.021.007	Caliper Hardware Kit (includes bleed screw, pad pin) - Level Ultimate/TLM
4	11.5018.006.002	Pad Spreader Monoblock - Level Ultimate, TLM Qty 2

## BRAKE PADS

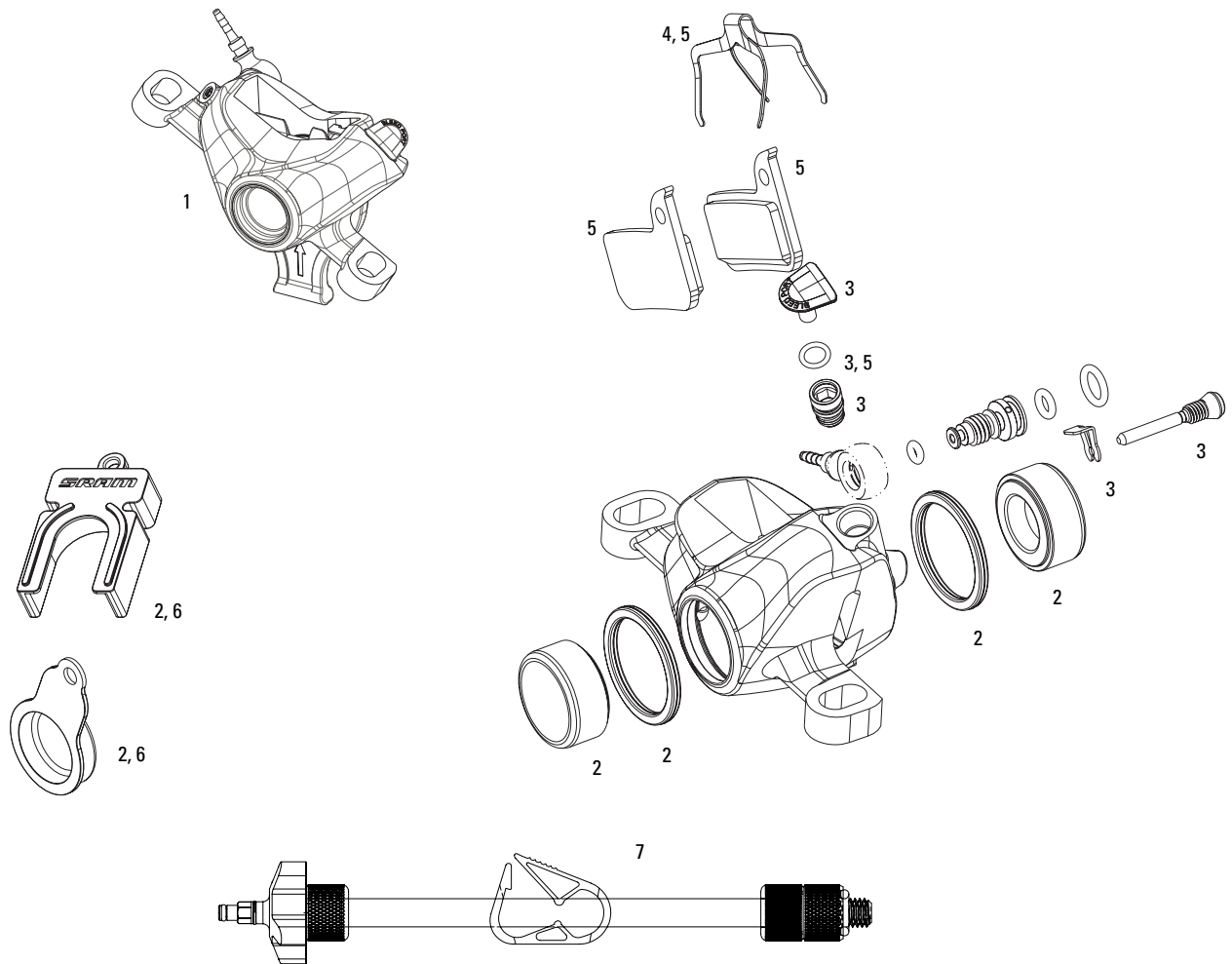
5	00.5318.010.002	Disc Brake Pads Organic/Steel (includes guide pin, clip & pad spreader) - SRAM Hydraulic Road Disc, Level Ultimate/TLM
5	00.5318.010.003	Disc Brake Pads Organic/Aluminum (includes guide pin, clip & pad spreader) - SRAM Hydraulic Road Disc, Level Ultimate/TLM
5	00.5318.010.004	Disc Brake Pads Sintered/Steel (includes guide pin, clip & pad spreader) - SRAM Hydraulic Road Disc, Level Ultimate/TLM

## HYDRAULIC LINES & FITTINGS

ns	00.5016.168.170	Hydraulic Line Kit - Monoblock, 2000mm, Black, Qty 1 - Level Ultimate, Level TLM
ns	11.5309.766.000	Hydraulic Disc Brake Compression Hose Nut, Qty 5
ns	11.5378.803.002	Hydraulic Disc Brake Hose Fitting Kit (includes 5 threaded hosebarbs, 5 red comp fittings, 1 T8 Torx) Qty 5
ns	11.5378.803.003	Hydraulic Disc Brake Hose Fitting Kit (includes 50 threaded hosebarbs, 50 red comp fittings, 1 T8 Torx) Qty 50

## TOOLS

6	00.5318.015.003	SRAM Monoblock Caliper 21mm Piston Removal Tool (includes plug & removal block) - Level Ultimate/TLM
7	00.5318.015.001	SRAM Tool Bleeding Edge (works with Avid/SRAM Pro Bleed Kits) -S4/Monoblock Calipers, Guide Ultimate/RSC (B1)/RS (B1)/R (B1)/Level Ult/Level TLM



## NOTES:

1. Monoblock Caliper requires Bleeding Edge tool to bleed hydraulic line.
2. Monoblock Caliper requires Caliper Piston Removal Tool to remove pistons and access piston seals.

## CALIPER SPARES

No.	Part Number	Description
1	11.5018.008.030	Caliper Assembly Standard (non-CPS) Black Anodized (assembled, no hose) - Level Ultimate
2	11.5018.020.005	Caliper Piston Kit (includes monoblock piston tool, 2-21mm Aluminum caliper pistons, seals & orings) - Level Ultimate/TLM
3	11.5018.021.007	Caliper Hardware Kit (includes bleed screw, pad pin) - Level Ultimate/TLM
4	11.5018.006.002	Pad Spreader Monoblock - Level Ultimate, TLM Qty 2

## BRAKE PADS

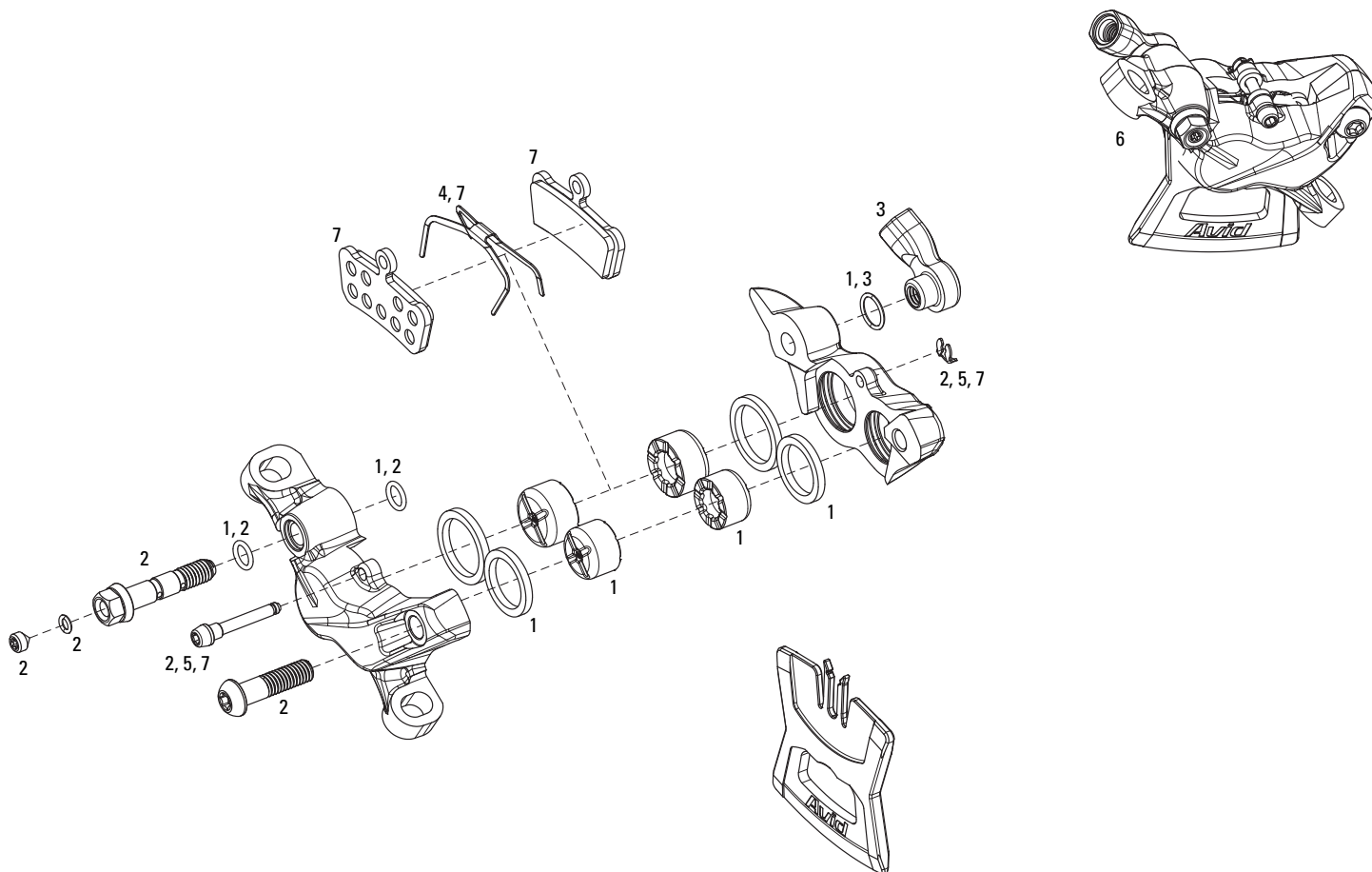
5	00.5318.010.002	Disc Brake Pads Organic/Steel (includes guide pin, clip & pad spreader) - SRAM Hydraulic Road Disc, Level Ultimate/TLM
5	00.5318.010.003	Disc Brake Pads Organic/Aluminum (includes guide pin, clip & pad spreader) - SRAM Hydraulic Road Disc, Level Ultimate/TLM
5	00.5318.010.004	Disc Brake Pads Sintered/Steel (includes guide pin, clip & pad spreader) - SRAM Hydraulic Road Disc, Level Ultimate/TLM

## HYDRAULIC LINES & FITTINGS

ns	00.5016.168.170	Hydraulic Line Kit - Monoblock, 2000mm, Black, Qty 1 - Level Ultimate, Level TLM
ns	11.5309.766.000	Hydraulic Disc Brake Compression Hose Nut, Qty 5
ns	11.5378.803.002	Hydraulic Disc Brake Hose Fitting Kit (includes 5 threaded hosebarbs, 5 red comp fittings, 1 T8 Torx) Qty 5
ns	11.5378.803.003	Hydraulic Disc Brake Hose Fitting Kit (includes 50 threaded hosebarbs, 50 red comp fittings, 1 T8 Torx) Qty 50

## TOOLS

6	00.5318.015.003	SRAM Monoblock Caliper 21mm Piston Removal Tool (includes plug & removal block) - Level Ultimate/TLM
7	00.5318.015.001	SRAM Tool Bleeding Edge (works with Avid/SRAM Pro Bleed Kits) -S4/Monoblock Calipers, Guide Ultimate/RSC (B1)/RS (B1)/R (B1)/Level Ult/Level TLM



## NOTES:

1. See lever pages for exploded view of Hydraulic Line kits

## CALIPER SPARES

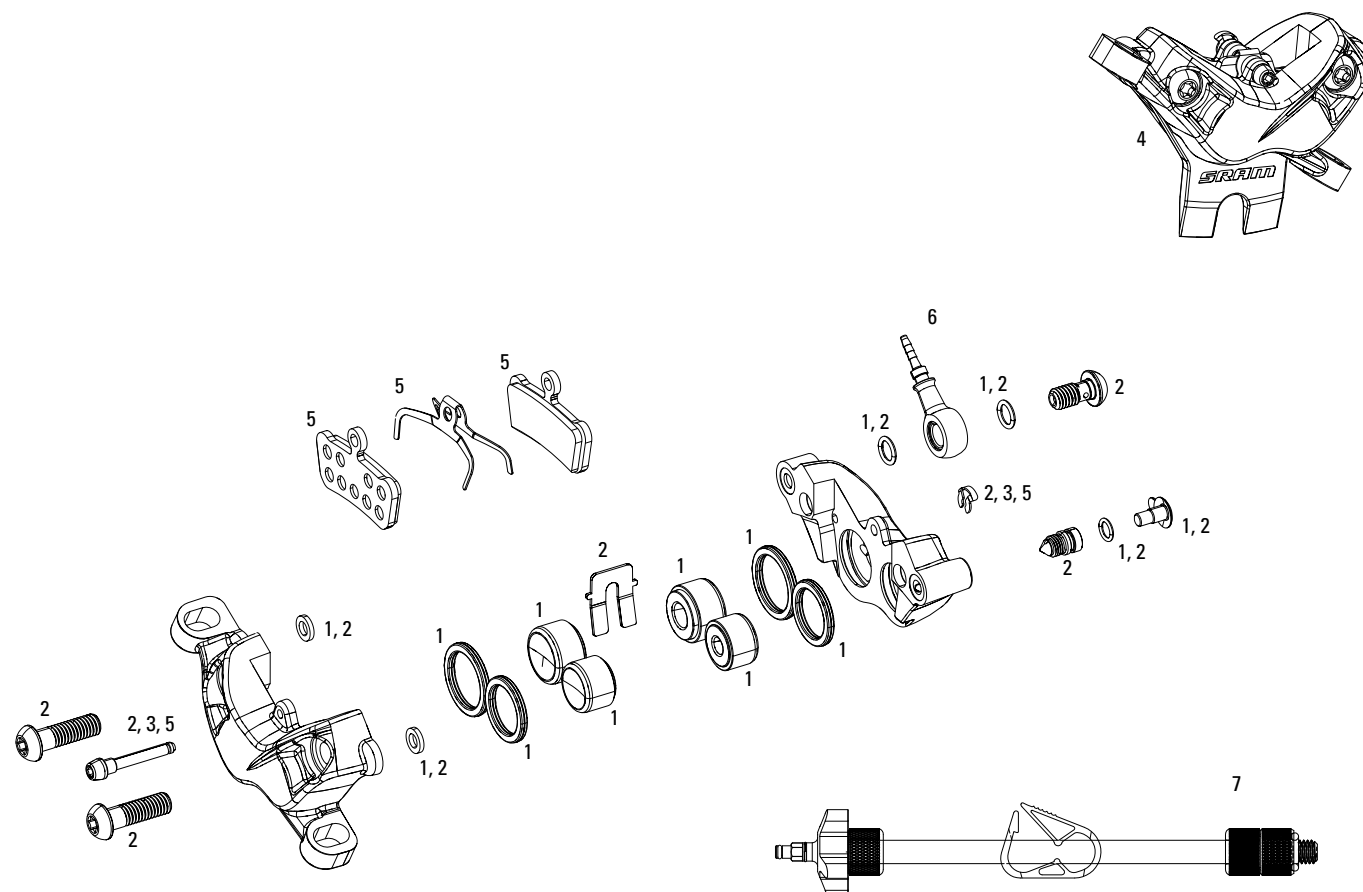
No.	Part Number	Description
1	11.5018.020.001	Caliper Piston Kit (includes 2-16mm & 2-14mm caliper pistons, seals & O-rings) - Guide R,RS,RSC
2	11.5018.021.001	Caliper Hardware Kit (includes black body bolt, banjo bolt, bleed screw, pad pin) - GUIDE R/RS
3	11.5015.060.020	Banjo Kit, Black, Qty 1 - Elixir R/CR/CR Mag/X0/Elixir 9/Elixir 7/Guide R,RS,RSC
4	11.5018.006.000	Pad Spreader, Qty 2- Trail/Guide R,RS,RSC
5	11.5015.036.010	Pad Pin Kit, Silver, Steel, Qty 2 - Elixir/Code/Guide R,RE,RS,RSC
6	11.5018.008.020	Caliper Assembly Standard (non-CPS) Black (assembled, no hose) - GUIDE R/RS
6	11.5018.008.021	Caliper Assembly Standard (non-CPS) Grey (assembled, no hose) - GUIDE R/RS

## BRAKE PADS

7	00.5318.003.003	Disc Brake Pads Organic/Alum, (1 set) - Trail/Guide
7	00.5318.003.004	Disc Brake Pads Organic/Steel, (1 set) - Trail/Guide
7	00.5318.003.005	Disc Brake Pads Sintered/Steel, (1 set) - Trail/Guide

## HYDRAULIC LINES & FITTINGS

ns	00.5016.168.130	Hydraulic Line Kit - Guide RSC/Guide RS/Guide R/DB5/Level TL, 2000mm, Stainless, Black, Qty 1
ns	00.5016.168.140	Hydraulic Line Kit - Guide RSC/Guide RS/Guide R/DB5/Level TL, 2000mm, Stainless, White, Qty 1
ns	11.5309.766.000	Hydraulic Disc Brake Compression Hose Nut, Qty 5
ns	11.5378.803.002	Hydraulic Disc Brake Hose Fitting Kit (includes 5 threaded hosebarbs, 5 red comp fittings, 1 T8 Torx) Qty 5
ns	11.5378.803.003	Hydraulic Disc Brake Hose Fitting Kit (includes 50 threaded hosebarbs, 50 red comp fittings, 1 T8 Torx) Qty 50



## NOTES:

1. The B1 (2017) Generation was upgraded to the S4 caliper and uses S4 caliper kits & S4 Hydraulic Line Kit.
2. See lever pages for exploded view of Hydraulic Line kits
3. SRAM Tool Bleeding Edge needed to bleed S4 calipers

## CALIPER SPARES

No.	Part Number	Description
1	11.5018.020.006	Caliper Piston Kit (includes 2-16mm & 2-14mm caliper pistons, seals & orings) - Guide R, RS, RSC (A1-B1)
2	11.5018.021.008	Caliper Hardware Kit (includes black body bolt, banjo bolt, bleed screw, pad pin) S4 Caliper - GUIDE R(B1)/RS(B1)
3	11.5018.033.000	Pad Pin Kit, Stainless Steel, Qty 2 S4 Caliper - Guide Ultimate/RSC (B1)/RS(B1)/R(B1)
4	11.5018.008.031	Caliper Assembly Standard (non-CPS) Black (assembled, no hose) - GUIDE R/RS (B1)

## BRAKE PADS

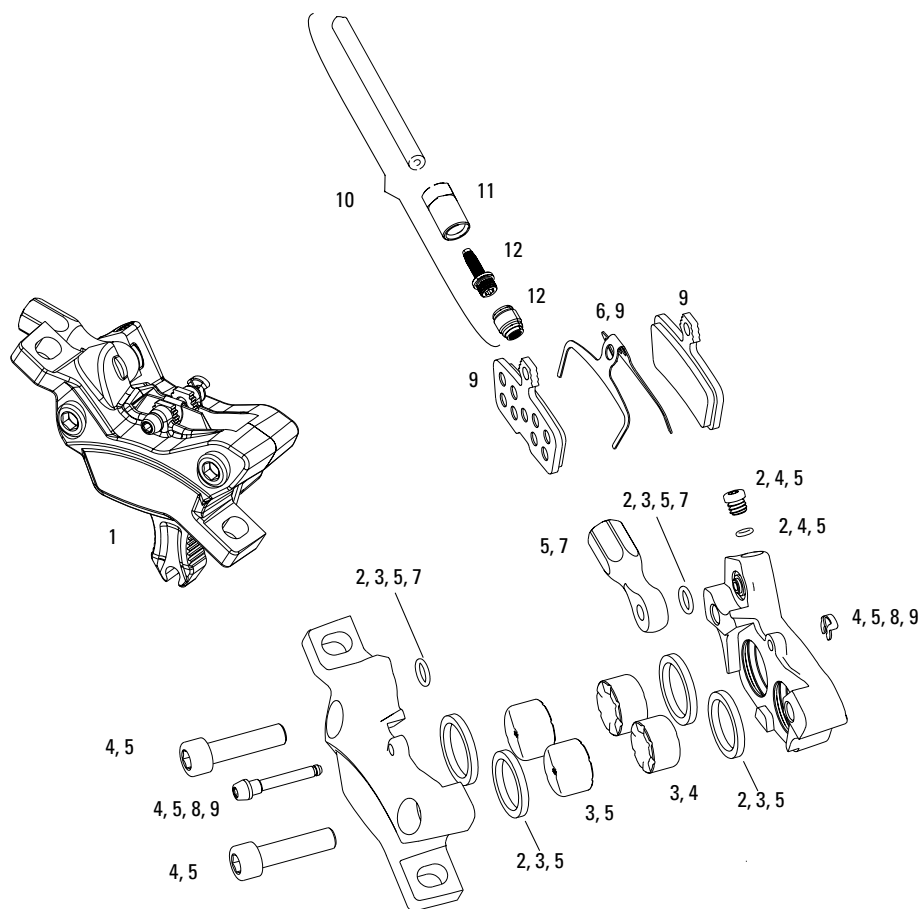
5	00.5318.003.003	Disc Brake Pads Organic/Alum, (1 set) - Trail/Guide
5	00.5318.003.004	Disc Brake Pads Organic/Steel, (1 set) - Trail/Guide
5	00.5318.003.005	Disc Brake Pads Sintered/Steel, (1 set) - Trail/Guide

## HYDRAULIC LINES & FITTINGS

6	00.5016.168.150	Hydraulic Line Kit - S4 Caliper - Guide Ultimate/Guide RSC (B1)/Guide RS(B1)/Guide R (B1), 2000mm, Black, Qty 1
6	00.5016.168.160	Hydraulic Line Kit - S4 Caliper - Guide Ultimate/Guide RSC (B1)/Guide RS(B1)/Guide R (B1), 2000mm, White, Qty 1
ns	11.5309.766.000	Hydraulic Disc Brake Compression Hose Nut, Qty 5
ns	11.5378.803.002	Hydraulic Disc Brake Hose Fitting Kit (includes 5 threaded hosebarbs, 5 red comp fittings, 1 T8 Torx) Qty 5
ns	11.5378.803.003	Hydraulic Disc Brake Hose Fitting Kit (includes 50 threaded hosebarbs, 50 red comp fittings, 1 T8 Torx) Qty 50

## TOOLS

7	00.5318.015.001	SRAM Tool Bleeding Edge (works with Avid/SRAM Pro Bleed Kits) -S4/Monoblock Calipers, Guide Ultimate/RSC (B1)/RS (B1)/R (B1)/Level Ult/Level TLM
---	-----------------	--



## NOTES:

1. Guide RE brakes use Guide R styled Levers with Code-styled calipers.

## CALIPER SPARES

No.	Part Number	Description
1	11.5018.008.032	Caliper Assembly Standard (non-CPS) Grey (assembled, no hose) - GUIDE RE (A1)
2	11.5015.068.010	Service Kit, Caliper Qty 1 - Code (2011-2017)/Guide RE
3	11.5015.068.020	Piston Kit, Caliper Qty 1 - Code (2011-2017)/Guide RE
4	11.5015.068.030	Hardware Kit, Caliper Qty 1 - Code (2011-2017)/Guide RE
5	11.5015.068.040	Caliper Spare Parts Kit Qty 1 - Code (2011-2017)/Guide RE
6	11.5015.068.050	Pad Spreader Qty 2 - Code (2011-2017)/Guide RE
7	11.5015.071.010	Banjo Aluminum, Caliper Qty 2 - Code (2008-2017)/Guide RE
8	11.5015.036.010	Pad Pin Kit, Silver, Steel, Qty 2 - Elixir/Code/Guide R,RE,RS,RSC

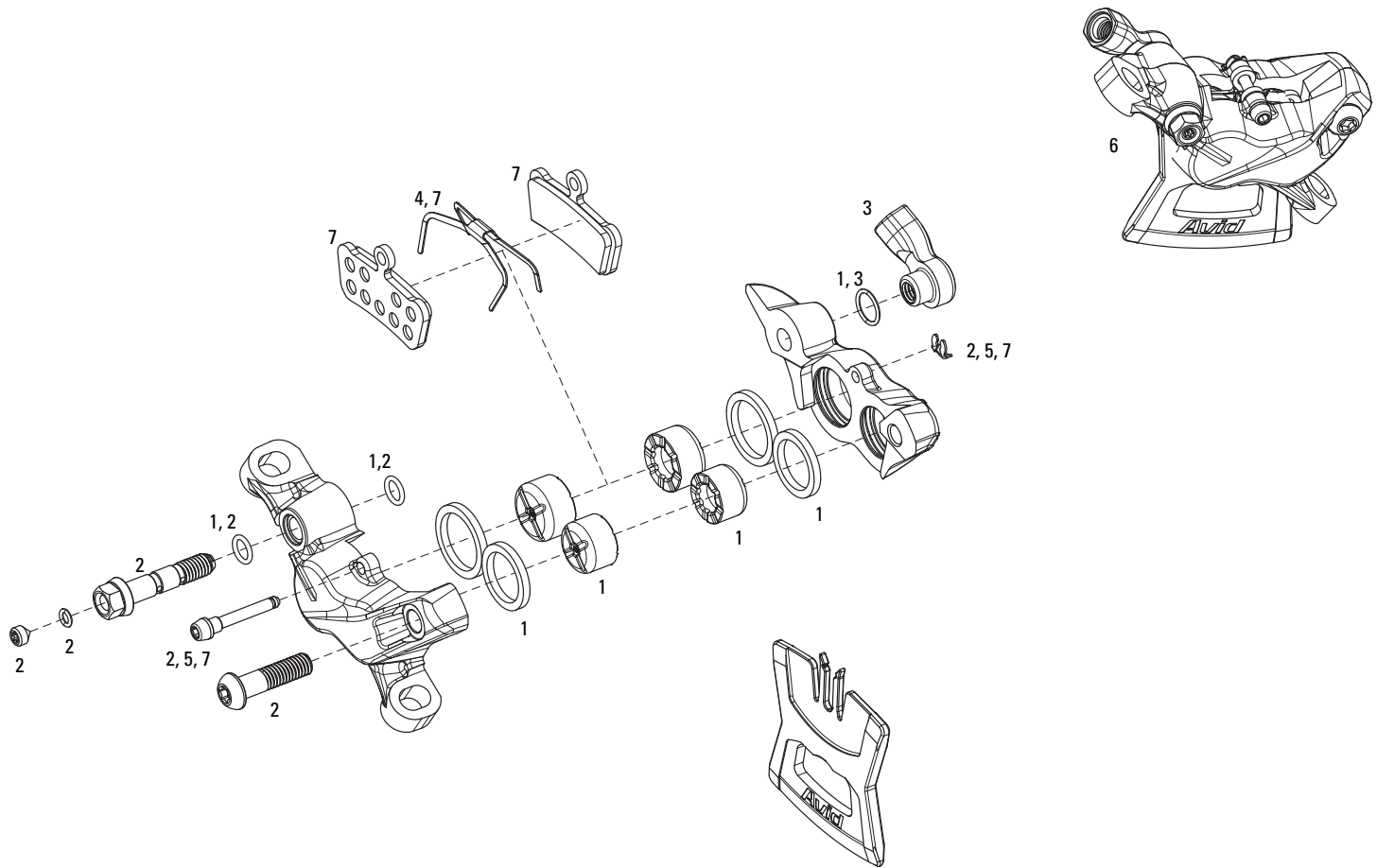
## BRAKE PADS

9	00.5315.023.010	Disc Brake Pads Metal Sintered/Steel - Code 2011+/ Guide RE
9	00.5315.023.020	Disc Brake Pads Organic/Alum - Code 2011+/ Guide RE
9	00.5315.023.030	Disc Brake Pads Organic/Steel - Code 2011+/ Guide RE

## HYDRAULIC LINES & FITTINGS

10	00.5016.168.010	Hydraulic Line Kit - Code/Code R/Elixir 3/Elixir 1/Juicy 3/DB 3/DB 1/Level T/Level/Guide RE, 2000mm, Black, Qty 1
10	00.5016.168.020	Hydraulic Line Kit - Code/Code R/Elixir 3/Elixir 1/Juicy 3/DB 3/DB 1/Level T/Level/Guide RE, 2000mm, White, Qty 1
11	11.5309.766.000	Hydraulic Disc Brake Compression Hose Nut, Qty 5
12	11.5378.803.002	Hydraulic Disc Brake Hose Fitting Kit (includes 5 threaded hosebarbs, 5 red comp fittings, 1 T8 Torx) Qty 5
12	11.5378.803.003	Hydraulic Disc Brake Hose Fitting Kit (includes 50 threaded hosebarbs, 50 red comp fittings, 1 T8 Torx) Qty 50





**NOTES:**

1. See lever pages for exploded view of Hydraulic Line kits

## CALIPER SPARES

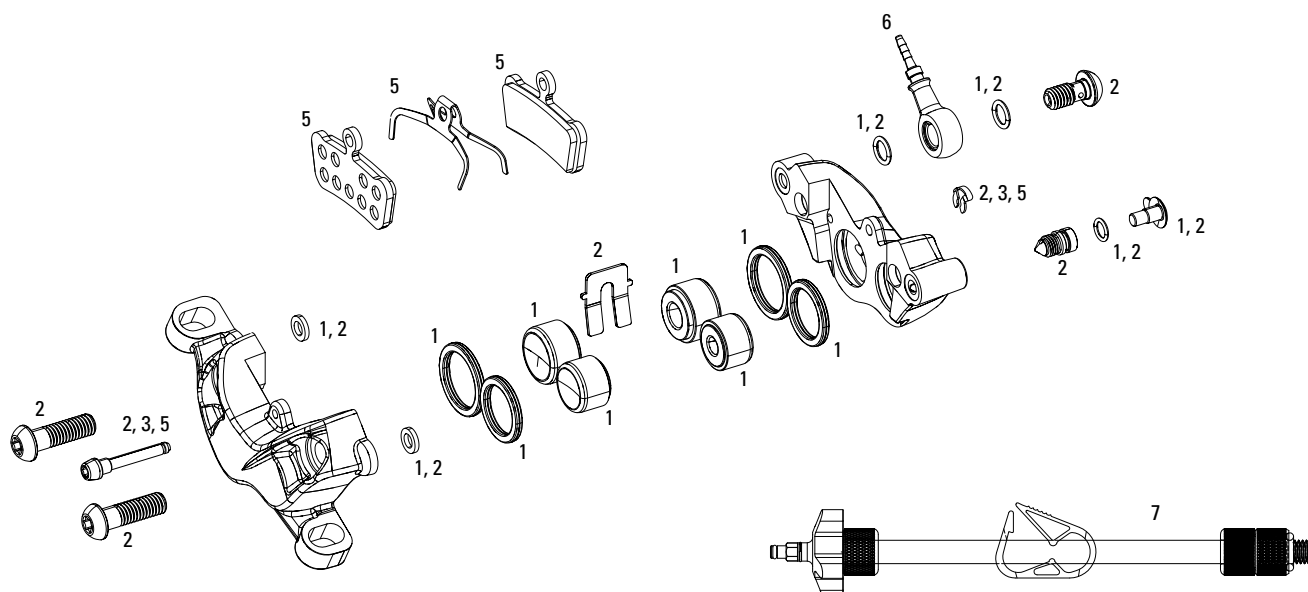
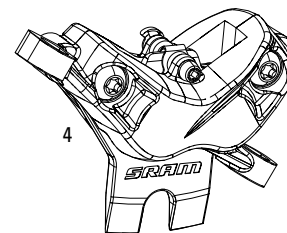
No.	Part Number	Description
1	11.5018.020.001	Caliper Piston Kit (includes 2-16mm & 2-14mm caliper pistons, seals & O-rings) - Guide R,RS,RSC
2	11.5018.021.002	Caliper Hardware Kit (includes stainless body bolt, banjo bolt, bleed screw, pad pin) - GUIDE RSC
3	11.5015.060.020	Banjo Kit, Black, Qty 1 - Elixir R/CR/CR Mag/X0/Elixir 9/Elixir 7/Guide R,RS,RSC
4	11.5018.006.000	Pad Spreader, Qty 2- Trail/Guide R,RS,RSC
5	11.5015.036.010	Pad Pin Kit, Silver, Steel, Qty 2 - Elixir/Code/Guide R,RE,RS,RSC
6	11.5018.008.022	Caliper Assembly Standard (non-CPS) Black Anodized (assembled, no hose) - GUIDE RSC
6	11.5018.008.023	Caliper Assembly Standard (non-CPS) Silver Anodized (assembled, no hose) - GUIDE RSC

## BRAKE PADS

7	00.5318.003.003	Disc Brake Pads Organic/Alum, (1 set) - Trail/Guide
7	00.5318.003.004	Disc Brake Pads Organic/Steel, (1 set) - Trail/Guide
7	00.5318.003.005	Disc Brake Pads Sintered/Steel, (1 set) - Trail/Guide

## HYDRAULIC LINES & FITTINGS

ns	00.5016.168.130	Hydraulic Line Kit - S4 Caliper - Guide Ultimate/Guide RSC (B1)/Guide RS(B1)/Guide R (B1), 2000mm, Black, Qty 1
ns	00.5016.168.140	Hydraulic Line Kit - S4 Caliper - Guide Ultimate/Guide RSC (B1)/Guide RS(B1)/Guide R (B1), 2000mm, White, Qty 1
ns	11.5309.766.000	Hydraulic Disc Brake Compression Hose Nut, Qty 5
ns	11.5378.803.002	Hydraulic Disc Brake Hose Fitting Kit (includes 5 threaded hosebarbs, 5 red comp fittings, 1 T8 Torx) Qty 5
ns	11.5378.803.003	Hydraulic Disc Brake Hose Fitting Kit (includes 50 threadedhosebarbs, 50 red comp fittings, 1 T8 Torx) Qty 50



### NOTES:

1. The B1 (2017) Generation was upgraded to the S4 caliper and uses S4 caliper kits & S4 Hydraulic Line Kit.
2. See lever pages for exploded view of Hydraulic Line kits
3. SRAM Tool Bleeding Edge needed to bleed S4 calipers

## CALIPER SPARES

No.	Part Number	Description
1	11.5018.020.006	Caliper Piston Kit (includes 2-16mm & 2-14mm caliper pistons, seals & orings) - Guide R, RS, RSC (A1-B1)
2	11.5018.021.009	Caliper Hardware Kit (includes stainless body bolt, banjo bolt, bleed screw, pad pin) S4 Caliper - GUIDE RSC(B1)
3	11.5018.033.000	Pad Pin Kit, Stainless Steel, Qty 2 S4 Caliper - Guide Ultimate/RSC (B1)/RS(B1)/R(B1)
4	11.5018.008.033	Caliper Assembly Standard (non-CPS) Black Anodized (assembled, no hose) - GUIDE RSC (B1)
4	11.5018.008.034	Caliper Assembly Standard (non-CPS) Silver Anodized (assembled, no hose) - GUIDE RSC (B1)

## BRAKE PADS

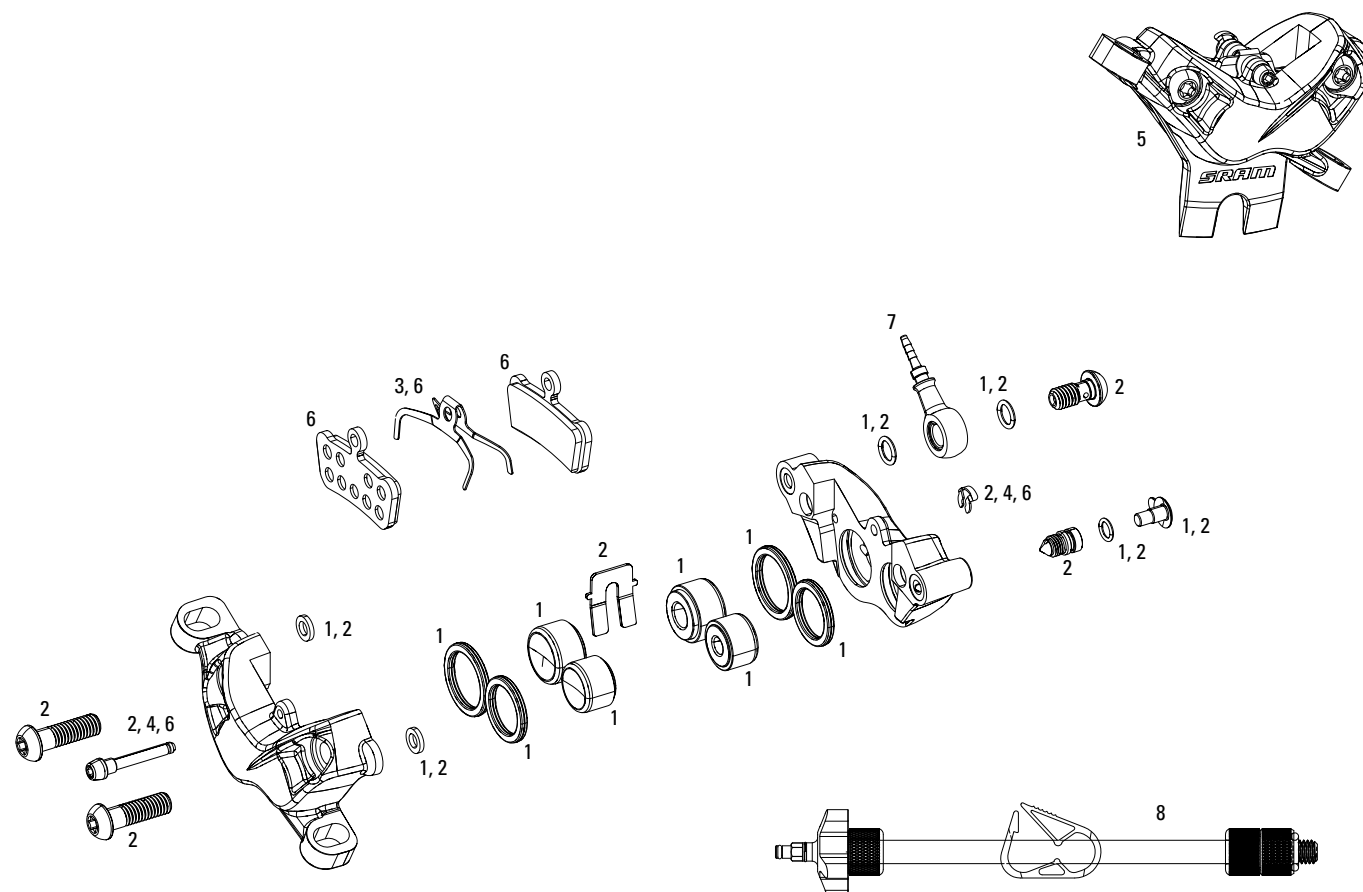
5	00.5318.003.003	Disc Brake Pads Organic/Alum, (1 set) - Trail/Guide
5	00.5318.003.004	Disc Brake Pads Organic/Steel, (1 set) - Trail/Guide
5	00.5318.003.005	Disc Brake Pads Sintered/Steel, (1 set) - Trail/Guide

## HYDRAULIC LINES & FITTINGS

6	00.5016.168.150	Hydraulic Line Kit - S4 Caliper - Guide Ultimate/Guide RSC (B1)/Guide RS(B1)/Guide R (B1), 2000mm, Black, Qty 1
6	00.5016.168.160	Hydraulic Line Kit - S4 Caliper - Guide Ultimate/Guide RSC (B1)/Guide RS(B1)/Guide R (B1), 2000mm, White, Qty 1
ns	11.5309.766.000	Hydraulic Disc Brake Compression Hose Nut, Qty 5
ns	11.5378.803.002	Hydraulic Disc Brake Hose Fitting Kit (includes 5 threaded hosebarbs, 5 red comp fittings, 1 T8 Torx) Qty 5
ns	11.5378.803.003	Hydraulic Disc Brake Hose Fitting Kit (includes 50 threaded hosebarbs, 50 red comp fittings, 1 T8 Torx) Qty 50

## TOOLS

7	00.5318.015.001	SRAM Tool Bleeding Edge (works with Avid/SRAM Pro Bleed Kits) -S4/Monoblock Calipers, Guide Ultimate/RSC (B1)/RS (B1)/R (B1)/Level Ult/Level TLM
---	-----------------	--



## NOTES:

1. See lever pages for exploded view of Hydraulic Line kits
2. SRAM Tool Bleeding Edge needed to bleed GUIDE Ultimate brakes
3. Banjo only available in the Hydraulic Line Kit as it has a crimp factory fitting to attach it to the hose

## CALIPER SPARES

No.	Part Number	Description
1	11.5018.020.002	Caliper Piston Kit (includes 2-16mm & 2-14mm Aluminum caliper pistons, seals & O-rings) - Guide Ultimate
2	11.5018.021.003	Caliper Hardware Kit (includes Ti body bolts, Ti banjo bolt, bleed screw, pad pin) S4 Caliper - GUIDE Ultimate
3	11.5018.006.001	Pad Spreader Guide Ultimate Qty 2
4	11.5018.033.000	Pad Pin Kit, Stainless Steel, Qty 2 S4 Caliper - Guide Ultimate/RSC (B1)/RS(B1)/R(B1)
5	11.5018.008.024	Caliper Assembly Standard (non-CPS) Artic Grey (assembled, no hose) - Guide Ultimate
5	11.5018.008.025	Caliper Assembly Standard (non-CPS) Black Anodized (assembled, no hose) - Guide Ultimate

## BRAKE PADS

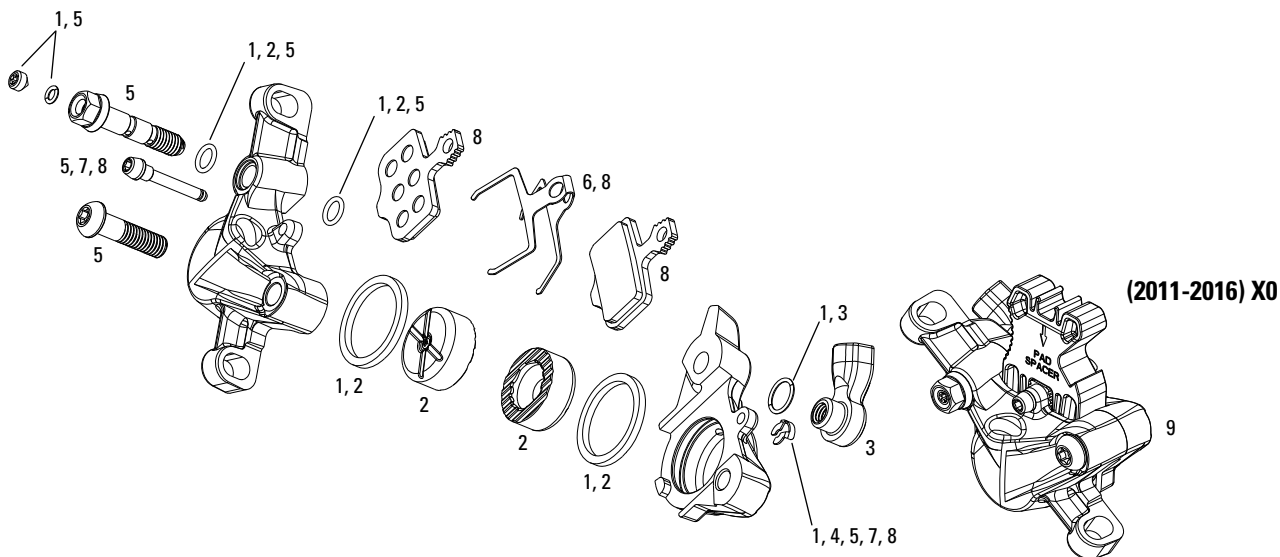
6	00.5318.003.003	Disc Brake Pads Organic/Alum, (1 set) - Trail/Guide
6	00.5318.003.004	Disc Brake Pads Organic/Steel, (1 set) - Trail/Guide
6	00.5318.003.005	Disc Brake Pads Sintered/Steel, (1 set) - Trail/Guide

## HYDRAULIC LINES & FITTINGS

7	00.5016.168.150	Hydraulic Line Kit - S4 Caliper - Guide Ultimate/Guide RSC (B1)/Guide RS(B1)/Guide R (B1), 2000mm, Black, Qty 1
7	00.5016.168.160	Hydraulic Line Kit - S4 Caliper - Guide Ultimate/Guide RSC (B1)/Guide RS(B1)/Guide R (B1), 2000mm, White, Qty 1
ns	11.5309.766.000	Hydraulic Disc Brake Compression Hose Nut, Qty 5
ns	11.5378.803.002	Hydraulic Disc Brake Hose Fitting Kit (includes 5 threaded hosebarbs, 5 red comp fittings, 1 T8 Torx) Qty 5
ns	11.5378.803.003	Hydraulic Disc Brake Hose Fitting Kit (includes 50 threaded hosebarbs, 50 red comp fittings, 1 T8 Torx) Qty 50

## TOOLS

8	00.5318.015.001	SRAM Tool Bleeding Edge (works with Avid/SRAM Pro Bleed Kits) -S4/Monoblock Calipers, Guide Ultimate/RSC (B1)/RS (B1)/R (B1)/Level Ult/Level TLM
---	-----------------	--



## NOTES:

1. See lever pages for exploded view of Hydraulic Line kits

## CALIPER SPARES

No.	Part Number	Description
1	11.5015.031.000	Elixir Caliper Service Kit, Qty 1
2	11.5015.032.000	Elixir Caliper Piston Kit, Qty 1
3	11.5015.060.020	Banjo Kit, Black, Qty 1 -Elixir R/CR/CR Mag/X0/Elixir 9/Elixir 7/Guide R,RS,RSC
5	11.5015.033.030	X0 Caliper Hardware Kit (stainless torx - banjo bolt, caliper bolt, pad pin)
6	11.5015.035.000	Elixir/DB Pad Spreader Kit, Qty 2
7	11.5015.036.010	Pad Pin Kit, Silver, Steel, Qty 2 - Elixir/Code/Guide R,RE,RS,RSC
9	11.5015.037.210	Caliper Assembly (CPS) Red/Black - X0 (assembled, no hose)
9	11.5015.037.230	Caliper Assembly (CPS) Black/Black - X0 (assembled, no hose)
9	11.5018.008.006	Caliper Assembly X0 Standard (non-CPS) Black/Red (assembled,no hose) 2013-2016
9	11.5018.008.007	Caliper Assembly X0 Standard (non-CPS) Black/Black (assembled, no hose) 2013-2016
9	11.5018.008.008	Caliper Assembly X0 Standard (non-CPS) Polished Silver (assembled, no hose) 2013-2016

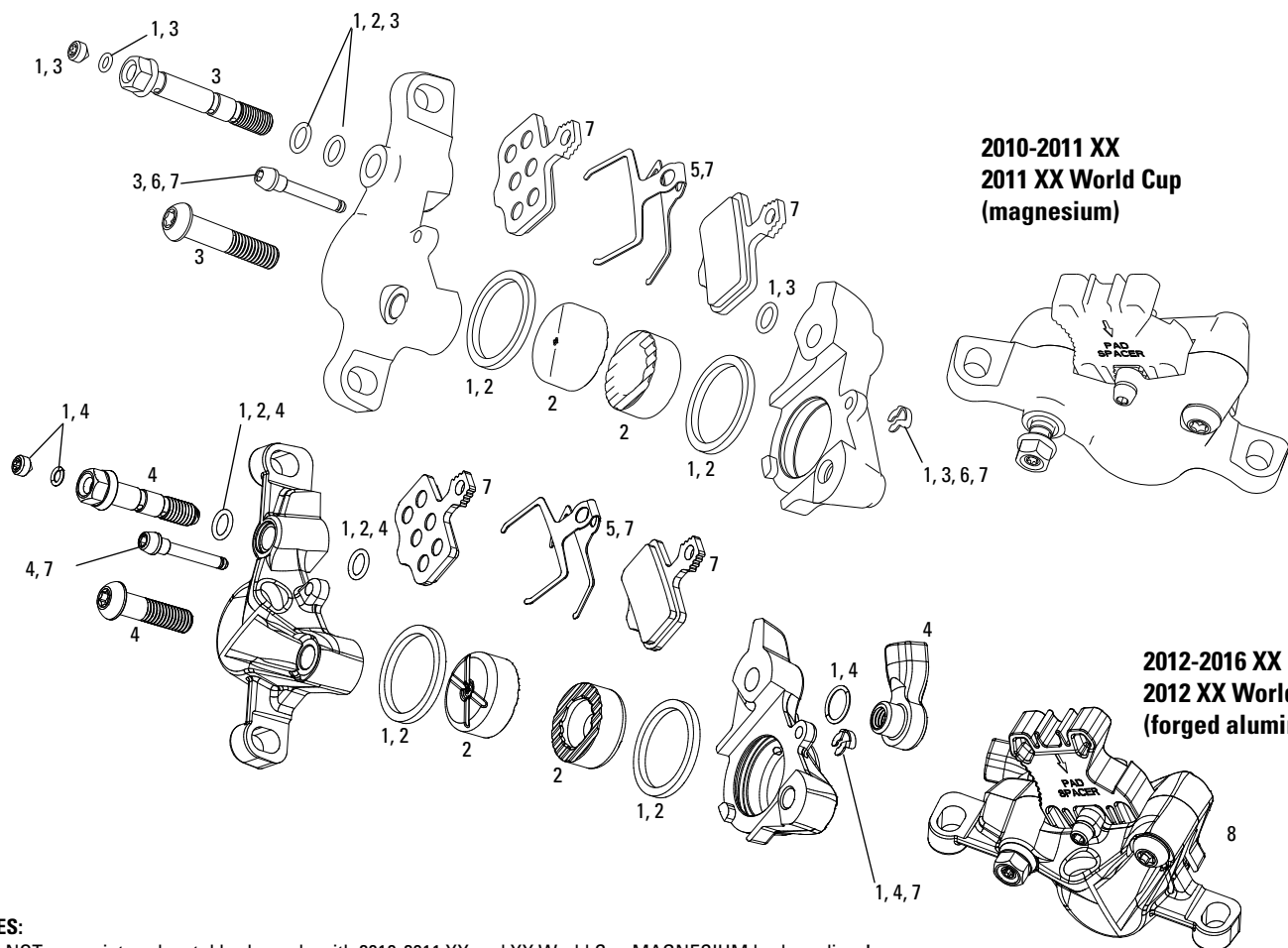
## BRAKE PADS

8	00.5315.035.010	Disc Brake Pads Metal Sintered/Steel - Elixir/DB/Level TL/Level T/Level
8	00.5315.035.020	Disc Brake Pads Organic/Alum - Elixir/DB/Level TL/Level T/Level
8	00.5315.035.030	Disc Brake Pads Organic/Steel - Elixir/DB/Level TL/Level T/Level

## HYDRAULIC LINES & FITTINGS

ns	00.5016.168.050	Hydraulic Line Kit - Elixir 5, Elixir 7, Elixir 9, Elixir R,Elixir CR, Elixir X0, Elixir CR Mag, 2000mm, Stainless, Black, Qty 1
ns	00.5016.168.060	Hydraulic Line Kit - Elixir 5, Elixir 7, Elixir 9, Elixir R,Elixir CR, Elixir X0, Elixir CR Mag, 2000mm, Stainless, White, Qty 1
ns	11.5309.766.000	Hydraulic Disc Brake Compression Hose Nut, Qty 5
ns	11.5378.803.002	Hydraulic Disc Brake Hose Fitting Kit (includes 5 threaded hosebarbs, 5 red comp fittings, 1 T8 Torx) Qty 5
ns	11.5378.803.003	Hydraulic Disc Brake Hose Fitting Kit (includes 50 threaded hosebarbs, 50 red comp fittings, 1 T8 Torx) Qty 50

# XX / XX WORLD CUP - HYDRAULIC DISC BRAKE - CALIPERS (2010-2016)



**2010-2011 XX  
2011 XX World Cup  
(magnesium)**

**2012-2016 XX  
2012 XX World Cup  
(forged aluminum)**

**NOTES:**

- 1. Do NOT use sintered metal brake pads with 2010-2011 XX and XX World Cup MAGNESIUM brake caliper!
- 2. See lever pages for exploded view of Hydraulic Line kits

## CALIPER SPARES

No.	Part Number	Description
1	11.5015.031.000	Elixir Caliper Service Kit, Qty 1
2	11.5015.032.000	Elixir Caliper Piston Kit, Qty 1
4	11.5015.033.070	XX Caliper Hardware Kit, Ti, Qty 1 (banjo bolt, caliper bolt, pad pin) 2012-2016
5	11.5015.035.000	Elixir/DB Pad Spreader Kit, Qty 2
8	11.5015.037.360	Caliper Assembly (assembled, no hose) - XX World Cup 2012-2013
8	11.5015.037.350	Caliper Assembly (assembled, no hose) - XX 2012-2016

## BRAKE PADS

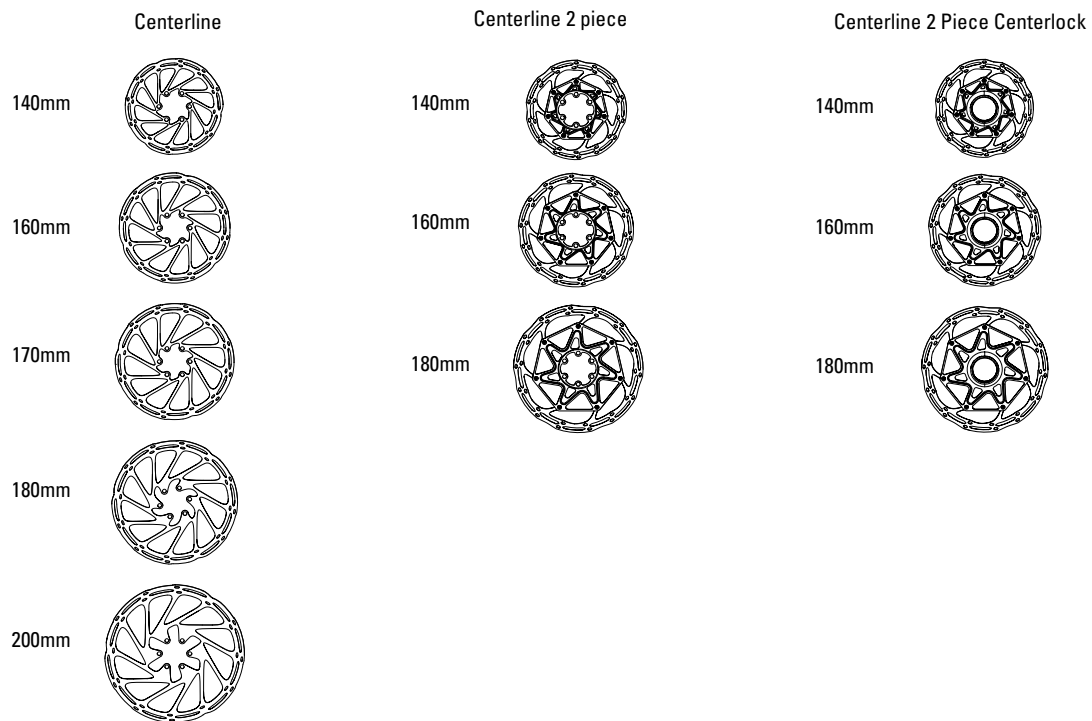
7	00.5315.035.010	Disc Brake Pads Metal Sintered/Steel - Elixir/DB/Level TL/Level T/Level
7	00.5315.035.020	Disc Brake Pads Organic/Alum - Elixir/DB/Level TL/Level T/Level
7	00.5315.035.030	Disc Brake Pads Organic/Steel - Elixir/DB/Level TL/Level T/Level

## HYDRAULIC LINES 2010-2011 XX and XX WORLD CUP CALIPER

ns	00.5016.168.030	Hydraulic Line Kit - XX, Juicy Ultimate, Juicy 7, Juicy 5, 2000mm, Aluminum Banjo, Black, Qty 1
ns	00.5016.168.040	Hydraulic Line Kit - XX, Juicy Ultimate, Juicy 7, Juicy 5, 2000mm, Aluminum Banjo, White, Qty 1

## HYDRAULIC LINES 2012-2016 XX and 2012 XX WORLD CUP CALIPER

ns	00.5016.168.050	Hydraulic Line Kit - Elixir 5, Elixir 7, Elixir 9, Elixir R, Elixir CR, Elixir X0, Elixir CR Mag, 2000mm, Stainless, Black, Qty 1
ns	00.5016.168.060	Hydraulic Line Kit - Elixir 5, Elixir 7, Elixir 9, Elixir R, Elixir CR, Elixir X0, Elixir CR Mag, 2000mm, Stainless, White, Qty 1



**NOTES:**

1. All rotors pictured are for reference; available if listed below.

Part Number	Description
00.5018.037.000	Rotor Centerline 140mm
00.5018.037.001	Rotor Centerline 160mm
00.5018.037.002	Rotor Centerline 170mm
00.5018.037.003	Rotor Centerline 180mm
00.5018.037.004	Rotor Centerline 200mm
00.5018.037.005	Rotor Centerline 2 Piece 140mm Black (includes Ti rotor bolts)
00.5018.037.006	Rotor Centerline 2 Piece 160mm Black (includes Ti rotor bolts)
00.5018.037.007	Rotor Centerline 2 Piece 180mm Black (includes Ti rotor bolts)
00.5018.037.008	Rotor Centerline 2 Piece CenterLock 140mm Black
00.5018.037.009	Rotor Centerline 2 Piece CenterLock 160mm Black
00.5018.037.010	Rotor Centerline 2 Piece CenterLock 180mm Black
11.5363.012.300	Rotor Bolt Kit (Qty 6)
11.5315.043.000	Rotor Bolt Kit, Ti (Qty 6)
11.5315.040.000	AVID Rotor/Hub Shim



## SRAM Disc Brake Caliper Mounting Bracket and Spacer Configurations

Use the chart below to identify the parts you intend to use, then reference the chart on the reverse side to determine the correct bracket and/or spacers. Consult your retailer for the proper rotor sizes for your bicycle.

### Fork/Frame Mount

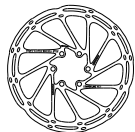
The mounting specification is determined by the fork/frame manufacturer and is not a reference to the rotor size. Consult your manufacturer for the proper mounting specification.

<b>Fork</b>	140 Post (road)
	160 IS
	160 Post
	200 Post (BoXXer 27.5)
	203 Post (Totem)

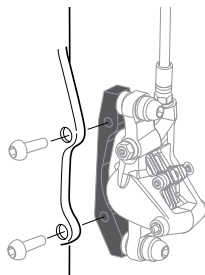
<b>Frame</b>	140 IS
	140 Post
	160 Post
	180 Post

### Rotor Size (mm)

140, 160, 170, 180, 200, or 203



### IS Mount

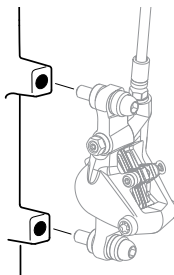


#### IS Bracket (IS)

Converts IS to Post Mount, required for all IS frames/forks.



### Post Mount



#### Direct Mount (Direct)

No bracket or spacers needed.

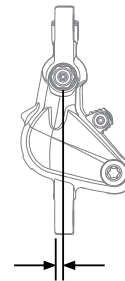
#### Post Brackets (P)



#### Post Spacers (S)



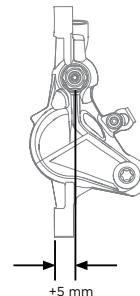
### CPS



#### Inline tabs

CPS washers are needed between caliper and mount.

### Standard



#### Offset tabs

No CPS washers are needed between caliper and mount (unless otherwise specified).

### ⚠ WARNING - CRASH HAZARD



There must be 9-13 mm of mounting bolt thread engagement when mounting brake calipers to forks and frames either with or without brackets and/or spacers. Riding a bike with improper bolt engagement can allow the brakes to disengage from the bicycle, which can lead to a crash and serious injury or death to the rider.

95-5018-000-000 Rev B

www.sram.com © 2013 SRAM LLC

### Notes:

#### Forks explained

- 140 Post (Road)
- 160 IS (Mountain)
- 160 Post (BoXXer 26" and Current Mountain)
- 200 Post (BoXXer 27.5")
- 203 Post (Totem)



## Disc Brake Caliper Mounting Bracket and Spacer Configurations

Fork/Frame	Rotor Size (mm)						
	140 mm	160 mm	170 mm	180 mm	185 mm	200 mm	203 mm
140 IS	0 IS	20 IS	30 IS	40 IS	45 IS	60 IS	-
140 Post	0 Direct	20 S/20 P*	30 P	40 P	-	-	-
160 IS	-	0 IS	-	20 IS	25 IS	40 IS	-
160 Post	-	Direct	10 S	20 S/20 P*	25 S	40 P	-
180 Post	-	-	-	Direct	-	20 S/20 P*	-
200 Post (BXR 27)	-	-	-	-	-	Direct	3 S
203 Post (Totem)	-	-	-	-	-	-	Direct

\*20 P is only available on products from the Original Equipment bicycle Manufacturer (OEM)

### CPS: GUIDE RE, CODE R, E9, E7, E5, E3, BB7, BB5, BB3, JUICY & (XX, XO PRE 2013)

Direct	10 S	20 S/20 P*	25 S	30 P	40 P	IS
Upper Bolt: 29 mm	Upper Bolt: 37.5 mm	Upper Bolt: 43 mm	Upper Bolt: 46 mm	Upper Bolt: 50 mm	Upper Bolt: 29 mm	Upper Bolt: 29 mm
Upper Spacer: N/A	Upper Spacer: 12.5 mm	Upper Spacer: 17.5 mm (20 P: N/A)	Upper Spacer: 20.5 mm	Upper Spacer: N/A	Upper Spacer: N/A	Upper Spacer: N/A
Lower Bolt: 29 mm	Lower Bolt: 32 mm	Lower Bolt: 37.5 mm	Lower Bolt: 40.5 mm	Lower Bolt: 43 mm	Lower Bolt: 29 mm	Lower Bolt: 29 mm
Lower Spacer: N/A	Lower Spacer: 7.5 mm	Lower Spacer: 12.5 mm (20 P: N/A)	Lower Spacer: 15 mm	Lower Spacer: N/A	Lower Spacer: N/A	Lower Spacer: N/A
Direct Post Mount	10 Post Spacer	20 Post Spacer/20 Post Bracket	25 Post Spacer	30 Post Bracket	40 Post Bracket	0 IS, 20 IS, 30 IS, 40 IS, 60 IS

### Standard: GUIDE, LEVEL, TRAIL, DB, ROAD HYDRAULIC & (XX, XO & E1 2013+)

Direct	3 S	10 S	20 S/20 P*	25 S	30 P	40 P	IS
Upper Bolt: 16.8 mm	Upper Bolt: TBD mm	Upper Bolt: 24 mm	Upper Bolt: 37.5 mm	Upper Bolt: 43 mm	Upper Bolt: 46 mm	Upper Bolt: 16.8 mm	Upper Bolt: 16.8 mm
Upper Spacer: N/A	Upper Spacer: TBD mm	Upper Spacer: 6 mm	Upper Spacer: 12.5 mm (20 P: N/A)	Upper Spacer: 17.5 mm	Upper Spacer: N/A	Upper Spacer: N/A	Upper Spacer: N/A
Lower Bolt: 16.8 mm	Lower Bolt: TBD mm	Lower Bolt: 24 mm	Lower Bolt: 32 mm	Lower Bolt: 37.5 mm	Lower Bolt: 37.5 mm	Lower Bolt: 16.8 mm	Lower Bolt: 16.8 mm
Lower Spacer: N/A	Lower Spacer: TBD mm	Lower Spacer: 6 mm	Lower Spacer: 7.5 mm (20 P: N/A)	Lower Spacer: 10 mm	Lower Spacer: N/A	Lower Spacer: N/A	Lower Spacer: N/A
Direct Post Mount	3 Post Spacer	10 Post Spacer	20 Post Spacer/20 Post Bracket	25 Post Spacer	30 Post Bracket	40 Post Bracket	0 IS, 20 IS, 30 IS, 40 IS, 60 IS

95-5018-000-000

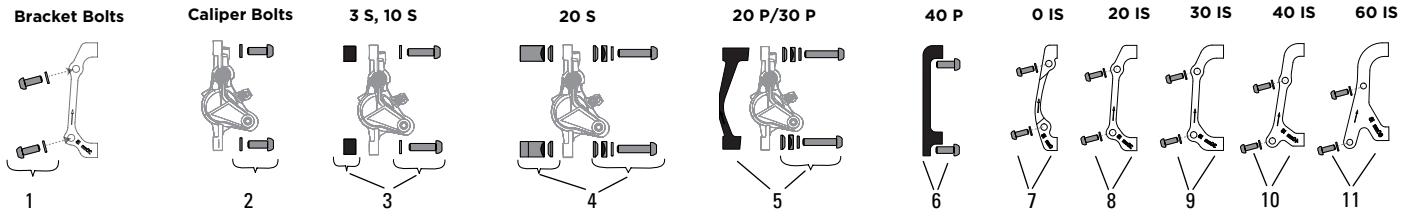
www.sram.com © 2013 SRAM LLC



# MOUNTING BRACKETS & TOWERS/SPACERS / HARDWARE

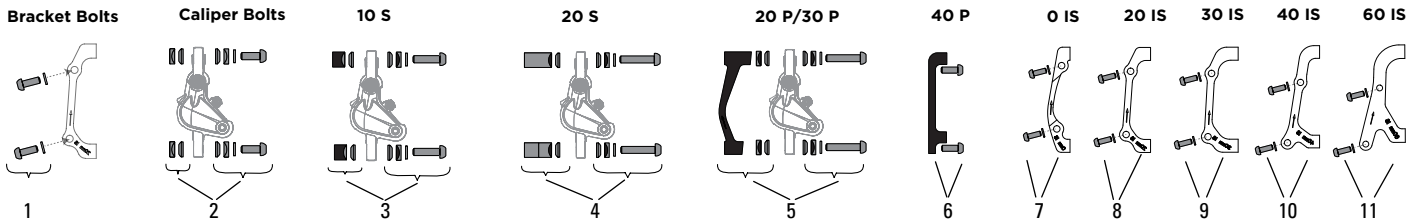


## Standard: GUIDE, LEVEL TRAIL, DB, Road Hydraulic & (XX, XO & E1 2013 +)



No.	Part Number	Description
1	00.5318.005.000	Bracket Mounting Bolts - Stainless (2 pcs)
1	00.5318.005.001	Bracket Mounting Bolts - Titanium T25 (2 pcs)
2	00.5318.006.000	Caliper Mounting Hardware (also Direct Mount) Stainless - Includes Caliper Mounting Bolts & washers (CPS & Standard)
2	00.5318.006.001	Caliper Mounting Hardware (also Direct Mount) Titanium T25 - Includes Caliper Mounting Bolts & washers (Standard)
3	00.5318.008.005	Post Spacer Set - 20 S (Front 180/Rear 160), Includes Titanium T25 Caliper Mounting Bolts (CPS)
3	00.5318.008.000	Post Spacer Set - 10 S (Front 170), Includes Stainless Caliper Mounting Bolts (CPS & Standard)
3	00.5318.008.001	Post Spacer Set - 10 S (Front 170), Includes Titanium T25 Caliper Mounting Bolts (Standard)
4	00.5318.008.003	Post Spacer Set - 20 S (Front 180/Rear 160), Includes Stainless Caliper Mounting Bolts (CPS & Standard)
4	00.5318.008.004	Post Spacer Set - 20 S (Front 180/Rear 160), Includes Titanium T25 Caliper Mounting Bolts (Standard)
4	00.5318.008.005	Post Spacer Set - 20 S (Front 180/Rear 160), Includes Titanium T25 Caliper Mounting Bolts (CPS)
5	00.5318.007.004	Post Bracket - 20 P (Front 180/Rear 160), Includes Stainless Caliper Mounting Bolts (CPS & Standard)
5	00.5318.007.001	Post Bracket - 30 P (Rear 170), Includes Titanium T25 Caliper Mounting Bolts (Standard)
6	00.5318.007.003	Post Bracket - 40 P (Front 200/Rear 180), Includes Stainless Bracket Mounting Bolts
7	00.5318.009.000	IS Bracket - 0 IS (Front 160/Rear 140) Includes Stainless Bracket Mounting Bolts
8	00.5318.009.001	IS Bracket - 20 IS (Front 180/Rear 160) Includes Stainless Bracket Mounting Bolts
9	00.5318.009.002	IS Bracket - 30 IS (Rear 170) Includes Stainless Bracket Mounting Bolts
10	00.5318.009.003	IS Bracket - 40 IS (Front 200/Rear 180) Includes Stainless Bracket Mounting Bolts
11	00.5318.009.004	IS Bracket - 60 IS (Rear 200) Includes Stainless Bracket Mounting Bolts

## CPS: GUIDE RE, Code, Code R, XO, E9, E7, E5, E3, BB7, BB5, JUICY & (XX, XO & E1 PRE 2013)

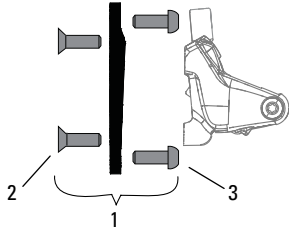


No.	Part Number	Description
1	00.5318.005.000	Bracket Mounting Bolts - Stainless (2 pcs)
1	00.5318.005.001	Bracket Mounting Bolts - Titanium T25 (2 pcs)
2	00.5318.006.000	Caliper Mounting Hardware (also Direct Mount) Stainless - Includes Caliper Mounting Bolts & washers (CPS & Standard)
2	00.5318.006.002	Caliper Mounting Hardware (also Direct Mount) Titanium T25 CPS - Includes Caliper Mounting Bolts & washers (CPS)
3	00.5318.008.000	Post Spacer Set - 10 S (Front 170), Includes Stainless Caliper Mounting Bolts (CPS & Standard)
3	00.5318.008.002	Post Spacer Set - 10 S (Front 170), Includes Titanium T25 Caliper Mounting Bolts (CPS)
4	00.5318.008.003	Post Spacer Set - 20 S (Front 180/Rear 160), Includes Stainless Caliper Mounting Bolts (CPS & Standard)
4	00.5318.008.005	Post Spacer Set - 20 S (Front 180/Rear 160), Includes Titanium T25 Caliper Mounting Bolts (CPS)
5	00.5318.007.004	Post Bracket - 20 P (Front 180/Rear 160), Includes Stainless Caliper Mounting Bolts (CPS & Standard)
5	00.5318.007.000	Post Bracket - 30 P (Rear 170), Includes Stainless Caliper Mounting Bolts (CPS & Standard)
5	00.5318.007.002	Post Bracket - 30 P (Rear 170), Includes Titanium T25 Caliper Mounting Bolts (CPS)
6	00.5318.007.003	Post Bracket - 40 P (Front 200/Rear 180), Includes Stainless Bracket Mounting Bolts
7	00.5318.009.000	IS Bracket - 0 IS (Front 160/Rear 140) Includes Stainless Bracket Mounting Bolts
8	00.5318.009.001	IS Bracket - 20 IS (Front 180/Rear 160) Includes Stainless Bracket Mounting Bolts
9	00.5318.009.002	IS Bracket - 30 IS (Rear 170) Includes Stainless Bracket Mounting Bolts
10	00.5318.009.003	IS Bracket - 40 IS (Front 200/Rear 180) Includes Stainless Bracket Mounting Bolts
11	00.5318.009.004	IS Bracket - 60 IS (Rear 200) Includes Stainless Bracket Mounting Bolts

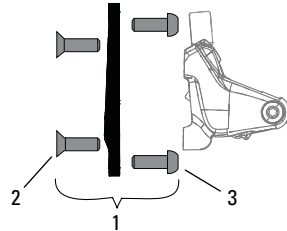
### NOTES:

1. CPS = Caliper Positioning System. CPS caliper requires CPS hardware
2. Non-CPS/Standard caliper requires non-CPS/Standard hardware.
3. 170mm (Fork-10S, Frame-30P), 180mm (Fork-20P/20IS, Frame-40P/40IS), 200mm (Fork-40P/40IS, Frame-60IS)

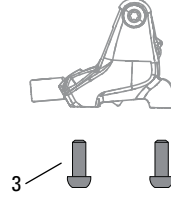
# FLAT MOUNT ROAD



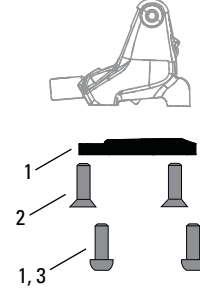
**Front Flat 0F**



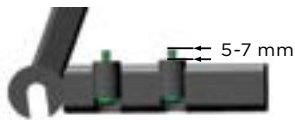
**Front Flat 20F**



**Rear Flat Direct**



**Rear Flat 20F**



**NOTES:**

1. There must be 5-7 mm of mounting bolt thread engagement when mounting brake calipers to forks and frames with flatmount hardware and brackets.

## BRACKETS

No.	Part Number	Description
1	00.5318.018.000	Flat Mount Bracket Front - 0F/20F (Front 140/Front 160), Includes 2 Stainless Bracket & Caliper Mounting Bolts
1	00.5318.018.001	Flat Mount Bracket Rear - 20F(Rear 160), Includes 2 Stainless Bracket Mounting Bolts

## CALIPER MOUNTING BOLTS

2	00.5318.006.003	Caliper Mounting Hardware Stainless T25 5mm (2 pcs) - Flat Mount Caliper
2	00.5318.006.004	Caliper Mounting Hardware Titanium T25 5mm (2 pcs) - Flat Mount Caliper

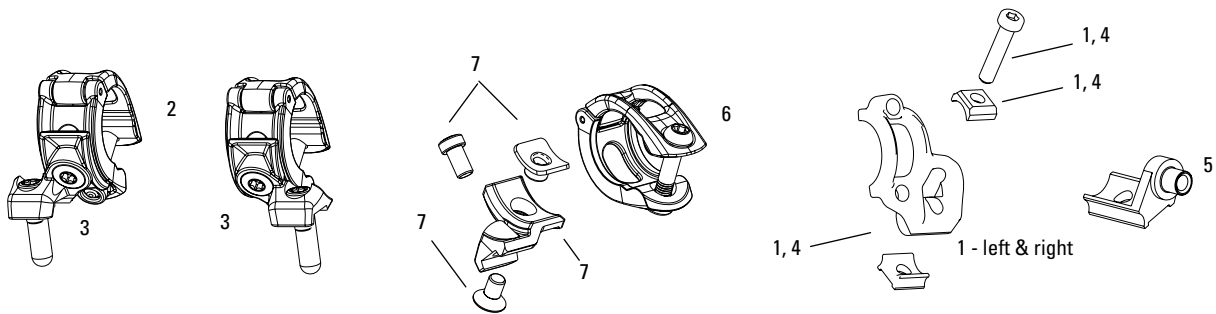
## BRACKET MOUNTING BOLTS

3	00.5318.005.002	Bracket Mounting Bolts - Stainless T25 15mm (2 Pcs) - Flat Mount Caliper
3	00.5318.005.003	Bracket Mounting Bolts - Titanium T25 15mm (2 Pcs) - Flat Mount Caliper
3	00.5318.005.004	Bracket Mounting Bolts - Stainless T25 27mm (2 Pcs) - Flat Mount Caliper
3	00.5318.005.005	Bracket Mounting Bolts - Titanium T25 27mm (2 Pcs) - Flat Mount Caliper
3	00.5318.005.006	Bracket Mounting Bolts - Stainless T25 32mm (2 Pcs) - Flat Mount Caliper
3	00.5318.005.007	Bracket Mounting Bolts - Titanium T25 32mm (2 Pcs) - Flat Mount Caliper
3	00.5318.005.008	Bracket Mounting Bolts - Stainless T25 37mm (2 Pcs) - Flat Mount Caliper
3	00.5318.005.009	Bracket Mounting Bolts - Titanium T25 37mm (2 Pcs) - Flat Mount Caliper
3	00.5318.005.010	Bracket Mounting Bolts - Stainless T25 42mm (2 Pcs) - Flat Mount Caliper
3	00.5318.005.011	Bracket Mounting Bolts - Titanium T25 42mm (2 Pcs) - Flat Mount Caliper

# MATCHMAKER / BRAKE PADS / HYDRAULIC LINES & FITTINGS

## MATCHMAKER / MATCHMAKER X

No.	Part Number	Description
1	00.5315.006.000	Matchmaker Pair
2	00.5315.018.030	MatchMaker X, Pair, Black (compatible with all SRAM MM-compatible shifters)- Guide, Level, DB5 Elixir 9/7/CR Mag/X0/ XX
3	00.5315.018.040	MatchMaker X, Single Left, Black (compatible with all SRAM MM-compatible shifters)- Guide, Level, DB5 Elixir 9/7/CR Mag/X0/ XX
3	00.5315.018.050	MatchMaker X, Single Right, Black (compatible with all SRAM MM-compatible shifters)- Guide, Level, DB5 Elixir 9/7/CR Mag/X0/ XX
4	11.5315.039.000	Matchmaker Hardware Kit
5	11.4315.007.000	PushLoc / Match Maker / Trigger Adaptor Knuckle (L & R)
6	11.5315.048.050	MMX Clamp, Silver, Lever (Stainless Steel Bolt T25) - Guide, Level, DB5 Elixir 9/7/CR Mag/X0/ XX, Qty 1
6	11.5315.048.060	MMX Clamp, Silver, Lever (Ti Bolt T25) - Guide, Level, DB5 Elixir 9/7/CR Mag/X0/ XX, Qty 1
6	11.5315.048.070	MMX Clamp, Black, Lever (Stainless Steel Bolt T25) - Guide, Level, DB5 Elixir 9/7/CR Mag/X0/ XX, Qty 1
6	11.5315.048.080	MMX Clamp, Black, Lever (Ti Bolt T25) - Guide, Level, DB5 Elixir 9/7/CR Mag/X0/ XX, Qty 1
7	11.5315.049.010	MMX/Shifter Mounting Bracket, Left - Elixir CR Mag/X0/XX, Stainless Hardware
7	11.5315.049.020	MMX/Shifter Mounting Bracket, Right - Elixir CR Mag/X0/XX, Stainless Hardware



## BRAKE PADS

00.5315.023.010	Disc Brake Pads Metal Sintered/Steel - Code 2011+/ Guide RE
00.5315.023.020	Disc Brake Pads Organic/Alum - Code 2011+/ Guide RE
00.5315.023.030	Disc Brake Pads Organic/Steel - Code 2011+/ Guide RE
00.5315.035.010	Disc Brake Pads Metal Sintered/Steel - Elixir/DB/Level TL/Level T/Level
00.5315.035.020	Disc Brake Pads Organic/Alum - Elixir/DB/Level TL/Level T/Level
00.5315.035.030	Disc Brake Pads Organic/Steel - Elixir/DB/Level TL/Level T/Level
00.5318.003.003	Disc Brake Pads Organic/Alum, (1 set) - Trail/Guide
00.5318.003.004	Disc Brake Pads Organic/Steel, (1 set) - Trail/Guide
00.5318.003.005	Disc Brake Pads Sintered/Steel, (1 set) - Trail/Guide
00.5318.010.002	Disc Brake Pads Organic/Steel (includes guide pin, clip & pad spreader) - SRAM Hydraulic Road Disc, Level Ultimate/TLM
00.5318.010.003	Disc Brake Pads Organic/Aluminum (includes guide pin, clip & pad spreader) - SRAM Hydraulic Road Disc, Level Ultimate/TLM
00.5318.010.004	Disc Brake Pads Sintered/Steel (includes guide pin, clip & pad spreader) - SRAM Hydraulic Road Disc, Level Ultimate/TLM

## HYDRAULIC LINES & FITTINGS

00.5016.168.010	Hydraulic Line Kit - Code/Code R/Elixir 3/Elixir 1/Juicy 3/DB 3/DB 1/Level T/Level/Guide RE, 2000mm, Black, Qty 1
00.5016.168.020	Hydraulic Line Kit - Code/Code R/Elixir 3/Elixir 1/Juicy 3/DB 3/DB 1/Level T/Level/Guide RE, 2000mm, White, Qty 1
00.5016.168.030	Hydraulic Line Kit - XX, Juicy Ultimate, Juicy 7, Juicy 5, 2000mm, Aluminum Banjo, Black, Qty 1
00.5016.168.040	Hydraulic Line Kit - XX, Juicy Ultimate, Juicy 7, Juicy 5, 2000mm, Aluminum Banjo, White, Qty 1
00.5016.168.050	Hydraulic Line Kit - Elixir 5, Elixir 7, Elixir 9, Elixir R, Elixir CR, Elixir X0, Elixir CR Mag, 2000mm, Stainless, Black, Qty 1
00.5016.168.060	Hydraulic Line Kit - Elixir 5, Elixir 7, Elixir 9, Elixir R, Elixir CR, Elixir X0, Elixir CR Mag, 2000mm, Stainless, White, Qty 1
00.5016.168.130	Hydraulic Line Kit - Guide RSC/Guide RS/Guide R/DB5/Level TL, 2000mm, Stainless, Black, Qty 1
00.5016.168.140	Hydraulic Line Kit - Guide RSC/Guide RS/Guide R/DB5/Level TL, 2000mm, Stainless, White, Qty 1
00.5016.168.150	Hydraulic Line Kit - S4 Caliper - Guide Ultimate/Guide RSC (B1)/Guide RS(B1)/Guide R (B1), 2000mm, Black, Qty 1
00.5016.168.160	Hydraulic Line Kit - S4 Caliper - Guide Ultimate/Guide RSC (B1)/Guide RS(B1)/Guide R (B1), 2000mm, White, Qty 1
00.5016.168.170	Hydraulic Line Kit - Monoblock, 2000mm, Black, Qty 1 - LevelUltimate, Level TLM
00.5318.011.001	Disc Brake Hydraulic Hose Kit SRAM Road Black 2000mm (includes caliper banjo & fittings)
00.5318.011.002	Rim Brake Hydraulic Hose Kit SRAM Road Black 2000mm (includes caliper banjo & fittings)
00.5318.011.003	Disc Brake Hydraulic Hose Kit SRAM Road Black 2000mm (includes caliper banjo & fittings) - Flat Mount Calipers
11.5378.803.002	Hydraulic Disc Brake Hose Fitting Kit (includes 5 threaded hosebarbs, 5 red comp fittings, 1 T8 Torx) Qty 5
11.5378.803.003	Hydraulic Disc Brake Hose Fitting Kit (includes 50 threaded hosebarbs, 50 red comp fittings, 1 T8 Torx) Qty 50
11.5309.766.000	Hydraulic Disc Brake Compression Hose Nut, Qty 5

## BLEED KITS / TOOLS / BRAKE FLUID / GREASE

### BLEED KITS & FITTINGS

Part Number	Description
-------------	-------------

00.5318.016.000	Standard Brake Bleed Kit (includes 2 syringes/fittings, bleed blocks, Torx tool, Crow's foot, Bleeding Edge Fitting, DOT5.1 hydraulic fluid) - SRAM X0, XX, Guide, HydroR
00.5318.016.001	Standard Brake Bleed Kit (includes 2 syringes/fittings, bleed blocks, Torx tool, Crow's foot, Bleeding Edge Fitting) - SRAM X0, XX, Guide, HydroR
00.5318.016.002	Pro Brake Bleed Kit (includes 2 syringes/fittings, bleed blocks, Torx tool, Crow's foot, Bleeding Edge Fitting, DOT 5.1hydraulic fluid) - SRAM X0/XX/ Guide/Level/HydroR
00.5318.016.003	Pro Brake Bleed Kit (includes 2 syringes/fittings, bleed blocks, Torx tool, Crow's foot, Bleeding Edge Fitting) - SRAM X0/ XX/ Guide/Level/HydroR
00.5318.015.001	SRAM Tool Bleeding Edge (works with Avid/SRAM Pro Bleed Kits) -S4/Monoblock Calipers, Guide Ultimate/RSC (B1)/RS (B1)/R (B1)/Level Ult/Level TLM
11.5378.801.000	Bleed Kit Hose Clamp Quantity 10
11.5315.053.010	O-ring Kit - Pro Bleed Syringe - Fitting O-ring and CouplingO-ring - Qty 2 each
11.5315.053.020	O-ring Kit - Pro Bleed Syringe - Fitting O-ring and CouplingO-ring - Qty 10 each
11.5315.053.030	O-ring Kit - Pro Bleed Syringe - Fitting O-ring and CouplingO-ring - Qty 20 each

### BLEED BLOCKS & PAD SPREADER TOOLS

Part Number	Description
-------------	-------------

11.5015.014.030	Bleed Block Elixir/DB
11.5015.014.050	Bleed Block Guide/Trail
11.5315.046.020	Pad Spreader Tool - Elixir/DB Caliper Qty 2
11.5315.046.040	Pad Spreader Tool - Guide/Trail/Code Caliper Qty 2
11.5015.014.040	Bleed Block Code 2011
11.5015.014.060	Bleed Block Hydraulic Road Disc
11.5015.014.070	Bleed Block Guide Ultimate/S4
11.5015.014.080	Bleed Block Monoblock - Level Ulitamte/TLM

### TOOLS

Part Number	Description
-------------	-------------

00.5015.366.000	AVID Hydraulic Hose Cutter Tool
00.5315.028.010	Hydraulic Hose Cutter Tool, Hand-Held - Avid
00.5315.028.020	Hydraulic Hose Barb Driver Tool, Hand-Held - Avid (works with threaded and barbed)
00.5318.015.001	SRAM Tool Bleeding Edge (works with Avid/SRAM Pro Bleed Kits) -S4/Monoblock Calipers, Guide Ultimate/RSC (B1)/RS (B1)/R (B1)/Level Ult/Level TLM
00.5318.015.002	SRAM Tool Lever Pivot Tool (for lever removal & lever service) - Level TLM/TL
00.5318.015.002	SRAM Tool Lever Pivot Tool (for lever removal & lever service) - Level TLM/TL
00.5318.015.003	SRAM Monoblock Caliper 21mm Piston Removal Tool (includes plug & removal block) - Level Ultimate/TLM
11.5315.050.010	Elixir Lever Pivot Bearing Press Tool (required for 2010 Elixir CR Mag and XX)
11.5364.102.000	Rotor Torx Wrench (T25, T10)
00.5318.013.001	Pro Hydraulic Hose Cutter Tool, Hand-Held - Avid

### GREASE & FLUIDS

Part Number	Description
-------------	-------------

00.5318.017.000	DOT 5.1 Hydraulic Brake Fluid 4oz(120ml) - SRAM
11.5315.045.000	Avid DOT Assembly Grease 1oz

## TACKLEBOX/ BULK KITS

### TACKLEBOX

Part Number	Description
-------------	-------------

11.5018.035.000	SRAM Guide Spare Parts Tackle box - Disc Brake
-----------------	--

### BULK KITS

Part Number	Description
-------------	-------------

11.5309.766.000	Hydraulic Disc Brake Compression Hose Nut, Qty 5
11.5018.036.008	Bulk Caliper Bleed Valve and O-Ring, Qty 10 - S4 Caliper, Guide Ultimate
11.5018.036.009	Bulk Bleeder Valve Cap, Qty 10 - S4 Caliper, Guide Ultimate
11.5015.069.010	Set Screw & O-Ring (Banjo Bolt Bleed) Qty 20
11.5215.019.000	Reservoir Bleed Screw/O-Ring Stainless Qty 20
11.5018.036.000	Bulk Pin Bushing SwingLink, Qty 20 – Guide RS/RSC/Ultimate
11.5018.036.001	Bulk Pivot Bolt, Qty 20 - X0 Trail, Guide RSC/Ultimate
11.5018.036.002	Bulk Reservoir Cap Bolt, Qty 10 - Juicy 7, Juicy Ultimate, DB5, Guide
11.5015.069.320	U Clamp Bolt (X0/XX/E9/E7/Code R) Qty 20
11.5018.036.003	Bulk Reservoir Bladder, Qty 10 - DB5, Guide
11.5018.036.004	Bulk Set Screw SwingLink, Qty 5 – Guide RS/RSC/Ultimate
11.5018.036.007	Bulk Pad Spreader, Qty 10 - S4 Caliper, Guide Ultimate
11.5018.036.005	Bulk Detent Spring and Ball, Qty 10 - Guide RSC/Ultimate
11.5018.036.010	Bulk Piston Assembly and Return Spring, Qty 5 - Guide R/RS
11.5018.036.011	Bulk Piston Assembly and Return Spring, Qty 5 - Guide RSC/Ultimate
11.5015.069.330	Rotor Bolts T25 Steel Qty 24
11.5018.036.016	Bulk CPS Mounting Bolt 18mm, Qty 20 - IS Bracket, 40P Bracket
11.5018.036.017	Bulk CPS Mounting Bolt 32mm, Qty 20 - 10S Spacer, 20mm PostBracket
11.5018.036.018	Bulk CPS Mounting Bolt 35.7mm, Qty 20 - 10S Spacer, 20mm Post Bracket
11.5015.069.300	CPS Spacer Set Qty 10
11.5015.069.150	O-Ring, Banjo Bolt, Qty 40
11.5018.036.012	Bulk Caliper Piston Seals, Qty 10 sets - Trail Caliper, Guide R/RS/RSC
11.5018.036.013	Bulk Caliper Piston Seals, Qty 10 sets - S4 Caliper, Guide Ultimate
11.5015.069.410	Pad Spreader - Guide/Trail, Qty 20
11.5018.036.014	Bulk Brake Pad Stainless Guide Pin and E-Clip, Qty 20 - Trail Caliper, S4 Caliper, Guide
11.5018.036.015	Bulk Caliper Body O-Ring, Qty 40 - S4 Caliper, Guide Ultimate
11.5018.036.006	Bulk Lever Boot, Qty 10 - DB5, Guide
11.5364.102.000	Rotor Torx Wrench (T25, T10)
00.5318.015.000	SRAM Guide Lever Internals Assembly Tool (for setting pushrod distance and installing internals)
00.5318.015.001	SRAM Tool Bleeding Edge (works with Avid/SRAM Pro Bleed Kits) -S4/Monoblock Calipers, Guide Ultimate/RSC (B1)/RS (B1)/R (B1)/Level Ult/Level TLM

**COPYRIGHT**

This publication includes trademarks and registered trademarks of SRAM LLC designated by the symbols ™ and ®, respectively.

Copyright © 2016 SRAM LLC

[www.sram.com](http://www.sram.com)

**world headquarters**  
SRAM LLC  
1000 w. fulton market  
chicago, il 60607  
phone +1-312-664-8800  
fax +1-312-664-8826

**european headquarters**  
SRAM europe  
paasbosweg 14-16  
3862ZS nijkerk  
the netherlands  
phone +31-33-450-6060  
fax +31-33-457-0200

**asian headquarters**  
SRAM taiwan  
no. 1598-8 chung shan rd  
shen kang hsiang, taichung  
county road 49 taiwan r.o.c.  
phone +886-4-2564-3678  
fax +886-4-2561-3686