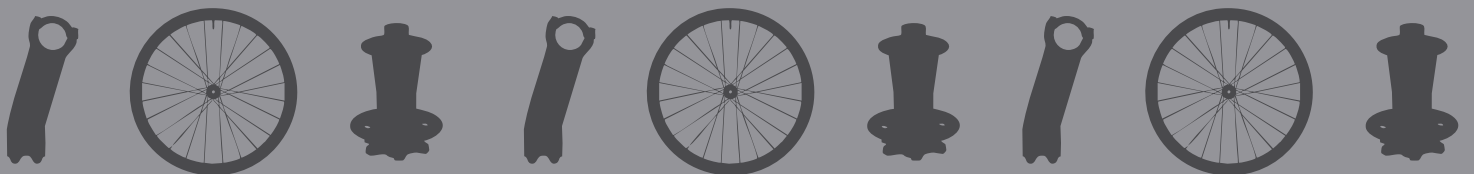
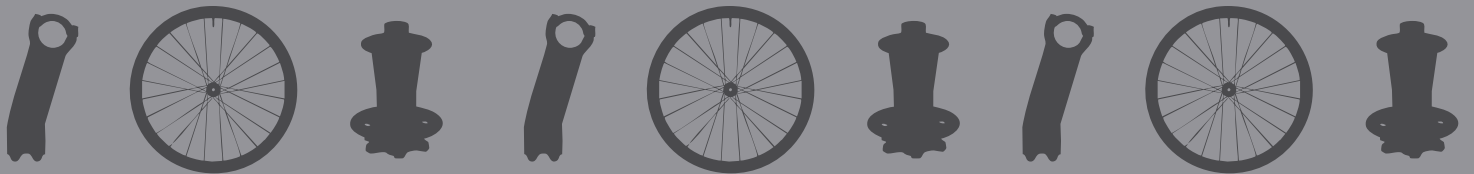
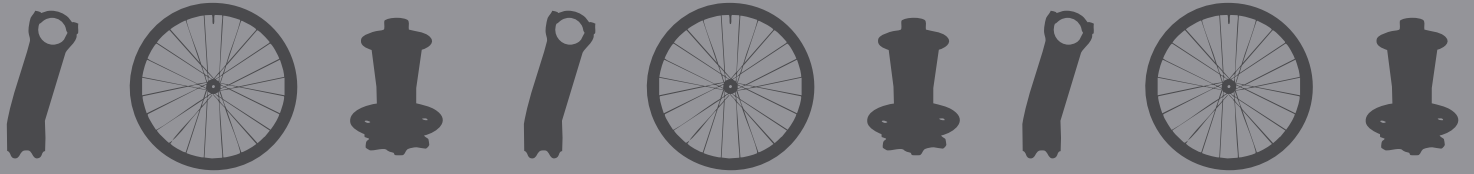
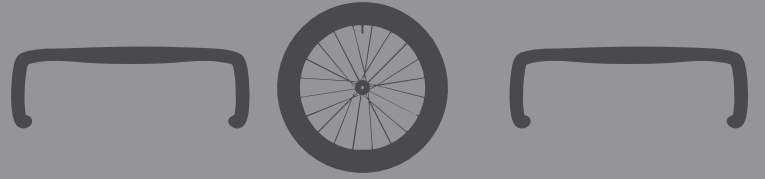


Spare Parts

2026 CATALOG



SRAM® ORIGINAL PARTS

CAUTION:

The SRAM Warranty policy does not cover damages caused by the use of non-SRAM parts.

Use only SRAM parts with SRAM components.

Installation of parts and accessories not originally intended could result in less than optimal performance and/or injury.

For in-depth service information on SRAM products, refer to our website at www.sram.com/service. Contact your local SRAM distributor or dealer for ordering information.

Information contained in this publication is subject to change at any time without prior notice. Your product's appearance may vary from the diagrams contained in this catalog.

TABLE OF CONTENTS

Wheel model	Hub type	Page	Wheel Model	Hub type	Page
<u>101</u>			<u>808 Firecrest</u>		
WH-101-XPLR-A1	ZR1 DB	5/6	WH-808-FTLD-A1/B1	ZR1 DB	22/23
			WH-808-FTLR-A1	ZR1 RB	22/23
<u>HITOP</u>			<u>353 NSW</u>		
WH-1ZRO-HTSW-A1	ZM2 SL	7	WH-353-NTLD-A1	Cognition V2 DB	24/25
WH-1ZRO-HTS-A1	ZM900	8	WH-353-NSW-B1	ZR1 SL DB	26/27
<u>MOTO</u>			<u>454 NSW</u>		
WH-MOTO-30-A1	ZM1 DB	9	WH-454-NTLD-B1	Cognition V2 DB	28/29
WH-MOTO-30-B1	ZM2 DB	10	WH-454-NTUD-B1	Cognition V2 DB	28/29
<u>202 NSW</u>			WH-454-NTLD-C1	ZR1 SL DB	30/31
WH-202-NSW-A1	ZR1 SL DB	11	<u>858 NSW</u>		
<u>303 Firecrest / SW</u>			WH-858-NTLD-B1/C1	Cognition V2 DB	32/33
WH-303-F650-A1	ZR1 DB	12/13	WH-858-NTLD-D1	ZR1 SL DB	34/35
WH-303-FTLD-A1	ZR1 DB	12/13	<u>TRACK Wheels</u>		
WH-303-FTLR-A1	ZR1 RB	12/13	900 /SP9 TRACK		36
WH-303-FTUD-A1	ZR1 DB	12/13	WH-SP9-TLTK-B1	ZR1 TRACK	37
WH-303-FTUR-A1	ZR1 DB	12/13			
WH-303-SW-A1	ZR1 DB	12/13			
<u>303 S</u>			<u>DISC Wheels</u>		
WH-303-STLD-A1	76D / 176D	14/15	WH-SP9-TLD-A1	177	38/39
<u>303 XPLR</u>			WH-SP9-TLR-A1	188	38/39
WH-303-XPS-A1	76D / 176D	16/17	WH-SP9-TUD-A2	177	38/39
WH-303-XPSW-A1	ZR1 DB	18/19	WH-SP9-TUR-A2	188	38/39
<u>404 Firecrest</u>			WH-SP9-TLD-B1	ZR1 SL	40
WH-404-FTLD-B1	ZR1 DB	20/21			
WH-404-FTLR-A1	ZR1 RB	20/21			
Legacy hubs			Overview pages		
Cognition V1 (1st GEN)		41/42	Spokes		53/54
Cognition V1 (2nd GEN RB)		41/42	Conversion & End caps	9mm	55/56
Cognition V2 (RB)		43/44		12mm	57/58
Cognition V1 (DB)		45/46		10mm	58
76/176 Rim brake		47		15mm	58
76/176 Disc brake		48	Decals		59
77/177 Rim brake		49			
77/177 Disc brake		50			
30/60		51			
88/188		52			

TABLE OF CONTENTS

Handlebars

Model	Page
Vuka Clip	60
Vuka Clip Alumina	61
Vuka Aero C1 (>2018)	62

Seatposts

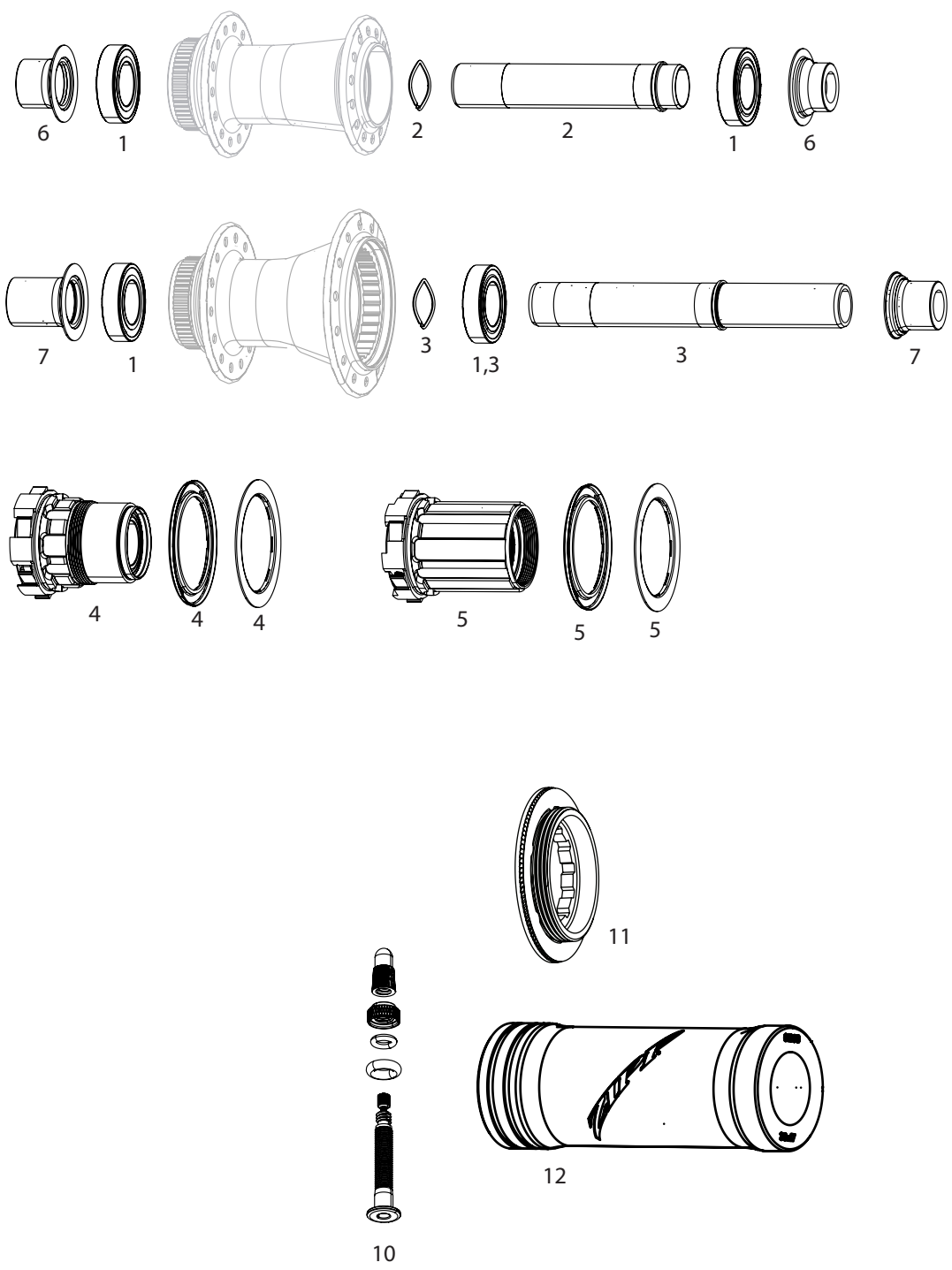
Model	Page
SL Speed B1	63
Service Course SL	64
Service Course B1	65

Stems

Model	Page
SL Sprint	66
SL Speed	67
Service Course SL/SL-OS B1	68

Zipp accessories

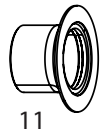
	Page
Tyrewiz	69
Tubeless / rim tape & accessories	70
Bar tape	70
Greases & Oil	70
Bottle cages	70
Tires & Tubes	70
Computer Mounts	70
Bags	71
Tires / Tubes	71



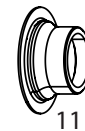
NO.	PART NUMBER	DESCRIPTION
Hub		
1	11.2018.061.003	WHEEL BEARING KIT FRONT/REAR 76/77 176/177 DISC, REAR 176/177 RIM, ZR1 61903 QTY 2
2	11.2018.064.010	WHEEL AXLE - FRONT - ZIPP ZR1 (AXLE AND WAVE SPRING)
3	11.2018.064.013	WHEEL AXLE - REAR - ZIPP ZR1 DISC BRAKE (AXLE INCLUDING BEARING DS AND WAVE SPRING)
4	11.2028.065.000	FREEHUB KIT ZR1 - XDR - STAINLESS STEEL 61803 BEARINGS
5	11.2028.065.001	FREEHUB KIT ZR1 - 11/12 SPEED (FOR SPLINED NON-XDR CASSETTES) - STAINLESS STEEL 61803 BEARINGS
ns	11.2018.065.010	FREEHUB KIT ZR1 DISC BRAKE FOR N3W - INCLUDING N3W SPECIFIC DS END CAP (ADAPTER & LOCKRING ARE NOT INCLUDED)
6	11.2018.064.003	WHEEL AXLE END CAP SET FRONT - DISC - 12x100 - ZR1 HUBS
ns	11.2018.064.018	WHEEL AXLE END CAP SET FRONT - 15MM - ZR1 ZM2SL HUBS
ns	11.2018.064.016	WHEEL AXLE END CAP SET FRONT - QR CENTERLOCK DISC - ZR1 HUBS
ns	11.2018.064.015	WHEEL AXLE END CAP SET REAR - QR CENTERLOCK DISC - ZR1 HUBS
7	11.2018.064.005	WHEEL AXLE END CAP SET REAR - 12X142 - XDR AND 11 SPEED - ZR1 HUBS (151-030 / 251-000)
ns	11.2018.058.000	WHEEL AXLE END CAP REAR DRIVE SIDE ONLY - QR COGNITION NSW AND ZR1 (FOR CAMPAGNOLO DRIVERS)
ns	11.2018.064.019	WHEEL AXLE END CAP SET REAR - 12X142 - CAMPAGNOLO - ZR1 HUBS
ns	11.2018.032.003	WHEEL WAVE SPRING ZIPP COGNITION NSW, ZR1, ZM2 (QTY2)
Spokes/Nipples/Washers		
650B		
ns	11.1918.089.028	SPOKES AND NIPPLES 3-PACK 282MM CX-SPRINT J-BEND TCX EXTERNAL BLACK
ns	11.1918.089.014	SPOKES AND NIPPLES 3-PACK 286MM CX-SPRINT J-BEND TCX EXTERNAL BLACK
ns	11.1918.089.013	SPOKES AND NIPPLES 3-PACK 284MM CX-SPRINT J-BEND TCX EXTERNAL BLACK
700C		
ns	11.1918.089.029	SPOKES AND NIPPLES 3-PACK 304MM CX-SPRINT J-BEND TCX EXTERNAL BLACK
ns	11.1918.089.019	SPOKES AND NIPPLES 3-PACK 302MM CX-SPRINT J-BEND TCX EXTERNAL BLACK
ns	11.1918.082.000	SPOKE NIPPLE WASHERS SAPIM NRHM 34-PACK FOR MOTO 3ZERO AND 101XPLR WHEELS
ns	11.1915.026.070	SPOKE NIPPLES EXTERNAL HEXAGONAL SECURE LOCK ALUMINUM BLACK 20-PACK 2.0 X 14
Tools & Accessories		
10	00.1918.458.001	Tubeless Universal Valve, Removable Valve Core (includes 1 tubeless valve & 1 valve core wrench) - ZIPP 101 XPLR
11	11.2018.063.005	Lockring Centerlock Rotor - 23mm 12 notch internal spline - Black ZIPP logo QTY 1
11	11.2018.063.007	Lockring Centerlock Rotor - 23mm 12 notch internal spline - Black ZIPP logo - Bulk QTY 20
12	00.2018.037.000	Bearing Press Tool 61903, All Zipp hubs - ZR1, ZM2, SL, 700, Cognition
ns	11.1918.086.001	Zipp 101 XPLR MOTO Rim Strip And Tubeless Tape Kit 700C (includes rim strip and tubeless tape for 1 wheel)

ZM2 SL HUB - 1ZERO HITOP

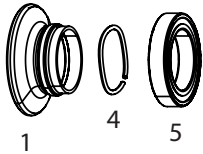
WH-1ZRO-HTSW-A1



11



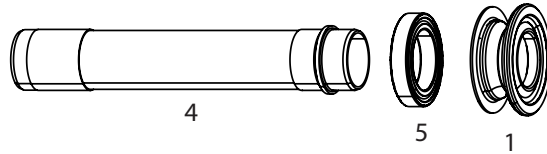
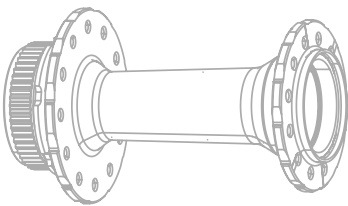
11



1

4

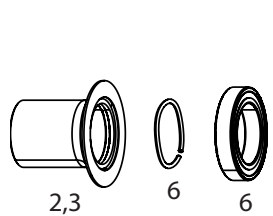
5



4

5

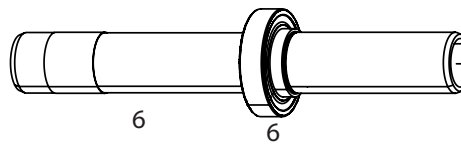
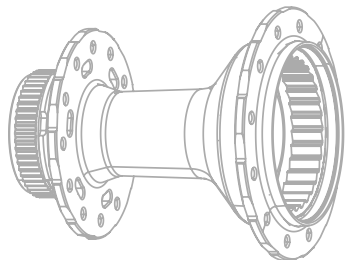
1



2,3

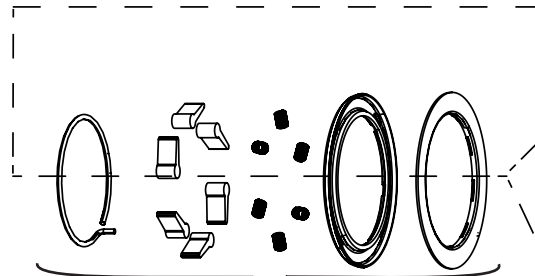
6

6

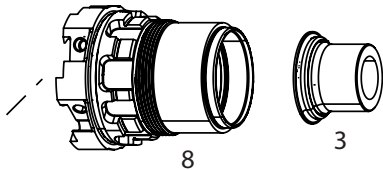


6

6

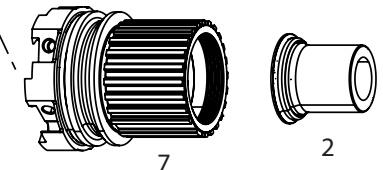


7,8,9



8

3



7

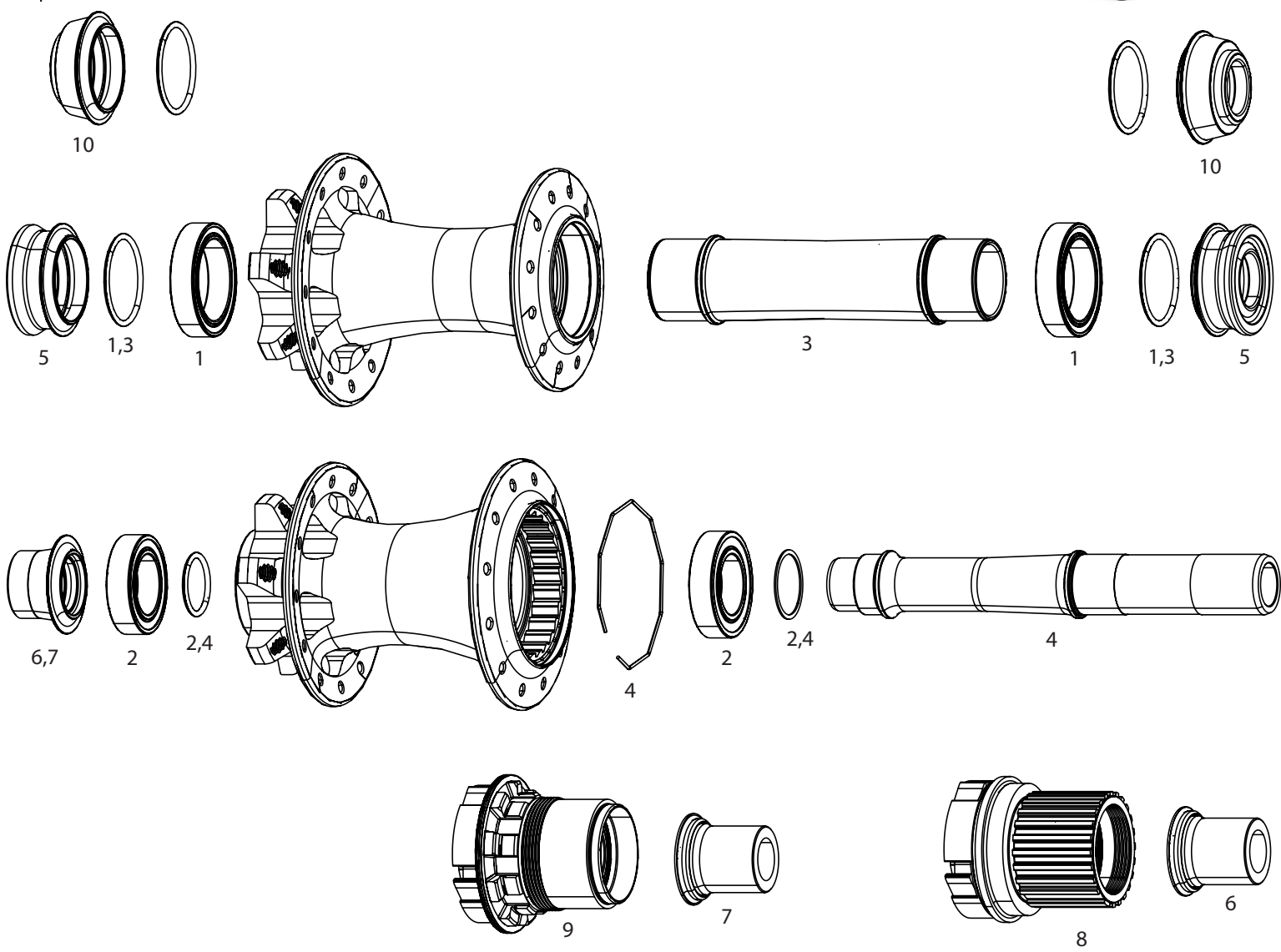
2

NO.	PART NUMBER	DESCRIPTION
1	11.2028.061.000	HUB AXLE END CAP SET - FRONT - ZM2SL - TORQUE CAPS FOR ROCKSHOX FORKS
2	11.2028.061.001	WHEEL AXLE END CAP SET - REAR - ZM2SL ZR1 MICROSPLINE (151-070 / 251-000)
3	11.2028.061.002	HUB AXLE END CAP SET - REAR - ZM2SL SRAM XD
4	11.2028.061.003	HUB AXLE - FRONT - ZM2SL (INCLUDING WAVE SPRING)
5	11.2028.061.004	HUB BEARINGS - FRONT - ZM2SL - 2x 61803 Carbon Steel bearings
6	11.2028.061.005	HUB AXLE - REAR - ZM2SL (INCLUDING AXLE, WAVE SPRING AND BEARINGS DS AND NDS)
7	11.2028.061.006	HUB FREEHUB KIT - ZM2SL ZR1 FOR SHIMANO MICROSPLINE
8	11.2028.061.007	HUB FREEHUB KIT - ZM2SL FOR SRAM XD
9	11.2018.070.001	SPRING AND PAWL SET (INCLUDES 6 COIL SPRING, 6 PAWLS, DRIVER BODY SEAL AND A ROUND WIRE SNAP RING) FOR ZIPP ZR1 HUBS
ns	00.2018.037.000	Bearing Press Tool 61903, All Zipp hubs - ZR1, ZM2, SL, 700, Cognition
11	11.2018.064.018	WHEEL AXLE END CAP SET FRONT - 15MM - ZR1 ZM2SL HUBS
ns	11.1918.086.002	Zipp 1ZERO Tubeless Tape kit - width 32mm length 10m (includes tubeless tape for 2 wheels)
ns	11.1918.091.000	WHEEL DECAL KIT 1ZERO S 29 SILVER SINGLE RIM
ns	11.1918.093.000	Tubeless Universal Valve, Removable Valve Core (includes 1 tubeless valve 44MM and 1 valve core wrench) - ZIPP 1ZERO
SPOKES FRONT		
ns	11.1918.088.012	SPOKES AND NIPPLES 3-PACK 290MM CX-RAY J-BEND TCX EXTERNAL BLACK
ns	11.1918.088.013	SPOKES AND NIPPLES 3-PACK 294MM CX-RAY J-BEND TCX EXTERNAL BLACK
SPOKES REAR		
ns	11.1918.088.011	SPOKES AND NIPPLES 3-PACK 286MM CX-RAY J-BEND TCX EXTERNAL BLACK
ns	11.1918.088.012	SPOKES AND NIPPLES 3-PACK 290MM CX-RAY J-BEND TCX EXTERNAL BLACK



ZM900 HUB - 1ZERO HITOP

WH-1ZRO-HTS-A1



NO.	PART NUMBER	DESCRIPTION
1	11.2028.062.000	BEARING KIT ZM900 FRONT HUB (INCLUDING 2 O-RINGS)
2	11.2028.062.001	BEARING KIT ZM900 REAR HUB (INCLUDING 2 O-RINGS)
3	11.2028.062.002	AXLE KIT FRONT ZM900 HUB (INCLUDING 2 O-RINGS)
4	11.2028.062.003	AXLE KIT REAR ZM900 HUB (INCLUDING 2 O-RINGS)
5	11.2028.062.004	END CAP SET FRONT ZM900 HUB 15X110B 31TC
6	11.2028.062.005	END CAP SET REAR ZM900 HUB 12X148 MS
7	11.2028.062.006	END CAP SET REAR ZM900 HUB 12X148 XD
8	11.2028.062.007	FREEHUB KIT ZM900 MICROSPLINE
9	11.2028.062.008	FREEHUB KIT ZM900 SRAM XD
10	11.2018.059.000	WHEEL AXLE END CAP SET FRONT - 15X110 BOOST THROUGH AXLE - ZM1 3ZERO AND ZM900 HUBS
ns	11.1918.086.002	Zipp 1ZERO Tubeless Tape kit - width 32mm length 10m (includes tubeless tape for 2 wheels)
ns	11.1918.091.000	WHEEL DECAL KIT 1ZERO S 29 SILVER SINGLE RIM
ns	11.1918.093.000	Tubeless Universal Valve, Removable Valve Core (includes 1 tubeless valve 44MM and 1 valve core wrench) - ZIPP 1ZERO

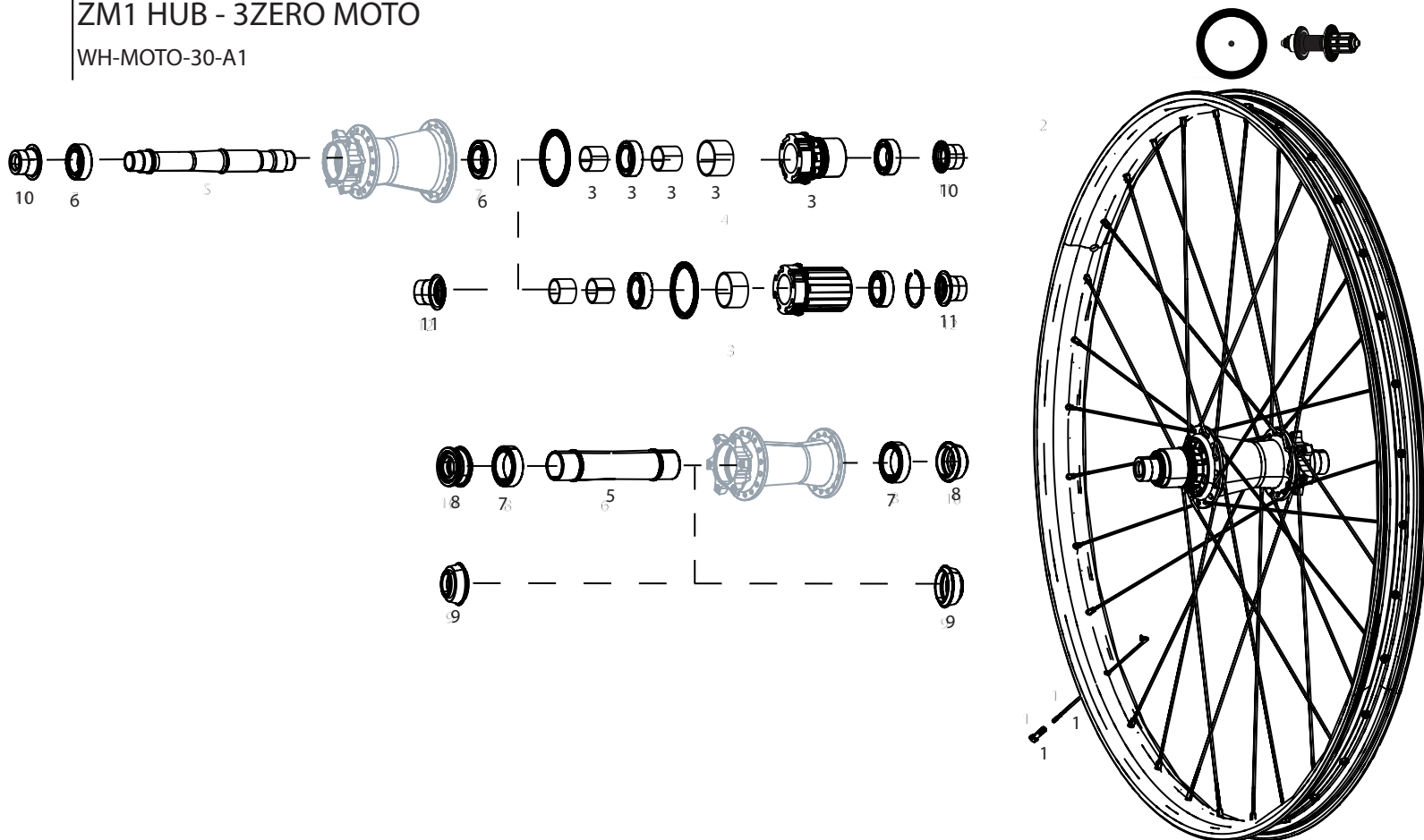
SPOKES FRONT		
ns	11.1918.089.022	SPOKES AND NIPPLES 3-PACK 288MM CX-SPRINT J-BEND TCX EXTERNAL BLACK
ns	11.1918.089.023	SPOKES AND NIPPLES 3-PACK 292MM CX-SPRINT J-BEND TCX EXTERNAL BLACK

SPOKES REAR		
ns	11.1918.089.015	SPOKES AND NIPPLES 3-PACK 290MM CX-SPRINT J-BEND TCX EXTERNAL BLACK
ns	11.1918.089.022	SPOKES AND NIPPLES 3-PACK 288MM CX-SPRINT J-BEND TCX EXTERNAL BLACK

Return to Index

ZM1 HUB - 3ZERO MOTO

WH-MOTO-30-A1

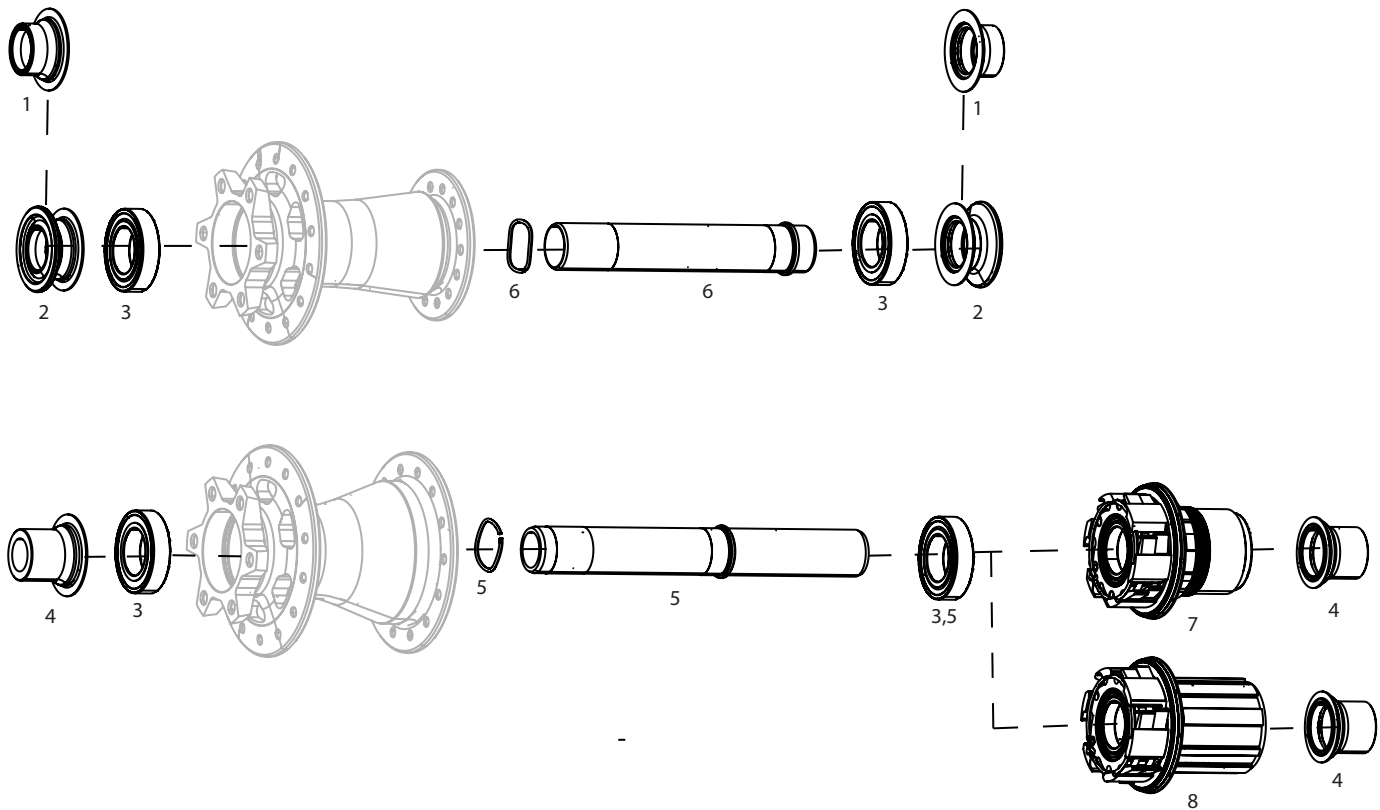


NO.	PART NUMBER	DESCRIPTION
1	11.1918.080.000	SPOKES & NIPPLES & WASHERS 3-PACK 280MM D-LIGHT J-BEND EXTERNAL BLACK (3ZERO MOTO 27.5 REAR DS)
1	11.1918.080.001	SPOKES & NIPPLES & WASHERS 3-PACK 282MM D-LIGHT J-BEND EXTERNAL BLACK (3ZERO MOTO 27.5 FRONT NDS AND REAR NDS)
1	11.1918.080.002	SPOKES & NIPPLES & WASHERS 3-PACK 284MM D-LIGHT J-BEND EXTERNAL BLACK (3ZERO MOTO 27.5 FRONT DS)
1	11.1918.080.003	SPOKES & NIPPLES & WASHERS 3-PACK 300MM D-LIGHT J-BEND EXTERNAL BLACK (3ZERO MOTO 29 FRONT NDS AND REAR DS)
1	11.1918.080.004	SPOKES & NIPPLES & WASHERS 3-PACK 302MM D-LIGHT J-BEND EXTERNAL BLACK (3ZERO MOTO 29 FRONT DS AND REAR NDS)
3	00.2018.014.000	WHEEL FREEHUB KIT - XD DRIVER BODY KIT - ZM1 3ZERO
5	11.2018.060.002	WHEEL AXLE - FRONT - ZM1 3ZERO
6	11.2018.060.004	WHEEL HUB BEARING KIT - REAR - (INCLUDES 1-6903/61903 AND 1-63803D28) - ZM1 3ZERO
7	11.2018.060.003	WHEEL HUB BEARING KIT - FRONT - (INCLUDES 2-23327) - ZM1 3ZERO
8	11.2018.059.001	WHEEL AXLE END CAP SET FRONT - 15X110 BOOST, 31MM THROUGH AXLE, TORQUE CAP ROCKSHOX FORKS - ZM1 3ZERO HUBS
9	11.2018.059.000	WHEEL AXLE END CAP SET FRONT - 15X110 BOOST THROUGH AXLE - ZM1 3ZERO AND ZM900 HUBS
10	11.2018.059.002	WHEEL AXLE END CAP SET REAR - 12X148 BOOST, FITS XD DRIVER BODY - ZM1 3ZERO HUBS
11	11.2018.059.003	WHEEL AXLE END CAP SET REAR - 12X148 BOOST, FITS 9/10 SPEED DRIVER BODY - ZM1 3ZERO HUBS
ns	00.1915.228.030	Zipp 3ZERO MOTO Rim Strip And Tubeless Tape Kit 27" (includes rim strip and tubeless tape for 1 wheel)
ns	00.1915.228.040	Zipp 3ZERO MOTO Rim Strip And Tubeless Tape Kit 29" (includes rim strip and tubeless tape for 1 wheel)
ns	11.1918.082.000	SPOKE NIPPLE WASHERS SAPIM NRHM 34-PACK FOR MOTO 3ZERO AND 101XPLR WHEELS
ns	00.1918.458.000	Tubeless Universal Valve, Removable Valve Core (includes 1 tubeless valve & 1 valve core wrench) - ZIPP 3ZERO MOTO

Return to
Index

ZM2 HUB - 3ZERO MOTO

WH-MOTO-30-B1

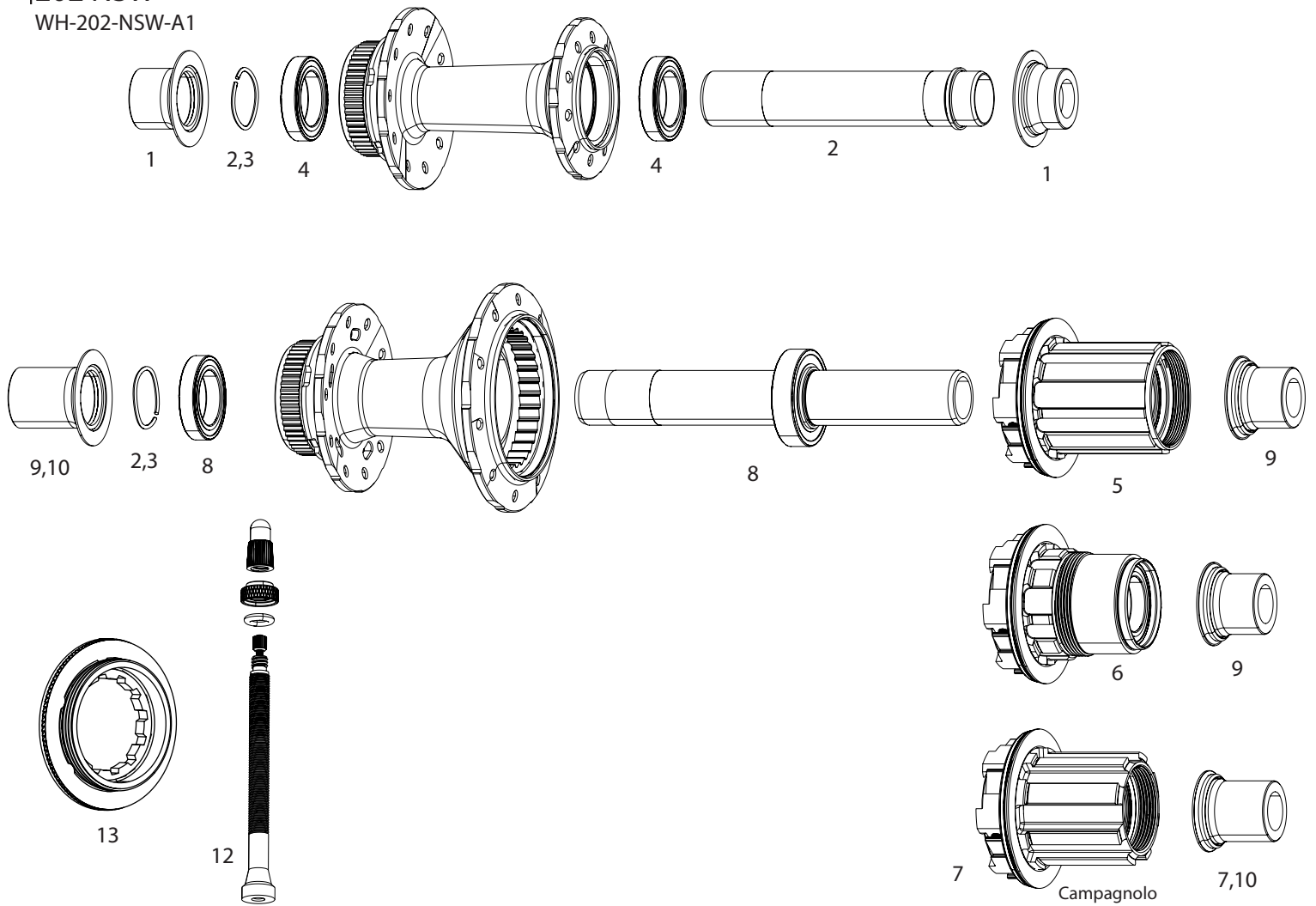


NO.	PART NUMBER	DESCRIPTION
1	11.2018.064.001	WHEEL AXLE END CAP SET FRONT - 15X110 BOOST - ZM2 HUBS
2	11.2018.064.002	WHEEL AXLE END CAP SET FRONT - 15X110 BOOST - TORQUE CAP ROCKSHOX FORKS - ZM2 HUBS
3	11.2018.061.003	WHEEL BEARING KIT FRONT/REAR 76/77 176/177 DISC, REAR 176/177 RIM, ZR1 61903 QTY 2
4	11.2018.064.007	WHEEL AXLE END CAP SET REAR - 12X148 - XD AND 10/11SPD - ZM2 HUBS
5	11.2018.064.008	WHEEL AXLE - REAR - ZIPP ZM2 (AXLE INCLUDING BEARING DS AND WAVE SPRING)
6	11.2018.064.009	WHEEL AXLE - FRONT - ZIPP ZM2 (AXLE INCLUDING WAVE SPRING)
7	00.2018.014.001	WHEEL FREEHUB KIT - XD DRIVER BODY KIT - ZIPP ZM2
8	11.2018.064.011	WHEEL FREEHUB KIT - 10 SPEED DRIVER BODY KIT - ZIPP ZM2
ns	11.2018.032.003	WHEEL WAVE SPRING ZIPP COGNITION NSW, ZR1, ZM2 (QTY2)
ns	11.2018.070.000	SPRING AND PAWL SET (INCLUDES 12 COIL SPRINGS, 12 PAWLS, DRIVER BODY SEAL AND A ROUND WIRE SNAP RING) FOR ZIPP ZM2 HUBS
Spokes - 3ZERO MOTO B1		
ns	11.1918.089.012	SPOKES AND NIPPLES 3-PACK 280MM CX-SPRINT J-BEND TCX EXTERNAL BLACK
ns	11.1918.089.013	SPOKES AND NIPPLES 3-PACK 284MM CX-SPRINT J-BEND TCX EXTERNAL BLACK
ns	11.1918.089.017	SPOKES AND NIPPLES 3-PACK 298MM CX-SPRINT J-BEND TCX EXTERNAL BLACK
ns	11.1918.089.018	SPOKES AND NIPPLES 3-PACK 300MM CX-SPRINT J-BEND TCX EXTERNAL BLACK
ns	11.1918.089.019	SPOKES AND NIPPLES 3-PACK 302MM CX-SPRINT J-BEND TCX EXTERNAL BLACK



202 NSW

WH-202-NSW-A1



NO.	PART NUMBER	DESCRIPTION
1	11.2018.064.003	WHEEL AXLE END CAP SET FRONT - DISC - 12x100 - ZR1 HUBS
2	11.2018.064.010	WHEEL AXLE - FRONT - ZIPP ZR1 (AXLE AND WAVE SPRING)
3	11.2018.032.003	WHEEL WAVE SPRING ZIPP COGNITION NSW, ZR1, ZM2 (QTY2)
4	11.2018.067.001	ZIPP Ceramic Bearing Upgrade Kit - 61803 - Compatible with Cognition rim brake front hubs, ZR1/ZM2/Cognition driver bodies (incl. 2 ceramic bearings)
5	11.2028.067.001	FREEHUB KIT - 10/11 SPEED (FOR SPLINED NON-XDR CASSETTES) - CERAMIC 61803 BEARINGS
6	11.2028.067.002	FREEHUB KIT - XDR - CERAMIC 61803 BEARINGS
7	11.2018.065.010	FREEHUB KIT ZR1 DISC BRAKE FOR N3W - INCLUDING N3W SPECIFIC DS END CAP (ADAPTER & LOCKRING ARE NOT INCLUDED)
8	11.2028.069.000	WHEEL BEARING KIT REAR - ZIPP ZR1 SL - 61803 AND 61903 INCLUDING ASSEMBLED AXLE
9	11.2018.064.005	WHEEL AXLE END CAP SET REAR - 12X142 - XDR AND 11 SPEED - ZR1 HUBS (151-030 / 251-000)
10	11.2018.069.000	WHEEL AXLE END CAP SET REAR ZIPP ZR1 DISC BRAKE N3W CAMPAGNOLO (151-060 & 251-000)

Tools & Accessories

ns	11.1918.084.009	TUBELESS KIT INCLUDES 10 METER OF 26MM TAPE, 2 UNIVERSAL VALVES 50MM, 1 VALVE CORE WRENCH (FITS 202NSW)
12	11.1918.093.007	Tubeless Universal Valve, Removable Valve Core (includes 1 tubeless valve 50MM and 1 valve core wrench) - ZIPP 202NSW
13	11.2018.063.007	Lockring Centerlock Rotor - 23mm 12 notch internal spline - Black ZIPP logo - Bulk QTY 20
13	11.2018.063.005	Lockring Centerlock Rotor - 23mm 12 notch internal spline - Black ZIPP logo QTY 1

Tires & Tubes

ns	00.1918.813.000	AM ZIPP NSW TPU TUBE 28-35MM 47 B1
ns	00.1918.775.001	Goodyear Eagle F1 R Z29 Aero designed for Zipp Tube Type Tire 700X29c A1

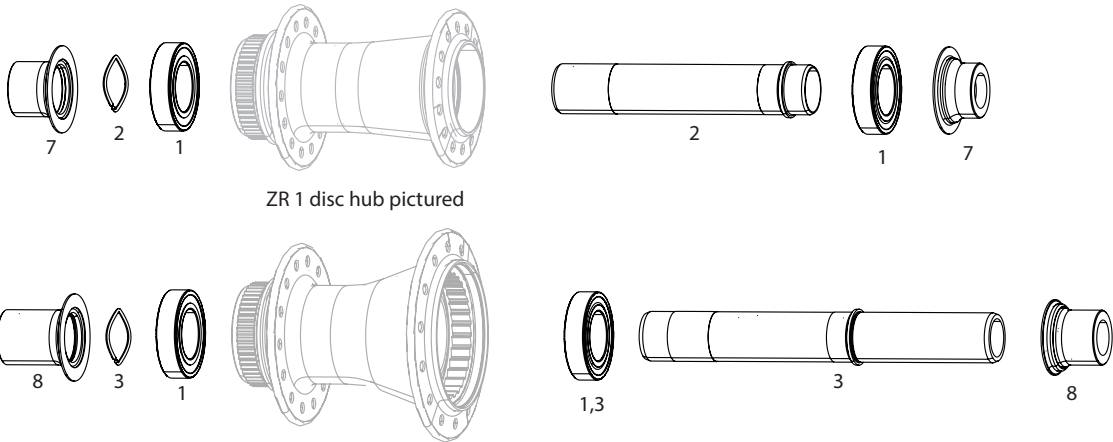
Spokes & Spoke nipples

ns	11.1918.092.001	SPOKE NIPPLES SAPIM DOUBLE SQUARE 7MM 16MM SILVER ALUMINUM 34-PACK
ns	11.1918.098.000	SPOKES AND NIPPLES 3-PACK 280MM ALPINA HYPERLITE J-BEND EXTERNAL BLACK (INCLUDING SILVER SPOKE NIPPLES FOR 202NSW)
ns	11.1918.098.001	SPOKES AND NIPPLES 3-PACK 282MM ALPINA HYPERLITE J-BEND EXTERNAL BLACK (INCLUDING SILVER SPOKE NIPPLES FOR 202NSW)
ns	11.1918.098.002	SPOKES AND NIPPLES 3-PACK 284MM ALPINA HYPERLITE J-BEND EXTERNAL BLACK (INCLUDING SILVER SPOKE NIPPLES FOR 202NSW)

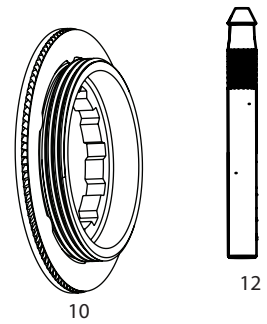
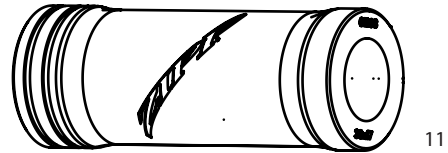
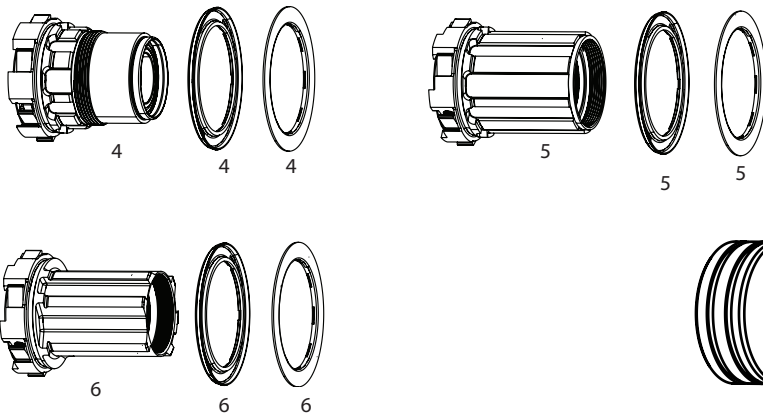


303 Firecrest / SW

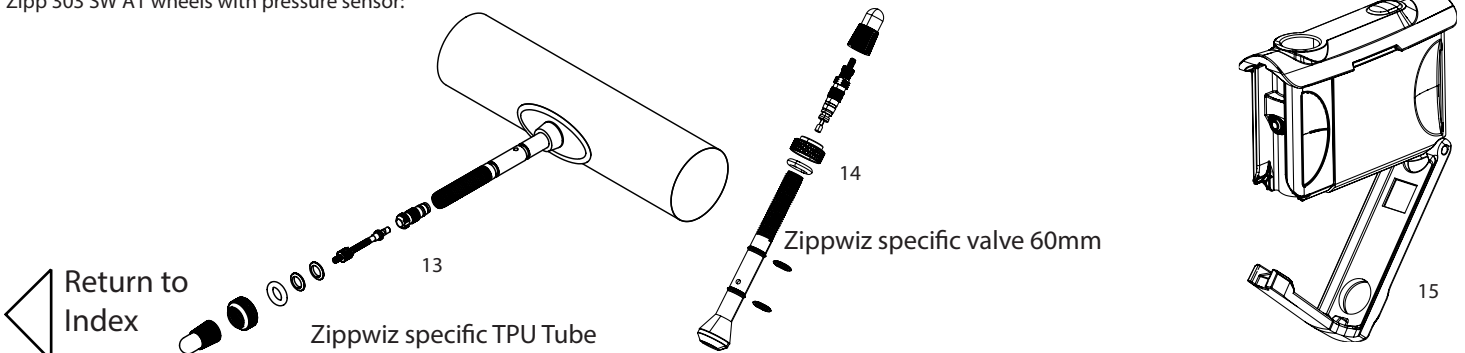
WH-303-F650-A1, WH-303-FTLD-A1, WH-303-FTLR-A1, WH-303-FTUD-A1, WH-303-FTUR-A1, WH-303-SW-A1



ZR 1 disc hub pictured



Zipp 303 SW A1 wheels with pressure sensor:



Return to Index

Zippwiz specific TPU Tube

Zippwiz specific valve 60mm



303 Firecrest / SW

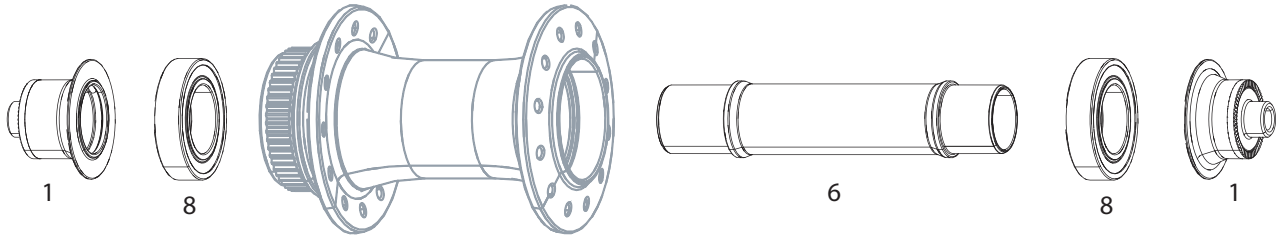
WH-303-F650-A1, WH-303-FTLD-A1, WH-303-FTLR-A1, WH-303-FTUD-A1, WH-303-FTUR-A1, WH-303-SW-A1

NO.	PART NUMBER	DESCRIPTION
Hub		
1	11.2018.061.003	WHEEL BEARING KIT FRONT/REAR 76/77 176/177 DISC, REAR 176/177 RIM, ZR1 61903 QTY 2
2	11.2018.064.010	WHEEL AXLE - FRONT - ZIPP ZR1 (AXLE AND WAVE SPRING)
3	11.2018.064.013	WHEEL AXLE - REAR - ZIPP ZR1 DISC BRAKE (AXLE INCLUDING BEARING DS AND WAVE SPRING)
3	11.2018.064.014	WHEEL AXLE - REAR - ZIPP ZR1 RIM BRAKE (AXLE INCLUDING BEARING DS AND WAVE SPRING)
4	11.2028.065.000	FREEHUB KIT ZR1 - XDR - STAINLESS STEEL 61803 BEARINGS
5	11.2028.065.001	FREEHUB KIT ZR1 - 11/12 SPEED (FOR SPLINED NON-XDR CASSETTES) - STAINLESS STEEL 61803 BEARINGS
6	11.2018.065.010	FREEHUB KIT ZR1 DISC BRAKE FOR N3W - INCLUDING N3W SPECIFIC DS END CAP (ADAPTER & LOCKRING ARE NOT INCLUDED)
7	11.2018.064.003	WHEEL AXLE END CAP SET FRONT - DISC - 12x100 - ZR1 HUBS
ns	11.2018.064.004	WHEEL AXLE END CAP SET FRONT - RIM BRAKE QR - ZR1 HUBS
ns	11.2018.064.018	WHEEL AXLE END CAP SET FRONT - 15MM - ZR1 ZM2SL HUBS
ns	11.2018.064.016	WHEEL AXLE END CAP SET FRONT - QR CENTERLOCK DISC - ZR1 HUBS
ns	11.2018.064.015	WHEEL AXLE END CAP SET REAR - QR CENTERLOCK DISC - ZR1 HUBS
8	11.2018.064.005	WHEEL AXLE END CAP SET REAR - 12X142 - XDR AND 11 SPEED - ZR1 HUBS (151-030 / 251-000)
ns	11.2018.064.006	WHEEL AXLE END CAP SET REAR - QR RB - XDR AND 11 SPEED - ZR1 HUBS
ns	11.2018.058.000	WHEEL AXLE END CAP REAR DRIVE SIDE ONLY - QR COGNITION NSW AND ZR1 (FOR CAMPAGNOLO DRIVERS)
ns	11.2018.064.019	WHEEL AXLE END CAP SET REAR - 12X142 - CAMPAGNOLO - ZR1 HUBS
ns	11.2018.032.003	WHEEL WAVE SPRING ZIPP COGNITION NSW, ZR1, ZM2 (QTY2)
Spokes/Nipples/Washers		
650B		
ns	11.1918.072.008	SPOKES & NIPPLES & WASHERS 3-PACK 248MM CX-RAY J-BEND EXTERNAL BLACK
700C		
ns	11.1918.089.008	SPOKES AND NIPPLES 3-PACK 266MM CX-SPRINT J-BEND TCX EXTERNAL BLACK
ns	11.1918.089.010	SPOKES AND NIPPLES 3-PACK 270MM CX-SPRINT J-BEND TCX EXTERNAL BLACK
ns	11.1918.089.011	SPOKES AND NIPPLES 3-PACK 272MM CX-SPRINT J-BEND TCX EXTERNAL BLACK
ns	11.1918.088.021	SPOKES AND NIPPLES 3-PACK 270MM CX-RAY J-BEND TCX EXTERNAL BLACK
ns	11.1918.088.017	SPOKES AND NIPPLES 3-PACK 272MM CX-RAY J-BEND TCX EXTERNAL BLACK
WH-303-FTLR-A1 are using CX-SPRINT		
ns	11.1918.089.005	SPOKES AND NIPPLES 3-PACK 254MM CX-SPRINT J-BEND TCX EXTERNAL BLACK
ns	11.1918.089.025	SPOKES AND NIPPLES 3-PACK 260MM CX-SPRINT J-BEND TCX EXTERNAL BLACK
ns	11.1918.089.027	SPOKES AND NIPPLES 3-PACK 264MM CX-SPRINT J-BEND TCX EXTERNAL BLACK
303 SW		
ns	11.1918.088.018	SPOKES AND NIPPLES 3-PACK 274MM CX-RAY J-BEND TCX EXTERNAL BLACK
ns	11.1918.088.019	SPOKES AND NIPPLES 3-PACK 276MM CX-RAY J-BEND TCX EXTERNAL BLACK
ns	11.1918.088.017	SPOKES AND NIPPLES 3-PACK 272MM CX-RAY J-BEND TCX EXTERNAL BLACK
Decals		
9	11.1918.083.001	WHEEL DECAL KIT ZIPP 303 DISC BRAKE SINGLE WHEEL WRAP AROUND GRAPHICS (from 2020 and beyond)
ns	11.1918.083.010	WHEEL DECAL KIT - ZIPP 303 SILVER FOIL - SINGLE WHEEL - WRAP AROUND GRAPHICS
Tools & Accessories		
10	11.2018.063.005	Lockring Centerlock Rotor - 23mm 12 notch internal spline - Black ZIPP logo QTY 1
10	11.2018.063.007	Lockring Centerlock Rotor - 23mm 12 notch internal spline - Black ZIPP logo - Bulk QTY 20
11	00.2018.037.000	Bearing Press Tool 61903, All Zipp hubs - ZR1, ZM2, SL, 700, Cognition
12	00.1915.130.070	Zipp Valve Extension Black 33mm for Zipp 302/303 (use with threaded presta valve) QTY 1
ns	11.1918.084.001	TUBELESS KIT INCLUDES 10 METER OF 26MM TAPE, 2 UNIVERSAL VALVES 60MM & 1 VALVE CORE WRENCH (FITS 303,303S,353)
Wheelsensor spares (only for Zipp 303 SW A1 and Zipp 353 NSW B1)		
13	00.1918.787.002	ZIPP AXS Smart Tube TPU 28-35mm - with Zipp tyre pressure sensor specific valve 60mm - designed for 303SW/353NSW with wheel sensor
13	00.1918.787.003	ZIPP AXS Smart Tube TPU 35-50mm - with Zipp tyre pressure sensor specific valve 60mm - designed for 303SW/353NSW with wheel sensor
ns	11.1918.097.000	ZIPP SEALANT INJECTOR - DESIGNED FOR WHEEL SENSOR SPECIFIC VALVES - 303SW A1 AND 353NSW B1
14	11.1918.096.000	AM ZIPP VALVE ASSEMBLY FOR ZIPP AIR SENSOR QTY1 - ZIPP 303SW A1 AND 353NSW B1 - INCLUDING 2 EXTRA D-RINGS
15	11.3018.041.000	AM ZIPP Wheel Air Sensor - FRONT - for Presta Valve - Zipp 303SW A1 and 353NSW B1 - Valve not included
15	11.3018.041.001	AM ZIPP Wheel Air Sensor - REAR - for Presta Valve - Zipp 303SW A1 and 353NSW B1 - Valve not included

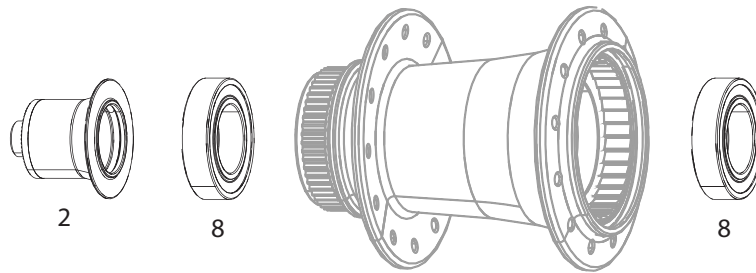


Campagnolo® is a registered trademark of Campagnolo s.r.l.

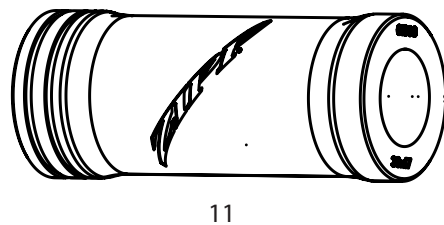
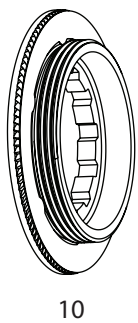
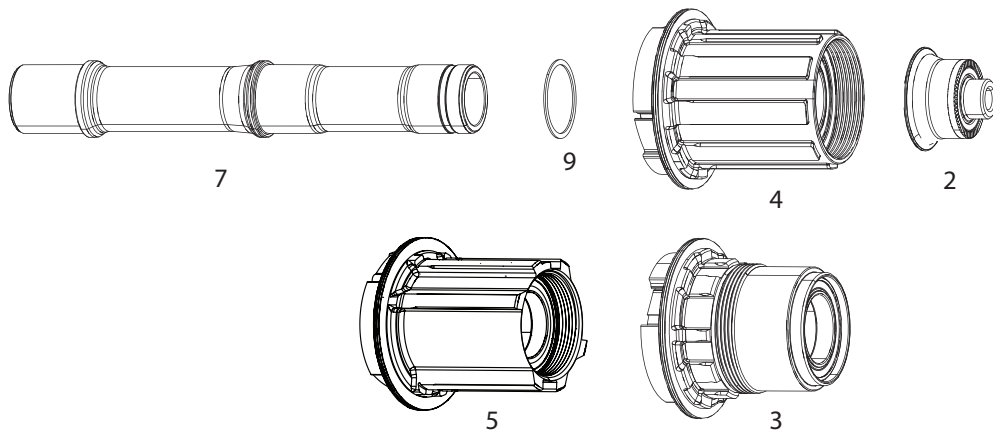




76D disc hub pictured



176D disc hub pictured



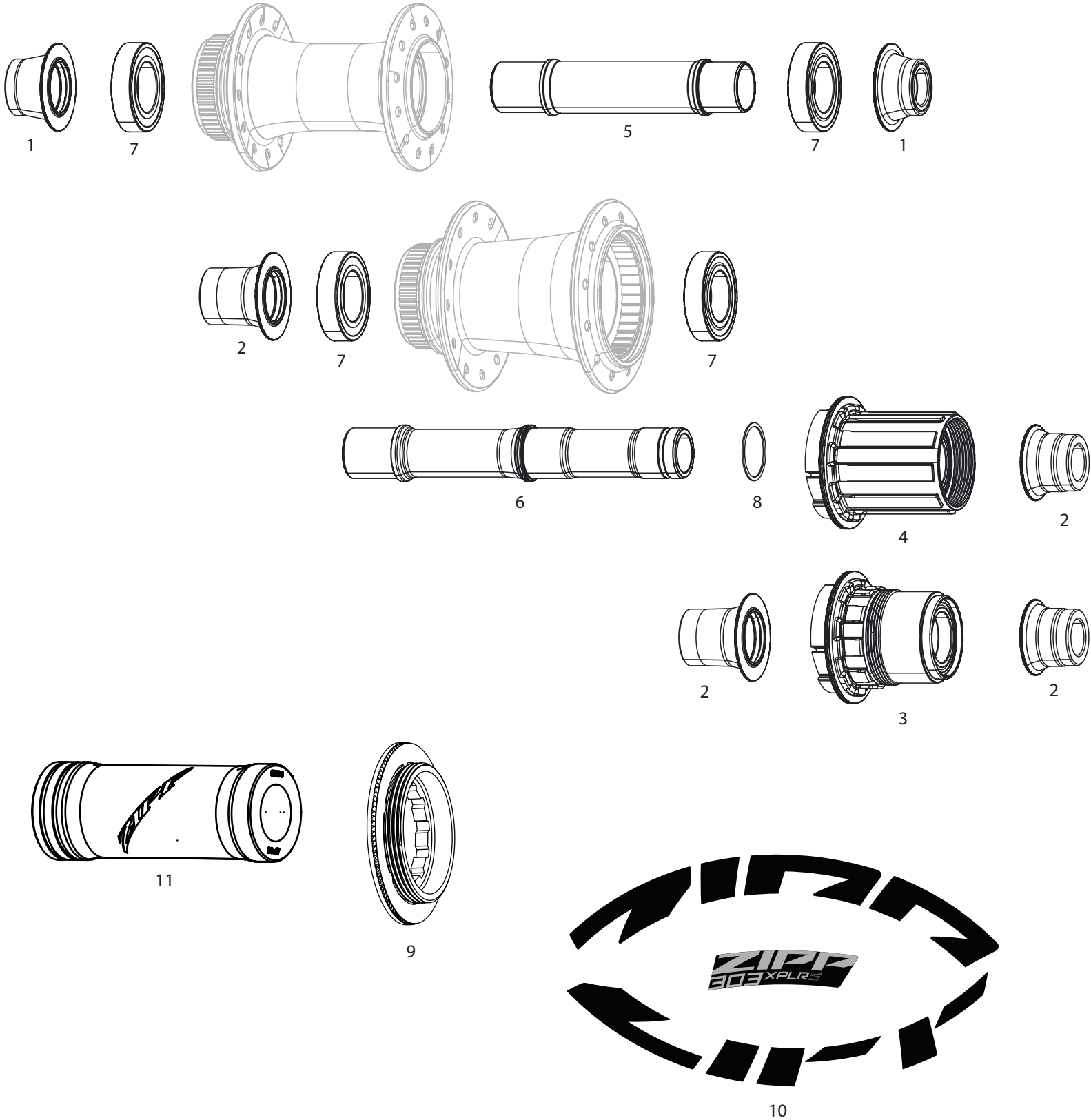
303 S

WH-303-STLD-A1

NO.	PART NUMBER	DESCRIPTION
Hub		
1	11.2018.045.000	WHEEL AXLE END CAP SET FRONT ZIPP 76 CENTER LOCKING DISC BRAKE QUICK RELEASE
2	11.2018.045.010	WHEEL AXLE END CAP SET REAR ZIPP 176 CENTER LOCKING DISC BRAKE QUICK RELEASE
ns.	11.2018.046.000	WHEEL AXLE END CAP SET FRONT ZIPP 76 CENTER LOCKING DISC BRAKE THRU AXLE 12X100
ns.	11.2018.047.000	WHEEL AXLE END CAP SET FRONT ZIPP 76 CENTER LOCKING DISC BRAKE THRU AXLE 15X100
ns.	11.2018.046.010	WHEEL AXLE END CAP SET REAR ZIPP 176 CENTER LOCKING DISC BRAKE THRU AXLE 12X142
3	11.2018.062.000	WHEEL FREEHUB KIT SS 176/177 SRAM XDR
4	11.2018.061.000	FREEHUB KIT 176/177 SS - 11/12 SPEED (FOR SPLINED NON-XDR CASSETTES)
5	11.2018.061.001	WHEEL FREEHUB KIT SS 176/177 11 SPEED CAMPAGNOLO
6	11.2018.054.000	WHEEL AXLE FRONT ZIPP 76D DISC BRAKE (AXLE ONLY)
7	11.2018.054.001	WHEEL AXLE REAR ZIPP 176D DISC BRAKE (AXLE ONLY)
8	11.2018.061.003	WHEEL BEARING KIT FRONT/REAR 76/77 176/177 DISC, REAR 176/177 RIM, ZR1 61903 QTY 2
9	11.2018.038.000	WHEEL FREEHUB BODY SHIM ZIPP 177 QTY 1
Spokes/Nipples/Washers		
ns	11.1918.089.008	SPOKES AND NIPPLES 3-PACK 266MM CX-SPRINT J-BEND TCX EXTERNAL BLACK
ns	11.1918.089.026	SPOKES AND NIPPLES 3-PACK 268MM CX-SPRINT J-BEND TCX EXTERNAL BLACK
ns	11.1918.089.027	SPOKES AND NIPPLES 3-PACK 264MM CX-SPRINT J-BEND TCX EXTERNAL BLACK
Tools & Accessories		
10	11.2018.063.005	Lockring Centerlock Rotor - 23mm 12 notch internal spline - Black ZIPP logo QTY 1
10	11.2018.063.007	Lockring Centerlock Rotor - 23mm 12 notch internal spline - Black ZIPP logo - Bulk QTY 20
11	00.2018.037.000	Bearing Press Tool 61903, All Zipp hubs - ZR1, ZM2, SL, 700, Cognition
12	00.1915.130.070	Zipp Valve Extension Black 33mm for Zipp 302/303 (use with threaded presta valve) QTY 1
ns	11.1918.084.001	TUBELESS KIT INCLUDES 10 METER OF 26MM TAPE, 2 UNIVERSAL VALVES 60MM & 1 VALVE CORE WRENCH (FITS 303,303S,353)

 Return to
Index

303 XPLR S
WH-303-XPS-A1

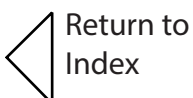


Return to
Index

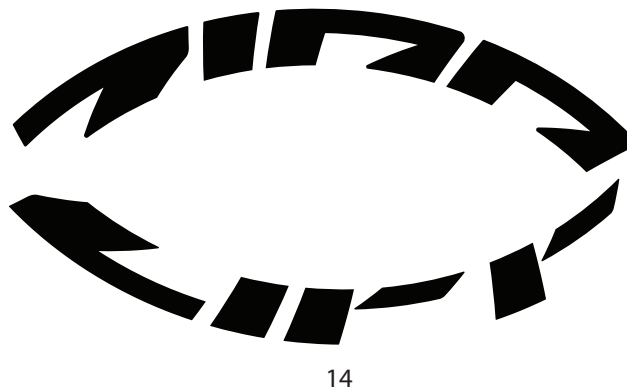
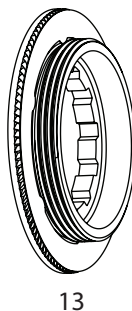
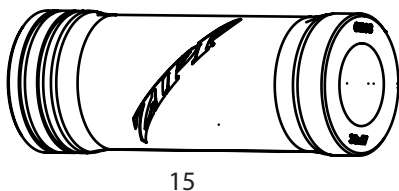
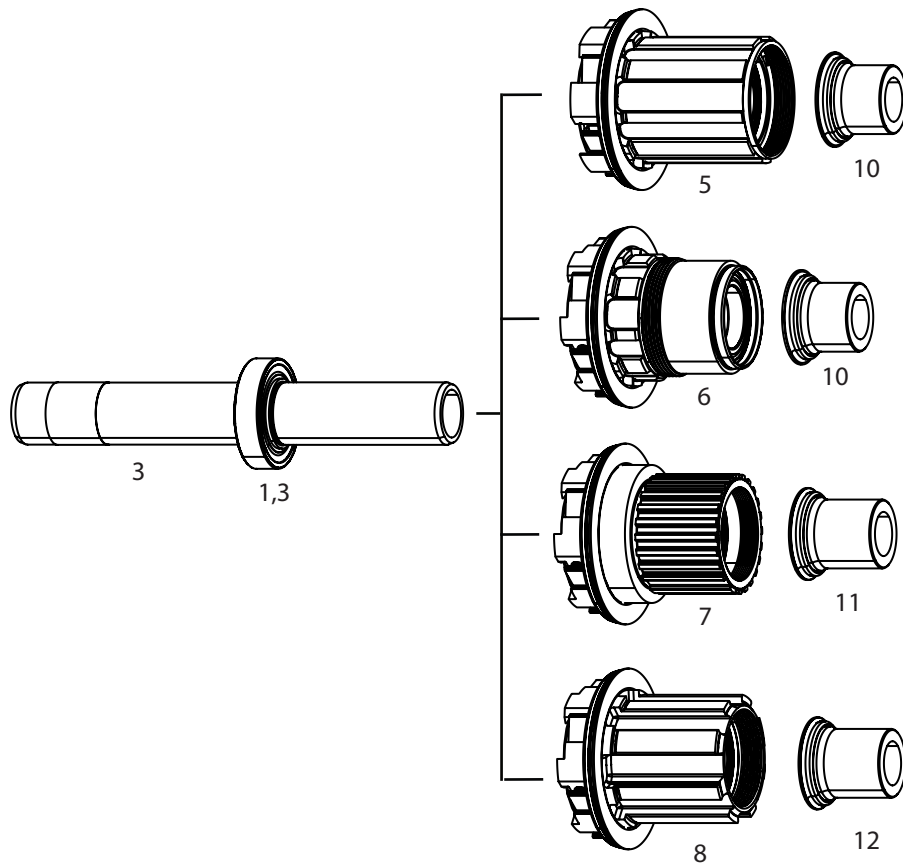
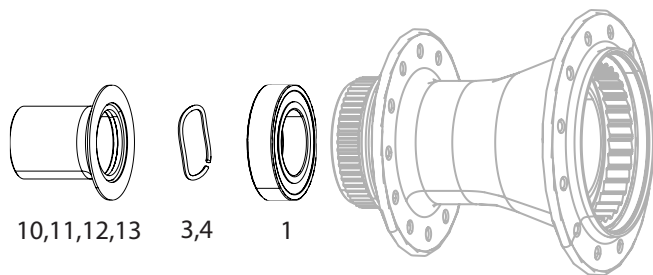
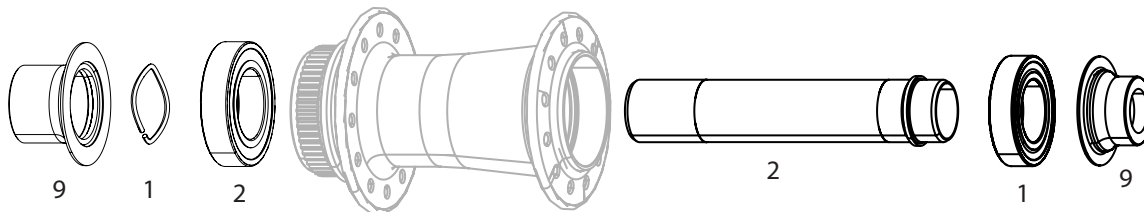
303 XPLR S

WH-303-XPS-A1

NO.	PART NUMBER	DESCRIPTION
Hub		
1	11.2018.046.000	WHEEL AXLE END CAP SET FRONT ZIPP 76 CENTER LOCKING DISC BRAKE THRU AXLE 12X100
ns.	11.2018.047.000	WHEEL AXLE END CAP SET FRONT ZIPP 76 CENTER LOCKING DISC BRAKE THRU AXLE 15X100
2	11.2018.046.010	WHEEL AXLE END CAP SET REAR ZIPP 176 CENTER LOCKING DISC BRAKE THRU AXLE 12X142
3	11.2018.062.000	WHEEL FREEHUB KIT SS 176/177 SRAM XDR
4	11.2018.061.000	FREEHUB KIT 176/177 SS - 11/12 SPEED (FOR SPLINED NON-XDR CASSETTES)
ns	11.2018.061.001	WHEEL FREEHUB KIT SS 176/177 11 SPEED CAMPAGNOLO
5	11.2018.054.000	WHEEL AXLE FRONT ZIPP 76D DISC BRAKE (AXLE ONLY)
6	11.2018.054.001	WHEEL AXLE REAR ZIPP 176D DISC BRAKE (AXLE ONLY)
7	11.2018.061.003	WHEEL BEARING KIT FRONT/REAR 76/77 176/177 DISC, REAR 176/177 RIM, ZR1 61903 QTY 2
8	11.2018.038.000	WHEEL FREEHUB BODY SHIM ZIPP 177 QTY 1
Spokes/Nipples/Washers		
Front		
ns	11.1918.089.024	SPOKES AND NIPPLES 3-PACK 258MM CX-SPRINT J-BEND TCX EXTERNAL BLACK
ns	11.1918.089.025	SPOKES AND NIPPLES 3-PACK 260MM CX-SPRINT J-BEND TCX EXTERNAL BLACK
Rear		
ns	11.1918.089.006	SPOKES AND NIPPLES 3-PACK 256MM CX-SPRINT J-BEND TCX EXTERNAL BLACK
ns	11.1918.089.024	SPOKES AND NIPPLES 3-PACK 258MM CX-SPRINT J-BEND TCX EXTERNAL BLACK
Tools & Accessories		
9	11.2018.063.005	Lockring Centerlock Rotor - 23mm 12 notch internal spline - Black ZIPP logo QTY 1
9	11.2018.063.007	Lockring Centerlock Rotor - 23mm 12 notch internal spline - Black ZIPP logo - Bulk QTY 20
10	11.1918.083.009	WHEEL DECAL KIT ZIPP 303 XPLR S SINGLE WHEEL WRAP AROUND GRAPHICS
ns	11.1918.086.003	Zipp 303 XPLR Tubeless Tape kit - width 34mm length 10m (includes tubeless tape for 2 wheels)
ns	11.1918.093.004	Tubeless Universal Valve, Removable Valve Core (includes 1 tubeless valve 80MM and 1 valve core wrench) - ZIPP 303XPLR,404 and 454
11	00.2018.037.000	Bearing Press Tool 61903, All Zipp hubs - ZR1, ZM2, SL, 700, Cognition



303 XPLR SW
WH-303-XPSW-A1



Return to
Index

303 XPLR SW

WH-303-XPSW-A1

NO.	PART NUMBER	DESCRIPTION
1	11.2018.061.003	WHEEL BEARING KIT FRONT/REAR 76/77 176/177 DISC, REAR 176/177 RIM, ZR1 61903 QTY 2
2	11.2018.064.010	WHEEL AXLE - FRONT - ZIPP ZR1 (AXLE AND WAVE SPRING)
3	11.2018.064.013	WHEEL AXLE - REAR - ZIPP ZR1 DISC BRAKE (AXLE INCLUDING BEARING DS AND WAVE SPRING)
4	11.2018.032.003	WHEEL WAVE SPRING ZIPP COGNITION NSW, ZR1, ZM2 (QTY2)
5	11.2028.065.001	FREEHUB KIT ZR1 - 11/12 SPEED (FOR SPLINED NON-XDR CASSETTES) - STAINLESS STEEL 61803 BEARINGS
6	11.2028.065.000	FREEHUB KIT ZR1 - XDR - STAINLESS STEEL 61803 BEARINGS
7	11.2028.061.006	FREEHUB KIT - ZM2SL ZR1 FOR SHIMANO MICROSPLINE
8	11.2018.065.010	FREEHUB KIT ZR1 DISC BRAKE FOR N3W - INCLUDING N3W SPECIFIC DS END CAP (ADAPTER & LOCKRING ARE NOT INCLUDED)
9	11.2018.064.003	WHEEL AXLE END CAP SET FRONT - DISC - 12x100 - ZR1 HUBS
ns	11.2018.064.018	WHEEL AXLE END CAP SET FRONT - 15MM - ZR1 ZM2SL HUBS
10	11.2018.064.005	WHEEL AXLE END CAP SET REAR - 12X142 - XDR AND 11 SPEED - ZR1 HUBS (151-030 / 251-000)
11	11.2028.061.001	WHEEL AXLE END CAP SET - REAR - ZM2SL ZR1 MICROSPLINE (151-070 / 251-000)
12	11.2018.069.000	WHEEL AXLE END CAP SET REAR ZIPP ZR1 DISC BRAKE N3W CAMPAGNOLO (151-060 & 251-000)

Spokes/Nipples/Washers

Front

ns	11.1918.088.007	SPOKES AND NIPPLES 3-PACK 260MM CX-RAY J-BEND TCX EXTERNAL BLACK
ns	11.1918.088.015	SPOKES AND NIPPLES 3-PACK 258MM CX-RAY J-BEND TCX EXTERNAL BLACK

Rear

ns	11.1918.088.015	SPOKES AND NIPPLES 3-PACK 258MM CX-RAY J-BEND TCX EXTERNAL BLACK
ns	11.1918.088.014	SPOKES AND NIPPLES 3-PACK 256MM CX-RAY J-BEND TCX EXTERNAL BLACK

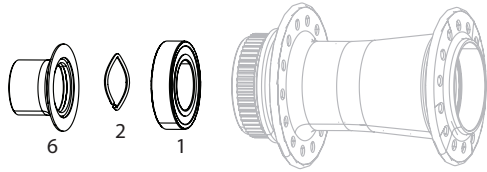
Tools & Accessories

13	11.2018.063.005	Lockring Centerlock Rotor - 23mm 12 notch internal spline - Black ZIPP logo QTY 1
13	11.2018.063.007	Lockring Centerlock Rotor - 23mm 12 notch internal spline - Black ZIPP logo - Bulk QTY 20
ns	11.2018.063.006	Lockring Centerlock Rotor - 23mm 12 notch internal spline - Black SRAM logo QTY 1
14	11.1918.083.008	WHEEL DECAL KIT ZIPP 303 XPLR SW SINGLE WHEEL WRAP AROUND GRAPHICS
ns	11.1918.086.003	Zipp 303 XPLR Tubeless Tape kit - width 34mm length 10m (includes tubeless tape for 2 wheels)
ns	11.1918.093.004	Tubeless Universal Valve, Removable Valve Core (includes 1 tubeless valve 80MM and 1 valve core wrench) - ZIPP 303XPLR,404 and 454
15	00.2018.037.000	Bearing Press Tool 61903, All Zipp hubs - ZR1, ZM2, SL, 700, Cognition
ns	11.1918.083.010	WHEEL DECAL KIT - ZIPP 303 SILVER FOIL - SINGLE WHEEL - WRAP AROUND GRAPHICS

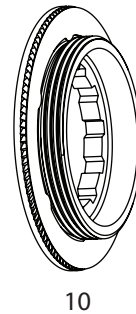
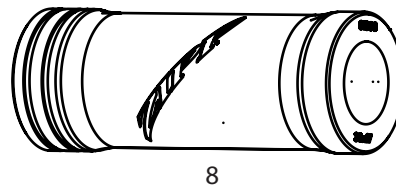
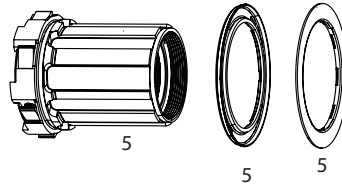
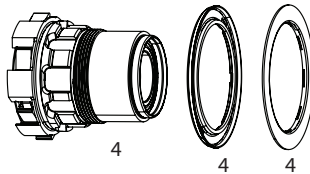
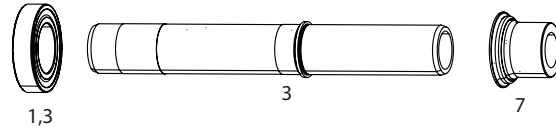
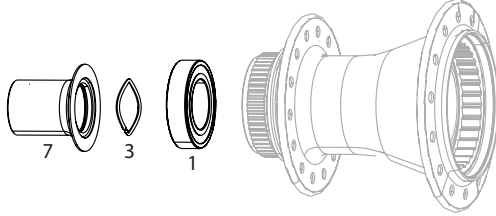
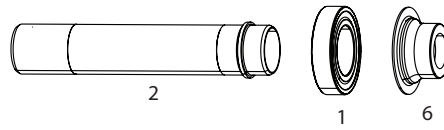



404 Firecrest

WH-404-FTLD-B1, WH-404-FTLR-A1



ZR 1 disc hub pictured



 Return to Index

404 Firecrest

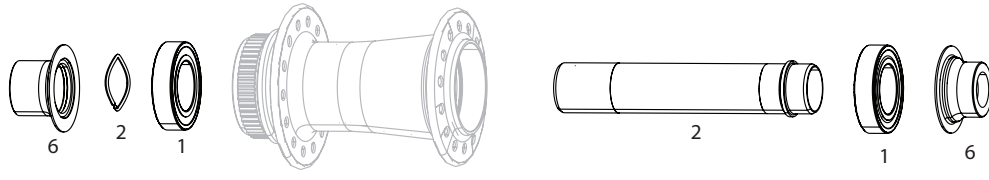
WH-404-FTLD-B1, WH-404-FTLR-A1

NO.	PART NUMBER	DESCRIPTION
Hub		
1	11.2018.061.003	WHEEL BEARING KIT FRONT/REAR 76/77 176/177 DISC, REAR 176/177 RIM, ZR1 61903 QTY 2
2	11.2018.064.010	WHEEL AXLE - FRONT - ZIPP ZR1 (AXLE AND WAVE SPRING)
3	11.2018.064.013	WHEEL AXLE - REAR - ZIPP ZR1 DISCBRAKE (AXLE INCLUDING BEARING DS AND WAVE SPRING)
3	11.2018.064.014	WHEEL AXLE - REAR - ZIPP ZR1 RIM BRAKE (AXLE INCLUDING BEARING DS AND WAVE SPRING)
4	11.2028.065.000	FREEHUB KIT ZR1 - XDR - STAINLESS STEEL 61803 BEARINGS
5	11.2028.065.001	FREEHUB KIT ZR1 - 11/12 SPEED (FOR SPLINED NON-XDR CASSETTES) - STAINLESS STEEL 61803 BEARINGS
ns	11.2018.065.010	FREEHUB KIT ZR1 DISC BRAKE FOR N3W - INCLUDING N3W SPECIFIC DS END CAP (ADAPTER & LOCKRING ARE NOT INCLUDED)
6	11.2018.064.003	WHEEL AXLE END CAP SET FRONT - DISC - 12x100 - ZR1 HUBS
ns	11.2018.064.004	WHEEL AXLE END CAP SET FRONT - RIM BRAKE QR - ZR1 HUBS
ns	11.2018.064.018	WHEEL AXLE END CAP SET FRONT - 15MM - ZR1 ZM2SL HUBS
ns	11.2018.064.016	WHEEL AXLE END CAP SET FRONT - QR CENTERLOCK DISC - ZR1 HUBS
ns	11.2018.064.015	WHEEL AXLE END CAP SET REAR - QR CENTERLOCK DISC - ZR1 HUBS
7	11.2018.064.005	WHEEL AXLE END CAP SET REAR - 12X142 - XDR AND 11 SPEED - ZR1 HUBS (151-030 / 251-000)
ns	11.2018.064.006	WHEEL AXLE END CAP SET REAR - QR RB - XDR AND 11 SPEED - ZR1 HUBS
ns	11.2018.058.000	WHEEL AXLE END CAP REAR DRIVE SIDE ONLY - QR COGNITION NSW AND ZR1 (FOR CAMPAGNOLO DRIVERS)
ns	11.2018.064.019	WHEEL AXLE END CAP SET REAR - 12X142 - CAMPAGNOLO - ZR1 HUBS
ns	11.2018.032.003	WHEEL WAVE SPRING ZIPP COGNITION NSW, ZR1, ZM2 (QTY2)
Spokes/Nipples/Washers		
WH-404-FTLD-B1		
ns	11.1918.089.004	SPOKES AND NIPPLES 3-PACK 250MM CX-SPRINT J-BEND TCX EXTERNAL BLACK
ns	11.1918.089.005	SPOKES AND NIPPLES 3-PACK 254MM CX-SPRINT J-BEND TCX EXTERNAL BLACK
ns	11.1918.089.006	SPOKES AND NIPPLES 3-PACK 256MM CX-SPRINT J-BEND TCX EXTERNAL BLACK
WH-404-FTLR-A1		
ns	11.1918.072.008	SPOKES & NIPPLES & WASHERS 3-PACK 248MM CX-RAY J-BEND EXTERNAL BLACK
ns	11.1918.072.006	SPOKES & NIPPLES & WASHERS 3-PACK 252MM CX-RAY J-BEND EXTERNAL BLACK
ns	11.1918.088.004	SPOKES AND NIPPLES 3-PACK 248MM CX-RAY J-BEND TCX EXTERNAL BLACK
ns	11.1918.088.005	SPOKES AND NIPPLES 3-PACK 252MM CX-RAY J-BEND TCX EXTERNAL BLACK
Decals		
9	11.1918.083.003	WHEEL DECAL KIT ZIPP 404 DISC & RIM BRAKE SINGLE WHEEL WRAP AROUND GRAPHICS (from 2020 and beyond)
ns	11.1918.083.011	WHEEL DECAL KIT - ZIPP 404 SILVER FOIL - SINGLE WHEEL - WRAP AROUND GRAPHICS
Tools & Accessories		
8	00.2018.037.000	Bearing Press Tool 61903, All Zipp hubs - ZR1, ZM2, SL, 700, Cognition
9	00.1915.130.080	Zipp Valve Extension Black 48mm for Zipp 60/404 (use with threaded presta valve)
ns	11.1918.084.002	TUBELESS KIT INCLUDES 10 METER OF 26MM TAPE, 2 UNIVERSAL VALVES 80MM & 1 VALVE CORE WRENCH (FITS 454,404)
10	11.2018.063.005	Lockring Centerlock Rotor - 23mm 12 notch internal spline - Black ZIPP logo QTY 1
10	11.2018.063.007	Lockring Centerlock Rotor - 23mm 12 notch internal spline - Black ZIPP logo - Bulk QTY 20

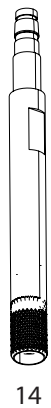
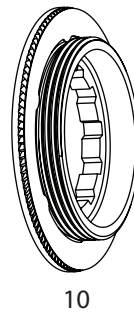
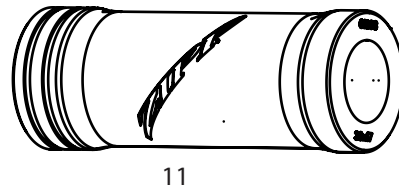
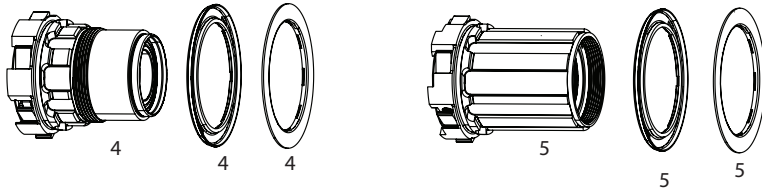
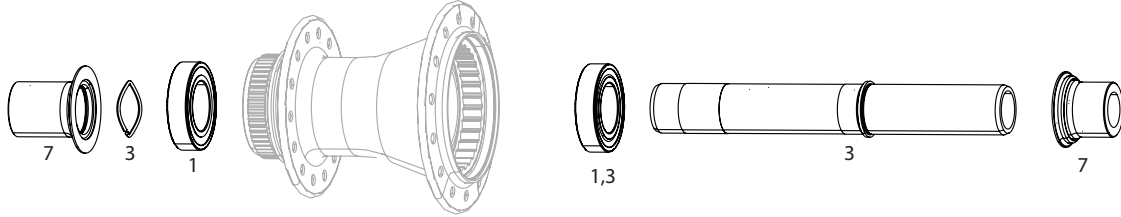


808 Firecrest

WH-808-FTLD-A1, WH-808-FTLR-A1



ZR 1 disc hub pictured



Return to
Index

808 Firecrest

WH-808-FTLD-A1, WH-808-FTLR-A1, WH-808-FTLD-B1

NO.	PART NUMBER	DESCRIPTION
Hub		
1	11.2018.061.003	WHEEL BEARING KIT FRONT/REAR 76/77 176/177 DISC, REAR 176/177 RIM, ZR1 61903 QTY 2
2	11.2018.064.010	WHEEL AXLE - FRONT - ZIPP ZR1 (AXLE AND WAVE SPRING)
3	11.2018.064.013	WHEEL AXLE - REAR - ZIPP ZR1 DISC BRAKE (AXLE INCLUDING BEARING DS AND WAVE SPRING)
3	11.2018.064.014	WHEEL AXLE - REAR - ZIPP ZR1 RIM BRAKE (AXLE INCLUDING BEARING DS AND WAVE SPRING)
4	11.2028.065.000	FREEHUB KIT ZR1 - XDR - STAINLESS STEEL 61803 BEARINGS
5	11.2028.065.001	FREEHUB KIT ZR1 - 11/12 SPEED (FOR SPLINED NON-XDR CASSETTES) - STAINLESS STEEL 61803 BEARINGS
ns	11.2018.065.010	FREEHUB KIT ZR1 DISC BRAKE FOR N3W - INCLUDING N3W SPECIFIC DS END CAP (ADAPTER & LOCKRING ARE NOT INCLUDED)
7	11.2018.064.003	WHEEL AXLE END CAP SET FRONT - DISC - 12x100 - ZR1 HUBS
ns	11.2018.064.004	WHEEL AXLE END CAP SET FRONT - RIM BRAKE QR - ZR1 HUBS
ns	11.2018.064.018	WHEEL AXLE END CAP SET FRONT - 15MM - ZR1 ZM2SL HUBS
ns	11.2018.064.016	WHEEL AXLE END CAP SET FRONT - QR CENTERLOCK DISC - ZR1 HUBS
ns	11.2018.064.015	WHEEL AXLE END CAP SET REAR - QR CENTERLOCK DISC - ZR1 HUBS
8	11.2018.064.005	WHEEL AXLE END CAP SET REAR - 12X142 - XDR AND 11 SPEED - ZR1 HUBS (151-030 / 251-000)
ns	11.2018.064.006	WHEEL AXLE END CAP SET REAR - QR RB - XDR AND 11 SPEED - ZR1 HUBS
ns	11.2018.058.000	WHEEL AXLE END CAP REAR DRIVE SIDE ONLY - QR COGNITION NSW AND ZR1 (FOR CAMPAGNOLO DRIVERS)
ns	11.2018.064.019	WHEEL AXLE END CAP SET REAR - 12X142 - CAMPAGNOLO - ZR1 HUBS
ns	11.2018.032.003	WHEEL WAVE SPRING ZIPP COGNITION NSW, ZR1, ZM2 (QTY2)

Spokes/Nipples/Washers

WH-808-FTLD-B1

Front

ns	11.1918.089.000	SPOKES AND NIPPLES 3-PACK 224MM CX-SPRINT J-BEND TCX EXTERNAL BLACK
ns	11.1918.089.002	SPOKES AND NIPPLES 3-PACK 238MM CX-SPRINT J-BEND TCX EXTERNAL BLACK

Rear

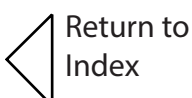
ns	11.1918.089.001	SPOKES AND NIPPLES 3-PACK 236MM CX-SPRINT J-BEND TCX EXTERNAL BLACK
ns	11.1918.089.003	SPOKES AND NIPPLES 3-PACK 240MM CX-SPRINT J-BEND TCX EXTERNAL BLACK

Decals

9	11.1918.083.007	WHEEL DECAL KIT ZIPP 808 DISC TL SINGLE WHEEL WRAP AROUND GRAPHICS (from 2022 and beyond)
ns	11.1918.083.012	WHEEL DECAL KIT - ZIPP 808 SILVER FOIL - SINGLE WHEEL - WRAP AROUND GRAPHICS

Tools & Accessories

10	11.2018.063.005	Lockring Centerlock Rotor - 23mm 12 notch internal spline - Black ZIPP logo QTY 1
10	11.2018.063.007	Lockring Centerlock Rotor - 23mm 12 notch internal spline - Black ZIPP logo - Bulk QTY 20
11	00.2018.037.000	Bearing Press Tool 61903, All Zipp hubs - ZR1, ZM2, SL, 700, Cognition
12	00.1915.130.090	Zipp Valve Extension Black 72mm for Zipp 808 (use with threaded presta valve)
14	00.1918.259.010	Zipp Tangente Aluminum Knurled Valve Extender 808 65mm (Qty 1) (use with Removable Presta Valve, recommended for use with Zipp Tangente Tube)
15	11.1918.085.002	ZIPP TANGENTE ALUMINUM KNURLED VALVE EXTENDER KIT 808 65MM (QTY 2) AND WRENCH (QTY 2) (USE WITH REMOVABLE PRESTA VALVE, RECOMMENDED FOR USE WITH ZIPP TANGENTE TUBE)
ns	11.1918.084.004	TUBELESS KIT INCLUDES 10 METER OF 26MM TAPE, 2 UNIVERSAL VALVES 100MM, 1 VALVE CORE WRENCH (FITS 808 FIRECREST, 858 D1)



353 NSW Cognition

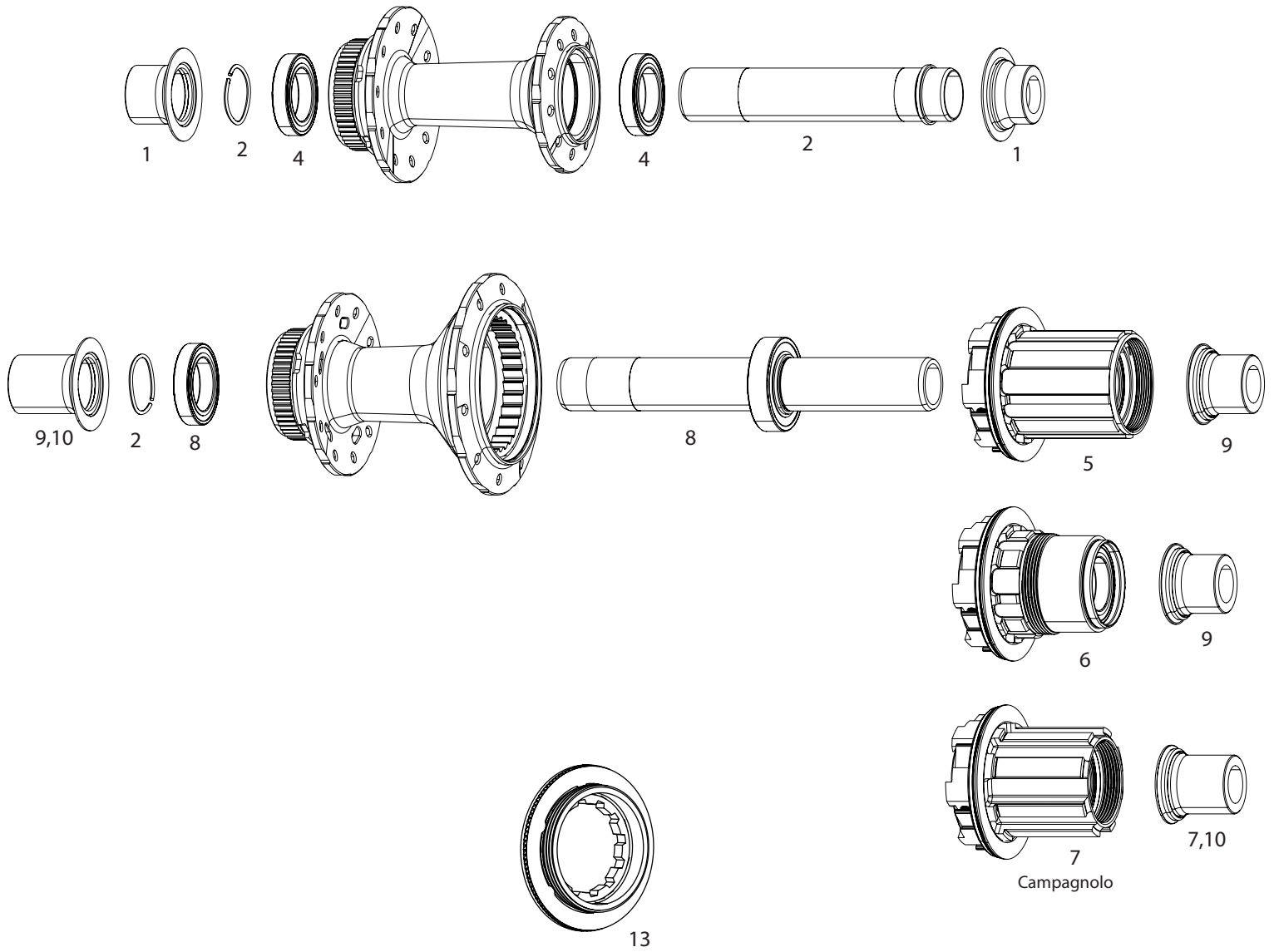
WH-353-NTLD-A1

NO.	PART NUMBER	DESCRIPTION
Hub		
1	11.2018.065.002	HUB AXLE - FRONT - ZIPP COGNITION V2 DISC BRAKE (AXLE AND WAVE SPRING)
2	11.2018.052.002	WHEEL HUB BEARINGS COGNITION V1/V2 DISC BRAKE NSW (FRONT OR REAR, 1 PAIR)
3	11.2018.032.003	WHEEL WAVE SPRING ZIPP COGNITION NSW, ZR1, ZM2 (QTY2)
4	11.2018.049.000	WHEEL AXLE END CAP SET FRONT ZIPP COGNITION CENTER LOCKING DISC BRAKE THRU AXLE 12X100
ns	11.2018.050.000	WHEEL AXLE END CAP SET FRONT ZIPP COGNITION CENTER LOCKING DISC BRAKE THRU AXLE 15X100
ns	11.2018.048.000	WHEEL AXLE END CAP SET FRONT ZIPP COGNITION CENTER LOCKING DISC BRAKE QUICK RELEASE
ns	11.2018.065.011	FREEHUB KIT NSW DISC BRAKE FOR N3W - INCLUDING N3W SPECIFIC DS END CAP (ADAPTER & LOCKRING ARE NOT INCLUDED)
5	11.2018.065.004	HUB AXLE - REAR - ZIPP COGNITION V2 DISC BRAKE NSW WITH BEARINGS (2X 61903)
6	11.2018.065.006	HUB COGNITION V2 AXIAL CLUTCH KIT DISC BRAKE / RIM BRAKE (INCLUDES RATCHET SHELL AND DRIVER, SYLOMER SPRING ASSEMBLY AND SEAL CAP)
7	11.2018.065.000	FREEHUB KIT COGNITION V2 NSW DISC BRAKE / RIM BRAKE 11/12 SPEED (FOR SPLINED NON-XDR CASSETTES)
8	11.2018.065.001	HUB FREEHUB KIT COGNITION V2 NSW DISC BRAKE / RIM BRAKE XDR
9	11.2018.065.009	HUB FREEHUB KIT COGNITION V2 NSW DISC BRAKE / RIM BRAKE CAMPAGNOLO
10	11.2018.065.007	HUB AXLE END CAP SET REAR ZIPP COGNITION V2 DISC BRAKE / RIM BRAKE COMPATIBLE WITH XDR AND 11-SPD
ns	11.2018.049.040	WHEEL AXLE END CAP SET REAR ZIPP COGNITION CENTER LOCKING DISC BRAKE THRU AXLE 12X142 CAMPY
Spokes/Nipples/Washers		
ns	11.1918.088.007	SPOKES AND NIPPLES 3-PACK 260MM CX-RAY J-BEND TCX EXTERNAL BLACK
ns	11.1918.088.008	SPOKES AND NIPPLES 3-PACK 264MM CX-RAY J-BEND TCX EXTERNAL BLACK
ns	11.1918.088.009	SPOKES AND NIPPLES 3-PACK 266MM CX-RAY J-BEND TCX EXTERNAL BLACK
Tools & Accessories		
10	11.2018.063.004	Lockring Centerlock Rotor - 44mm 16 notch external spline - Black SRAM logo QTY 1
11	11.2018.063.005	Lockring Centerlock Rotor - 23mm 12 notch internal spline - Black ZIPP logo QTY 1
11	11.2018.063.006	Lockring Centerlock Rotor - 23mm 12 notch internal spline - Black SRAM logo QTY 1
12	00.2018.037.000	Bearing Press Tool 61903, All Zipp hubs - ZR1, ZM2, SL, 700, Cognition
13	00.1915.130.070	Zipp Valve Extension Black 33mm for Zipp 302/303 (use with threaded presta valve) QTY 1
ns	11.1918.084.001	TUBELESS KIT INCLUDES 10 METER OF 26MM TAPE, 2 UNIVERSAL VALVES 60MM & 1 VALVE CORE WRENCH (FITS 303,303S,353)

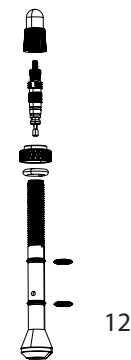
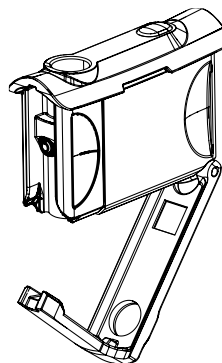
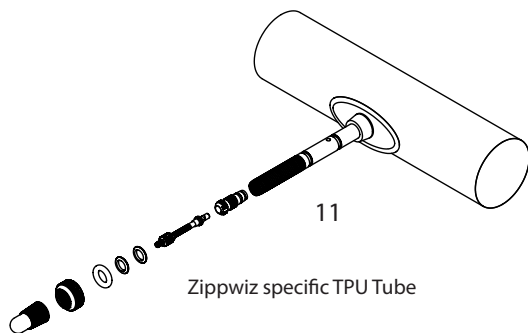


353 NSW ZR1SL

WH-353-NSW-B1



Zipp 353 NSW B1 wheels with pressure sensor:



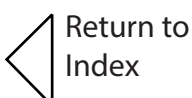
Zippwiz specific valve 60mm

Return to
Index

353 NSW ZR1SL

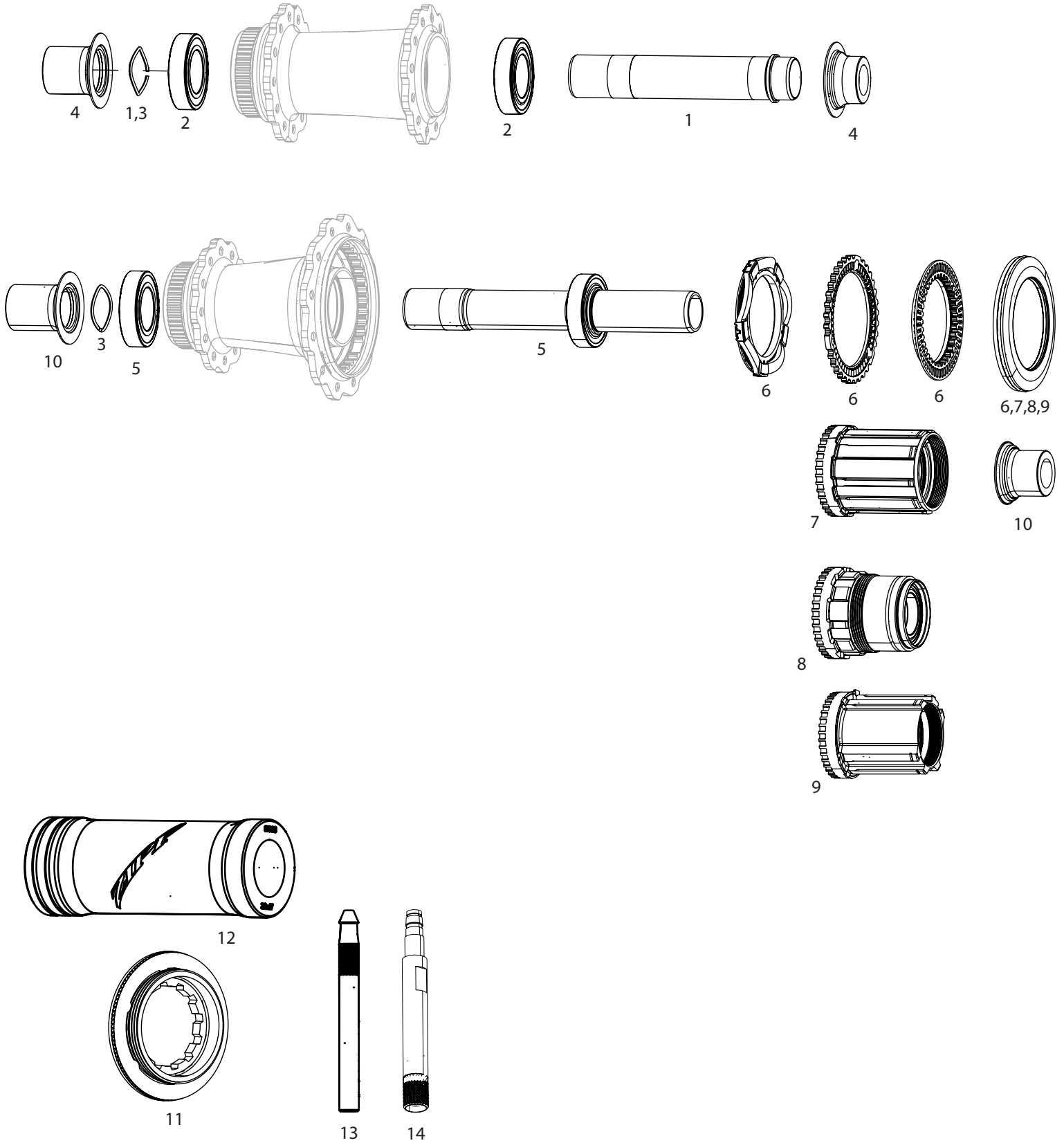
WH-353-NSW-B1

NO.	PART NUMBER	DESCRIPTION
Complete Hubs		
ns	00.2018.055.000	Road Hub Zipp ZR1 SL Front Disc 24H 12x100 Centerlock disc brake Ceramic hybrid Bearings Black (including end caps) A1
ns	00.2018.055.001	Road Hub Zipp ZR1 SL Rear Disc 24H 12x142 Centerlock disc brake Ceramic hybrid Bearings XDR Driver Black (including end caps) A1
ns	00.2018.055.002	Road Hub Zipp ZR1 SL Rear Disc 24H 12x142 Centerlock disc brake Ceramic hybrid Bearings SRAM 10/11sp Driver Black (including end caps) A1
ns	00.2018.055.003	Road Hub Zipp ZR1 SL Front Disc 28H 12x100 Centerlock disc brake Ceramic hybrid Bearings Black (including end caps) A1
ns	00.2018.055.004	Road Hub Zipp ZR1 SL Rear Disc 28H 12x142 Centerlock disc brake Ceramic hybrid Bearings XDR Driver Black (including end caps) A1
ns	00.2018.055.005	Road Hub Zipp ZR1 SL Rear Disc 28H 12x142 Centerlock disc brake Ceramic hybrid Bearings SRAM 10/11sp Driver Black (including end caps) A1
Spare parts		
1	11.2018.064.003	WHEEL AXLE END CAP SET FRONT - DISC - 12x100 - ZR1 HUBS
2	11.2018.064.010	WHEEL AXLE - FRONT - ZIPP ZR1 (AXLE AND WAVE SPRING)
3	11.2018.032.003	WHEEL WAVE SPRING ZIPP COGNITION NSW, ZR1, ZM2 (QTY2)
4	11.2018.067.001	ZIPP Ceramic Bearing Upgrade Kit - 61803 - Compatible with Cognition rim brake front hubs, ZR1/ZM2/Cognition driver bodies (incl. 2 ceramic bearings)
5	11.2028.067.001	FREEHUB KIT SUPER9 B1 - 10/11 SPEED (FOR SPLINED NON-XDR CASSETTES) - CERAMIC 61803 BEARINGS
6	11.2028.067.002	FREEHUB KIT SUPER9 B1 - XDR - CERAMIC 61803 BEARINGS
7	11.2018.065.010	FREEHUB KIT ZR1 DISC BRAKE FOR N3W - INCLUDING N3W SPECIFIC DS END CAP (ADAPTER & LOCKRING ARE NOT INCLUDED)
8	11.2028.069.000	WHEEL BEARING KIT REAR - ZIPP ZR1 SL - 61803 AND 61903 INCLUDING ASSEMBLED AXLE
9	11.2018.064.005	HUB END CAPS - REAR DS AND NDS - 12X142 - XDR AND 11 SPEED - ZR1 HUBS (151-030 / 251-000)
10	11.2018.069.000	HUB END CAPS - REAR DS AND NDS - ZR1 DISC BRAKE N3W CAMPAGNOLO (151-060 & 251-000)
Tools & Accessories		
11	00.1918.787.002	ZIPP AXS Smart Tube TPU 28-35mm - with Zipp tyre pressure sensor specific valve 60mm - designed for 303SW/353NSW with wheel sensor
11	00.1918.787.003	ZIPP AXS Smart Tube TPU 35-50mm - with Zipp tyre pressure sensor specific valve 60mm - designed for 303SW/353NSW with wheel sensor
12	11.1918.096.000	AM ZIPP VALVE ASSEMBLY FOR ZIPP AIR SENSOR QTY1 - ZIPP 303SW A1 AND 353NSW B1 - INCLUDING 2 EXTRA D-RINGS
ns	11.1918.097.000	ZIPP SEALANT INJECTOR - DESIGNED FOR WHEEL SENSOR SPECIFIC VALVES - 303SW A1 AND 353NSW B1
13	11.2018.063.007	Lockring Centerlock Rotor - 23mm 12 notch internal spline - Black ZIPP logo - Bulk QTY 20
13	11.2018.063.005	Lockring Centerlock Rotor - 23mm 12 notch internal spline - Black ZIPP logo QTY 1
14	11.3018.041.000	AM ZIPP Wheel Air Sensor - FRONT - for Presta Valve - Zipp 303SW A1 and 353NSW B1 - Valve not included
14	11.3018.041.001	AM ZIPP Wheel Air Sensor - REAR - for Presta Valve - Zipp 303SW A1 and 353NSW B1 - Valve not included
Spokes/Nipples/Washers		
ns	11.1918.088.018	SPOKES AND NIPPLES 3-PACK 274MM CX-RAY J-BEND TCX EXTERNAL BLACK
ns	11.1918.088.019	SPOKES AND NIPPLES 3-PACK 276MM CX-RAY J-BEND TCX EXTERNAL BLACK
ns	11.1918.088.020	SPOKES AND NIPPLES 3-PACK 278MM CX-RAY J-BEND TCX EXTERNAL BLACK



454 NSW

WH-454-NTLD-B1, WH-454-NTUD-B1



Return to
Index

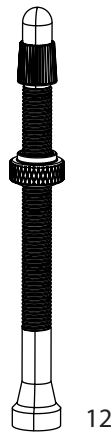
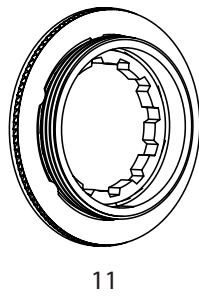
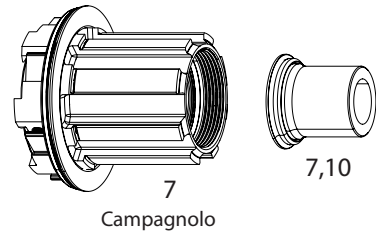
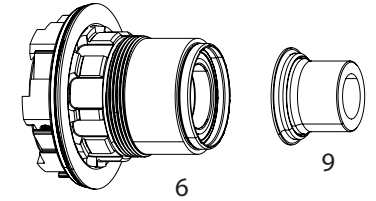
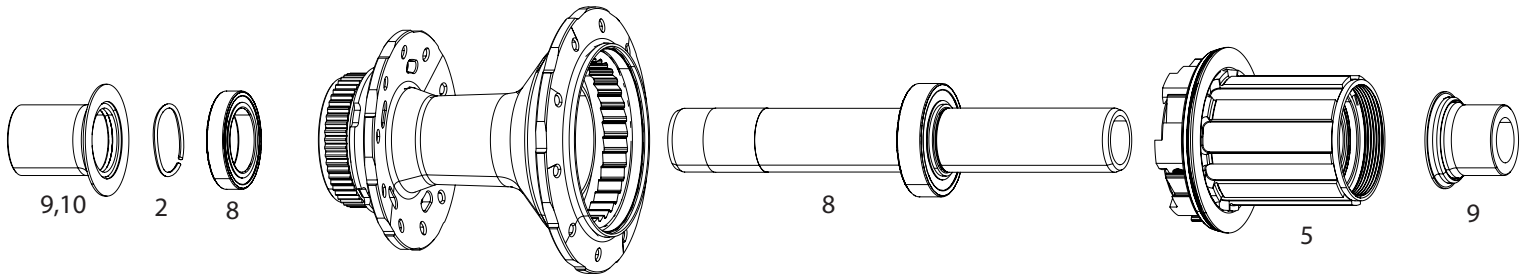
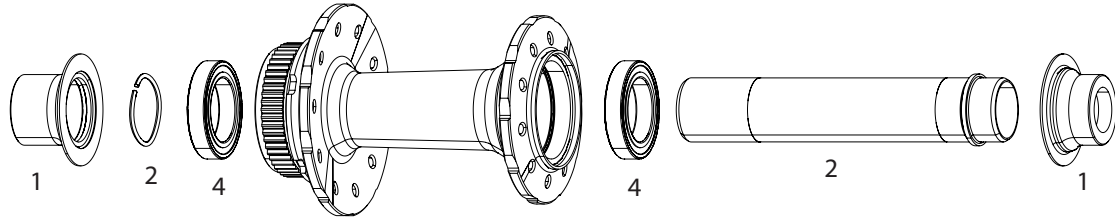
454 NSW

WH-454-NTLD-B1, WH-454-NTUD-B1

NO.	PART NUMBER	DESCRIPTION
Hub		
1	11.2018.065.002	HUB AXLE - FRONT - ZIPP COGNITION V2 DISC BRAKE (AXLE AND WAVE SPRING)
2	11.2018.052.002	WHEEL HUB BEARINGS COGNITION V1/V2 DISC BRAKE NSW (FRONT OR REAR, 1 PAIR)
3	11.2018.032.003	WHEEL WAVE SPRING ZIPP COGNITION NSW, ZR1, ZM2 (QTY2)
4	11.2018.049.000	WHEEL AXLE END CAP SET FRONT ZIPP COGNITION CENTER LOCKING DISC BRAKE THRU AXLE 12X100
ns	11.2018.050.000	WHEEL AXLE END CAP SET FRONT ZIPP COGNITION CENTER LOCKING DISC BRAKE THRU AXLE 15X100
ns	11.2018.048.000	WHEEL AXLE END CAP SET FRONT ZIPP COGNITION CENTER LOCKING DISC BRAKE QUICK RELEASE
ns	11.2018.065.011	FREEHUB KIT NSW DISC BRAKE FOR N3W - INCLUDING N3W SPECIFIC DS END CAP (ADAPTER & LOCKRING ARE NOT INCLUDED)
5	11.2018.065.004	HUB AXLE - REAR - ZIPP COGNITION V2 DISC BRAKE NSW WITH BEARINGS (2X 61903)
6	11.2018.065.006	HUB COGNITION V2 AXIAL CLUTCH KIT DISC BRAKE / RIM BRAKE (INCLUDES RATCHET SHELL AND DRIVER, SYLOMER SPRING ASSEMBLY AND SEAL CAP)
7	11.2018.065.000	FREEHUB KIT COGNITION V2 NSW DISC BRAKE / RIM BRAKE 11/12 SPEED (FOR SPLINED NON-XDR CASSETTES)
8	11.2018.065.001	HUB FREEHUB KIT COGNITION V2 NSW DISC BRAKE / RIM BRAKE XDR
9	11.2018.065.009	HUB FREEHUB KIT COGNITION V2 NSW DISC BRAKE / RIM BRAKE CAMPAGNOLO
10	11.2018.065.007	HUB AXLE END CAP SET REAR ZIPP COGNITION V2 DISC BRAKE / RIM BRAKE COMPATIBLE WITH XDR AND 11-SPD
ns	11.2018.049.040	WHEEL AXLE END CAP SET REAR ZIPP COGNITION CENTER LOCKING DISC BRAKE THRU AXLE 12X142 CAMPY
Spokes/Nipples/Washers		
ns	11.1918.088.004	SPOKES AND NIPPLES 3-PACK 248MM CX-RAY J-BEND TCX EXTERNAL BLACK
ns	11.1918.088.005	SPOKES AND NIPPLES 3-PACK 252MM CX-RAY J-BEND TCX EXTERNAL BLACK
ns	11.1918.088.006	SPOKES AND NIPPLES 3-PACK 254MM CX-RAY J-BEND TCX EXTERNAL BLACK
Tools & Accessories		
11	11.2018.063.007	Lockring Centerlock Rotor - 23mm 12 notch internal spline - Black ZIPP logo - Bulk QTY 20
11	11.2018.063.005	Lockring Centerlock Rotor - 23mm 12 notch internal spline - Black ZIPP logo QTY 1
12	00.2018.037.000	Bearing Press Tool 61903, All Zipp hubs - ZR1, ZM2, SL, 700, Cognition
13	00.1915.130.080	Zipp Valve Extension Black 48mm for Zipp 60/404 (use with threaded presta valve)
14	11.1918.085.001	ZIPP TANGENTE ALUMINUM KNURLED VALVE EXTENDER KIT 60/404 41MM (QTY 2) AND WRENCH (QTY 2) (USE WITH REMOVABLE PRESTA VALVE, RECOMMENDED FOR USE WITH ZIPP TANGENTE TUBE)
ns	11.1918.084.002	TUBELESS KIT INCLUDES 10 METER OF 26MM TAPE, 2 UNIVERSAL VALVES 80MM & 1 VALVE CORE WRENCH (FITS 454,404)



454 NSW ZR1SL
WH-454-NTLD-C1



Return to
Index

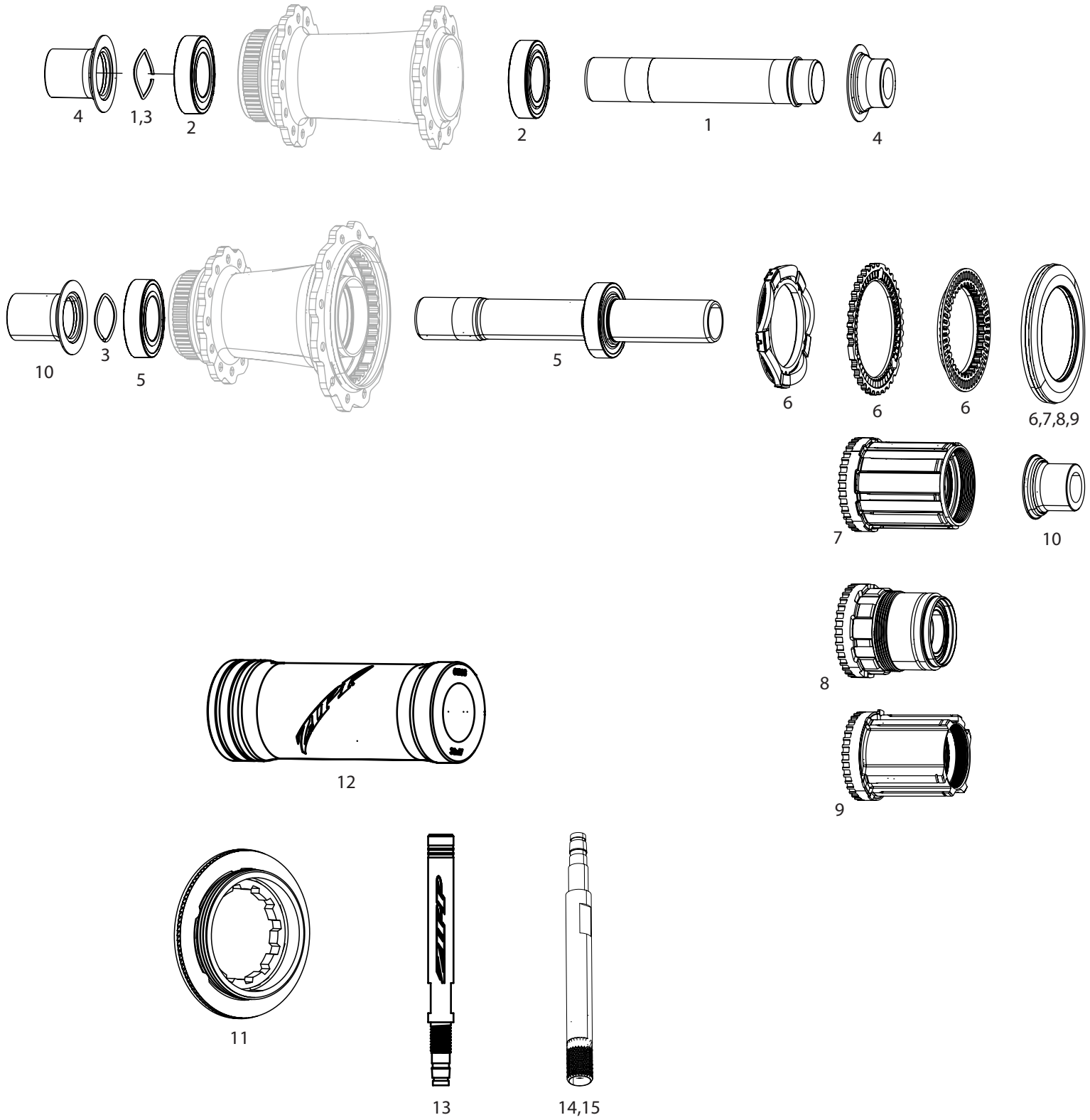
454 NSW ZR1SL

WH-454-NTLD-C1

NO.	PART NUMBER	DESCRIPTION
Complete Hubs		
ns	00.2018.055.000	Road Hub Zipp ZR1 SL Front Disc 24H 12x100 Centerlock disc brake Ceramic hybrid Bearings Black (including end caps) A1
ns	00.2018.055.001	Road Hub Zipp ZR1 SL Rear Disc 24H 12x142 Centerlock disc brake Ceramic hybrid Bearings XDR Driver Black (including end caps) A1
ns	00.2018.055.002	Road Hub Zipp ZR1 SL Rear Disc 24H 12x142 Centerlock disc brake Ceramic hybrid Bearings SRAM 10/11sp Driver Black (including end caps) A1
ns	00.2018.055.003	Road Hub Zipp ZR1 SL Front Disc 28H 12x100 Centerlock disc brake Ceramic hybrid Bearings Black (including end caps) A1
ns	00.2018.055.004	Road Hub Zipp ZR1 SL Rear Disc 28H 12x142 Centerlock disc brake Ceramic hybrid Bearings XDR Driver Black (including end caps) A1
ns	00.2018.055.005	Road Hub Zipp ZR1 SL Rear Disc 28H 12x142 Centerlock disc brake Ceramic hybrid Bearings SRAM 10/11sp Driver Black (including end caps) A1
Spare parts		
1	11.2018.064.003	WHEEL AXLE END CAP SET FRONT - DISC - 12x100 - ZR1 HUBS
2	11.2018.064.010	WHEEL AXLE - FRONT - ZIPP ZR1 (AXLE AND WAVE SPRING)
3	11.2018.032.003	WHEEL WAVE SPRING ZIPP COGNITION NSW, ZR1, ZM2 (QTY2)
4	11.2018.067.001	ZIPP Ceramic Bearing Upgrade Kit - 61803 - Compatible with Cognition rim brake front hubs, ZR1/ZM2/Cognition driver bodies (incl. 2 ceramic bearings)
5	11.2028.067.001	FREEHUB KIT SUPER9 B1 - 10/11 SPEED (FOR SPLINED NON-XDR CASSETTES) - CERAMIC 61803 BEARINGS
6	11.2028.067.002	FREEHUB KIT SUPER9 B1 - XDR - CERAMIC 61803 BEARINGS
7	11.2018.065.010	FREEHUB KIT ZR1 DISC BRAKE FOR N3W - INCLUDING N3W SPECIFIC DS END CAP (ADAPTER & LOCKRING ARE NOT INCLUDED)
8	11.2028.069.000	WHEEL BEARING KIT REAR - ZIPP ZR1 SL - 61803 AND 61903 INCLUDING ASSEMBLED AXLE
9	11.2018.064.005	HUB END CAPS - REAR DS AND NDS - 12X142 - XDR AND 11 SPEED - ZR1 HUBS (151-030 / 251-000)
10	11.2018.069.000	HUB END CAPS - REAR DS AND NDS - ZR1 DISC BRAKE N3W CAMPAGNOLO (151-060 & 251-000)
Tools & Accessories		
11	11.2018.063.007	Lockring Centerlock Rotor - 23mm 12 notch internal spline - Black ZIPP logo - Bulk QTY 20
11	11.2018.063.005	Lockring Centerlock Rotor - 23mm 12 notch internal spline - Black ZIPP logo QTY 1
12	11.1918.093.004	Tubeless Universal Valve, Removable Valve Core (includes 1 tubeless valve 80MM and 1 valve core wrench) - ZIPP 303XPLR,404 and 454
ns	11.1918.084.002	TUBELESS KIT INCLUDES 10 METER OF 26MM TAPE, 2 UNIVERSAL VALVES 80MM & 1 VALVE CORE WRENCH (FITS 454,404)
Spokes/Nipples/Washers		
ns	11.1918.088.005	SPOKES AND NIPPLES 3-PACK 252MM CX-RAY J-BEND TCX EXTERNAL BLACK
ns	11.1918.088.006	SPOKES AND NIPPLES 3-PACK 254MM CX-RAY J-BEND TCX EXTERNAL BLACK
ns	11.1918.088.014	SPOKES AND NIPPLES 3-PACK 256MM CX-RAY J-BEND TCX EXTERNAL BLACK



858 NSW
WH-858-NTLD-B1

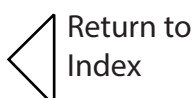


Return to
Index

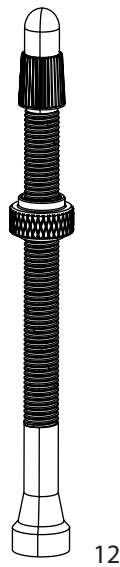
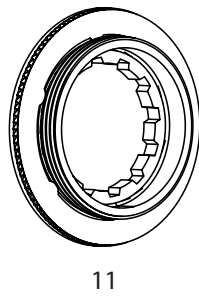
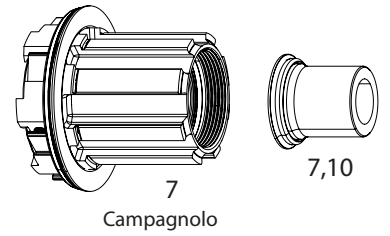
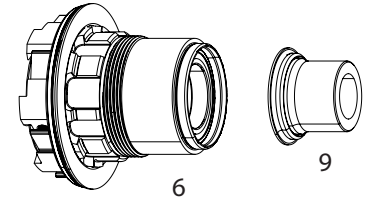
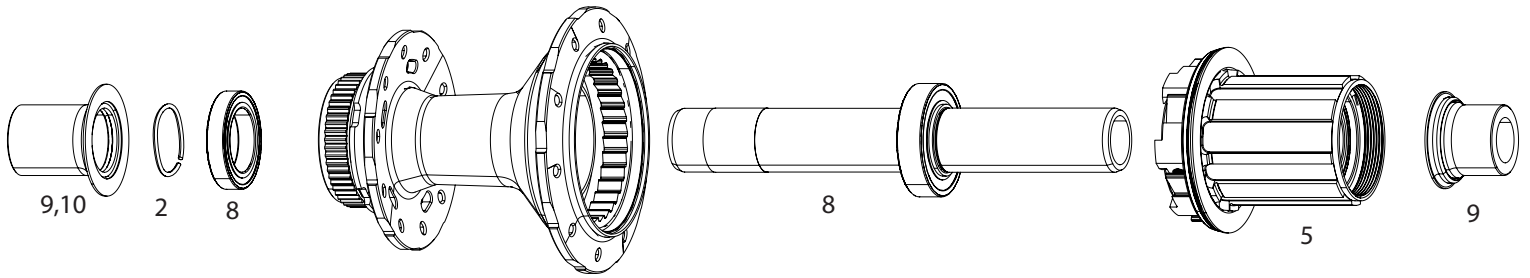
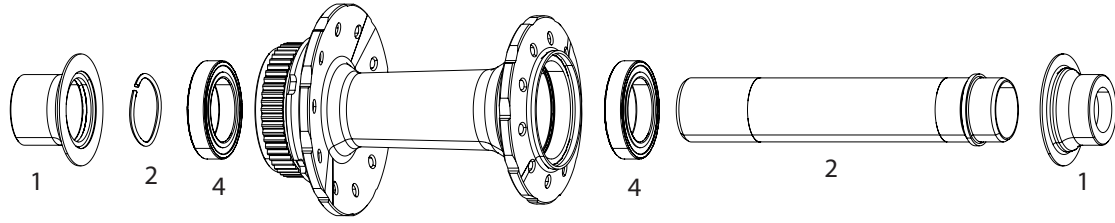
858 NSW

WH-858-NTLD-B1

NO.	PART NUMBER	DESCRIPTION
Hub		
1	11.2018.065.002	HUB AXLE - FRONT - ZIPP COGNITION V2 DISC BRAKE (AXLE AND WAVE SPRING)
2	11.2018.052.002	WHEEL HUB BEARINGS COGNITION V1/V2 DISC BRAKE NSW (FRONT OR REAR, 1 PAIR)
3	11.2018.032.003	WHEEL WAVE SPRING ZIPP COGNITION NSW, ZR1, ZM2 (QTY2)
4	11.2018.049.000	WHEEL AXLE END CAP SET FRONT ZIPP COGNITION CENTER LOCKING DISC BRAKE THRU AXLE 12X100
ns	11.2018.050.000	WHEEL AXLE END CAP SET FRONT ZIPP COGNITION CENTER LOCKING DISC BRAKE THRU AXLE 15X100
ns	11.2018.048.000	WHEEL AXLE END CAP SET FRONT ZIPP COGNITION CENTER LOCKING DISC BRAKE QUICK RELEASE
ns	11.2018.065.011	FREEHUB KIT NSW DISC BRAKE FOR N3W - INCLUDING N3W SPECIFIC DS END CAP (ADAPTER & LOCKRING ARE NOT INCLUDED)
5	11.2018.065.004	HUB AXLE - REAR - ZIPP COGNITION V2 DISC BRAKE NSW WITH BEARINGS (2X 61903)
6	11.2018.065.006	HUB COGNITION V2 AXIAL CLUTCH KIT DISC BRAKE / RIM BRAKE (INCLUDES RATCHET SHELL AND DRIVER, SYLOMER SPRING ASSEMBLY AND SEAL CAP)
7	11.2018.065.000	FREEHUB KIT COGNITION V2 NSW DISC BRAKE / RIM BRAKE 11/12 SPEED (FOR SPLINED NON-XDR CASSETTES)
8	11.2018.065.001	HUB FREEHUB KIT COGNITION V2 NSW DISC BRAKE / RIM BRAKE XDR
9	11.2018.065.009	HUB FREEHUB KIT COGNITION V2 NSW DISC BRAKE / RIM BRAKE CAMPAGNOLO
10	11.2018.065.007	HUB AXLE END CAP SET REAR ZIPP COGNITION V2 DISC BRAKE / RIM BRAKE COMPATIBLE WITH XDR AND 11-SPD
ns	11.2018.049.040	WHEEL AXLE END CAP SET REAR ZIPP COGNITION CENTER LOCKING DISC BRAKE THRU AXLE 12X142 CAMPY
Spokes/Nipples/Washers		
ns	11.1918.072.003	SPOKES & NIPPLES & WASHERS 3-PACK 226MM CX-RAY J-BEND EXTERNAL BLACK
ns	11.1918.088.002	SPOKES AND NIPPLES 3-PACK 230MM CX-RAY J-BEND TCX EXTERNAL BLACK
ns	11.1918.088.003	SPOKES AND NIPPLES 3-PACK 232MM CX-RAY J-BEND TCX EXTERNAL BLACK
Tools & Accessories		
11	11.2018.063.007	Lockring Centerlock Rotor - 23mm 12 notch internal spline - Black ZIPP logo - Bulk QTY 20
11	11.2018.063.005	Lockring Centerlock Rotor - 23mm 12 notch internal spline - Black ZIPP logo QTY 1
12	00.2018.037.000	Bearing Press Tool 61903, All Zipp hubs - ZR1, ZM2, SL, 700, Cognition
13	00.1915.130.090	Zipp Valve Extension Black 72mm for Zipp 808 (use with threaded presta valve)
14	00.1918.259.010	Zipp Tangente Aluminum Knurled Valve Extender 808 65mm (Qty 1) (use with Removable Presta Valve, recommended for use with Zipp Tangente Tube)
15	11.1918.085.002	ZIPP TANGENTE ALUMINUM KNURLED VALVE EXTENDER KIT 808 65MM (QTY 2) AND WRENCH (QTY 2) (USE WITH REMOVABLE PRESTA VALVE, RECOMMENDED FOR USE WITH ZIPP TANGENTE TUBE)
ns	11.1918.084.003	TUBELESS KIT INCLUDES 10 METER OF 23MM TAPE, 2 UNIVERSAL VALVES 100MM, 1 VALVE CORE WRENCH (FITS 858 B1,808 NSW)



858 NSW ZR1SL
WH-858-NTLD-D1



Return to
Index

858 NSW ZR1SL

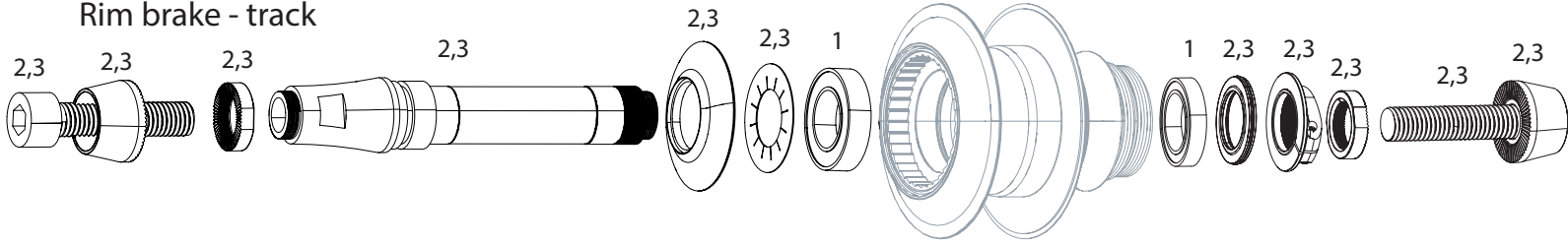
WH-858-NTLD-D1

NO.	PART NUMBER	DESCRIPTION
Complete Hubs		
ns	00.2018.055.000	Road Hub Zipp ZR1 SL Front Disc 24H 12x100 Centerlock disc brake Ceramic hybrid Bearings Black (including end caps) A1
ns	00.2018.055.001	Road Hub Zipp ZR1 SL Rear Disc 24H 12x142 Centerlock disc brake Ceramic hybrid Bearings XDR Driver Black (including end caps) A1
ns	00.2018.055.002	Road Hub Zipp ZR1 SL Rear Disc 24H 12x142 Centerlock disc brake Ceramic hybrid Bearings SRAM 10/11sp Driver Black (including end caps) A1
ns	00.2018.055.003	Road Hub Zipp ZR1 SL Front Disc 28H 12x100 Centerlock disc brake Ceramic hybrid Bearings Black (including end caps) A1
ns	00.2018.055.004	Road Hub Zipp ZR1 SL Rear Disc 28H 12x142 Centerlock disc brake Ceramic hybrid Bearings XDR Driver Black (including end caps) A1
ns	00.2018.055.005	Road Hub Zipp ZR1 SL Rear Disc 28H 12x142 Centerlock disc brake Ceramic hybrid Bearings SRAM 10/11sp Driver Black (including end caps) A1
Spare parts		
1	11.2018.064.003	WHEEL AXLE END CAP SET FRONT - DISC - 12x100 - ZR1 HUBS
2	11.2018.064.010	WHEEL AXLE - FRONT - ZIPP ZR1 (AXLE AND WAVE SPRING)
3	11.2018.032.003	WHEEL WAVE SPRING ZIPP COGNITION NSW, ZR1, ZM2 (QTY2)
4	11.2018.067.001	ZIPP Ceramic Bearing Upgrade Kit - 61803 - Compatible with Cognition rim brake front hubs, ZR1/ZM2/Cognition driver bodies (incl. 2 ceramic bearings)
5	11.2028.067.001	FREEHUB KIT SUPER9 B1 - 10/11 SPEED (FOR SPLINED NON-XDR CASSETTES) - CERAMIC 61803 BEARINGS
6	11.2028.067.002	FREEHUB KIT SUPER9 B1 - XDR - CERAMIC 61803 BEARINGS
7	11.2018.065.010	FREEHUB KIT ZR1 DISC BRAKE FOR N3W - INCLUDING N3W SPECIFIC DS END CAP (ADAPTER & LOCKRING ARE NOT INCLUDED)
8	11.2028.069.000	WHEEL BEARING KIT REAR - ZIPP ZR1 SL - 61803 AND 61903 INCLUDING ASSEMBLED AXLE
9	11.2018.064.005	HUB END CAPS - REAR DS AND NDS - 12X142 - XDR AND 11 SPEED - ZR1 HUBS (151-030 / 251-000)
10	11.2018.069.000	HUB END CAPS - REAR DS AND NDS - ZR1 DISC BRAKE N3W CAMPAGNOLO (151-060 & 251-000)
Tools & Accessories		
11	11.2018.063.007	Lockring Centerlock Rotor - 23mm 12 notch internal spline - Black ZIPP logo - Bulk QTY 20
11	11.2018.063.005	Lockring Centerlock Rotor - 23mm 12 notch internal spline - Black ZIPP logo QTY 1
12	11.1918.093.005	Tubeless Universal Valve, Removable Valve Core (includes 1 tubeless valve 100MM and 1 valve core wrench) - ZIPP 808, 858
ns	11.1918.084.004	TUBELESS KIT INCLUDES 10 METER OF 26MM TAPE, 2 UNIVERSAL VALVES 100MM & 1 VALVE CORE WRENCH (FITS 808 FIRECREST, 858 D1)
Spokes/Nipples/Washers		
ns	11.1918.088.003	SPOKES AND NIPPLES 3-PACK 232MM CX-RAY J-BEND TCX EXTERNAL BLACK
ns	11.1918.088.016	SPOKES AND NIPPLES 3-PACK 234MM CX-RAY J-BEND TCX EXTERNAL BLACK
ns	11.1918.088.002	SPOKES AND NIPPLES 3-PACK 230MM CX-RAY J-BEND TCX EXTERNAL BLACK



TRACK Wheels SUPER 9 TRACK / 900 TRACK

Rim brake - track



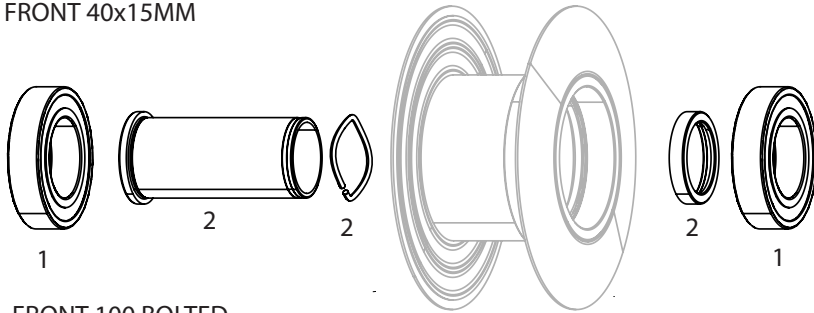
NO.	PART NUMBER	DESCRIPTION
1	11.2018.024.000	WHEEL HUB BEARINGS REAR PAIR ZIPP 188 V9 (61903)
1	11.1915.064.000	WHEEL HUB BEARINGS FRONT OR REAR PAIR ZIPP SUPER 9 (61903 & 61803 2RS)
2	11.1918.026.000	WHEEL CONVERSION KIT DISC 11 SPEED TO TRACK 188 BLACK
3	11.2100.107.000	WHEEL AXLE CONVERSION KIT TRACK/DISC 188 (CASSETTE TO TRACK 10 SPEED HUBS ONLY)
ns	11.1918.094.000	SUPER 9 VALVE DECAL (AS OF 2023 UPDATED ZIPP BRAND LOGO) QTY 5

Return to
Index

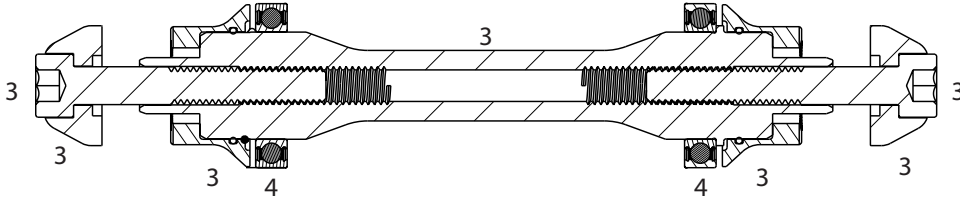
TRACK Wheels SUPER 9 TRACK

WH-SP9-TLTK-B1

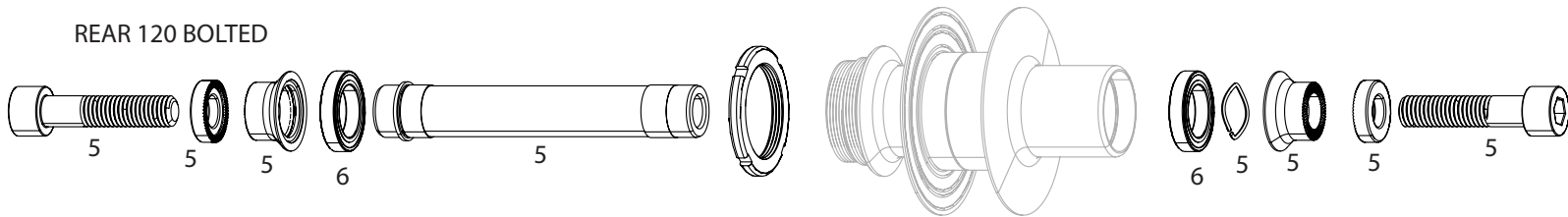
FRONT 40x15MM



FRONT 100 BOLTED



REAR 120 BOLTED

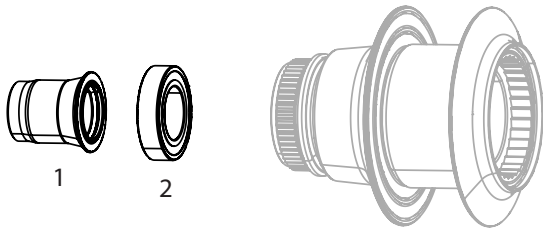


NO.	PART NUMBER	DESCRIPTION
<u>FRONT 40x15MM</u>		
1	11.2018.067.000	ZIPP Ceramic Bearing Upgrade Kit - 61903 - Compatible with ZR1/ZM2 hubs, Cognition Rear hubs, Cognition/76 disc front hubs, 176 all rear hubs (incl. 2 ceramic bearings)
ns	11.1918.093.000	Tubeless Universal Valve, Removable Valve Core (includes 1 tubeless valve 44MM and 1 valve core wrench) - ZIPP 1ZERO
2	11.2028.068.000	AXLE KIT SUPER 9 TRACK B1 15X40 (HUB AXLE INCLUDING END CAP AND WAVE SPRING)
<u>FRONT 100 BOLTED</u>		
3	11.2028.068.001	AXLE KIT SUPER 9 TRACK B1 100 FRONT BOLTED (FULL SERVICE KIT OF AXLE 100MM INCLUDING AXLE BOLTS PLUS CAPS WITH END CAPS AND WAVE SPRING)
4	11.2018.067.001	ZIPP Ceramic Bearing Upgrade Kit - 61803 - Compatible with Cognition rim brake front hubs, ZR1/ZM2/Cognition driver bodies (incl. 2 ceramic bearings)
ns	11.1918.093.000	Tubeless Universal Valve, Removable Valve Core (includes 1 tubeless valve 44MM and 1 valve core wrench) - ZIPP 1ZERO
<u>REAR 120 BOLTED</u>		
5	11.2028.068.002	AXLE KIT SUPER 9 TRACK B1 120 REAR BOLTED (FULL SERVICE KIT OF REAR AXLE 120MM INCLUDING AXLE BOLT PLUS WASHER WITH END CAPS AND WAVE SPRING)
6	11.2018.067.001	ZIPP Ceramic Bearing Upgrade Kit - 61803 - Compatible with Cognition rim brake front hubs, ZR1/ZM2/Cognition driver bodies (incl. 2 ceramic bearings)
ns	11.1918.093.000	Tubeless Universal Valve, Removable Valve Core (includes 1 tubeless valve 44MM and 1 valve core wrench) - ZIPP 1ZERO

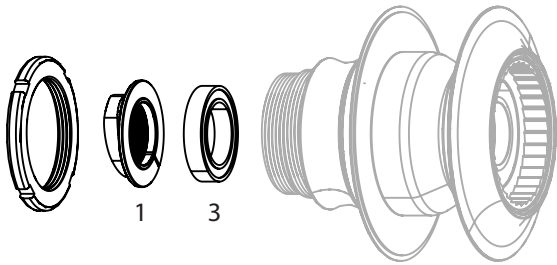
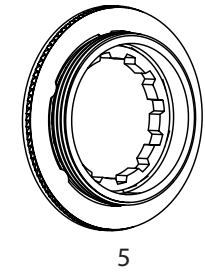
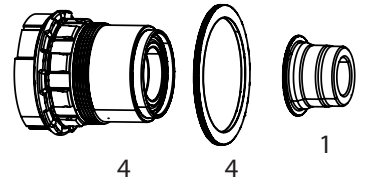
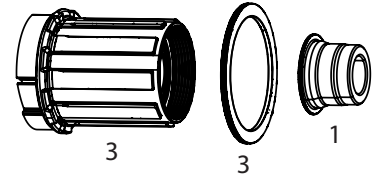
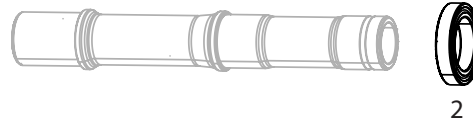


DISC wheels SUPER 9

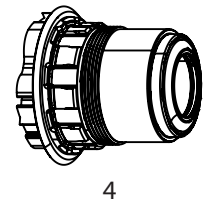
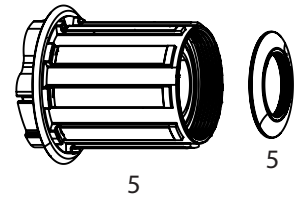
WH-SP9-TLD-A1, WH-SP9-TLR-A1, WH-SP9-TUD-A2, WH-SP9-TUR-A2



DISC BRAKE



RIM BRAKE



Return to
Index

DISC wheels SUPER 9

WH-SP9-TLD-A1, WH-SP9-TLR-A1


NO. PART NUMBER DESCRIPTION

WH-SP9-TLD-A1, WH-SP9-TUD-A2

1	11.2018.066.000	WHEEL AXLE END CAP SET REAR ZIPP SUPER 9 DISC BRAKE 12X142 THRU-AXLE
2	11.2018.061.002	WHEEL BEARING KIT REAR ZIPP SUPER 9 DISC BRAKE 61803 QTY 1, 61903 QTY 1
3	11.2018.061.000	FREEHUB KIT 176/177 SS - 11/12 SPEED (FOR SPLINED NON-XDR CASSETTES)
4	11.2018.062.000	WHEEL FREEHUB KIT SS 176/177 SRAM XDR
5	11.2018.063.005	Lockring Centerlock Rotor - 23mm 12 notch internal spline - Black ZIPP logo QTY 1
ns	11.2018.061.001	WHEEL FREEHUB KIT SS 176/177 11 SPEED CAMPAGNOLO
ns	11.1918.094.000	SUPER 9 VALVE DECAL (AS OF 2023 UPDATED ZIPP BRAND LOGO) QTY 5

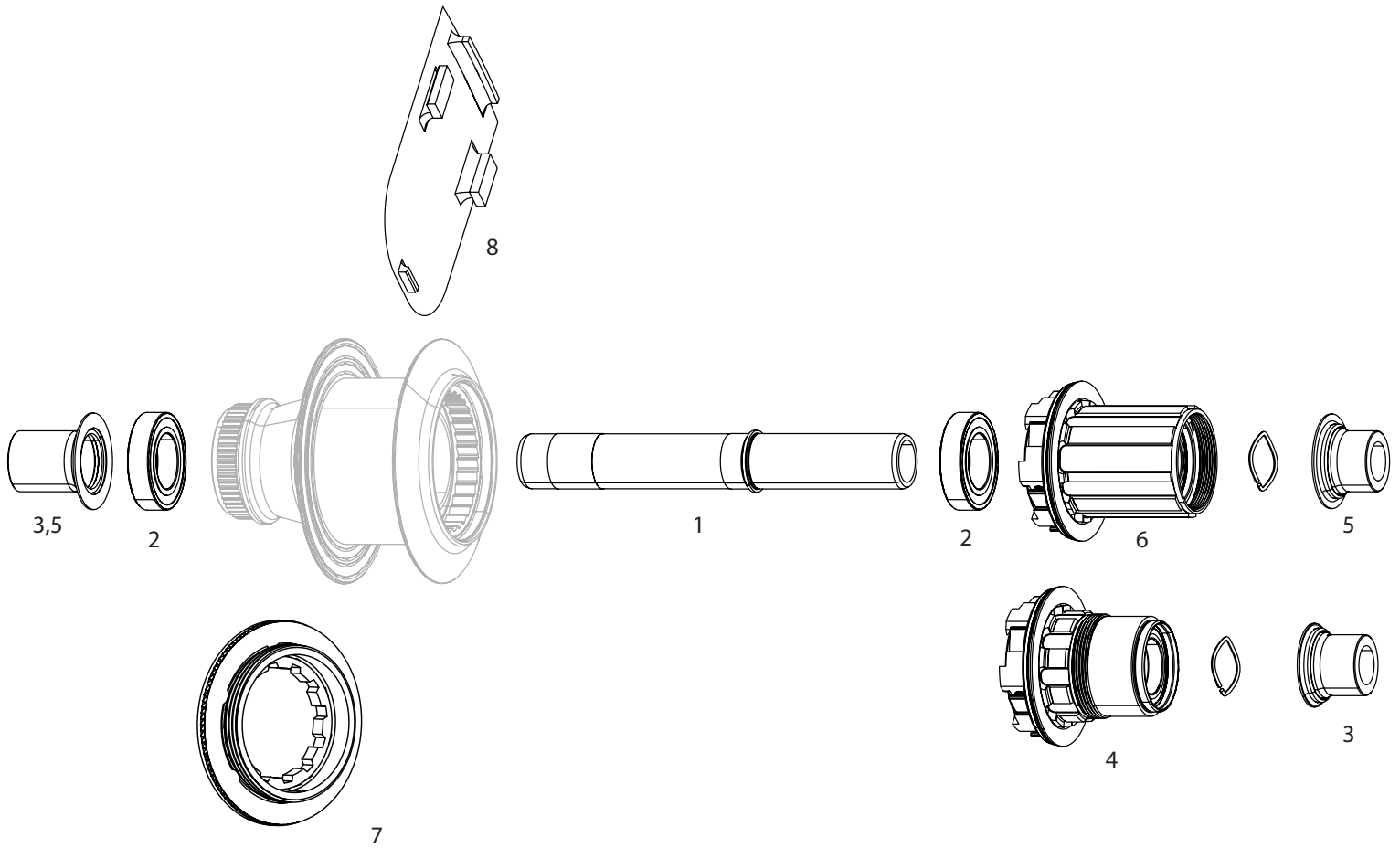
WH-SP9-TLR-A1, WH-SP9-TUR-A2

1	11.2018.000.002	WHEEL CLINCH NUT AND SCREW THREADED BLACK REAR 188V7
3	11.1915.064.000	WHEEL HUB BEARINGS FRONT OR REAR PAIR ZIPP SUPER 9 (61903 & 61803 2RS)
4	11.1918.077.000	WHEEL FREEHUB KIT SRAM XDR (SUPER 9RB ONLY)
5	11.1918.007.000	FREEHUB KIT 188 - 11/12 SPEED (FOR SPLINED NON-XDR CASSETTES)
ns	11.1918.094.000	SUPER 9 VALVE DECAL (AS OF 2023 UPDATED ZIPP BRAND LOGO) QTY 5
ns	11.1918.084.006	TUBELESS KIT INCLUDES 10 METER OF 23MM TAPE, 2 UNIVERSAL VALVES 44MM, 1 VALVE WASHER & 1 VALVE CORE WRENCH (FITS SUPER9)
ns	11.1918.099.000	Valve Adapter Arundel Hansel Pump head - Silver - Compatible with all schrader valves and Super 9 disc

 Return to
Index

DISC wheels SUPER 9

WH-SP9-TLD-B1

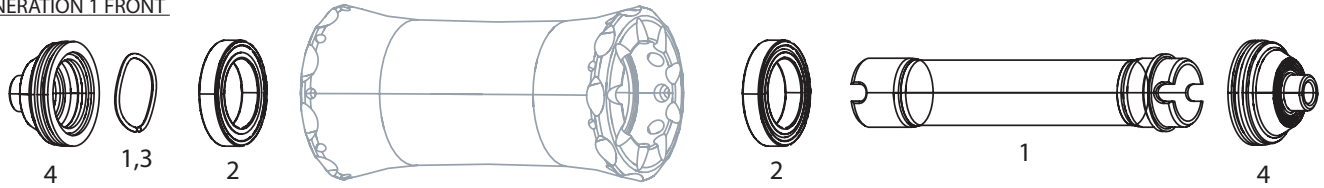


NO.	PART NUMBER	DESCRIPTION
1	11.2028.067.003	AXLE - REAR - SUPER9 B1 (INCLUDING WAVE SPRING)
2	11.2018.067.000	ZIPP Ceramic Bearing Upgrade Kit - 61903 - Compatible with ZR1/ZM2 hubs, Cognition Rear hubs, Cognition/76 disc front hubs, 176 all rear hubs (incl. 2 ceramic bearings)
3	11.2018.064.005	WHEEL AXLE END CAP SET REAR - 12X142 - XDR AND 11 SPEED - ZR1 HUBS (151-030 / 251-000)
4	11.2028.067.002	FREEHUB KIT SUPER9 B1 - XDR - CERAMIC 61803 BEARINGS
5	11.2028.067.000	END CAP SET REAR ZIPP SUPER9 B1 DISC BRAKE COMPATIBLE WITH SRAM 10/11-SPD
6	11.2028.067.001	FREEHUB KIT SUPER9 B1 - 10/11 SPEED (FOR SPLINED NON-XDR CASSETTES) - CERAMIC 61803 BEARINGS
7	11.2018.063.005	Lockring Centerlock Rotor - 23mm 12 notch internal spline - Black ZIPP logo QTY 1
8	11.1918.095.000	VALVE HOLE COVER QTY 1 FOR SUPER 9 (INCLUDING 1 DECAL)

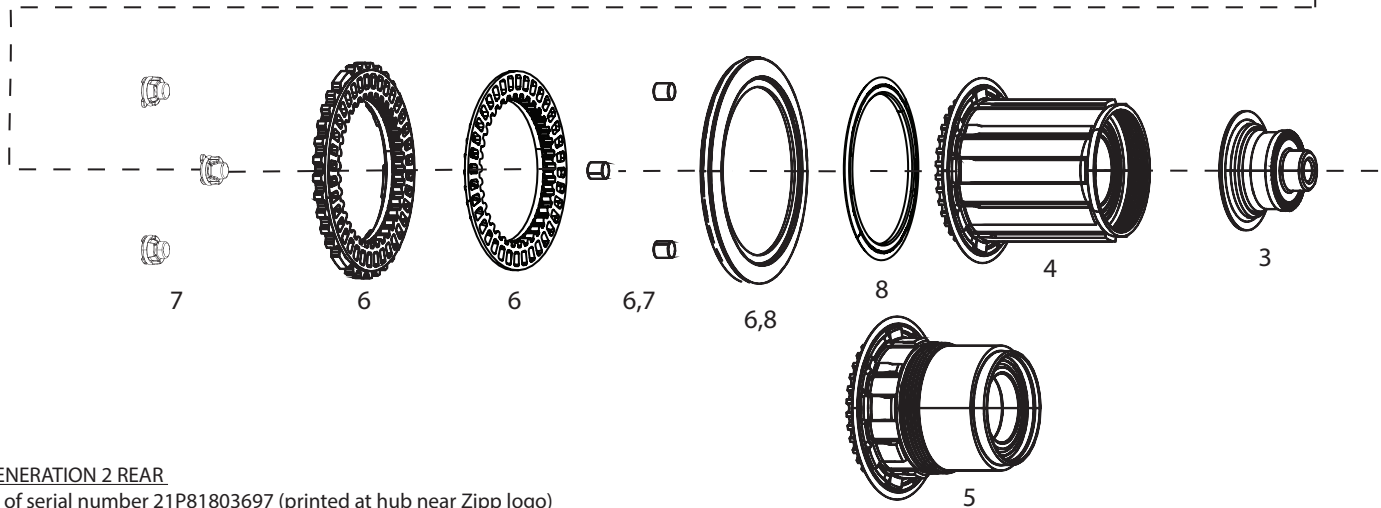
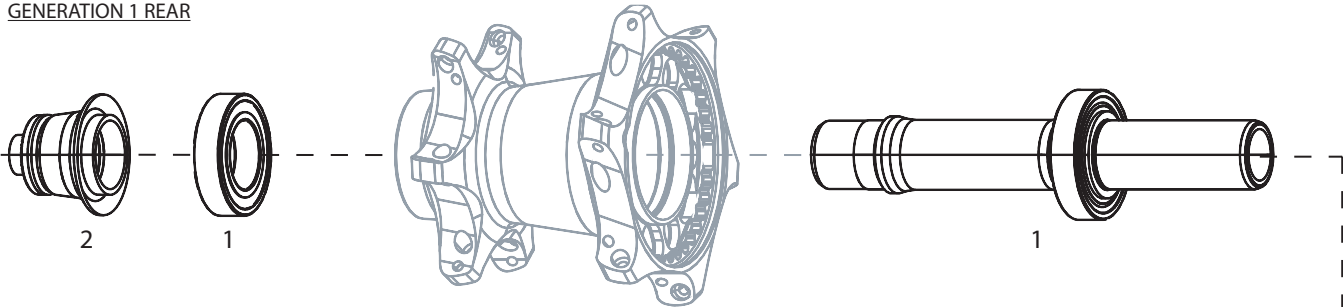
Return to
Index

Cognition V1 rim brake hubs

GENERATION 1 FRONT

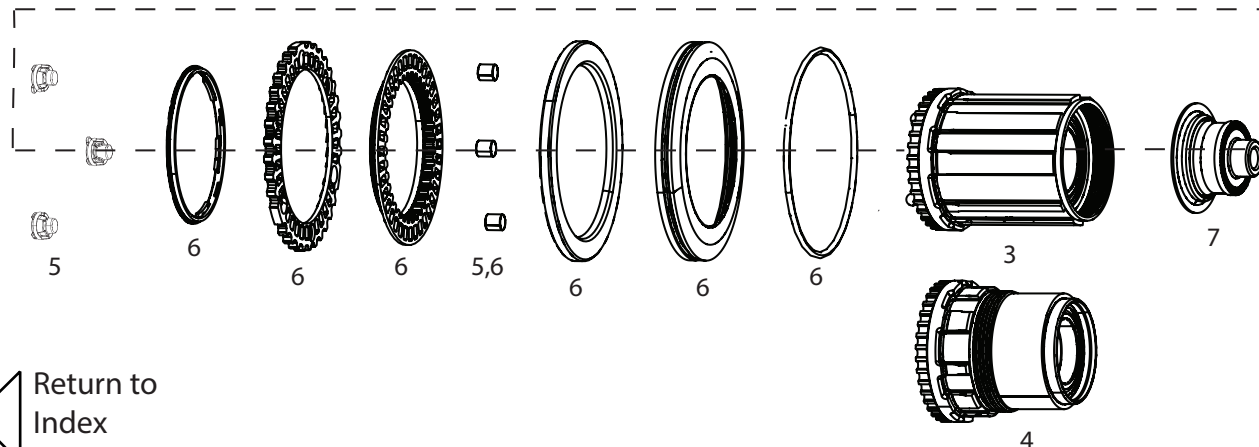
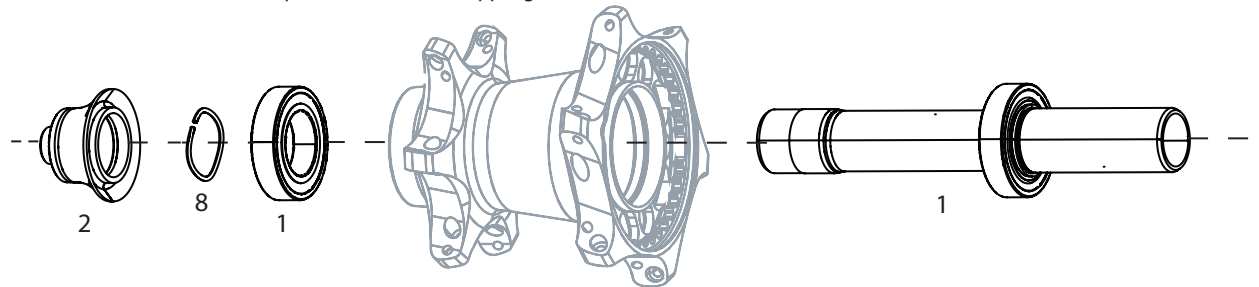


GENERATION 1 REAR



GENERATION 2 REAR

as of serial number 21P81803697 (printed at hub near Zipp logo)



Return to
Index

Cognition V1 rim brake hubs

FRONT (GENERATION 1&2)

NO.	PART NUMBER	DESCRIPTION
1	11.2018.032.000	WHEEL AXLE FRONT ZIPP COGNITION NSW WITH WAVE SPRING
2	11.2018.032.001	WHEEL BEARING KIT FRONT ZIPP 76/77/COGNITION NSW / DRIVER BODY ZR1 - 61803 QTY 2
3	11.2018.032.003	WHEEL WAVE SPRING ZIPP COGNITION NSW, ZR1, ZM2 (QTY2)
4	11.2018.033.000	WHEEL AXLE END CAP ASSEMBLY FRONT ZIPP COGNITION NSW HUB

REAR (GENERATION 1)

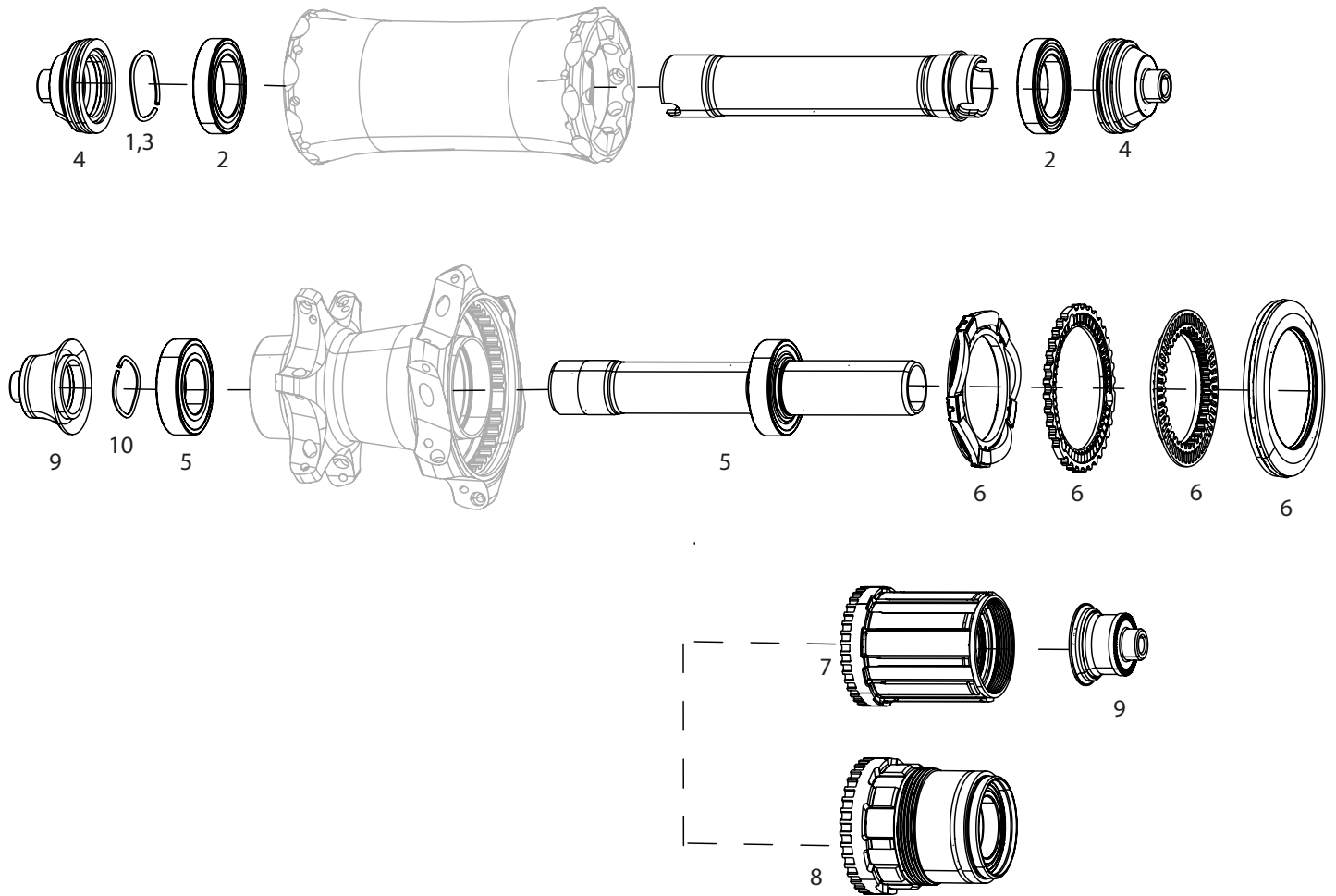
NO.	PART NUMBER	DESCRIPTION
1	11.2018.032.002	WHEEL AXLE REAR ZIPP COGNITION NSW WITH BEARINGS
2	11.2018.033.001	WHEEL AXLE END CAP ASSEMBLY NON DRIVE REAR ZIPP COGNITION NSW
3	11.2018.033.002	WHEEL AXLE END CAP ASSEMBLY DRIVE SIDE REAR ZIPP COGNITION NSW SRAM
3	11.2018.033.003	WHEEL AXLE END CAP ASSEMBLY DRIVE SIDE REAR ZIPP COGNITION NSW XDR/CAMPAGNOLO GENERATION 1 AND XDR GENERATION 2
4	11.2018.034.000	FREEHUB KIT COGNITION NSW - 11/12 SPEED (FOR SPLINED NON-XDR CASSETTES)
ns	11.2018.034.001	WHEEL FREEHUB KIT COGNITION NSW 11-SPEED CAMPAGNOLO (NOT COMPATIBLE WITH N3W)
5	11.2018.034.002	WHEEL FREEHUB KIT COGNITION NSW XDR
6	11.2018.035.000	WHEEL CLUTCH ASSEMBLY AND SEAL FOR REAR ZIPP COGNITION NSW
7	11.2018.035.001	WHEEL MAGNET KIT INNER AND OUTER FOR REAR ZIPP COGNITION NSW
8	11.2018.037.000	WHEEL SEAL CAP AND V-RING REAR ZIPP COGNITION NSW
ns	00.1918.177.050	Bearing Press Tool 6804, Zipp Cognition Rear Hub

REAR (GENERATION 2)

1	11.2018.056.000	WHEEL AXLE REAR ZIPP COGNITION NSW WITH BEARINGS GENERATION 2
2	11.2018.057.000	WHEEL AXLE END CAP ASSEMBLY NON DRIVE REAR ZIPP COGNITION NSW GENERATION 2
3	11.2018.051.000	WHEEL FREEHUB KIT COGNITION NSW 11-SPEED SRAM DISC BRAKE / RIM BRAKE GENERATION 2
4	11.2018.051.002	WHEEL FREEHUB KIT COGNITION NSW XDR DISC BRAKE / RIM BRAKE GENERATION 2
5	11.2018.035.001	WHEEL MAGNET KIT INNER AND OUTER FOR REAR ZIPP COGNITION NSW
6	11.2018.053.000	WHEEL CLUTCH ASSEMBLY AND SEAL FOR REAR ZIPP COGNITION NSW DISC BRAKE / RIM BRAKE GENERATION 2
7	11.2018.033.002	WHEEL AXLE END CAP ASSEMBLY DRIVE SIDE REAR ZIPP COGNITION NSW SRAM
ns	11.2018.033.003	WHEEL AXLE END CAP ASSEMBLY DRIVE SIDE REAR ZIPP COGNITION NSW XDR/CAMPAGNOLO GENERATION 1 AND XDR GENERATION 2
ns	11.2018.058.000	WHEEL AXLE END CAP REAR DRIVE SIDE ONLY - QR COGNITION NSW AND ZR1 (FOR CAMPAGNOLO DRIVERS)
8	11.2018.032.003	WHEEL WAVE SPRING ZIPP COGNITION NSW, ZR1, ZM2 (QTY2)
ns	00.2018.037.000	Bearing Press Tool 61903, All Zipp hubs - ZR1, ZM2, SL, 700, Cognition



Cognition V2 rim brake hubs



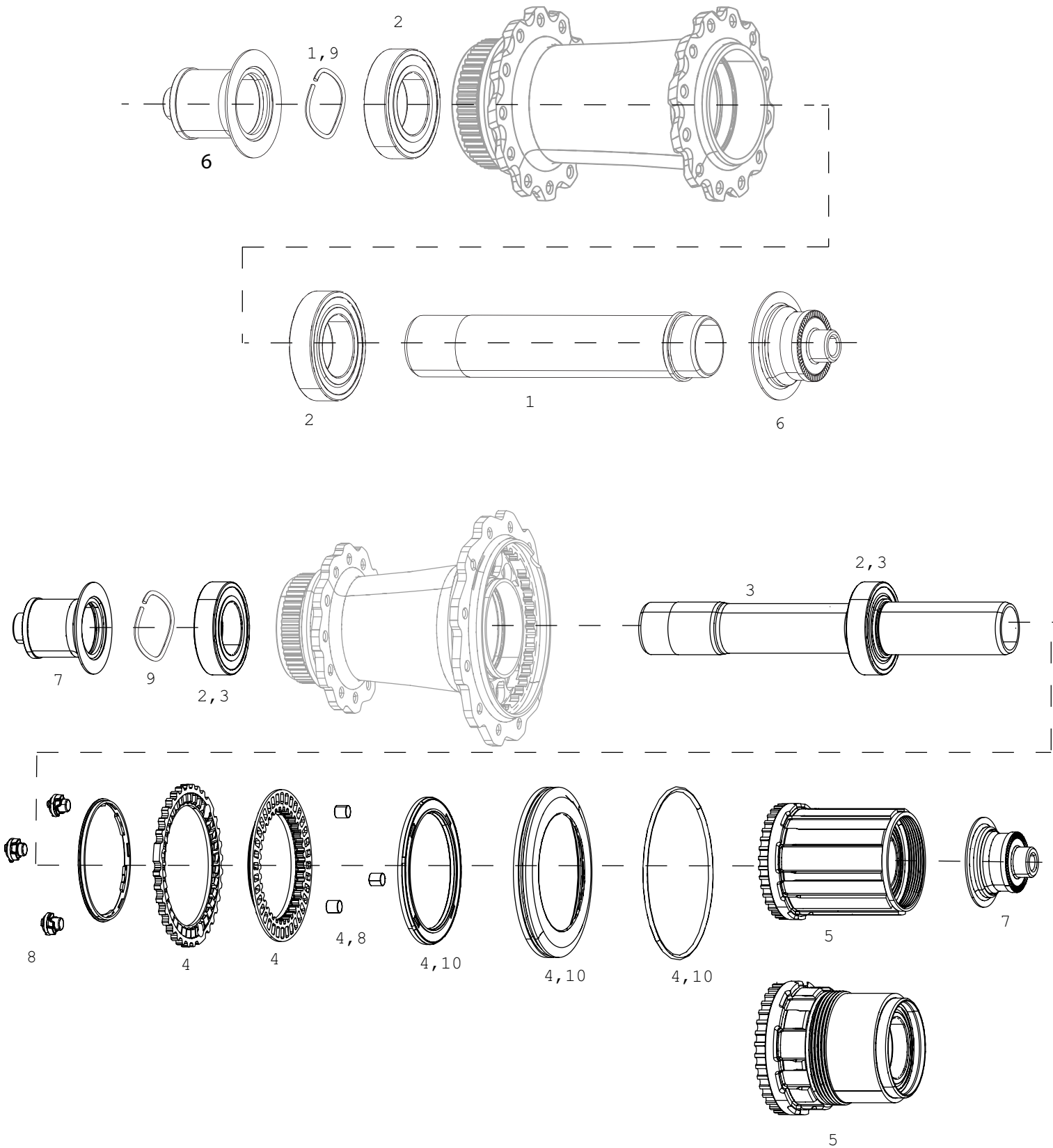
Return to
Index

Cognition V2 rim brake hubs

NO.	PART NUMBER	DESCRIPTION
FRONT		
2	11.2018.032.001	WHEEL BEARING KIT FRONT ZIPP 76/77/COGNITION NSW / DRIVER BODY ZR1 - 61803 QTY 2
3	11.2018.032.003	WHEEL WAVE SPRING ZIPP COGNITION NSW, ZR1, ZM2 (QTY2)
4	11.2018.033.000	WHEEL AXLE END CAP ASSEMBLY FRONT ZIPP COGNITION NSW HUB
REAR		
5	11.2018.065.005	HUB AXLE - REAR - ZIPP COGNITION V2 RIM BRAKE NSW WITH BEARINGS (2X 61903)
6	11.2018.065.006	HUB COGNITION V2 AXIAL CLUTCH KIT DISC BRAKE / RIM BRAKE (INCLUDES RATCHET SHELL AND DRIVER, SYLOMER SPRING ASSEMBLY AND SEAL CAP)
7	11.2018.065.000	FREEHUB KIT COGNITION V2 NSW DISC BRAKE / RIM BRAKE 11/12 SPEED (FOR SPLINED NON-XDR CASSETTES)
8	11.2018.065.001	HUB FREEHUB KIT COGNITION V2 NSW DISC BRAKE / RIM BRAKE XDR
ns	11.2018.065.009	HUB FREEHUB KIT COGNITION V2 NSW DISC BRAKE / RIM BRAKE CAMPAGNOLO
ns	11.2018.065.007	HUB AXLE END CAP SET REAR ZIPP COGNITION V2 DISC BRAKE / RIM BRAKE COMPATIBLE WITH XDR AND 11-SPD
ns	11.2018.033.001	WHEEL AXLE END CAP ASSEMBLY NON DRIVE REAR ZIPP COGNITION NSW
ns	11.2018.033.003	WHEEL AXLE END CAP ASSEMBLY DRIVE SIDE REAR ZIPP COGNITION NSW XDR/CAMPAGNOLO GENERATION 1 AND XDR GENERATION 2
9	11.2018.065.008	HUB AXLE END CAP SET REAR ZIPP COGNITION V2 RIM BRAKE QUICK RELEASE
10	11.2018.032.003	WHEEL WAVE SPRING ZIPP COGNITION NSW, ZR1, ZM2 (QTY2)



Cognition V1 Disc brake hubs



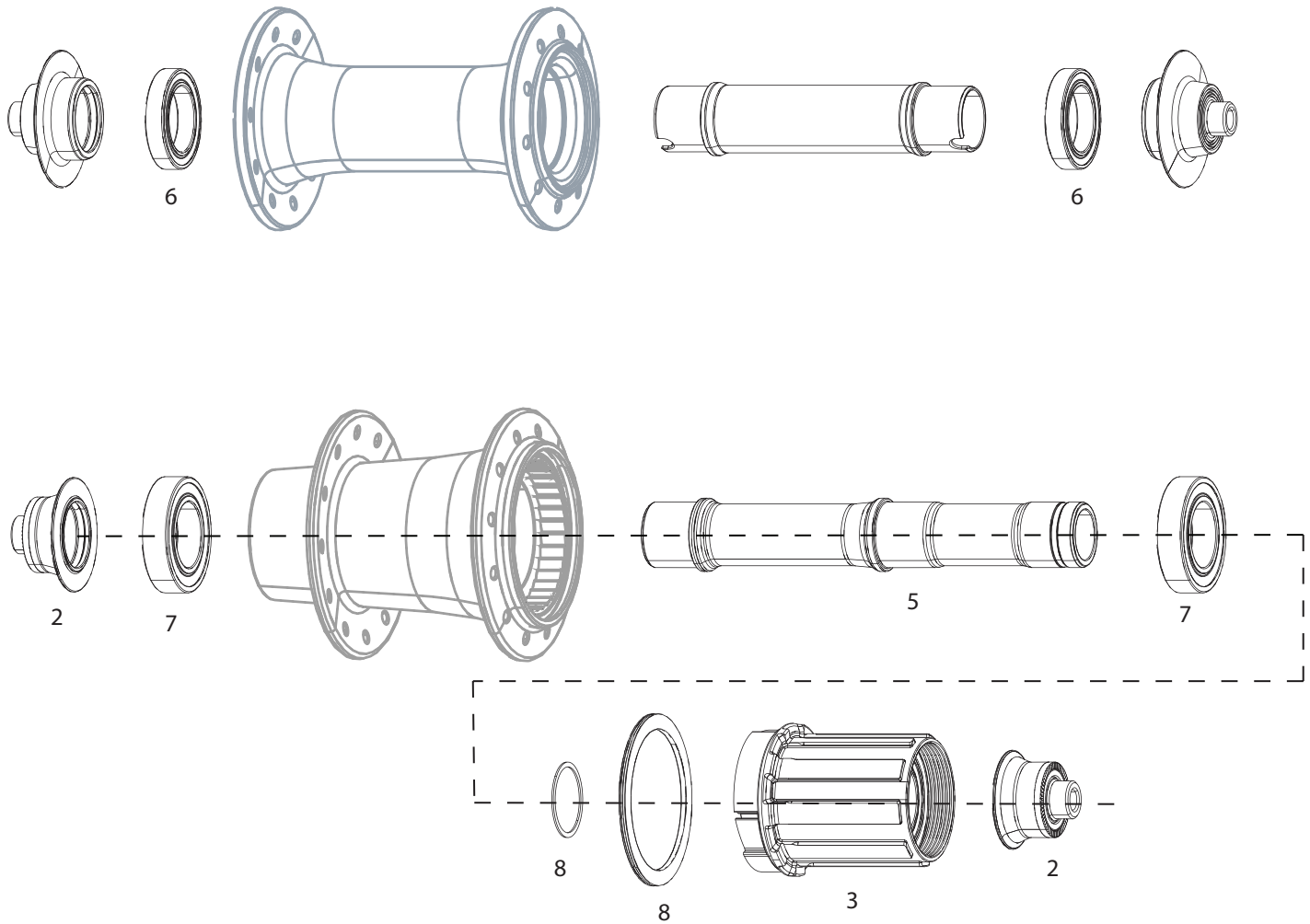
Return to
Index

Cognition V1 Disc brake hubs

NO.	PART NUMBER	DESCRIPTION
1	11.2018.052.000	WHEEL AXLE FRONT ZIPP COGNITION DISC BRAKE NSW WITH WAVE SPRING
2	11.2018.052.002	WHEEL HUB BEARINGS COGNITION V1/V2 DISC BRAKE NSW (FRONT OR REAR, 1 PAIR)
3	11.2018.052.001	WHEEL AXLE REAR ZIPP COGNITION DISC BRAKE NSW WITH BEARINGS
4	11.2018.053.000	WHEEL CLUTCH ASSEMBLY AND SEAL FOR REAR ZIPP COGNITION NSW DISC BRAKE / RIM BRAKE GENERATION 2
5	11.2018.051.000	WHEEL FREEHUB KIT COGNITION NSW 11-SPEED SRAM DISC BRAKE / RIM BRAKE GENERATION 2
5	11.2018.051.002	WHEEL FREEHUB KIT COGNITION NSW XDR DISC BRAKE / RIM BRAKE GENERATION 2
ns	11.2018.065.011	FREEHUB KIT NSW DISC BRAKE FOR N3W - INCLUDING N3W SPECIFIC DS END CAP (ADAPTER & LOCKRING ARE NOT INCLUDED)
6	11.2018.048.000	WHEEL AXLE END CAP SET FRONT ZIPP COGNITION CENTER LOCKING DISC BRAKE QUICK RELEASE
6	11.2018.049.000	WHEEL AXLE END CAP SET FRONT ZIPP COGNITION CENTER LOCKING DISC BRAKE THRU AXLE 12X100
6	11.2018.050.000	WHEEL AXLE END CAP SET FRONT ZIPP COGNITION CENTER LOCKING DISC BRAKE THRU AXLE 15X100
7	11.2018.048.010	WHEEL AXLE END CAP SET REAR ZIPP COGNITION CENTER LOCKING DISC BRAKE QUICK RELEASE SRAM
8	11.2018.035.001	WHEEL MAGNET KIT INNER AND OUTER FOR REAR ZIPP COGNITION NSW
9	11.2018.032.003	WHEEL WAVE SPRING ZIPP COGNITION NSW, ZR1, ZM2 (QTY2)
10	11.2018.055.000	WHEEL SEAL CAP AND O-RING REAR ZIPP COGNITION DISC NSW
ns	11.2018.049.010	WHEEL AXLE END CAP SET REAR ZIPP COGNITION CENTER LOCKING DISC BRAKE THRU AXLE 12X135 SRAM
ns	11.2018.049.020	WHEEL AXLE END CAP SET REAR ZIPP COGNITION CENTER LOCKING DISC BRAKE THRU AXLE 12X142 SRAM
ns	11.2018.049.060	WHEEL AXLE END CAP SET REAR ZIPP COGNITION CENTER LOCKING DISC BRAKE THRU AXLE 12X142 XDR

Return to
Index

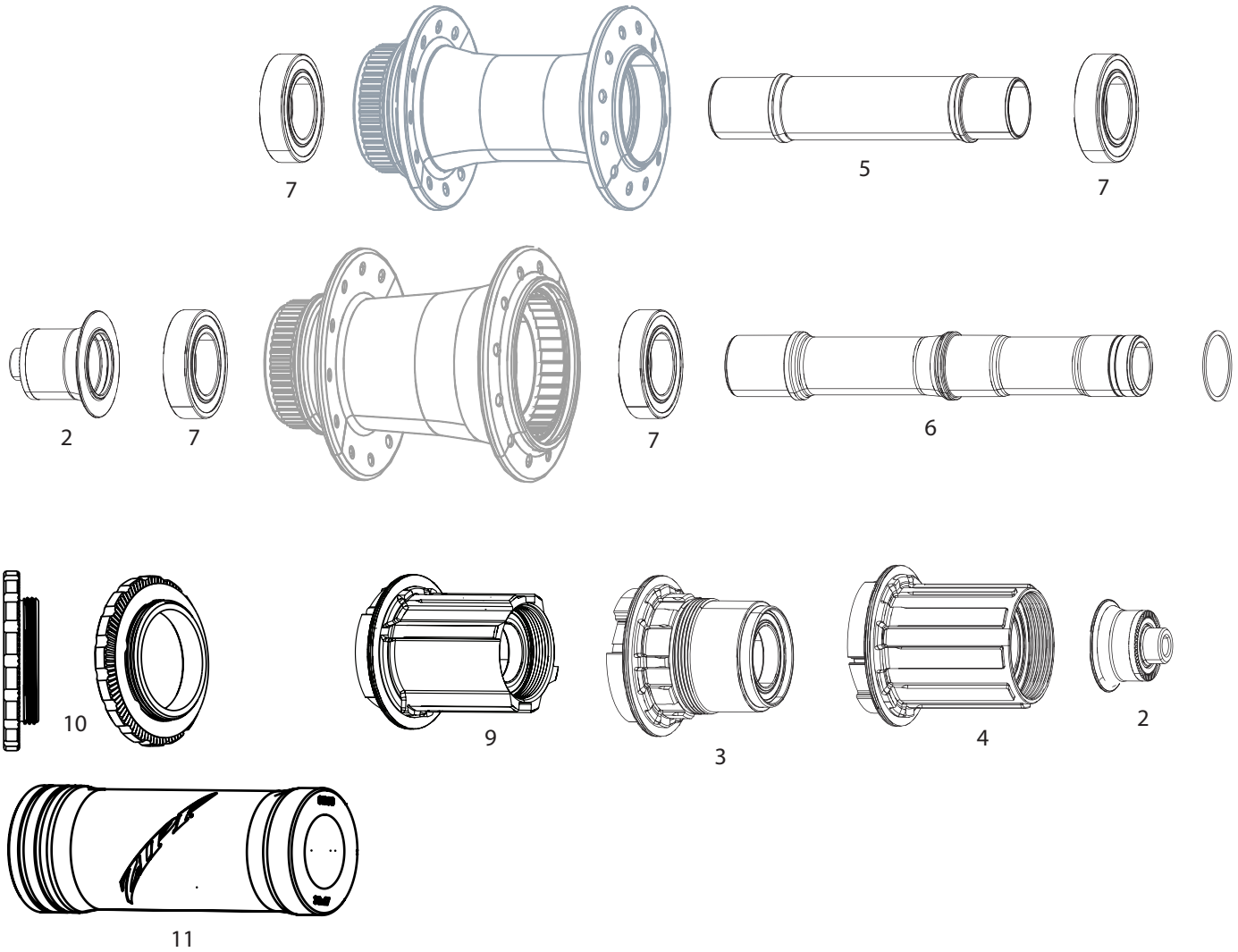
76/176 Rim brake



NO.	PART NUMBER	DESCRIPTION
2	11.1918.048.001	WHEEL AXLE END CAP REAR ZIPP 176/177 RIM BRAKE REAR 11-SPEED QR (CAMPA, SRAM/SHIMANO, XDR)
3	11.2018.061.000	FREEHUB KIT 176/177 SS - 11/12 SPEED (FOR SPLINED NON-XDR CASSETTES)
ns.	11.2018.061.001	WHEEL FREEHUB KIT SS 176/177 11 SPEED CAMPAGNOLO
ns.	11.2018.062.000	WHEEL FREEHUB KIT SS 176/177 SRAM XDR
5	11.1918.054.001	WHEEL AXLE REAR ZIPP 176/177 RIM BRAKE (AXLE ONLY)
6	11.2018.032.001	WHEEL BEARING KIT FRONT ZIPP 76/77/COGNITION NSW / DRIVER BODY ZR1 - 61803 QTY 2
7	11.2018.061.003	WHEEL BEARING KIT FRONT/REAR 76/77 176/177 DISC, REAR 176/177 RIM, ZR1 61903 QTY 2
8	11.1918.052.000	WHEEL SEAL AND SHIM FREEHUB BODY ZIPP 177 QTY 1

Return to
Index

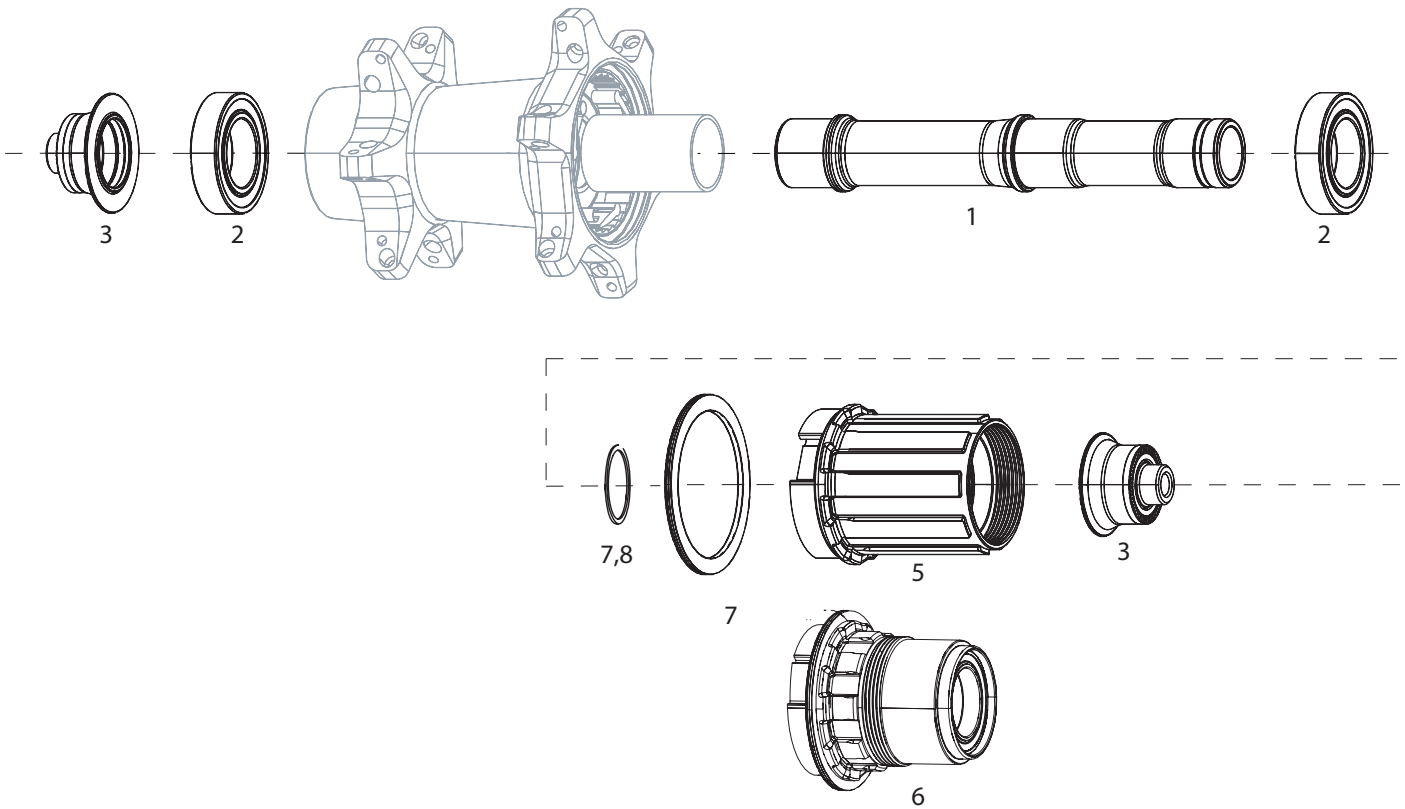
76/176 Disc brake



NO.	PART NUMBER	DESCRIPTION
2	11.2018.045.010	WHEEL AXLE END CAP SET REAR ZIPP 176 CENTER LOCKING DISC BRAKE QUICK RELEASE
ns.	11.2018.046.000	WHEEL AXLE END CAP SET FRONT ZIPP 76 CENTER LOCKING DISC BRAKE THRU AXLE 12X100
ns.	11.2018.047.000	WHEEL AXLE END CAP SET FRONT ZIPP 76 CENTER LOCKING DISC BRAKE THRU AXLE 15X100
ns.	11.2018.046.010	WHEEL AXLE END CAP SET REAR ZIPP 176 CENTER LOCKING DISC BRAKE THRU AXLE 12X142
3	11.2018.062.000	WHEEL FREEHUB KIT SS 176/177 SRAM XDR
4	11.2018.061.000	WHEEL FREEHUB KIT SS 176/177 11 SPEED SRAM
5	11.2018.054.000	WHEEL AXLE FRONT ZIPP 76D DISC BRAKE (AXLE ONLY)
6	11.2018.054.001	WHEEL AXLE REAR ZIPP 176D DISC BRAKE (AXLE ONLY)
7	11.2018.061.003	WHEEL BEARING KIT FRONT/REAR 76/77 176/177 DISC, REAR 176/177 RIM, 61903 QTY 2
ns.	11.2018.038.000	WHEEL FREEHUB BODY SHIM ZIPP 177 QTY 1
9.	11.2018.061.001	WHEEL FREEHUB KIT SS 176/177 11 SPEED CAMPAGNOLO
10	11.2018.063.002	HUB CENTERLOCK ROTOR DISC LOCKRING BLACK ZIPP LOGO (FOR ROTORS UP TO 160MM) QTY 1
11	00.1918.177.060	Bearing Press Tool 61903, Zipp Cognition Disc Brake Rear, ZR1, ZM2

Return to
Index

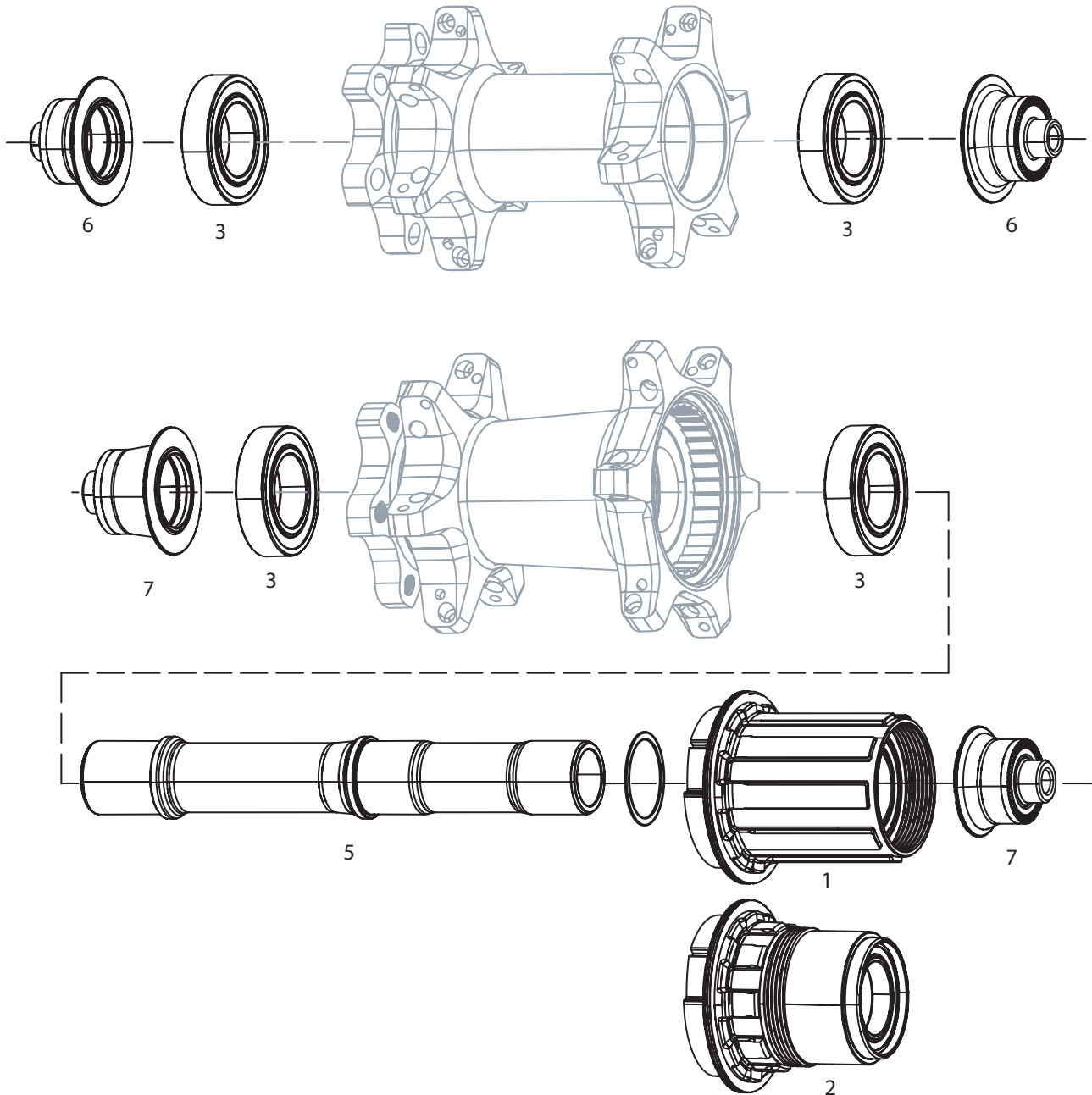
77/177 Rim brake



NO.	PART NUMBER	DESCRIPTION
1	11.1918.054.001	WHEEL AXLE REAR ZIPP 176/177 RIM BRAKE (AXLE ONLY)
2	11.2018.061.003	WHEEL BEARING KIT FRONT/REAR 76/77 176/177 DISC, REAR 176/177 RIM, ZR1 61903 QTY 2
3	11.1918.048.001	WHEEL AXLE END CAP REAR ZIPP 176/177 RIM BRAKE REAR 11-SPEED QR (CAMPA, SRAM/SHIMANO, XDR)
4	11.1918.052.000	WHEEL SEAL AND SHIM FREEHUB BODY ZIPP 177 QTY 1
ns	11.2018.036.000	WHEEL SPRING AND PAWL SET FOR ZIPP 177 REAR HUB QTY 4
5	11.2018.061.000	FREEHUB KIT 176/177 SS - 11/12 SPEED (FOR SPLINED NON-XDR CASSETTES)
ns	11.2018.061.001	WHEEL FREEHUB KIT SS 176/177 11 SPEED CAMPAGNOLO
6	11.2018.062.000	WHEEL FREEHUB KIT SS 176/177 SRAM XDR
7	11.2018.038.000	WHEEL FREEHUB BODY SHIM ZIPP 177 QTY 1
8	11.1918.052.000	WHEEL SEAL AND SHIM FREEHUB BODY ZIPP 177 QTY 1

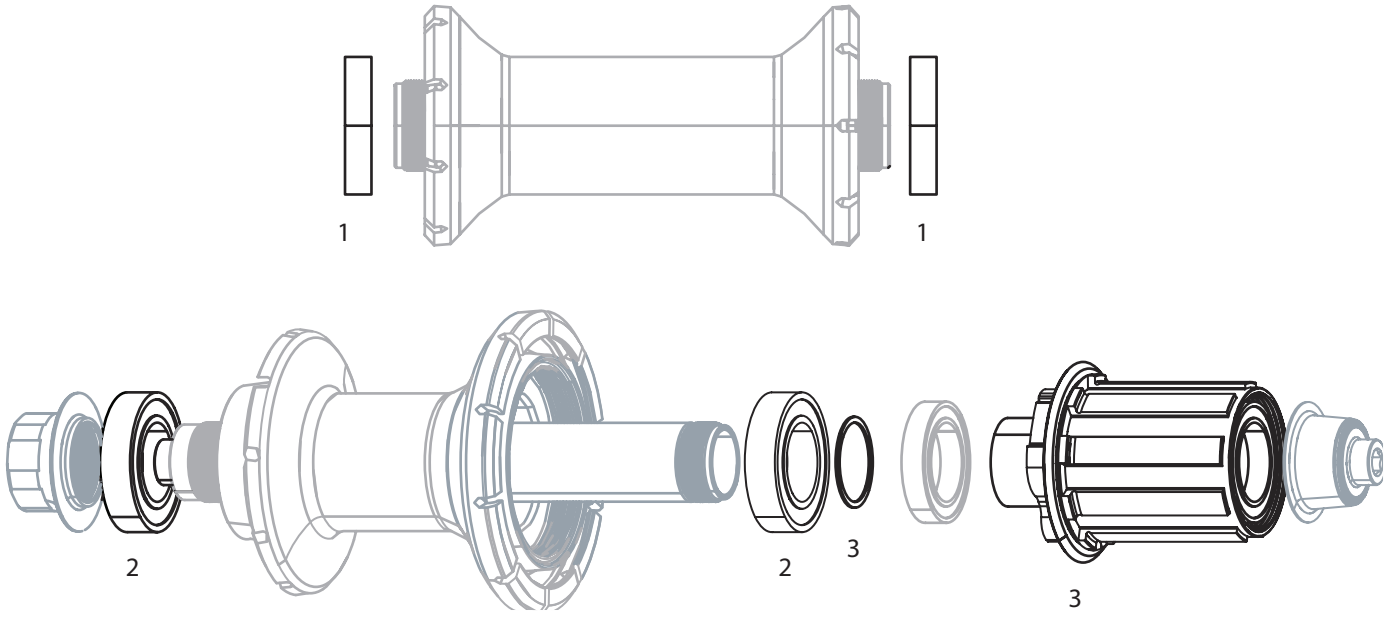
Return to
Index

77/177 Disc brake



NO.	PART NUMBER	DESCRIPTION
1	11.2018.061.000	FREEHUB KIT 176/177 SS - 11/12 SPEED (FOR SPLINED NON-XDR CASSETTES)
ns	11.2018.061.001	WHEEL FREEHUB KIT SS 176/177 11 SPEED CAMPAGNOLO
2	11.2018.062.000	WHEEL FREEHUB KIT SS 176/177 SRAM XDR
3	11.2018.061.003	WHEEL BEARING KIT FRONT/REAR 76/77 176/177 DISC, REAR 176/177 RIM, ZR1 61903 QTY 2
ns	11.1918.052.000	WHEEL SEAL AND SHIM FREEHUB BODY ZIPP 177 QTY 1
5	11.1918.053.001	WHEEL AXLE REAR ZIPP 177D DISC BRAKE (AXLE ONLY)
ns	11.2018.036.000	WHEEL SPRING AND PAWL SET FOR ZIPP 177 REAR HUB QTY 4
6	11.1918.046.000	WHEEL CONVERSION CAPS 77DISC FRONT 100/12MM THRU AXLE
6	11.1918.046.001	WHEEL CONVERSION CAPS 77DISC FRONT 100/15MM THRU AXLE
7	11.1918.046.003	WHEEL CONVERSION CAPS 177DISC REAR, 12X142 THROUGH AXLE
7	11.1918.048.000	WHEEL AXLE END CAP REAR ZIPP 177 DISC BRAKE REAR 11 SPEED QR (CAMPA, SRAM/SHIMANO, XDR)
ns	11.1918.047.000	WHEEL AXLE END CAP ZIPP 77DISC FRONT QUICK RELEASE

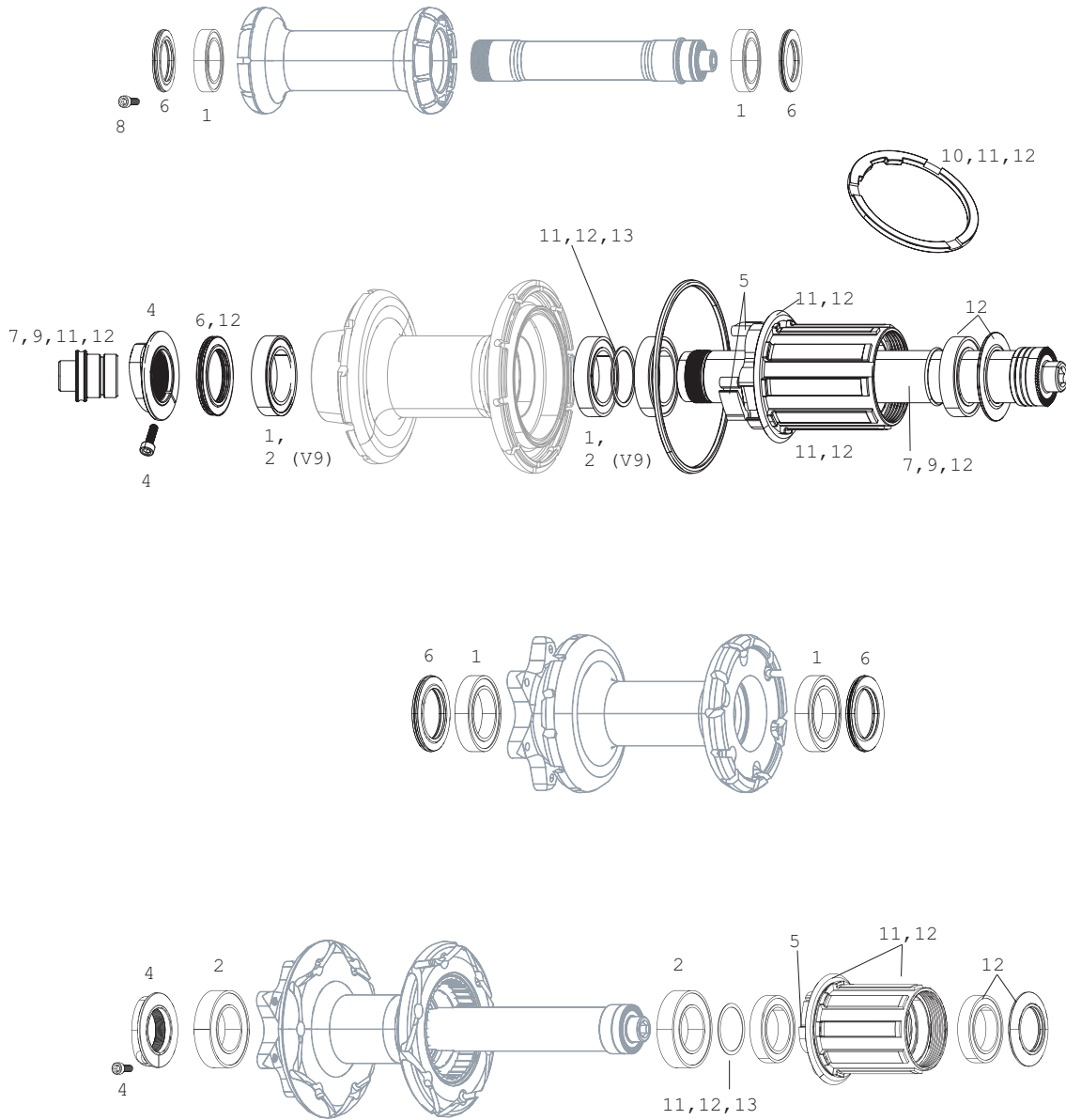
Return to
Index



NO.	PART NUMBER	DESCRIPTION
1	11.1918.021.000	WHEEL BEARING KIT FRONT 30/60 6803/61803 QTY 2
2	11.1918.021.001	WHEEL BEARING KIT REAR 30/60 6903/61903 QTY 2
3	11.1918.025.000	WHEEL FREEHUB BODY SEAL AND SPACER 30/60

Return to
Index

ZIPP HUBS - 88/188 V6 V7 V8 V9



NO.	PART NUMBER	DESCRIPTION
1	11.1915.028.000	WHEEL HUB BEARINGS FRONT OR REAR ZIPP 88/188 PAIR
2	11.2018.024.000	WHEEL HUB BEARINGS REAR PAIR ZIPP 188 V9 (61903)
4	11.2018.000.002	WHEEL CLINCH NUT AND SCREW THREADED BLACK REAR 188V7
5	11.1915.035.000	WHEEL SPRING AND PAWL SET FOR ZIPP 188 REAR HUB QTY 4
6	11.1915.036.000	WHEEL BEARING SHIELD FRONT OR REAR ZIPP 88/188 V6,V7,V8 (QTY 1)
7	11.2100.096.000	WHEEL AXLE FOR 188 SILVER REAR HUB BLACK 13MM INNER DIAMETER WITH BLACK END CAP (V6)
8	11.2015.036.000	WHEEL SCREW CLINCH NUT SET 88/188 M2.5X8
9	11.1918.010.000	WHEEL AXLE FOR 188 11 SPEED REAR HUB BLACK 13MM INNER DIAMETER WITH BLACK END CAP (V8, V9)
10	11.1918.008.000	WHEEL CASSETTE SPACER 10 SPEED 188 SRAM FREEHUB 11 SPEED - ZIPP 188/177/ SRAM 900 HUB
11	11.1918.007.000	FREEHUB KIT 188 - 11/12 SPEED (FOR SPLINED NON-XDR CASSETTES)
12	11.1918.009.000	WHEEL CONVERSION KIT 10 SPEED TO 11 SPEED 188 SRAM
13	11.1915.038.000	WHEEL FREEHUB BODY SPACER ZIPP 188 REAR QTY 2

Return to
Index

Zipp spokes overview

PART NUMBER	DESCRIPTION
Sapim CX-Ray J-Bend	
11.1918.072.008	SPOKES & NIPPLES & WASHERS 3-PACK 248MM CX-RAY J-BEND EXTERNAL BLACK
11.1918.072.006	SPOKES & NIPPLES & WASHERS 3-PACK 252MM CX-RAY J-BEND EXTERNAL BLACK
11.1918.078.002	SPOKES & NIPPLES & WASHERS 3-PACK 280MM CX-RAY J-BEND EXTERNAL BLACK
11.1918.088.000	SPOKES AND NIPPLES 3-PACK 216MM CX-RAY J-BEND TCX EXTERNAL BLACK
11.1918.088.002	SPOKES AND NIPPLES 3-PACK 230MM CX-RAY J-BEND TCX EXTERNAL BLACK
11.1918.088.003	SPOKES AND NIPPLES 3-PACK 232MM CX-RAY J-BEND TCX EXTERNAL BLACK
11.1918.088.004	SPOKES AND NIPPLES 3-PACK 248MM CX-RAY J-BEND TCX EXTERNAL BLACK
11.1918.088.005	SPOKES AND NIPPLES 3-PACK 252MM CX-RAY J-BEND TCX EXTERNAL BLACK
11.1918.088.006	SPOKES AND NIPPLES 3-PACK 254MM CX-RAY J-BEND TCX EXTERNAL BLACK
11.1918.088.007	SPOKES AND NIPPLES 3-PACK 260MM CX-RAY J-BEND TCX EXTERNAL BLACK
11.1918.088.008	SPOKES AND NIPPLES 3-PACK 264MM CX-RAY J-BEND TCX EXTERNAL BLACK
11.1918.088.009	SPOKES AND NIPPLES 3-PACK 266MM CX-RAY J-BEND TCX EXTERNAL BLACK
11.1918.088.014	SPOKES AND NIPPLES 3-PACK 256MM CX-RAY J-BEND TCX EXTERNAL BLACK
11.1918.088.015	SPOKES AND NIPPLES 3-PACK 258MM CX-RAY J-BEND TCX EXTERNAL BLACK
11.1918.090.002	SPOKES, NIPPLES, WASHERS 3-PACK 286MM CX-RAY J-BEND EXTERNAL BLACK
11.1918.078.017	SPOKES AND NIPPLES INCLUDING WASHERS 3-PACK 258MM CX-RAY J-BEND EXTERNAL BLACK

Sapim CX-Sprint J-Bend

11.1918.075.006	SPOKES & NIPPLES & WASHERS 3-PACK 224MM CX-SPRINT J-BEND EXTERNAL BLACK
11.1918.075.007	SPOKES & NIPPLES & WASHERS 3-PACK 228MM CX-SPRINT J-BEND EXTERNAL BLACK
11.1918.075.014	SPOKES & NIPPLES & WASHERS 3-PACK 254MM CX-SPRINT J-BEND EXTERNAL BLACK
11.1918.075.004	SPOKES & NIPPLES & WASHERS 3-PACK 268MM CX-SPRINT J-BEND EXTERNAL BLACK
11.1918.075.027	SPOKES & NIPPLES & WASHERS 3-PACK 272MM CX-SPRINT J-BEND EXTERNAL BLACK
11.1918.075.024	SPOKES & NIPPLES & WASHERS 3-PACK 304MM CX-SPRINT J-BEND EXTERNAL BLACK
11.1918.089.000	SPOKES AND NIPPLES 3-PACK 224MM CX-SPRINT J-BEND TCX EXTERNAL BLACK
11.1918.089.002	SPOKES AND NIPPLES 3-PACK 238MM CX-SPRINT J-BEND TCX EXTERNAL BLACK
11.1918.089.006	SPOKES AND NIPPLES 3-PACK 256MM CX-SPRINT J-BEND TCX EXTERNAL BLACK
11.1918.089.012	SPOKES AND NIPPLES 3-PACK 280MM CX-SPRINT J-BEND TCX EXTERNAL BLACK
11.1918.089.013	SPOKES AND NIPPLES 3-PACK 284MM CX-SPRINT J-BEND TCX EXTERNAL BLACK
11.1918.089.017	SPOKES AND NIPPLES 3-PACK 298MM CX-SPRINT J-BEND TCX EXTERNAL BLACK
11.1918.089.018	SPOKES AND NIPPLES 3-PACK 300MM CX-SPRINT J-BEND TCX EXTERNAL BLACK
11.1918.089.019	SPOKES AND NIPPLES 3-PACK 302MM CX-SPRINT J-BEND TCX EXTERNAL BLACK
11.1918.089.024	SPOKES AND NIPPLES 3-PACK 258MM CX-SPRINT J-BEND TCX EXTERNAL BLACK
11.1918.089.025	SPOKES AND NIPPLES 3-PACK 260MM CX-SPRINT J-BEND TCX EXTERNAL BLACK
11.1918.075.039	SPOKES & NIPPLES & WASHERS 3-PACK 236MM CX-SPRINT J-BEND EXTERNAL BLACK
11.1918.075.040	SPOKES & NIPPLES & WASHERS 3-PACK 238MM CX-SPRINT J-BEND EXTERNAL BLACK
11.1918.075.041	SPOKES & NIPPLES & WASHERS 3-PACK 240MM CX-SPRINT J-BEND EXTERNAL BLACK
11.1918.075.042	SPOKES, NIPPLES AND WASHERS 3-PACK 270MM CX-SPRINT J-BEND EXTERNAL BLACK
11.1918.075.043	SPOKES, NIPPLES AND WASHERS 3-PACK 250MM CX-SPRINT J-BEND EXTERNAL BLACK
11.1918.075.044	SPOKES AND NIPPLES INCLUDING WASHERS 3-PACK 258MM CX-SPRINT J-BEND EXTERNAL BLACK



Zipp spokes overview

PART NUMBER DESCRIPTION

Sapim D-Light J-Bend

11.1918.080.000 SPOKES & NIPPLES & WASHERS 3-PACK 280MM D-LIGHT J-BEND EXTERNAL BLACK (3ZERO MOTO 27.5 REAR DS)
11.1918.080.001 SPOKES & NIPPLES & WASHERS 3-PACK 282MM D-LIGHT J-BEND EXTERNAL BLACK (3ZERO MOTO 27.5 FRONT NDS AND REAR NDS)
11.1918.080.002 SPOKES & NIPPLES & WASHERS 3-PACK 284MM D-LIGHT J-BEND EXTERNAL BLACK (3ZERO MOTO 27.5 FRONT DS)
11.1918.080.003 SPOKES & NIPPLES & WASHERS 3-PACK 300MM D-LIGHT J-BEND EXTERNAL BLACK (3ZERO MOTO 29 FRONT NDS AND REAR DS)
11.1918.080.004 SPOKES & NIPPLES & WASHERS 3-PACK 302MM D-LIGHT J-BEND EXTERNAL BLACK (3ZERO MOTO 29 FRONT DS AND REAR NDS)
11.1918.080.005 SPOKES & NIPPLES & WASHERS 3-PACK 298MM D-LIGHT J-BEND EXTERNAL BLACK

Sapim CX-Sprint Straight

11.1918.063.080 SPOKES & NIPPLES & WASHERS 3-PACK 284MM CX-SPRINT STRAIGHT-PULL HEXAGONAL SECURE LOCK BLACK OXIDE

Sapim CX-Ray Straight


11.1915.080.040 SPOKES & NIPPLES & TITANIUM WASHERS 3-PACK 244MM CX-RAY STRAIGHT-PULL HEXAGONAL SECURE LOCK BLACK OXIDE
11.1915.080.300 SPOKES & NIPPLES & TITANIUM WASHERS 3-PACK 252MM CX-RAY STRAIGHT-PULL HEXAGONAL SECURE LOCK BLACK OXIDE
11.1915.080.080 SPOKES & NIPPLES & TITANIUM WASHERS 3-PACK 260MM CX-RAY STRAIGHT-PULL HEXAGONAL SECURE LOCK BLACK OXIDE
11.1915.080.250 SPOKES & NIPPLES & TITANIUM WASHERS 3-PACK 264MM CX-RAY STRAIGHT-PULL HEXAGONAL SECURE LOCK BLACK OXIDE
11.1915.080.381 SPOKES & NIPPLES & TITANIUM WASHERS 3-PACK 268MM CX-RAY STRAIGHT-PULL HEXAGONAL SECURE LOCK BLACK OXIDE
11.1915.080.340 SPOKES & NIPPLES & TITANIUM WASHERS 3-PACK 280MM CX-RAY STRAIGHT-PULL HEXAGONAL SECURE LOCK BLACK OXIDE
11.1915.080.360 SPOKES & NIPPLES & TITANIUM WASHERS 3-PACK 290MM CX-RAY STRAIGHT-PULL HEXAGONAL SECURE LOCK BLACK OXIDE

Alpina Hyperlight J-Bend

11.1918.098.000 SPOKES AND NIPPLES 3-PACK 280MM ALPINA HYPERLITE J-BEND EXTERNAL BLACK (INCLUDING SILVER SPOKE NIPPLES FOR 202NSW)
11.1918.098.001 SPOKES AND NIPPLES 3-PACK 282MM ALPINA HYPERLITE J-BEND EXTERNAL BLACK (INCLUDING SILVER SPOKE NIPPLES FOR 202NSW)
11.1918.098.002 SPOKES AND NIPPLES 3-PACK 284MM ALPINA HYPERLITE J-BEND EXTERNAL BLACK (INCLUDING SILVER SPOKE NIPPLES FOR 202NSW)

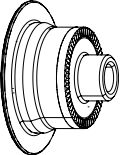
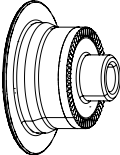
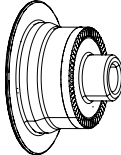
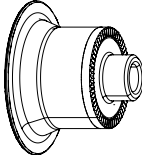
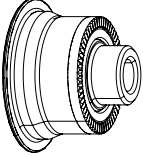
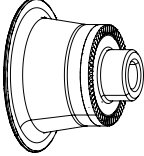
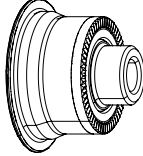
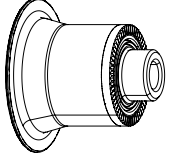
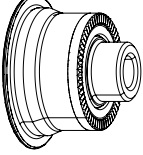
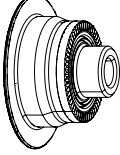
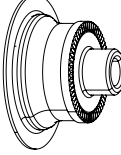
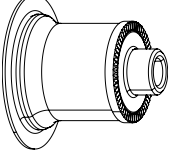
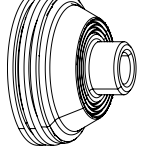
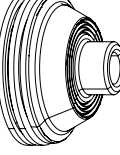
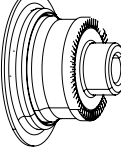
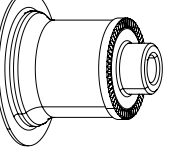
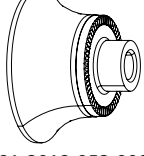
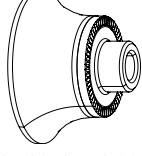
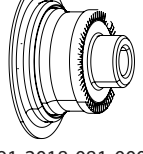
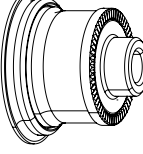
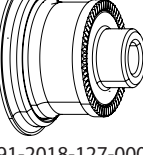
Nipples and washers

11.1918.082.000 SPOKE NIPPLE WASHERS SAPIM NRHM 34-PACK FOR MOTO 3ZERO AND 101XPLR WHEELS
11.1915.026.020 SPOKE NIPPLE WASHERS OVAL 50-PACK FOR FIRECREST WHEELS
11.1918.092.001 SPOKE NIPPLES SAPIM DOUBLE SQUARE 7MM 16MM SILVER ALUMINUM 34-PACK
11.1915.026.070 SPOKE NIPPLES EXTERNAL HEXAGONAL SECURE LOCK ALUMINUM BLACK 20-PACK 2.0 X 14
11.1918.076.000 SPOKE NIPPLES EXTERNAL HEXAGONAL SECURE LOCK BRASS BLACK 14MM 12CNM V2 QTY 24

 Return to
Index

Conversion & end caps

9mm (QR) page 1 of 2

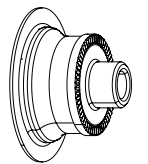
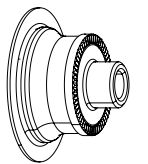
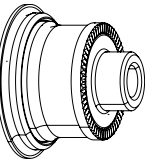
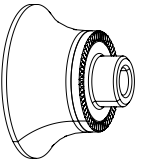
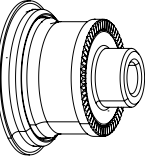
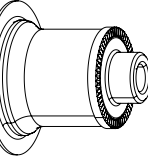
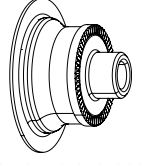
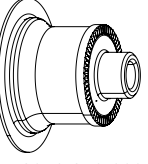
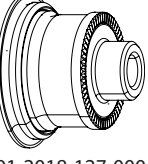
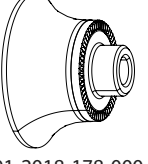
	drive side	non drive side		drive side	non drive side
11.1918.047.000 END CAP 77DISC FRONT QUICK RELEASE	 91-2018-064-000	 91-2018-064-000	11.2018.045.000 END CAP SET FRONT 76 CENTER LOCKING DISC BRAKE QUICK RELEASE	 91-2018-064-000	 91-2018-064-040
11.1918.048.000 END CAP REAR 177 DISC BRAKE REAR 11 SPEED QR (CAMPA, SRAM/SHIMANO, XDR)	 91-2018-064-010	 91-2018-064-030	11.2018.045.010 END CAP SET REAR 176 CENTER LOCKING DISC BRAKE QUICK RELEASE	 91-2018-064-010	 91-2018-064-050
11.1918.048.001 END CAP REAR 176/177 RIM BRAKE REAR 11-SPEED QR (CAMPA, SRAM/SHIMANO, XDR)	 91-2018-064-010	 91-2018-064-020	11.2018.048.000 END CAP SET FRONT COGNITION CENTER LOCKING DISC BRAKE QUICK RELEASE	 91-2018-149-000	 91-2018-150-010
11.2018.033.000 END CAP ASSEMBLY FRONT COGNITION NSW HUB	 91-2018-122-000	 91-2018-122-000	11.2018.048.010 END CAP SET REAR COGNITION CENTER LOCKING DISC BRAKE QUICK RELEASE SRAM	 91-2018-081-000	 91-2018-150-000
11.2018.033.001 END CAP ASSEMBLY NON DRIVE REAR COGNITION NSW	not included	 91-2018-052-000	11.2018.057.000 END CAP ASSEMBLY NON DRIVE REAR COGNITION NSW GENERATION 2	not included	 91-2018-178-000
11.2018.033.002 END CAP ASSEMBLY DRIVE SIDE REAR COGNITION NSW SRAM	 91-2018-081-000	not included	11.2018.058.000 END CAP REAR DRIVE SIDE ONLY - QR COGNITION NSW AND ZR1 (FOR CAMPAGNOLO DRIVERS)	 91-2018-161-000	not included
11.2018.033.003 END CAP ASSEMBLY DRIVE SIDE REAR COGNITION NSW XDR/CAMPAGNOLO GENERATION 1 AND XDR GENERATION 2	 91-2018-127-000	not included			

A complete overview with the correct end caps for your hub configuration can be found on:

<https://www.sram.com/globalassets/document-hierarchy/compatibility-map/zipp/zipp-end-cap-compatibility-chart-english.pdf>

Conversion & end caps

9mm (QR) page 2 of 2

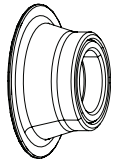
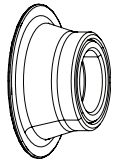
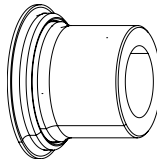
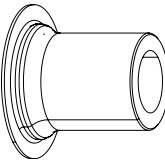
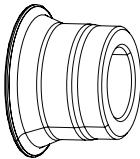
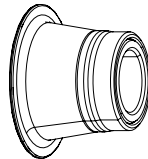
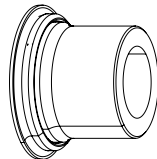
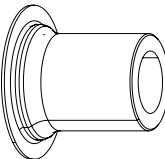
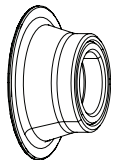
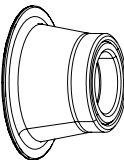
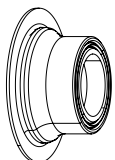
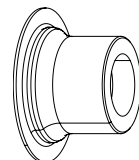
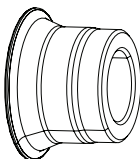
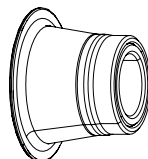
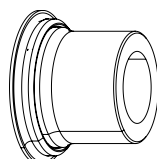
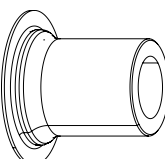
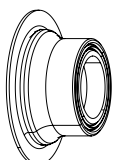
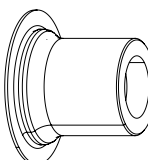
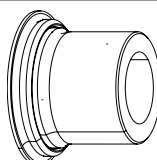
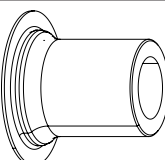
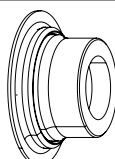
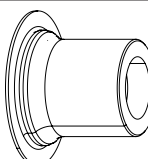
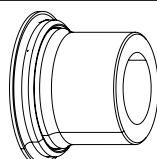
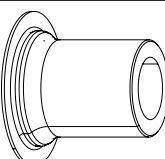
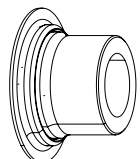
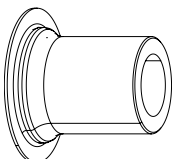
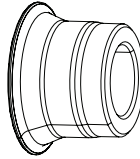
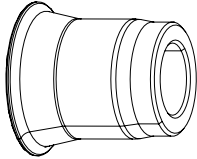
	drive side	non drive side
<p>11.2018.064.004</p> <p>END CAP SET FRONT - RIM BRAKE QR - ZR1 HUBS</p>	 <p>91-2018-252-000</p>	 <p>91-2018-252-000</p>
<p>11.2018.064.006</p> <p>END CAP SET REAR - QR RB - XDR AND 11 SPEED - ZR1 HUBS</p>	 <p>91-2018-127-000</p>	 <p>91-2018-249-000</p>
<p>11.2018.064.015</p> <p>END CAP SET REAR - QR CENTERLOCK DISC - ZR1 HUBS</p>	 <p>91-2018-127-000</p>	 <p>91-2018-269-000</p>
<p>11.2018.064.016</p> <p>END CAP SET FRONT - QR CENTERLOCK DISC - ZR1 HUBS</p>	 <p>91-2018-252-000</p>	 <p>91-2018-270-000</p>
<p>11.2018.065.008</p> <p>END CAP SET REAR COGNITION V2 RIM BRAKE QUICK RELEASE</p>	 <p>91-2018-127-000</p>	 <p>91-2018-178-000</p>

A complete overview with the correct end caps for your hub configuration can be found on:

<https://www.sram.com/globalassets/document-hierarchy/compatibility-map/zip/zip-end-cap-compatibility-chart-english.pdf>

Conversion & end caps

12mm page 1 of 2

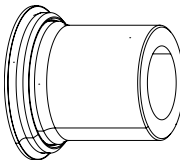
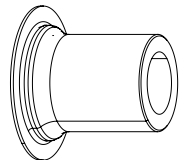
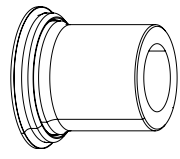
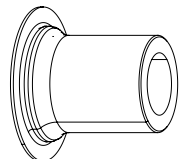
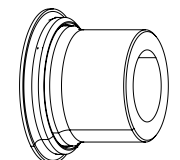
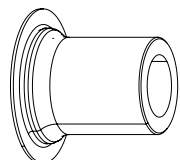
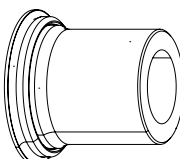
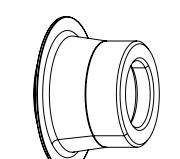
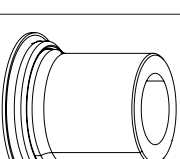
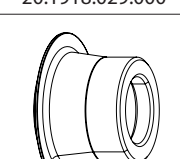
	drive side	non drive side		drive side	non drive side
11.1918.046.000 CONVERSION CAPS 77DISC FRONT 100/12MM THRU AXLE	 91.2018.065.040	 91.2018.065.040	11.2018.049.040 END CAP SET REAR COGNITION CENTER LOCKING DISC BRAKE THRU AXLE 12X142 CAMPY	 91-2018-151-050	 91-2018-154-010
11.1918.046.003 CONVERSION CAPS 177DISC REAR, 12X142 THROUGH AXLE	 91-2018-065-010	 91.2018.065.020	11.2018.049.060 END CAP SET REAR COGNITION CENTER LOCKING DISC BRAKE THRU AXLE 12X142 XDR	 91-2018-151-030	 91-2018-154-010
11.2018.046.000 END CAP SET FRONT 76 CENTER LOCK- ING DISC BRAKE THRU AXLE 12X100	 91.2018.065.040	 91-2018-065-070	11.2018.064.003 END CAP SET FRONT - DISC - 12x100 - ZR1 HUBS	 91-2018-165-000	 91-2018-267-000
11.2018.046.010 END CAP SET REAR 176 CENTER LOCK- ING DISC BRAKE THRU AXLE 12X142	 91-2018-065-010	 91-2018-065-090	11.2018.064.005 WHEEL AXLE END CAP SET REAR - 12X142 - XDR AND 11 SPEED - ZR1 HUBS (151-030 / 251-000)	 91-2018-151-030	 91-2018-251-000
11.2018.049.000 END CAP SET FRONT COGNITION CENTER LOCKING DISC BRAKE THRU AXLE 12X100	 91-2018-165-000	 91-2018-154-000	11.2018.064.019 END CAP SET REAR - 12X142 - CAMPAG- NOLO - ZR1 HUBS	 91-2018-151-050	 91-2018-251-000
11.2018.049.010 END CAP SET REAR COGNITION CENTER LOCKING DISC BRAKE THRU AXLE 12X135 SRAM	 91-2018-151-000	 91-2018-154-000	11.2018.065.007 END CAP SET REAR COGNITION V2 DISC BRAKE / RIM BRAKE COMPATIBLE WITH XDR AND 11-SPD	 91-2018-151-030	 91-2018-154-010
11.2018.049.020 END CAP SET REAR COGNITION CENTER LOCKING DISC BRAKE THRU AXLE 12X142 SRAM	 91-2018-151-010	 91-2018-154-010	11.2018.066.000 END CAP SET REAR SUPER 9 DISC BRAKE 12X142 THRU-AXLE	 91-2018-065-010	 91-2018-140-000

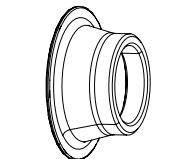
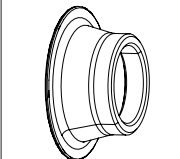
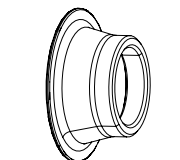
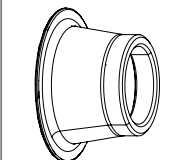
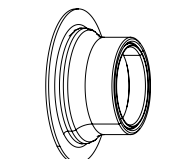
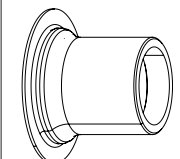
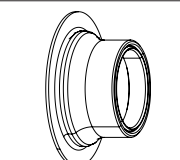
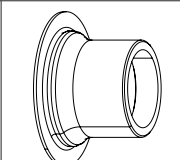
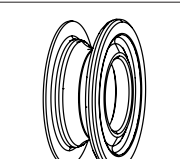
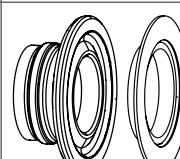
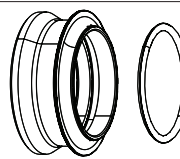


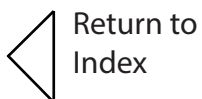
A complete overview with the correct end caps for your hub configuration can be found on:

<https://www.sram.com/globalassets/document-hierarchy/compatibility-map/zipp/zipp-end-cap-compatibility-chart-english.pdf>

Conversion & end caps

12mm page 2 of 2	drive side	non drive side
11.2018.069.000 END CAP SET REAR ZR1 DISC BRAKE N3W CAMPAGNOLO (151-060 & 251- 000)	 91.2018.151.060	 91.2018.251.000
11.2028.061.001 WHEEL AXLE END CAP SET - REAR - ZM2SL ZR1 MICROSPLINE (151-070 / 251-000)	 91.2018.151.070	 91.2018.251.000
11.2028.061.002 END CAP SET - REAR - ZM2SL SRAM XD	 91.2018.151.030	 91.2018.251.000
11.2028.062.005 END CAP SET REAR ZM900 HUB 12X148 MS	 91.2018.151.060	 20.1918.029.000
11.2028.062.006 END CAP SET REAR ZM900 HUB 12X148 XD	 91.2018.151.080	 20.1918.029.000

15mm	drive side	non drive side
11.1918.046.001 CONVERSION CAPS 77DISC FRONT 100/15MM THRU AXLE	 91-2018-065-000	 91-2018-065-000
11.2018.047.000 END CAP SET FRONT 76 CENTER LOCKING DISC BRAKE THRU AXLE 15X100	 91-2018-065-000	 91-2018-065-080
11.2018.050.000 END CAP SET FRONT COGNITION CENTER LOCKING DISC BRAKE THRU AXLE 15X100	 91-2018-165-010	 91-2018-154-020
11.2018.064.018 WHEEL AXLE END CAP SET FRONT - 15MM - ZR1 ZM2SL HUBS	 91-2018-165-010	 91-2018-274-000
11.2028.061.000 END CAP SET - FRONT - ZM2SL - TORQUE CAPS FOR ROCKSHOX FORKS	 91-2018-189-000	 91-2018-314-000 & 20-2018-276-000
11.2028.062.004 END CAP SET FRONT ZM900 HUB 15X110B 31TORQUE CAPS FOR RS	 qty 2 of each 20-1918-202-000 Including 2 o-rings	



A complete overview with the correct end caps for your hub configuration can be found on:
<https://www.sram.com/globalassets/document-hierarchy/compatibility-map/zip/zip-end-cap-compatibility-chart-english.pdf>

Decals

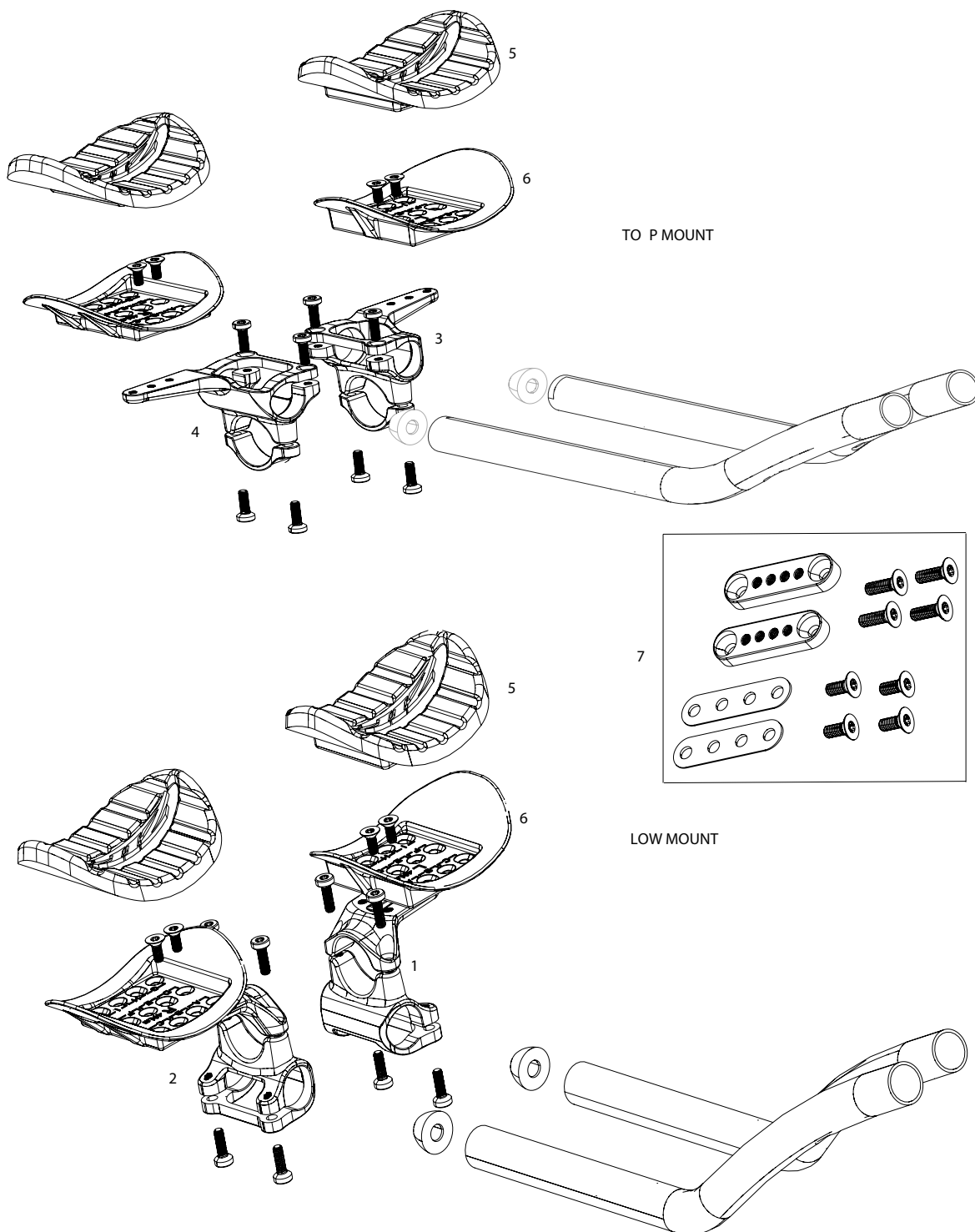
"Wrap around" Zipp brand decals kits (>2020)

11.1918.083.001	WHEEL DECAL KIT ZIPP 303 DISC BRAKE SINGLE WHEEL WRAP AROUND GRAPHICS (from 2020 and beyond)
11.1918.083.017	WHEEL DECAL KIT - ZIPP 303 SW - SINGLE WHEEL - WRAP AROUND GRAPHICS
11.1918.083.008	WHEEL DECAL KIT ZIPP 303 XPLR SW SINGLE WHEEL WRAP AROUND GRAPHICS
11.1918.083.009	WHEEL DECAL KIT ZIPP 303 XPLR S SINGLE WHEEL WRAP AROUND GRAPHICS
11.1918.083.010	WHEEL DECAL KIT - ZIPP 303 SILVER FOIL - SINGLE WHEEL - WRAP AROUND GRAPHICS
11.1918.083.003	WHEEL DECAL KIT ZIPP 404 DISC & RIM BRAKE SINGLE WHEEL WRAP AROUND GRAPHICS (from 2020 and beyond)
11.1918.083.011	WHEEL DECAL KIT - ZIPP 404 SILVER FOIL - SINGLE WHEEL - WRAP AROUND GRAPHICS
11.1918.083.007	WHEEL DECAL KIT ZIPP 808 DISC TL SINGLE WHEEL WRAP AROUND GRAPHICS (from 2022 and beyond)
11.1918.083.012	WHEEL DECAL KIT - ZIPP 808 SILVER FOIL - SINGLE WHEEL - WRAP AROUND GRAPHICS

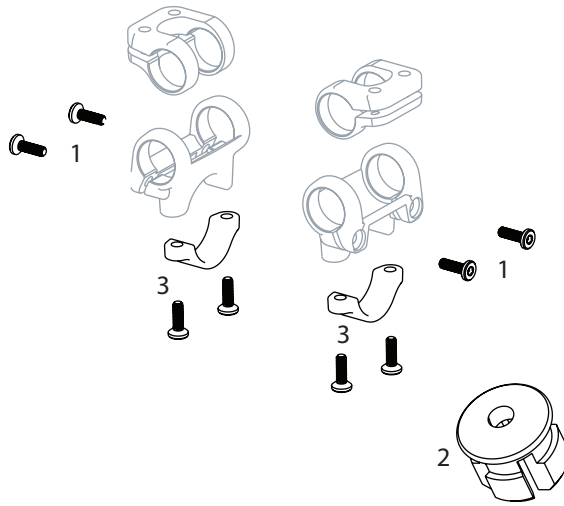
MTB rims

11.1918.091.000	WHEEL DECAL KIT 1ZERO S 29 SILVER SINGLE RIM
-----------------	--

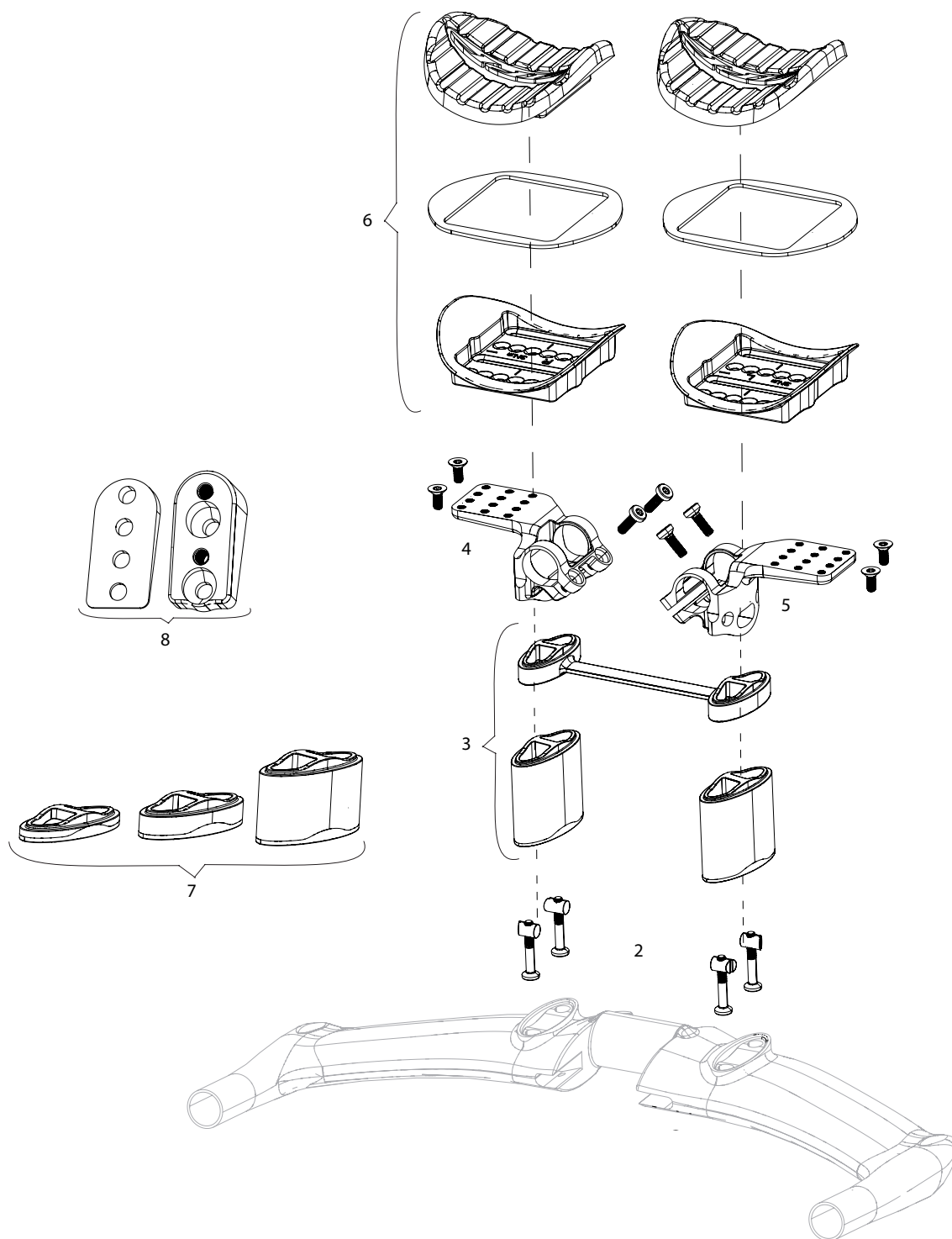




NO.	PART NUMBER	DESCRIPTION
1	11.6618.024.000	HANDLEBAR VUKA CLIP B1 LOW MOUNT ASSEMBLY LEFT WITH BOLTS
2	11.6618.024.010	HANDLEBAR VUKA CLIP B1 LOW MOUNT ASSEMBLY RIGHT WITH BOLTS
3	11.6618.025.000	HANDLEBAR VUKA CLIP B1 TOP MOUNT ASSEMBLY LEFT WITH BOLTS
4	11.6618.025.010	HANDLEBAR VUKA CLIP B1 TOP MOUNT ASSEMBLY RIGHT WITH BOLTS
5	11.6618.026.000	HANDLEBAR VUKA CLIP B1 PAD KIT
6	11.6618.027.000	HANDLEBAR VUKA CLIP B1 ARMREST KIT WITH BOLTS
7	11.6618.030.000	HANDLEBAR VUKA CLIP B1 HIGH MOUNT ANGLE WEDGE KIT (5, 10 AND 15 DEGREE AND BOLTS)

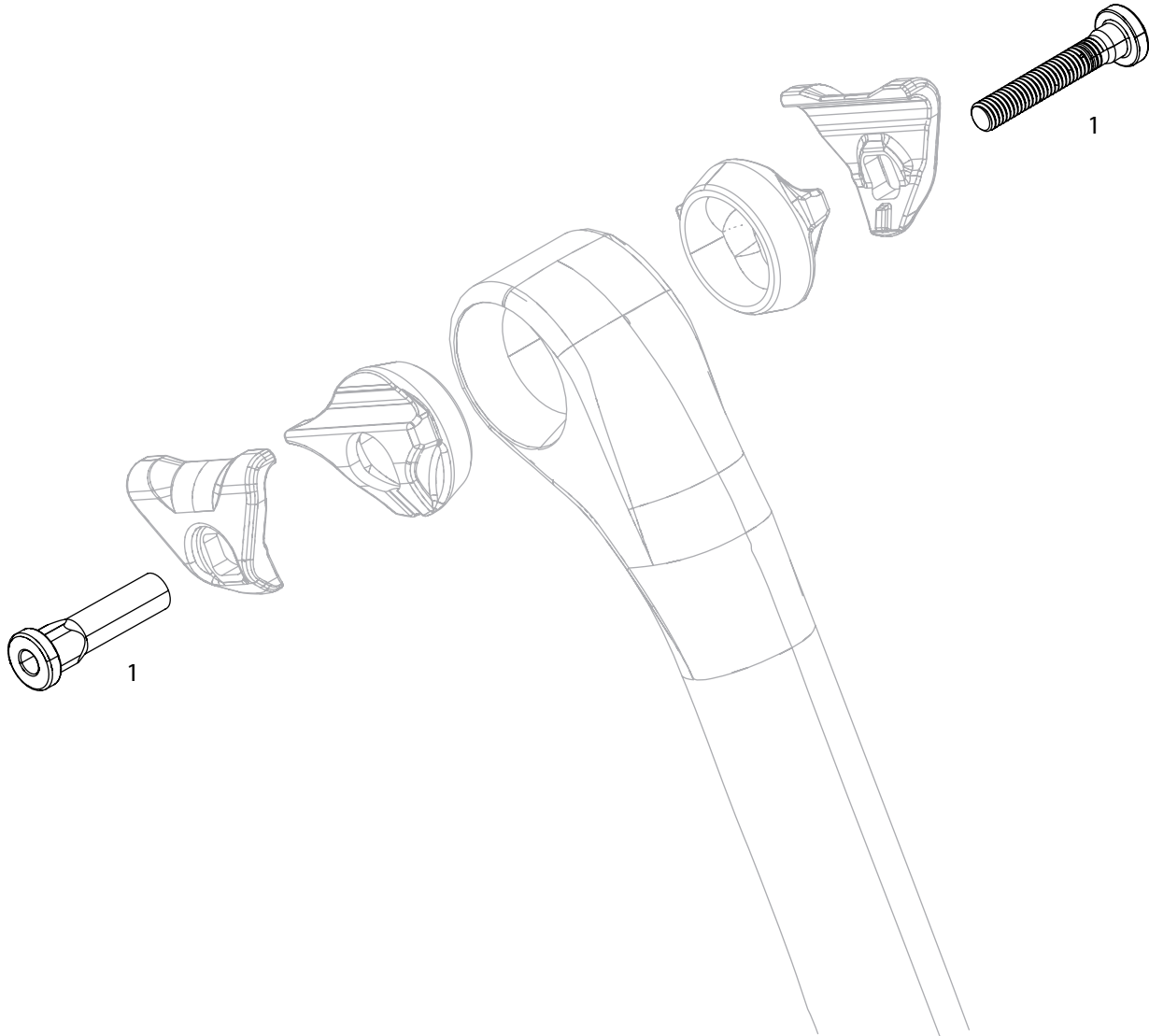


NO.	PART NUMBER	DESCRIPTION
1	11.6618.000.000	HANDLEBAR VUKA ALUMINA CLIP BOLT KIT TOP MOUNT 1 SIDE
2	11.6618.003.000	HANDLEBAR VUKA ALUMINA/CARBON EXTENSIONS END PLUGS
ns	11.6618.023.000	HANDLEBAR BEZEL EVO EXTENSION ETAP CLICS, QTY 2
3	11.6618.014.000	HANDLEBAR VUKA ALUMINA TOP MOUNT LOWER CLAMPS AND BOLTS



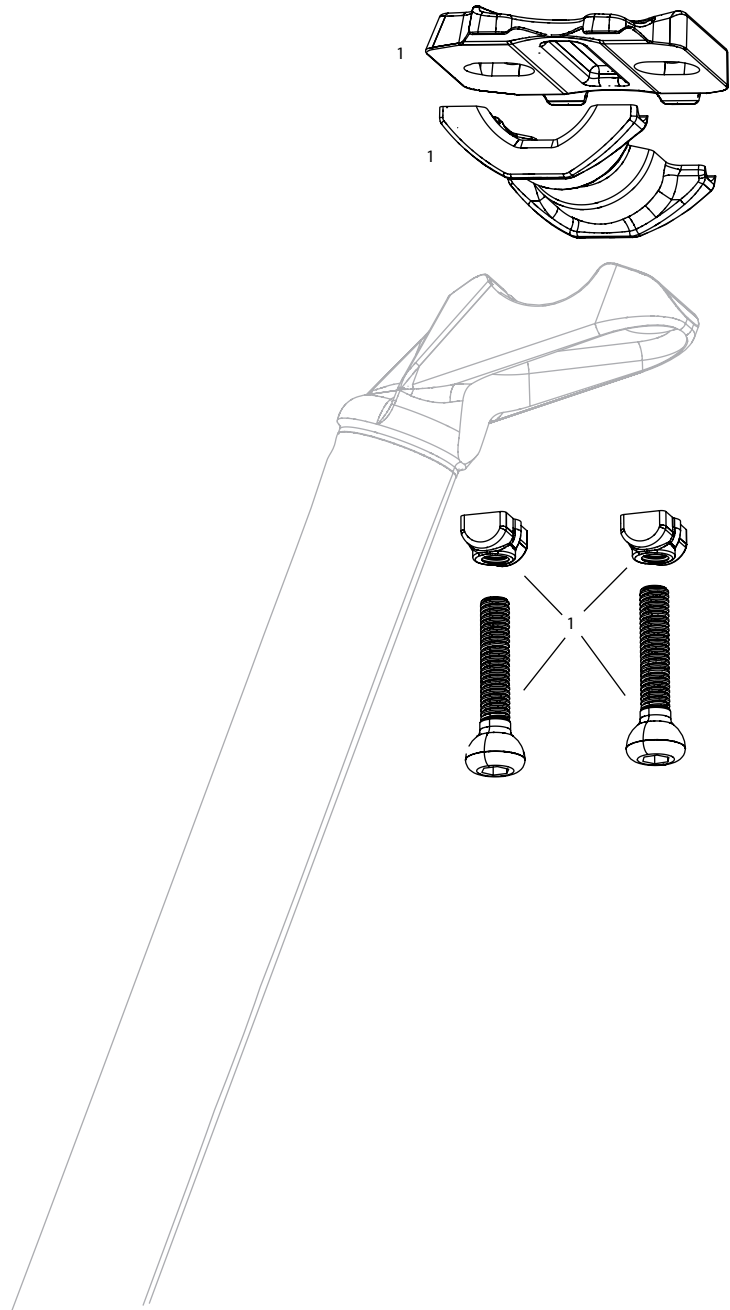
C1 extension towers ARE NOT backwards compatible with previous generations.

NO.	PART NUMBER	DESCRIPTION
2	11.6618.029.002	HANDLEBAR VUKA AERO C1 TOWER BOLT KIT (4x35MM INCLUDING NUTS)
3	11.6618.029.000	HANDLEBAR VUKA AERO HIGH STACK KIT FOR VUKA AERO C1 (10MM RISER BRIDGE, 50MM RISERS 2 PCS AND BOLTS)
4	11.6618.029.003	HANDLEBAR VUKA AERO C1 CLAMP & ARMREST WING RIGHT INCLUDING BOLTS
5	11.6618.029.004	HANDLEBAR VUKA AERO C1 CLAMP & ARMREST WING LEFT INCLUDING BOLTS
6	11.6618.029.005	HANDLEBAR VUKA AERO C1 ARMREST KIT BOTH SIDES
7	11.6618.029.006	HANDLEBAR VUKA AERO RISER KIT FOR VUKA AERO C1 (2X5MM,4X10MM,2X30MM RISER SETS AND BOLTS)
8	11.6618.029.007	HANDLEBAR VUKA AERO ARMREST ANGLE WEDGE KIT FOR VUKA AERO C1 (WEDGE 5 AND 10 DEGREE AND BOLTS)



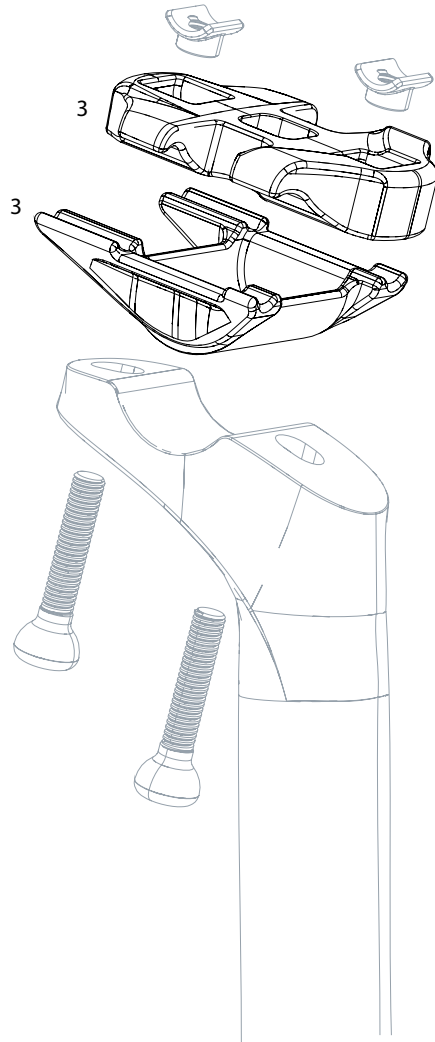
NO.	PART NUMBER	DESCRIPTION
1	11.6818.038.000	SEATPOST BOLT KIT SL SPEED B1 STEEL BLACK

Return to
Index



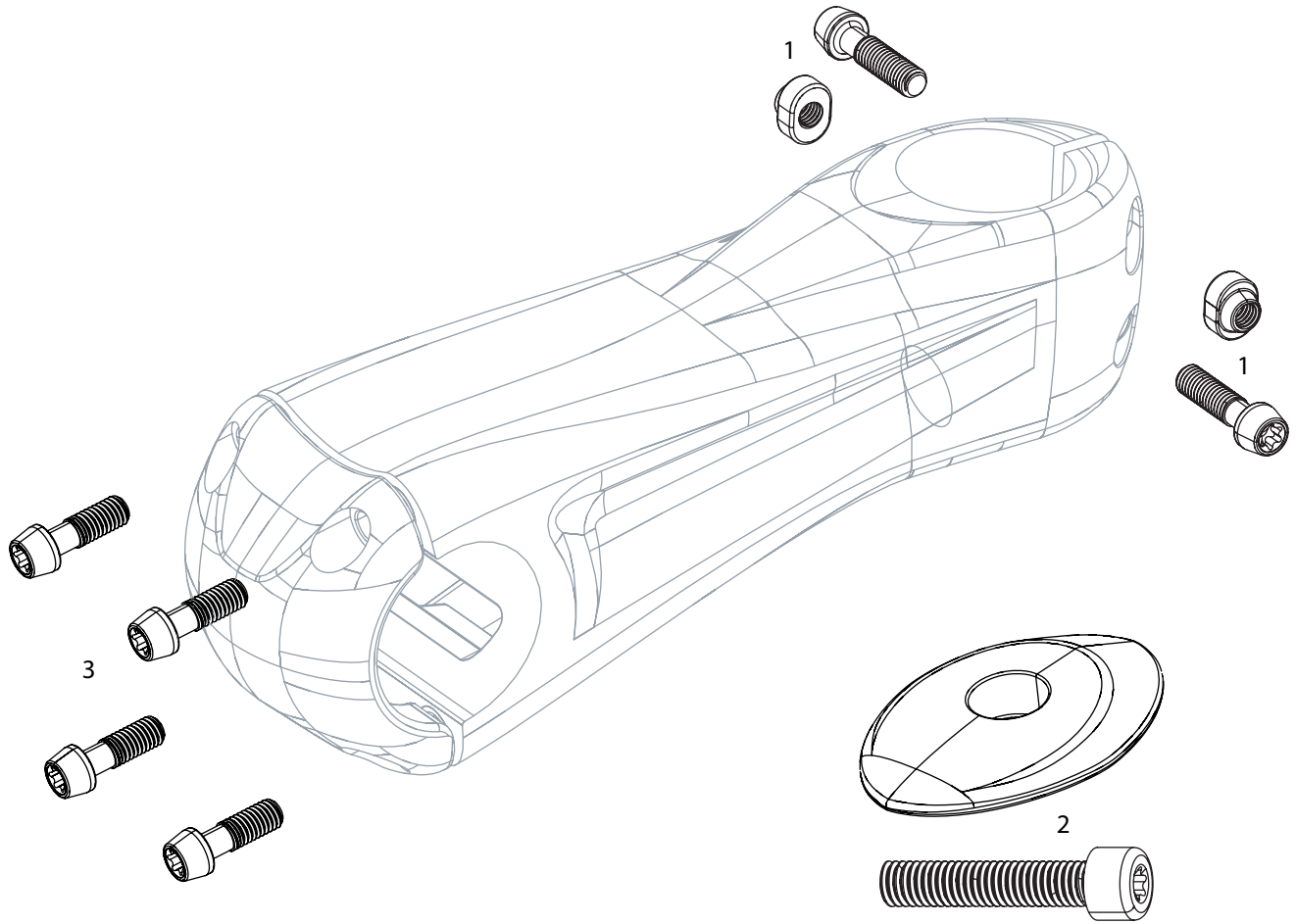
NO.	PART NUMBER	DESCRIPTION
1	11.6818.050.000	SEATPOST BOLTS, NUTS, UPPER AND LOWER CLAMP SERVICE COURSE SL CARBON

Return to
Index



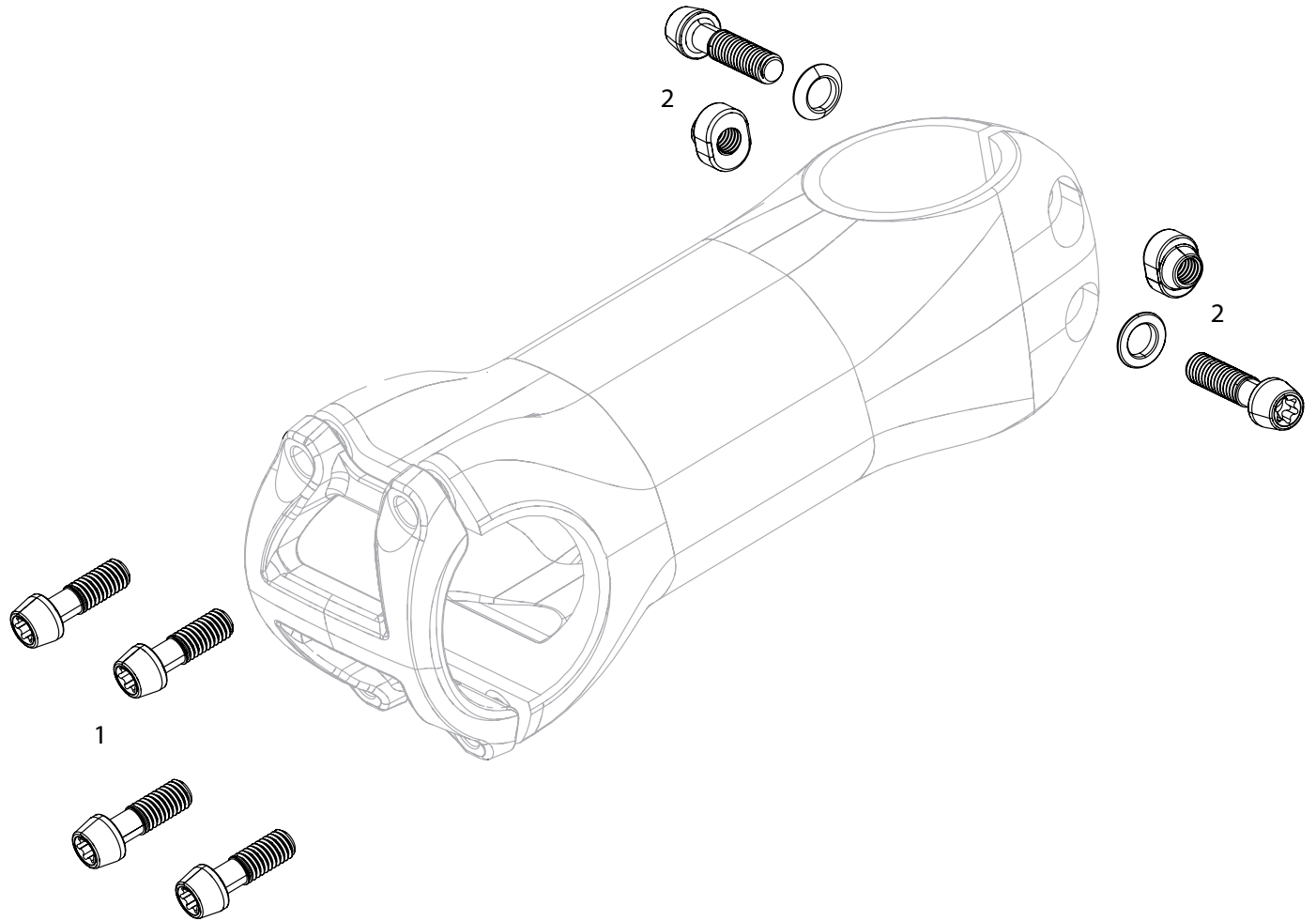
NO.	PART NUMBER	DESCRIPTION
3	11.6818.046.000	SEATPOST TOP AND BOTTOM CLAMP B1 0 AND 20 OFFSET SERVICE COURSE

 Return to
Index



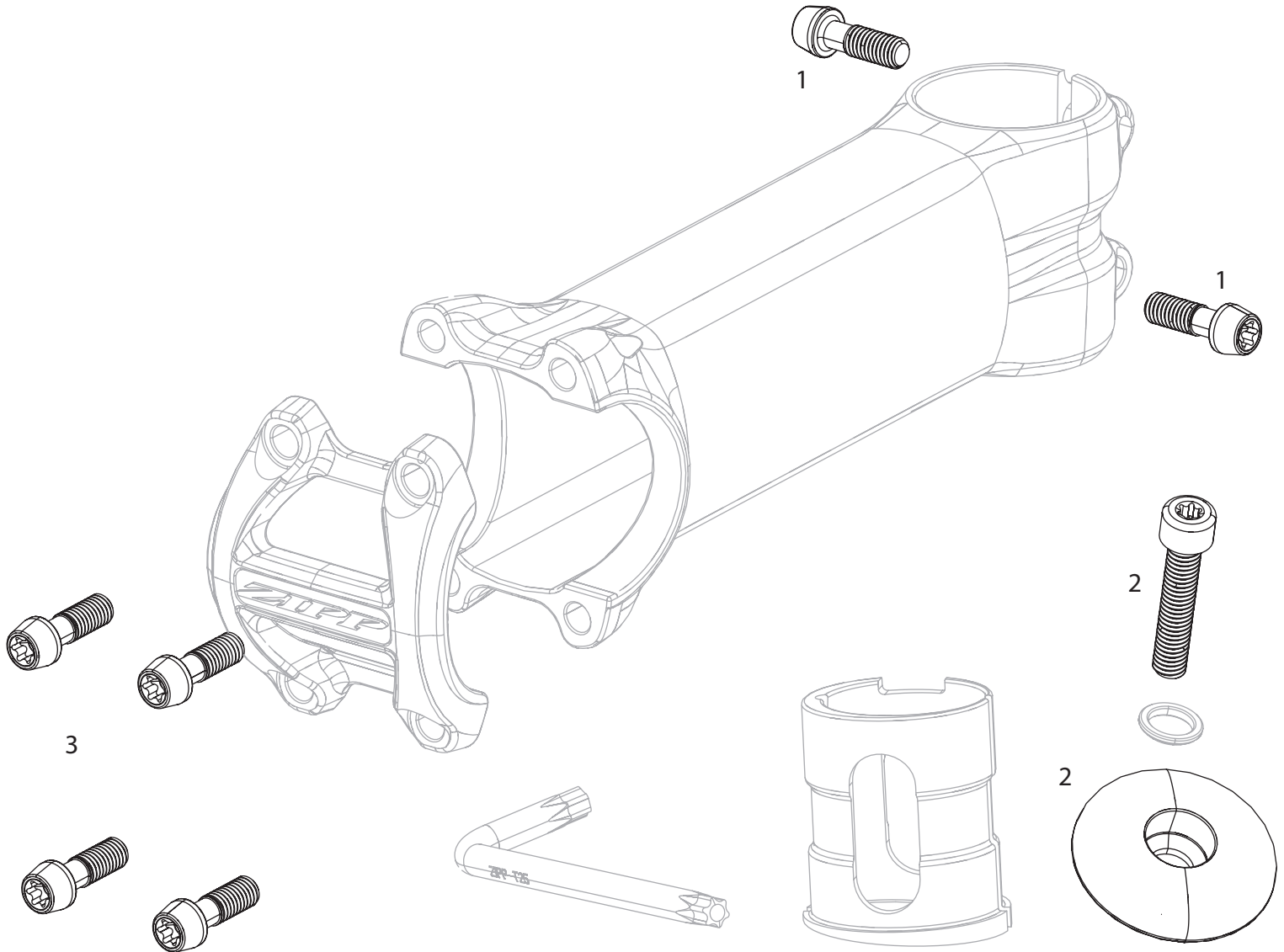
NO.	PART NUMBER	DESCRIPTION
1	11.6518.004.000	STEM BOLT KIT STEERER CLAMP SL SPRINT
2	11.6518.006.000	STEM TOP CAP AND ALUMINUM BOLT SL SPRINT
3	11.6518.003.000	STEM BOLT KIT FACEPLATE SL SPRINT

Return to
Index



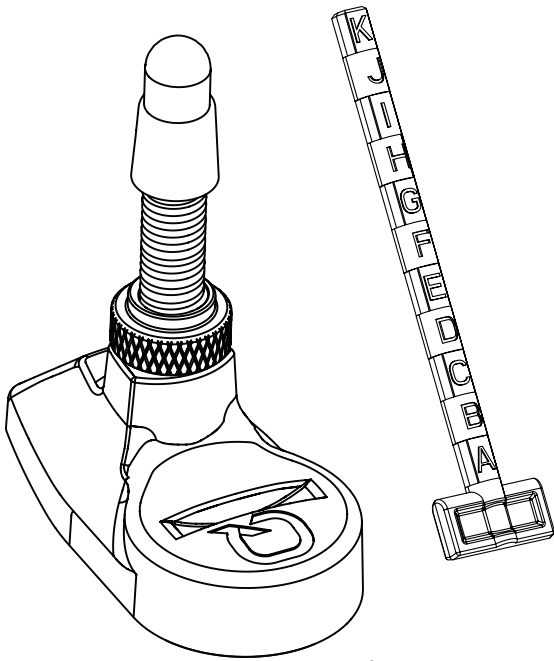
NO.	PART NUMBER	DESCRIPTION
1	11.6518.015.000	STEM BOLT KIT FACEPLATE SL SPEED B1 TITANIUM QTY 4
2	11.6518.016.000	STEM BOLT KIT STEERER CLAMP SL SPEED B1, TITANIUM, QTY 2

Return to
Index



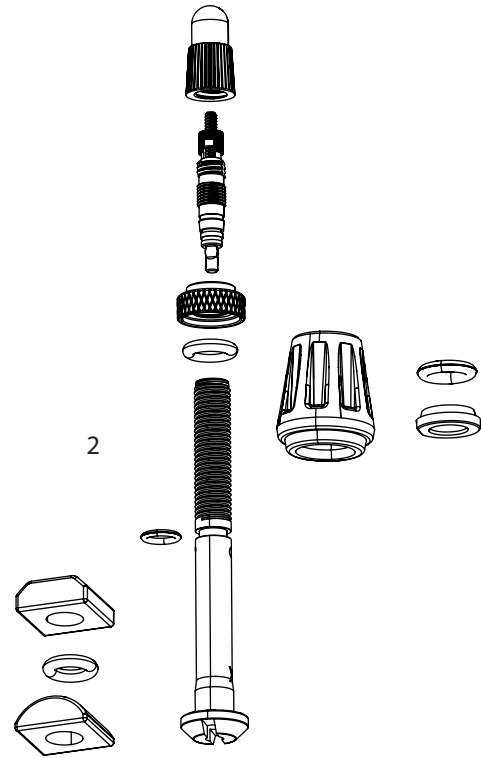
NO.	PART NUMBER	DESCRIPTION
1	11.6518.007.000	STEM BOLT KIT SERVICE COURSE STEEL BLACK B1
2	11.6518.010.000	STEM TOP CAP AND ALLOY BOLT SERVICE COURSE SL POLISHED BLACK
3	11.6515.005.001	STEM BOLT KIT SERVICE COURSE SL TITANIUM BEYOND BLACK A1/B1

Return to
Index



for reference only.
Tyrewiz comes without valve.

1



2

Valve packs sold per 2

NO.	PART NUMBER	DESCRIPTION
1	00.3018.382.033	Quark TyreWiz 2.0 Air Pressure Sensor for Presta Valve (included 2 sensors w/ batteries, 2 rubber bumpers and a rim depth guage) - Valves are not included
ns	11.3018.032.000	VALVE STEM PACKS - LENGTH A (1-8.2MM) INCLUDING 2 VALVES, 2 O-RING SETS, 2 SETS OF SQUARE, O-RING AND ROUND RUBBER SEALS, 1 SEALANT SLEEVE)
2	11.3018.032.001	VALVE STEM PACKS - LENGTH B (8.2-15.4MM) INCLUDING 2 VALVES, 2 O-RING SETS, 2 SETS OF SQUARE, O-RING AND ROUND RUBBER SEALS, 1 SEALANT SLEEVE) - COMPATIBLE WITH HITOP MTB WHEELS
ns	11.3018.032.002	VALVE STEM PACKS - LENGTH C (15.4-22.6MM) INCLUDING 2 VALVES, 2 O-RING SETS, 2 SETS OF SQUARE, O-RING AND ROUND RUBBER SEALS, 1 SEALANT SLEEVE)
ns	11.3018.032.003	VALVE STEM PACKS - LENGTH D (22.6-29.8MM) INCLUDING 2 VALVES, 2 O-RING SETS, 2 SETS OF SQUARE, O-RING AND ROUND RUBBER SEALS, 1 SEALANT SLEEVE)
ns	11.3018.032.004	VALVE STEM PACKS - LENGTH E (29.8-37.0MM) INCLUDING 2 VALVES, 2 O-RING SETS, 2 SETS OF SQUARE, O-RING AND ROUND RUBBER SEALS, 1 SEALANT SLEEVE)
ns	11.3018.032.005	VALVE STEM PACKS - LENGTH F (37.0-44.2MM) INCLUDING 2 VALVES, 2 O-RING SETS, 2 SETS OF SQUARE, O-RING AND ROUND RUBBER SEALS, 1 SEALANT SLEEVE)
ns	11.3018.032.006	VALVE STEM PACKS - LENGTH G (44.2-51.4MM) INCLUDING 2 VALVES, 2 O-RING SETS, 2 SETS OF SQUARE, O-RING AND ROUND RUBBER SEALS, 1 SEALANT SLEEVE)
ns	11.3018.032.007	VALVE STEM PACKS - LENGTH H (51.4-58.6MM) INCLUDING 2 VALVES, 2 O-RING SETS, 2 SETS OF SQUARE, O-RING AND ROUND RUBBER SEALS, 1 SEALANT SLEEVE)
ns	11.3018.032.008	VALVE STEM PACKS - LENGTH I (58.6-65.8MM) INCLUDING 2 VALVES, 2 O-RING SETS, 2 SETS OF SQUARE, O-RING AND ROUND RUBBER SEALS, 1 SEALANT SLEEVE)
ns	11.3018.032.009	VALVE STEM PACKS - LENGTH J (65.8-73.0MM) INCLUDING 2 VALVES, 2 O-RING SETS, 2 SETS OF SQUARE, O-RING AND ROUND RUBBER SEALS, 1 SEALANT SLEEVE)
ns	11.3018.032.010	VALVE STEM PACKS - LENGTH K (73.0-80.2MM) INCLUDING 2 VALVES, 2 O-RING SETS, 2 SETS OF SQUARE, O-RING AND ROUND RUBBER SEALS, 1 SEALANT SLEEVE)



ZIPP Accessories 1/2

00.1915.108.010	AM Rim Tape ZIPP Wide 700c x 18mm Pair (101, Zipp 30)
00.1915.108.020	AM Rim Tape ZIPP 700c X 16mm Pair (Zipp 60, old hybrid-toroidals)
00.1915.108.030	AM Rim Tape ZIPP 650c X 16mm Pair (old hybrid-toroidal 404)
00.1915.108.040	AM Rim Tape ZIPP Wide 700c x 20mm Pair (Carbon Clincher)
00.1915.108.060	AM Rim Tape ZIPP Wide 650C X 20mm Pair (Carbon Clincher)
00.1915.130.060	Zipp Valve Extension Black 27mm for Zipp 202 (use with threaded presta valve)
00.1915.130.070	Zipp Valve Extension Black 33mm for Zipp 302/303 (use with threaded presta valve) QTY 1
00.1915.130.080	Zipp Valve Extension Black 48mm for Zipp 60/404 (use with threaded presta valve)
00.1915.130.090	Zipp Valve Extension Black 72mm for Zipp 808 (use with threaded presta valve)
00.1915.130.100	Zipp Valve Extension Black 98mm for Zipp 1080 (use with threaded presta valve)
00.1918.259.010	Zipp Tangente Aluminum Knurled Valve Extender 808 65mm (Qty 1) (use with Removable Presta Valve, recommended for use with Zipp Tangente Tube)
00.1918.458.000	Tubeless Universal Valve, Removable Valve Core (includes 1 tubeless valve & 1 valve core wrench) - ZIPP 3ZERO MOTO
00.1918.458.001	Tubeless Universal Valve, Removable Valve Core (includes 1 tubeless valve & 1 valve core wrench) - ZIPP 101 XPLR
11.1918.085.001	ZIPP TANGENTE ALUMINUM KNURLED VALVE EXTENDER KIT 60/404 41MM (QTY 2) AND WRENCH (QTY 2) (USE WITH REMOVABLE PRESTA VALVE, RECOMMENDED FOR USE WITH ZIPP TANGENTE TUBE)
11.1918.085.002	ZIPP TANGENTE ALUMINUM KNURLED VALVE EXTENDER KIT 808 65MM (QTY 2) AND WRENCH (QTY 2) (USE WITH REMOVABLE PRESTA VALVE, RECOMMENDED FOR USE WITH ZIPP TANGENTE TUBE)
11.1918.093.000	Tubeless Universal Valve, Removable Valve Core (includes 1 tubeless valve 44MM and 1 valve core wrench) - ZIPP 1ZERO
00.1915.228.030	Zipp 3ZERO MOTO Rim Strip And Tubeless Tape Kit 27" (includes rim strip and tubeless tape for 1 wheel)
00.1915.228.040	Zipp 3ZERO MOTO Rim Strip And Tubeless Tape Kit 29" (includes rim strip and tubeless tape for 1 wheel)
11.1918.086.001	Zipp 101 XPLR MOTO Rim Strip And Tubeless Tape Kit 700C (includes rim strip and tubeless tape for 1 wheel)
11.1918.086.002	Zipp 1ZERO Tubeless Tape kit - width 32mm length 10m (includes tubeless tape for 2 wheels)
11.1918.086.003	Zipp 303 XPLR Tubeless Tape kit - width 34mm length 10m (includes tubeless tape for 2 wheels)
00.1915.093.010	Bearing Grease ZIPP Wheels 20ml Syringe
00.2018.036.000	ZIPP COGNITION OIL - 4OZ SQUEEZE BOTTLE - ZIPP COGNITION HUBS
00.6518.048.002	Zipp Service Course SL QuickView Integrated Road Computer Mount for Garmin/Wahoo or Hammerhead, 31.8mm, Quarter Turn/Twist Lock
00.6518.048.003	Zipp SL Sprint QuickView Integrated Road Computer Mount for Garmin/Wahoo or Hammerhead, 31.8mm, Quarter Turn/Twist Lock
00.6518.055.000	Zipp QuickView MultiMount Computer Mount, 31.8mm, Quarter Turn/Twist Lock, Includes Lower Mount for Light or Camera
00.6518.055.001	Zipp QuickView MultiMount Computer Mount, 35mm, Quarter Turn/Twist Lock, Includes Lower Mount for Light or Camera
00.7918.030.001	ZIPP QuickView TT Computer Mount, 22.3mm, Quarter Turn/Twist Lock
00.1915.133.050	Bottle Cage ZIPP SLSpeed - Carbon
00.1915.133.060	Bottle Cage ZIPP Alumina - Aluminum Black
00.1915.133.100	Bottle Cage ZIPP Alumina - Aluminum Silver
11.1918.083.010	WHEEL DECAL KIT - ZIPP 303 SILVER FOIL - SINGLE WHEEL - WRAP AROUND GRAPHICS
11.1918.083.011	WHEEL DECAL KIT - ZIPP 404 SILVER FOIL - SINGLE WHEEL - WRAP AROUND GRAPHICS
11.1918.083.012	WHEEL DECAL KIT - ZIPP 808 SILVER FOIL - SINGLE WHEEL - WRAP AROUND GRAPHICS



ZIPP Accessories 2/2

00.1915.126.010	ZIPP Service Course Bar Tape Black
00.1915.126.050	ZIPP Service Course Bar Tape CX Black
00.1915.126.060	ZIPP Service Course Bar Tape CX White
00.1915.126.070	ZIPP Service Course Bar Tape CX Red
00.1918.011.000	ZIPP HANDLEBAR PAD SET GEL (INCLUDES ONE LEFT AND ONE RIGHT PAD)
00.7918.059.010	Zipp Speed Box 1.0 (includes mounting hardware and Velcro straps)
00.7918.059.020	Zipp Speed Box 2.0 (includes mounting hardware and Velcro straps)
00.7918.059.030	Zipp Speed Box 3.0 (includes mounting hardware and Velcro straps)
00.7918.059.050	Zipp Transition 1 Gear Bag (includes shoulder strap)
00.7918.059.060	Zipp Single Wheel Bag (includes padded wraparound handle, inner skewer pocket and padded outer layer for wheel protection in transit)
00.1918.775.001	Goodyear Eagle F1 R Z29 Aero designed for Zipp Tube Type Tire 700X29c A1
00.1918.813.000	AM ZIPP NSW TPU TUBE 28-35MM 47 B1
00.1918.809.000	Goodyear Eagle F1 Super Sport R Z29 Aero designed for Zipp Tubeless Tire 700X29c A1
00.1918.811.000	Goodyear VectorR Z30 NSW designed for Zipp Tubeless Tire 700X30c B1
00.1918.811.001	Goodyear VectorR Z35 NSW designed for Zipp Tubeless Tire 700X35c B1
00.1918.747.001	Goodyear for Zipp XPLR INTER Tubeless Tire 700X45c A1
00.1918.748.001	Goodyear for Zipp XPLR SLICK Tubeless Tire 700X40c A1
00.1918.747.003	Goodyear for Zipp XPLR INTER Tubeless Tire 700X50c A1
00.1918.748.003	Goodyear for Zipp XPLR SLICK Tubeless Tire 700X45c A1
00.1918.775.000	Goodyear Eagle F1 R Z29 Aero designed for Zipp Tubeless Tire 700X29c A1
00.1918.786.000	Goodyear VectorR XPLR designed for Zipp Tubeless Tire 700X40c A1
00.1918.787.002	ZIPP AXS Smart Tube TPU 28-35mm - with Zipp tyre pressure sensor specific valve 60mm - designed for 303SW/353NSW with wheel sensor
00.1918.787.003	ZIPP AXS Smart Tube TPU 35-50mm - with Zipp tyre pressure sensor specific valve 60mm - designed for 303SW/353NSW with wheel sensor





WORLD HEADQUARTERS

SRAM, LLC
1000 West Fulton Market
4th Floor
Chicago, Illinois 60607 USA
Dealers: +1-800-346-2928
Tel: +1-312-664-8800
Fax: +1-312-664-8826

EUROPEAN HEADQUARTERS

SRAM EUROPE SALES & SERVICES BV
Paasbosweg 14-16
3862ZS Nijkerk
The Netherlands
Tel: +31-33-4506060
Fax: +31-33-4570200

ASIAN HEADQUARTERS

SRAM TAIWAN
No. 1598-8 Chung Shan Road
Shen Kang Hsiang, Taichung
County 429
Taiwan
Tel: +886-4-2521-3688
Fax: +886-4-2561-3686