



www.truvativ.com

Hussefelt Chainguide - 2001

Installation and Service

This manual will cover the installation of the TruVativ Hussefelt crank arms and Chain Guide. To ensure correct installation and performance we recommend the services of a qualified, professional bicycle technician. If you are adventurous and plan to install these parts yourself, please read this entire manual carefully before proceeding.

TruVativ assumes no responsibility for malfunction or injury caused by faulty installation or maintenance. And you should be aware that bolts can rattle loose and parts may be damaged after a crash. All parts must be frequently checked and serviced to ensure safety.

Parts & Tools

Parts:

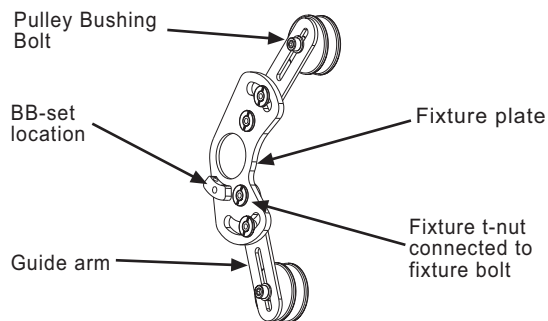
- Hussefelt Crank Arm, Right
- Hussefelt Crank Arm, Left
- Chain Guide

Tools:

- 5, 6 & 8mm Allen keys
- Torque wrench
- Flat blade screwdriver

Chain Guide Overview

Figure 1. Identifies the parts of the chain guide.



Please Note: The guide arms can be placed on either side of the fixture plate to allow for different chainring placement. Below in **Figure 2**, the arms are shown in both configurations. In view **A** the chainring is placed on the inside of the spider and the guide arms are placed to the inside of the fixture plate. View **B** the chainring is placed to the outside of the spider and the guide arms are placed to the outside of the fixture plate.

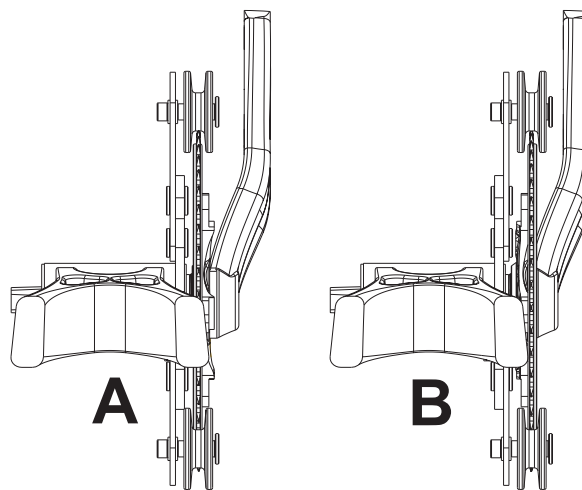


Figure 2. Rear Views of Drive Side

Chain Guide Installation

Note: Use E-Type BB with 113mm spindle

The chain guide fits between the drive side bottom bracket cup and the frame as shown below. Follow torque requirements specified by the BB manufacturer. The TruVativ logo should face away from the bicycle frame.

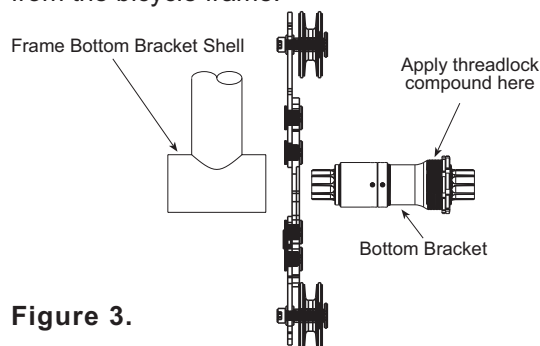


Figure 3.

Install the crank assembly as specified in **Figure 4**. Grease the bottom bracket capless bolt threads and under the bolt head, then tightened to the torque requirements in **Figure 4**. It is important to remember that if bolts are not tight, they may come loose. If too much torque is applied, then the bolt may fail. It is necessary to use a torque wrench for proper installation.

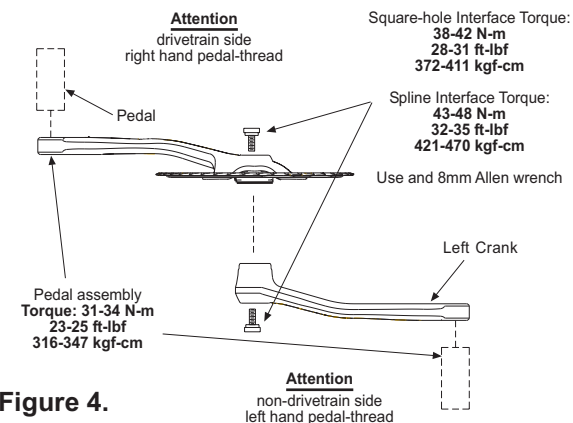


Figure 4.

Figure 5 shows the correct placement of the guide arms and pulleys in relation to the bicycle chainstay. Pulley A is approximately located between the 11 o'clock and 12 o'clock position, this is the location where the chain and chainring teeth meet when the chain is in the largest cassette on the rear wheel and the suspension is fully compressed. Pulley B is located between the 7 and 8 o'clock position. Both pulleys should be placed so the chain and chainring are overlapped by the flanges of the pulley.

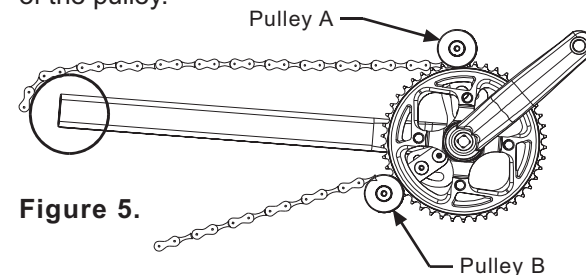


Figure 5.

Finally, the fixture bolt, BB-set button head screw and pulley bushing bolts should be tightened to a torque of 6-7 ft-lbf or 8-9.5 N-m or 81.5-97 kg-cm. The setscrews on the BB-set should be tightened to a torque of 30-40 in-lbf or 3.5-4.5 N-m or 36-49 kg-cm.