



www.truvativ.com

## Handlebars and Stems

### Congratulations!

Thank you for purchasing a Truvativ handlebar or stem. The following instructions should be read thoroughly before installation. Improper installation of your Truvativ handlebar or stem may cause an unexpected failure of the parts that could cause you to lose control of your bicycle resulting in serious injury or death. We recommend having your parts installed by a qualified bicycle technician. Truvativ assumes no responsibility for malfunction or injury due to faulty installation.

### Application Chart

Handlebar	Road	XC	AM	DH
Drop Bar: Rouleur AeroBar, Team, XR AeroBar, XR, LE	■			
Flat Bar: Team Carbon, Team, XR	■	■		
Riserbar: Team Carbon, XR, LE	■	■	■	
Riserbar: Team, Holzfeller, Hussefelt	■	■	■	■
Stem	Road	XC	AM	DH
Road: Rouleur, Team, XR	■			
MTB: Team, XR	■	■	■	
MTB: Hussefelt, Holzfeller	■	■	■	■

Key: XC = Crosscountry  
AM = All-Mountain  
DH = Downhill

### Parts and Tools

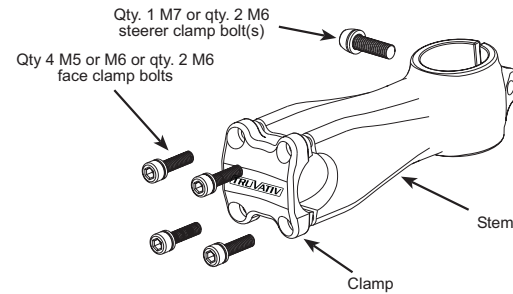
#### Tools:

- 4mm hex key wrench for M5 face clamp bolts
- 5mm hex key wrench for M6 face clamp bolts
- 6mm hex key wrench for M7 steerer clamp and face clamp bolts
- Torque wrench

#### Supplies:

- Grease or titanium anti-seize for titanium bolts

#### Parts:



### Parts Preparation

#### Step 1

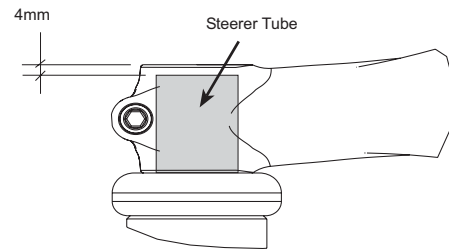


Figure 1

The top of the steerer tube should be cut 4mm below the top of the stem as shown in Figure 1 above.

#### Step 2

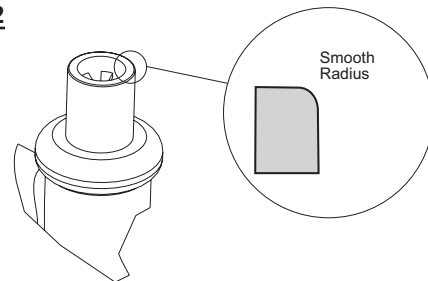


Figure 2

Deburr the top of the steerer tube using a small file and sandpaper to smooth the outer edge of the steerer tube.

#### Step 3

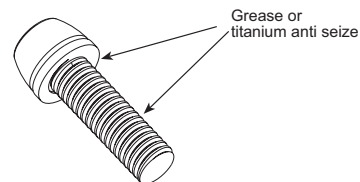


Figure 3

Use grease or titanium anti-seize on all bolt threads before assembly.

#### Step 4

Degrease stem steerer clamp, bar clamp, handlebar, and steerer tube using a clean rag prior to installation.

### Assembly

#### Step 1

Install stem on steerer tube and preload headset to manufacturers specification.

#### Step 2

Tighten steerer clamp pinch bolt(s) to the specifications in the following table:

M7 bolt (Rouleur, Team, XR)	110-120 in•lbf. (12.4-13.6 N•m, 127-138 kgf•cm)
M6 bolt (Holzfeller, Hussefelt)	70-80 in•lbf. (7.9-9.0 N•m, 80-92 kgf•cm)

**WARNING: DO NOT OVER-TIGHTEN BOLT(S)!** Over-tightening stem steerer clamp pinch bolt(s) may cause damage to steerer tube, which could result in premature failures. Make sure to use a properly calibrated torque wrench.

#### Step 3

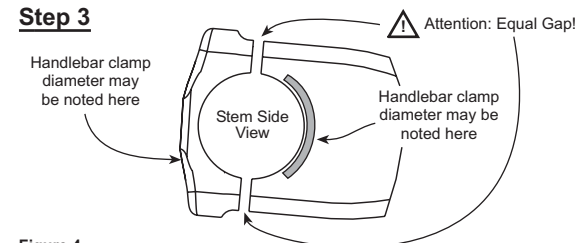


Figure 4

Truvativ handlebars are manufactured in two different clamp diameters: 31.8mm and 25.4mm. The stem clamp must be the same size as the handlebar, it is indicated either on the side of the stem or the face of the stem as shown in Figure 4.

Install bar onto stem and tighten bar clamp bolts. Torque all bolts to the specification in the table below while maintaining an equal gap between the stem and handlebar clamp as shown in Figure 4.

M5 bolt (Rouleur, Team, XR)	40-50 in•lbf. (4.5-5.6 N•m, 46.0-57.6 kgf•cm)
M6 bolt (Holzfeller, Hussefelt)	50-60 in•lbf. (5.6-6.8 N•m, 57.6-69.1 kgf•cm)

**WARNING: DO NOT OVER-TIGHTEN BOLT(S)!** Over-tightening handlebar clamp bolt(s) may cause damage to the handlebar, which could result in premature failures. Make sure to use a properly calibrated torque wrench.

#### Step 4

Avoid scratching or gouging the handlebar when installing the controls. If necessary deburr the control clamp surfaces.

#### Step 5

If installing bar ends, make certain that the handlebar ends are not crimped when bar ends are tightened.

### Safety Check

#### Step 1

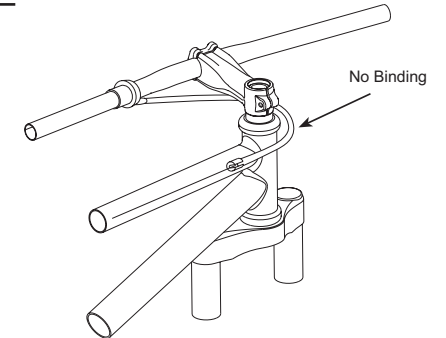


Figure 5

Check cables for binding. The front wheel must be free to turn at least 90 degrees to either side of the bicycle frame as shown above.

#### Step 2

Pinch front wheel between knees and twist handlebar. The stem should not twist separately from the front wheel.

### Warranty

We at Truvativ stand behind our products and our customers. Our Handlebars and stems are warranted for one year from the date of purchase against manufacturing defects and workmanship. This warranty is not valid for "abused" or neglected products, or products that are damaged by improper installation or assembly. We define an abused product as one that was subjected to use outside of its design intent. Please pay special attention to the Application Chart shown earlier in this manual to verify you are using the product for its intended purpose.

If you feel you have a warranty claim, would like to learn more about our warranty policy, or have further questions or comments please visit our web site at [www.truvativ.com](http://www.truvativ.com). You may also contact us using the information below:

**Truvativ USA**  
Tel [1] (805) 787-0917  
amsales@truvativ.com,  
warranty@truvativ.com

**Truvativ Germany**  
Tel [49] 23 02 399-280  
eusales@truvativ.com

**Truvativ Asia (Taiwan)**  
Tel [886] (42) 496 5899  
taiwansales@truvativ.com