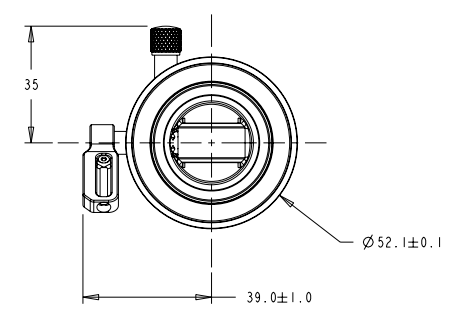
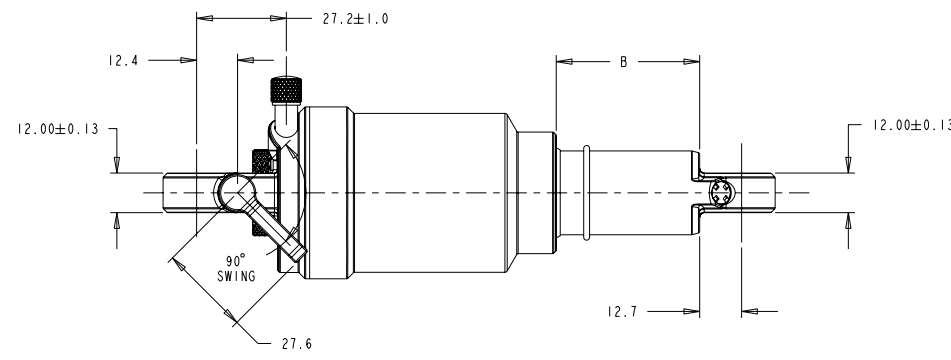
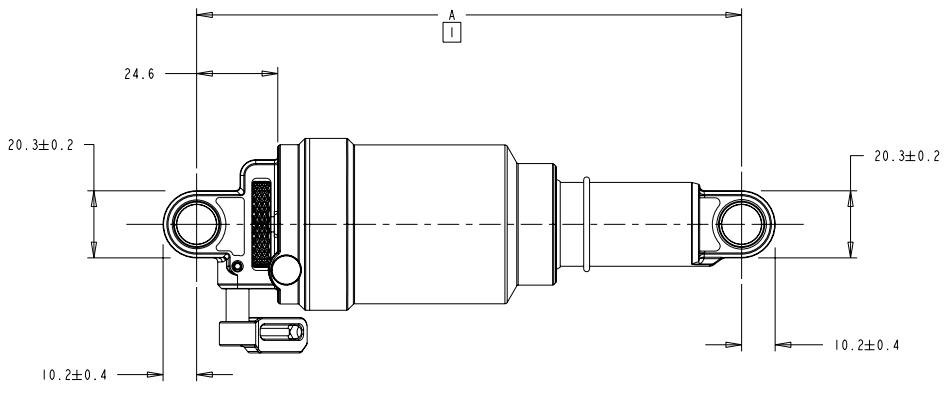


REV	DATE	CLASS	REVISION RECORD	DR	CK
A	30JAN04	M	ECN 11363; RELEASE FOR MPOS	SO	ES
B	08JUN04	P	ECN 12131; CHANGE B FULLY COMPRESSED 5.4, 5.4 AND 14.9 WAS 2.0, 2.0 AND 11.5. CHANGE B FULLY EXTENDED 43.5, 56.2 AND 65.7 WAS 40.1, 52.8 AND 62.3. CHANGE 10.2 ± 0.4 WAS 8.6 ± 0.4. 12.40 WAS 12.39. 35 WAS 34.46. DELETE 90PSI NEGATIVE AIR PRESSURE IN NOTE 1. DELETE 39.2 ± 1.0 AND 10" (± 5") ASSEMBLY TOLERANCE. DELETE DIM E AND COLUMN TABLE FROM DRAWING.	SO	BB



NOTES: (UNLESS OTHERWISE SPECIFIED)

1. SHOCK FREE LENGTH MEASURED WITH 100psi POSITIVE AIR PRESSURE.
2. MOUNT PARTS PER STANDARD MOUNTING OPTION SPECIFICATION US4-306693-000.
3. SHOCK DIMENSIONS OTHER THAN DEPICTED REQUIRE CUSTOM CONFIGURATION.
4. SRAM RESERVES THE RIGHT TO CHANGE SPECIFICATIONS WITHOUT NOTICE.

(EYE TO EYE) x (TRAVEL)	A ± 3.0	B ± 3.0 (FULLY COMPRESSED)	B ± 3.0 (FULLY EXTENDED)
165 mm x 38 mm	165.1	5.4	43.5
178 mm x 51 mm	190.5	5.4	56.2
200 mm x 51 mm	200.0	14.9	65.7

<p>SRAM Corporation Global Headquarters 1333 North Kingsbury Chicago, IL 60622 USA 312-864-8800 SDC REV B</p>	<p>GEOMETRIC DIMENSIONING AND TOLERANCING TO BE INTERPRETED PER ANSI Y14.5M 1994 DO NOT SCALE DRAWING</p>	<p>ALL DIMENSIONS ARE mm UNSPECIFIED XX ±0.5 TOLERANCE XX.X ±0.1 ANGLES</p>	<p>THIRD ANGLE PROJECTION</p>	<p>TOOL FINISH</p>	<p>MATERIAL</p>	<p>TITLE USER SPECIFICATION, ARIO LOCKOUT</p>			
						<p>CONFIDENTIAL - THIS DRAWING CONTAINS INFORMATION THAT IS PROPRIETARY TO SRAM CORPORATION AND MAY NOT BE DISCLOSED WITHOUT PERMISSION.</p>	<p>DESIGN BY</p>	<p>SOLDS</p>	<p>APPROVAL E. SWAIDNER</p>