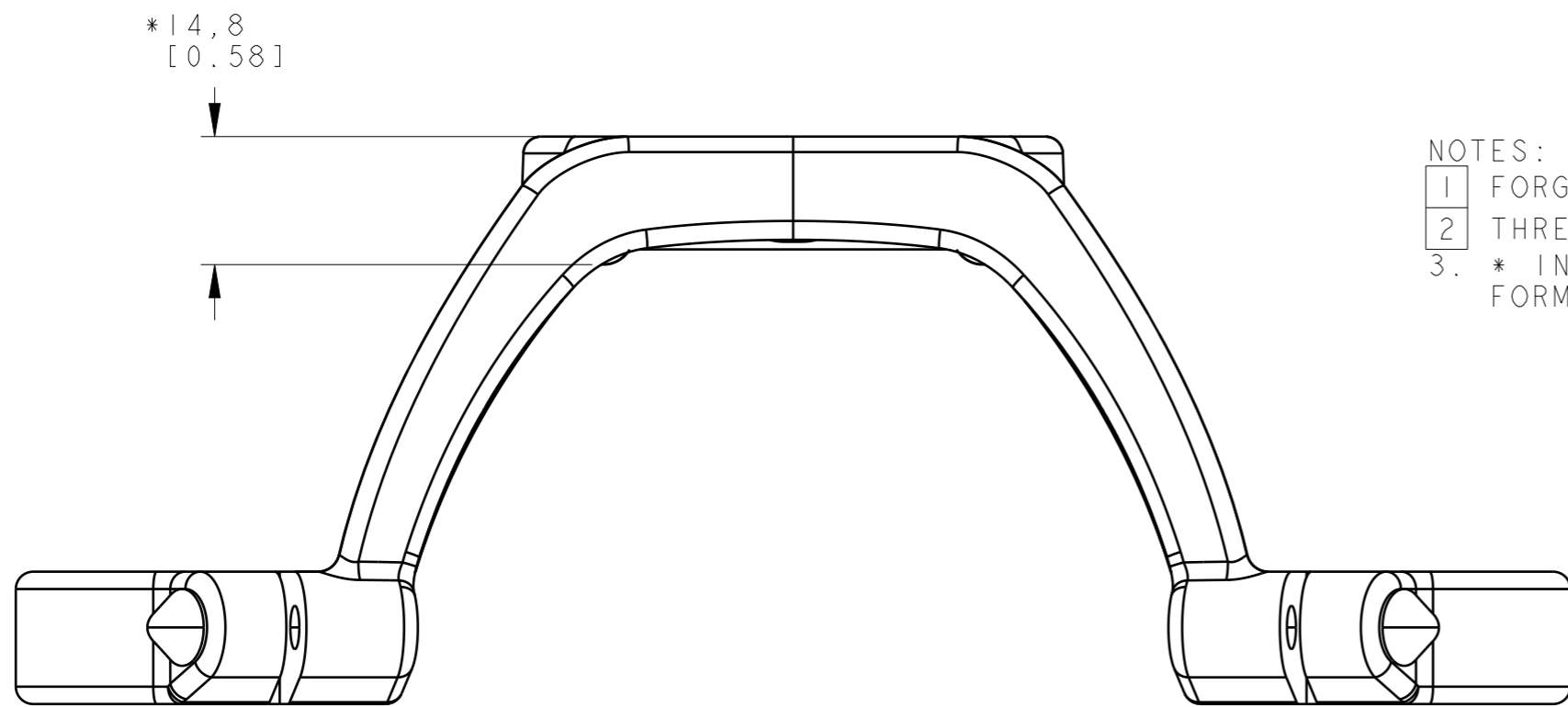
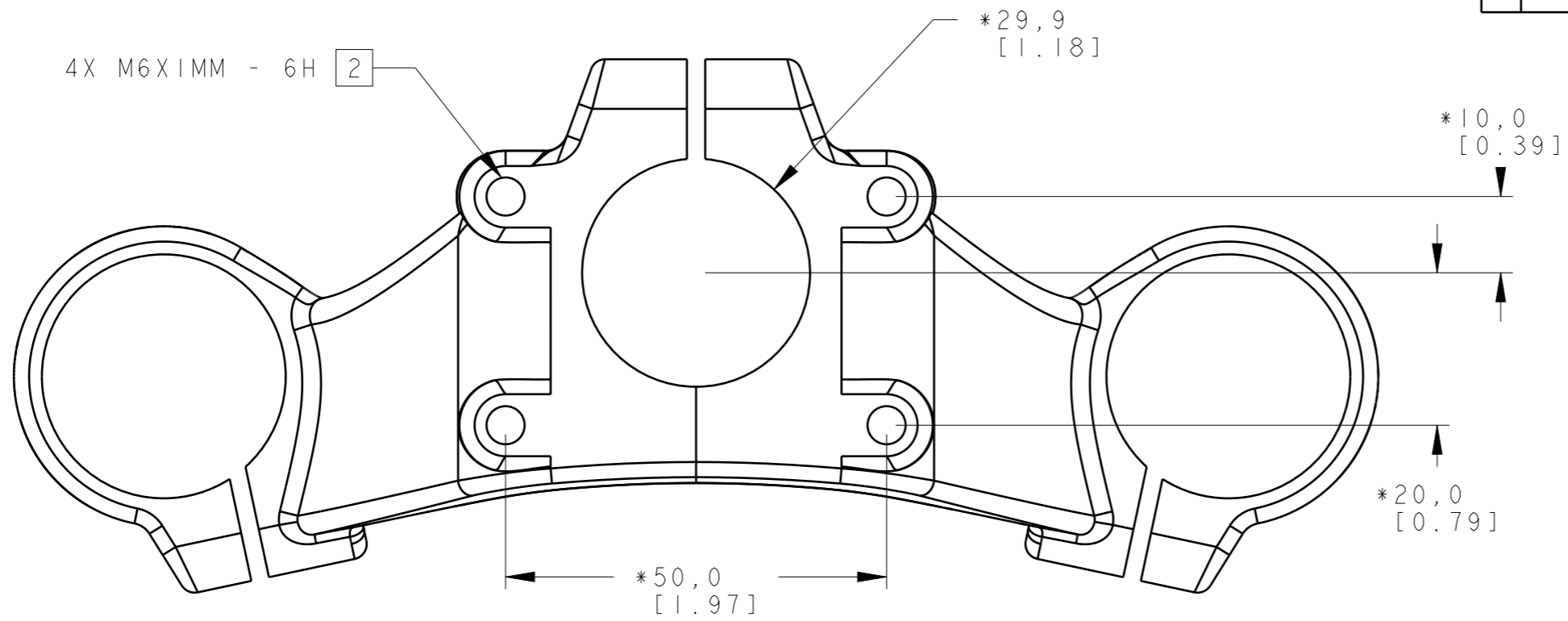


REV	DATE	CLASS	REVISION RECORD	DR	CK
A	18DEC03	M	ECN 11263 RELEASE MY05	JB	CD
B	14OCT08	-	ECN 3003287 CHANGE: TITLE DIRECT MOUNT STEM STANDARD WAS TOP CROWN DIRECT MOUNT STEM BOLT PATTERN	GC	JB

THIS IS FOR EXTERNAL STEM MANUFACTURER REFERENCE ONLY

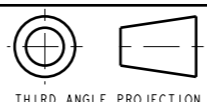


- NOTES:
- [1] FORGED ALUMINUM 6061-T6
 - [2] THREAD FORM PER ANSI B1.13M - LATEST VERSION
 - 3. * INDICATES THE DIMENSION IS CRITICAL TO THE FORM FIT OR FUNCTION OF THE PART OR PRODUCT.

SRAM
 SRAM Corporation
 Global Headquarters
 1333 North Kingsbury
 Chicago, IL 60622
 USA 312-664-8800
 SDC REV B

GEOMETRIC DIMENSIONING AND TOLERANCING TO BE INTERPRETED PER ANSI Y14.5M 1994
 DO NOT SCALE DRAWING

ALL DIMENSIONS ARE mm
 UNSPECIFIED XX ±0.5
 TOLERANCE XX.X ±0.1
 ANGLES ±5°



TOOL FINISH

DRAWN BY JEREMIAH BOOBAR

MATERIAL [1]

APPROVAL C. DEWITT

TITLE DIRECT MOUNT STEM STANDARD

SCALE 0.5 DATE 18DEC03 DRAWING NUMBER ES4-308884-000 REV B
 FORMAT A3