



www.truvativ.com

Seatposts

Congratulations!

Thank you for purchasing a Truvativ seatpost. The following instructions should be read thoroughly before installation. Improper installation of your Truvativ seatpost may cause an unexpected failure of the parts that could cause you to lose control of your bicycle resulting in serious injury or death. We recommend having your parts installed by a qualified bicycle technician. Truvativ assumes no responsibility for malfunction or injury due to faulty installation.

Application Chart

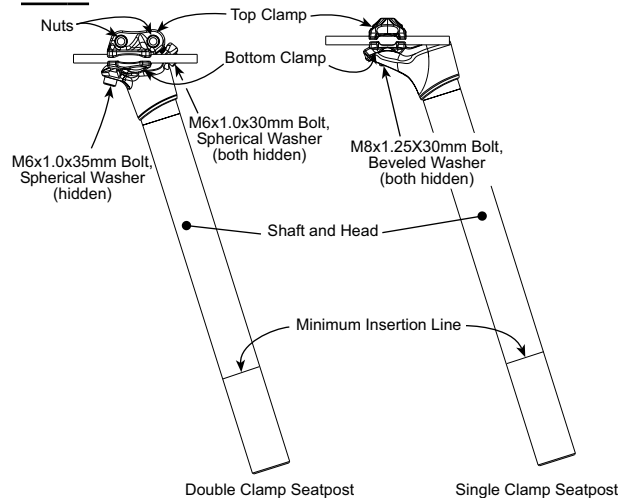
Part	Road	XC	AM	DH
XR, Team Single Clamp				
XR, Team Double Clamp				

Key:

XC = Crosscountry
AM = All-Mountain
DH = Downhill

Parts and Tools

Parts:



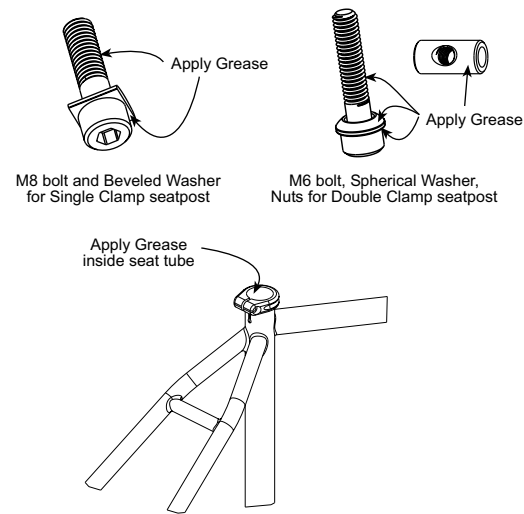
Tools:

- 5 mm hex wrench for dual M6 bolts or 6 mm hex wrench for single M8 bolt
- Torque wrench

Supplies:

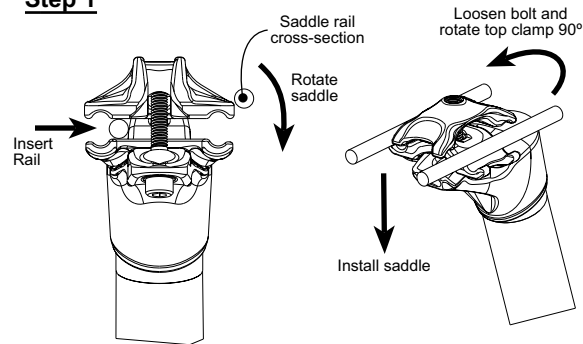
- Grease

Parts Preparation



Assembly

Step 1



Rear view of Double Clamp seatpost Angled view of Single Clamp seatpost

Figure 1

Loosen the clamp bolt(s) as shown in Figure 1 and install the saddle as shown for your type of seatpost. The top clamp need not be completely removed to install the saddle onto either type of seatpost.

Step 2

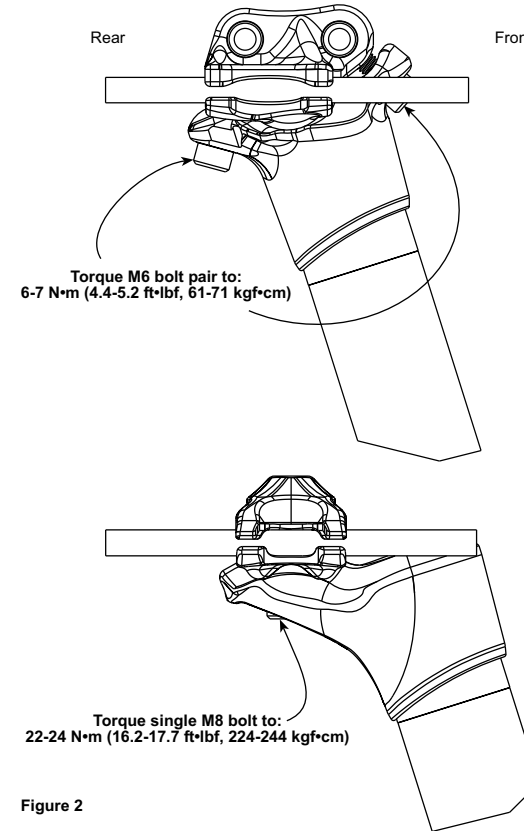


Figure 2

Adjust the saddle to the desired angle and offset, then torque the saddle clamp bolts to the torque specified in Figure 2, depending on the type of seatpost you have.

Step 3

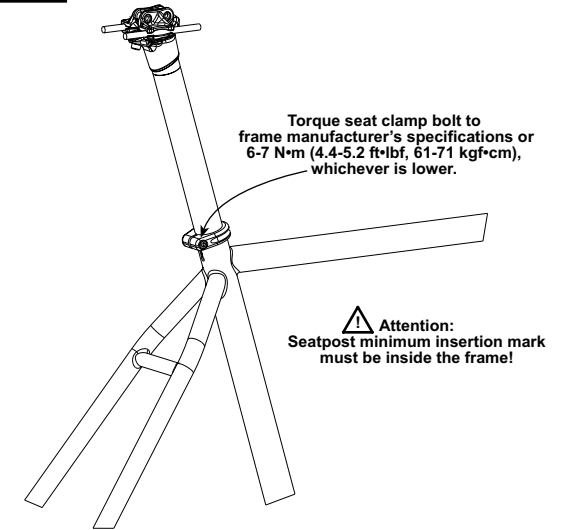


Figure 3

Install the seatpost into your frame. Make sure the seatpost's minimum insertion mark is inside the frame's seat tube. Torque the seap clamp bolt on the frame to the specification in Figure 3.

Warranty

We at Truvativ stand behind our products and our customers. Our seatposts are warranted for one year from the date of purchase against manufacturing defects and workmanship. This warranty is not valid for "abused" or neglected products, or products that are damaged by improper installation or assembly. We define an abused product as one that was subjected to use outside of its design intent. Please pay special attention to the Application Chart shown earlier in this manual to verify you are using the product for its intended purpose.

If you feel you have a warranty claim, would like to learn more about our warranty policy, or have further questions or comments please visit our web site at www.truvativ.com. You may also contact us using the information below:

Truvativ USA
Tel [1] (805) 787-0917
contact@truvativ.com,
warranty@truvativ.com

Truvativ Germany
Tel [49] 23 02 399-280
eusales@truvativ.com

Truvativ Asia (Taiwan)
Tel [886] (42) 496 5899
taiwansales@truvativ.com