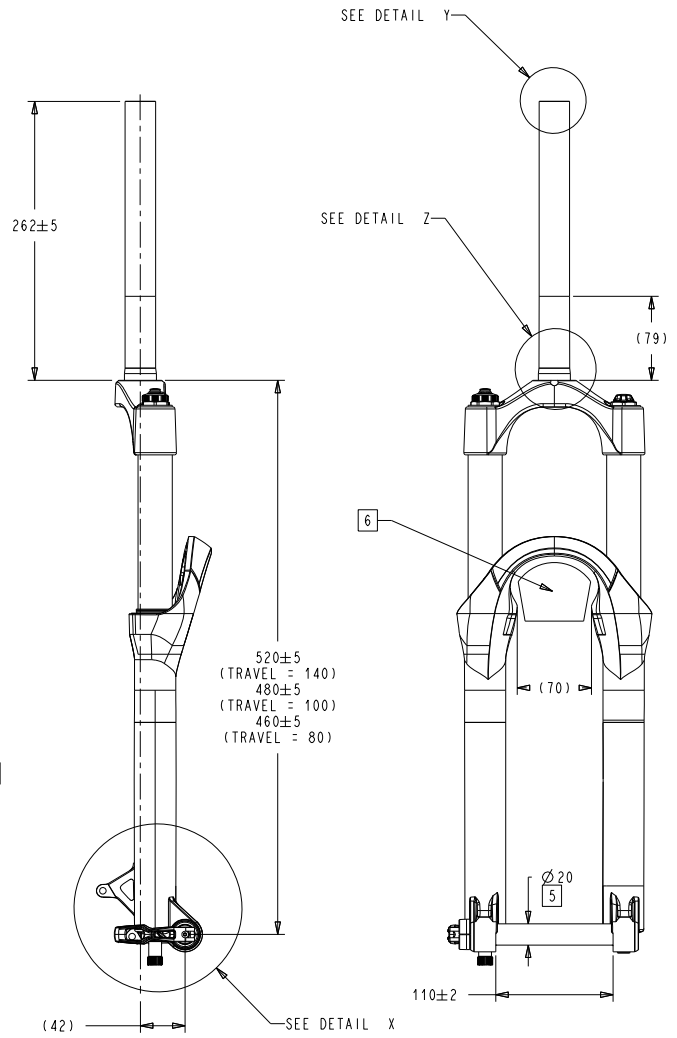
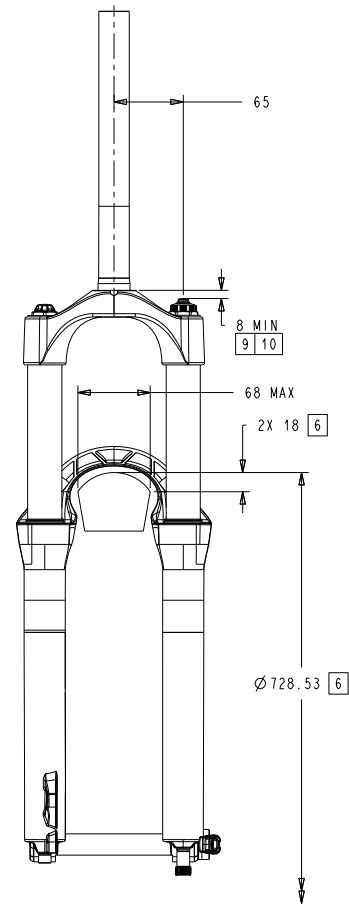
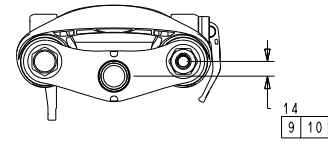
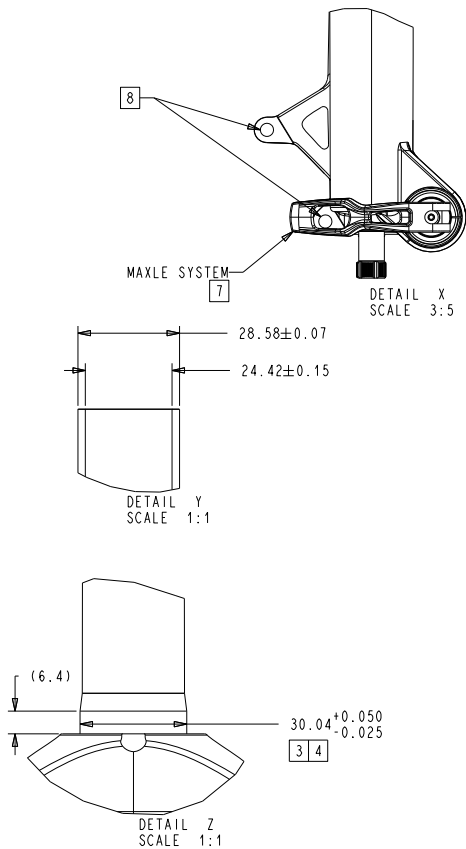


| REV | REVISION RECORD |
|-----|---------------------|
| A | ECN 3007656 RELEASE |



- NOTES:
- DRAWING NOT TO SCALE. DIMENSIONAL REFERENCE ONLY. SRAM RESERVES THE RIGHT TO CHANGE SPECIFICATIONS WITHOUT PRIOR NOTICE.
 - REFERENCE DIMENSIONS NOTED WITH "()" ARE FOR CUSTOMER DESIGN INFORMATION ONLY.
 - CROWN RACE Ø'S MEASURED AS AVERAGE OF THREE DIAMETRIC POINTS MINIMUM.
 - HEADSET CUP ID MUST BE GREATER THAN STEER TUBE OD + 0.3MM.
 - 110 X 20MM THRU AXLE HUB ONLY WITH Ø25MM MAX OUTER SHOULDER AND Ø20.05 MIN INNER DIAMETER BORE.
 - IMPORTANT: CUSTOMER IS RESPONSIBLE FOR ENSURING MINIMUM TIRE CLEARANCE. DO NOT EXCEED MAXIMUM TIRE ENVELOPE INDICATED ON THIS DRAWING.
 - IMPORTANT: CUSTOMER IS RESPONSIBLE FOR ENSURING THAT ROCKSHOX MAXLE SYSTEM IS USED PER SRAM'S OPERATING INSTRUCTIONS (SEE USER MANUAL).
 - REFERENCE IS2000 DISC BRAKE STANDARD.
 - FORK / FRAME CLEARANCE (WORST CASE).
 - 3D REPRESENTATION FILES (.IGS AND .STP) AVAILABLE UPON REQUEST

| | | | | |
|----------------------------|--|-------------------------------------|------------|--------------|
| DESIGNED BY: B. PACKER | | FORMAT: A2 | SCALE: 1:5 | SHEET: 1 / 1 |
| LIFECYCLE STATUS | | Released | | |
| DRAWING NAME / DESCRIPTION | | USER SPECIFICATION, MY11 ARGYLE RCT | | |
| DRAWING NUMBER | | 98-4015-009-000 | | VERSION |
| | | | | A.3 |

| | | |
|------------------------------|---|---|
| ALL DIMENSIONS ARE mm | | GEOMETRIC DIMENSIONING AND TOLERANCING TO BE INTERPRETED PER ANSI Y14.5M 1994 |
| THIRD ANGLE PROJECTION | * INDICATES THE DIMENSION IS CRITICAL TO THE FORM, FIT OR FUNCTION OF THE PART OR PRODUCT | |
| UNFINISHED LENGTH DIMENSIONS | ± 0.1 | |
| FINISHED LENGTH DIMENSIONS | ± 0.05 | |
| FROM 0.5 up to 3 | ± 0.1 | |
| FROM 3 up to 30 | ± 0.2 | |
| FROM 30 up to 100 | ± 0.3 | |
| FROM 100 up to 1000 | ± 0.5 | |
| UNDECAILED ANGLE DIMENSIONS | ± 0.5 | |