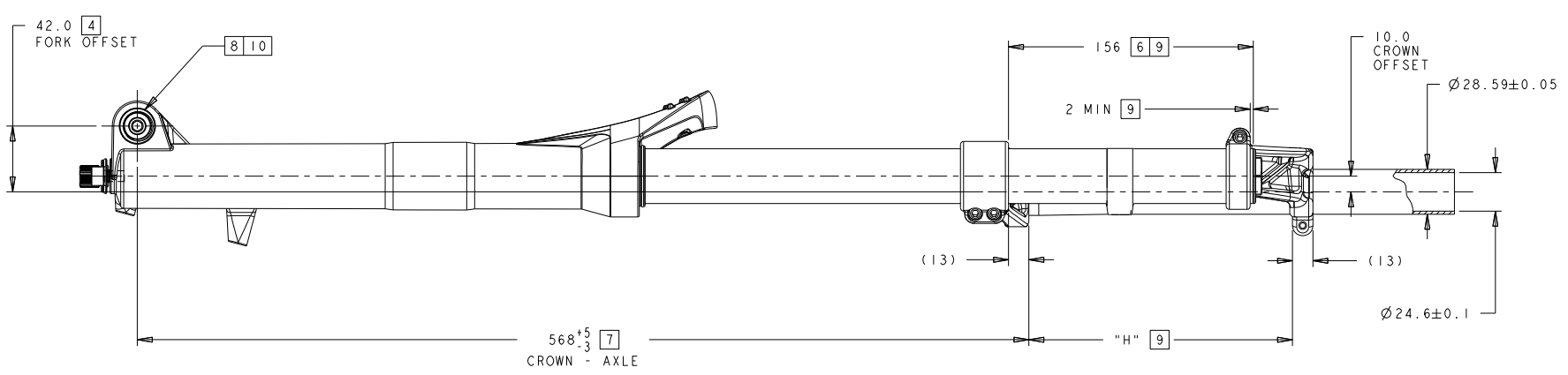
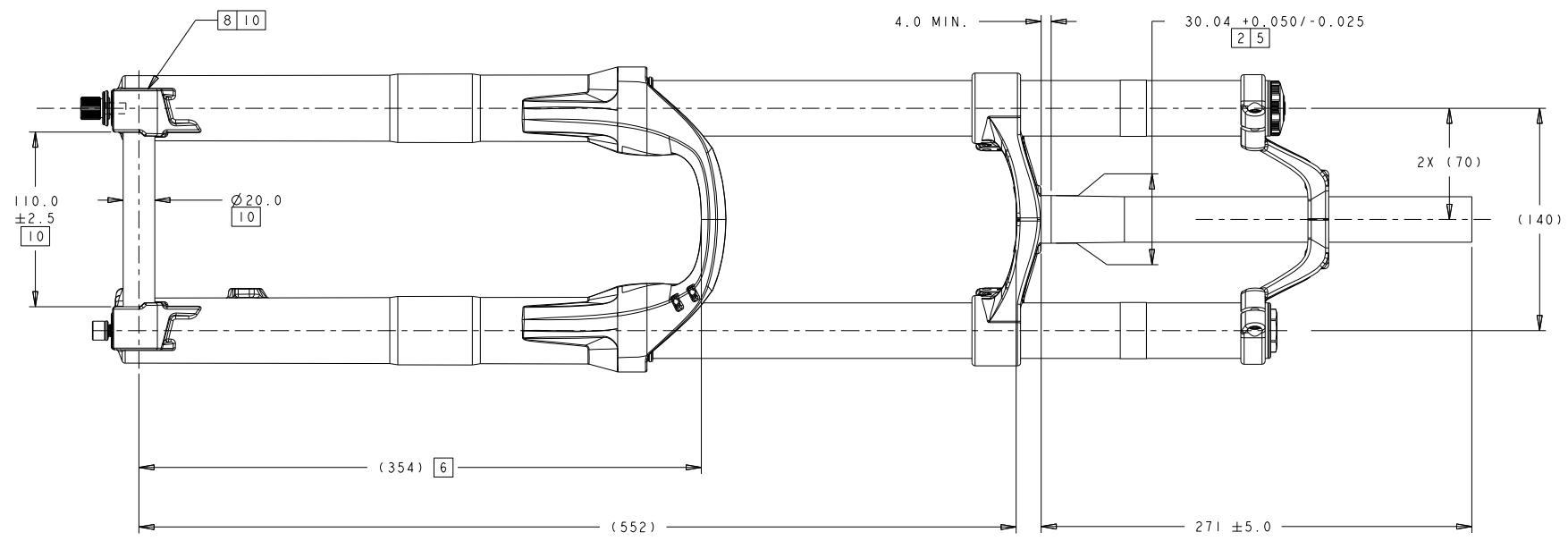


REVISION	REVISION RECORD
A	ECN 3001790, RELEASE
B	ECN 3002882: ADD; BUMPERS, CHANGE; AXLE.
C	ECN 3003441 CHANGE: TITLE SPEC, USER, MY10, BOXXER WAS SPEC, USER, MY09, BOXXER
D	ECN 3004298 ADD: TABLE (H2), CHANGE: 156 ±2 WAS 156 (G11), "H" WAS 168.0 (J11) DELETE: REVISION TABLE FROM SH1 2



BOXXER CROWN	"H" +1-2
UPPER SHORT	≤ 148
UPPER TALL	≤ 168

SHEET 1 OF 2

	SRAM Corporation Global Headquarters 1333 North Kingsbury Chicago, IL 60622 USA 312-664-8800	REV C GEOMETRIC DIMENSIONING AND TOLERANCING TO BE INTERPRETED PER ANSI Y14.5M 1994 * INDICATES THE DIMENSION IS CRITICAL TO THE FORM, FIT OR FUNCTION OF THE PART OR PRODUCT.	ALL DIMENSIONS ARE IN THIRD ANGLE PROJECTION	UNTOLERANCED LENGTH DIMENSIONS (mm) LENGTH DIMENSIONS TOLERANCE From 0.5 up to 61 ± 0.1 Over 61 up to 150 ± 0.2 Over 150 up to 300 ± 0.3 Over 300 up to 600 ± 0.5 Over 600 up to 1000 ± 0.75	MATERIAL N/A	Lifecycle Status In Work	TITLE SPEC, USER, MY10 BOXXER
				DO NOT SCALE DRAWING SCALE 0.2 FORMAT A2	DRAWING NUMBER US-4015-020-000		