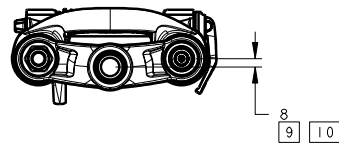
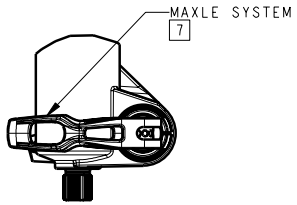
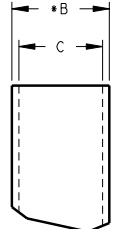


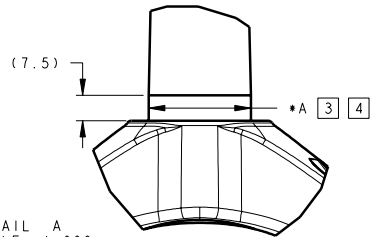
REV	DATE	CLASS	REVISION RECORD	DR	CK
A	10JAN06	M	ECN 17216 RELEASE FOR MY07	DG	CD
B	11DEC07	-	ECN 3000193 ADD RECOMMENDED BOLT ENGAGEMENT 9-12 MM (K8)	AWS	JJB
C		-	ECN 3003095 ADD: TAPER STEER ROW TO TABLE (G1); *555±5 (TRAVEL=170) (G12). CHANGE: TITLE WAS ROCKSHOX USER SPECIFICATION MY07 LYR.	DG	



DETAIL C
SCALE 0.600



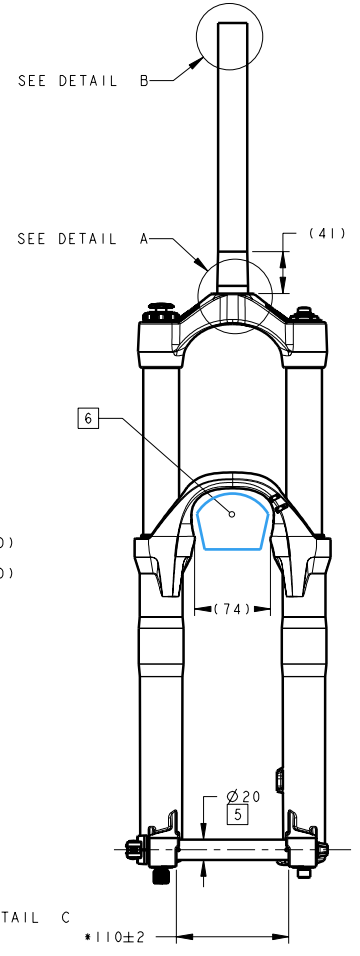
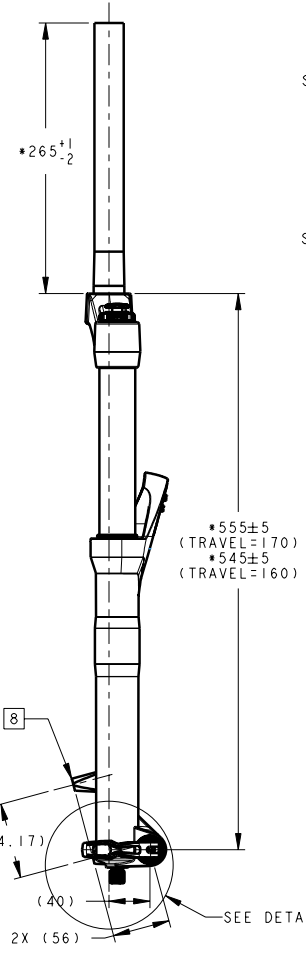
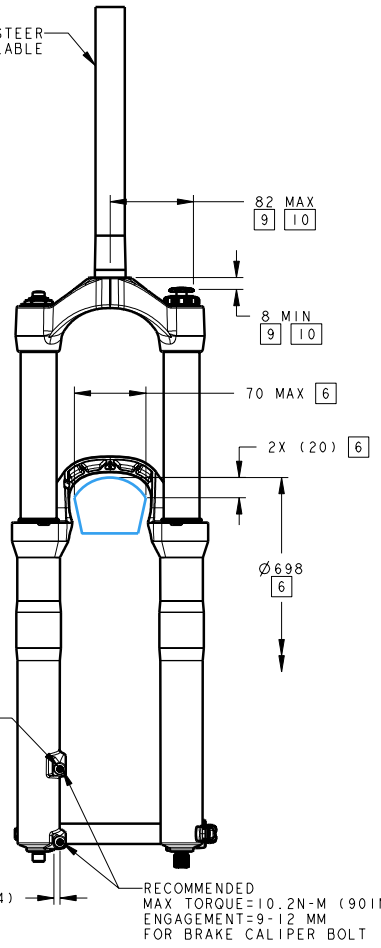
DETAIL B
SCALE 1.000



DETAIL A
SCALE 1.000

STEER TUBE	*A [3] [4]	*B	C
1-1/8 ALUM	30.040+0.050/-0.025	28.58±0.07	24.45±0.15
1.5 ALUM	39.820+0.050/-0.025	38.14±0.07	34.95±0.15
TAPER	39.820+0.050/-0.025	28.58±0.07	24.45±0.15

1-1/8, 1.5 & TAPER STEER TUBE OPTIONS AVAILABLE



NOTES (UNLESS OTHERWISE SPECIFIED):

- SRAM RESERVES THE RIGHT TO CHANGE SPECIFICATIONS WITHOUT PRIOR NOTICE.
- REFERENCE DIMENSIONS NOTED WITH "()" ARE FOR CUSTOMER DESIGN INFORMATION ONLY
- CROWN RACE Ø'S MEASURED AS AVERAGE OF 3 DIAMETRIC POINTS MINIMUM
- HEADSET CUP ID MUST BE GREATER THAN STEER TUBE OD + 0.3MM
- 110 X 20MM THUR AXLE HUB ONLY WITH Ø25MM MAX OUTER SHOULDER AND Ø20.05 MIN INNER DIAMETER BORE
- IMPORTANT: CUSTOMER IS RESPONSIBLE FOR ENSURING MINIMUM TIRE CLEARANCE. DO NOT EXCEED MAXIMUM TIRE ENVELOPE INDICATED ON THIS DRAWING.
- IMPORTANT: CUSTOMER IS RESPONSIBLE FOR ENSURING THAT ROCKSHOX MAXLE SYSTEM IS USED PER SRAM'S OPERATING INSTRUCTIONS (SEE USER MANUAL)
- POST TYPE BRAKE CALIPER MOUNT DIRECT FOR 160MM ROTOR DIA. MAX ROTOR DIA = 215MM.
- FORK / FRAME CLEARANCE (WORST CASE)
- 3D FILES: US-4012-208-000.IGS, US-4012-208-000.STP AVAILABLE UPON REQUEST FOR EXACT FORK ENVELOPE

SRAM Corporation Global Headquarters 1333 North Kingsbury Chicago, IL 60622 USA 312-664-8800 REV B	GEOMETRIC DIMENSIONING AND TOLERANCING TO BE INTERPRETED PER ANSI Y14.5M 1994 *INDICATES THE DIMENSION IS CRITICAL TO THE FORM, FIT OR FUNCTION OF THE PART OR PRODUCT.	ALL DIMENSIONS ARE mm THIRD ANGLE PROJECTION	UNTOLERANCED LENGTH DIMENSIONS (mm) LENGTH DIMENSIONS TOLERANCE FROM 0 TO 30 0.1 FROM 30 TO 48 0.15 FROM 48 TO 65 0.2 FROM 65 TO 120 0.3 FROM 120 TO 150 0.5 FROM 150 TO 300 1.0 OVER 300 1.5	DO NOT SCALE DRAWING DRAWN BY D GILBERT APPROVAL C DEWITT	MATERIAL TITLE ROCKSHOX USER SPECIFICATION, LYRK SCALE DATE 10JAN06 DRAWING NUMBER US-4012-208-000 REV C
			CONFIDENTIAL - THIS DRAWING CONTAINS INFORMATION THAT IS PROPRIETARY TO SRAM CORPORATION AND MAY NOT BE DISCLOSED WITHOUT PERMISSION		