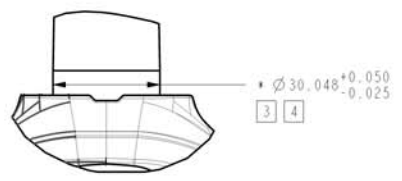
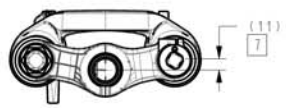
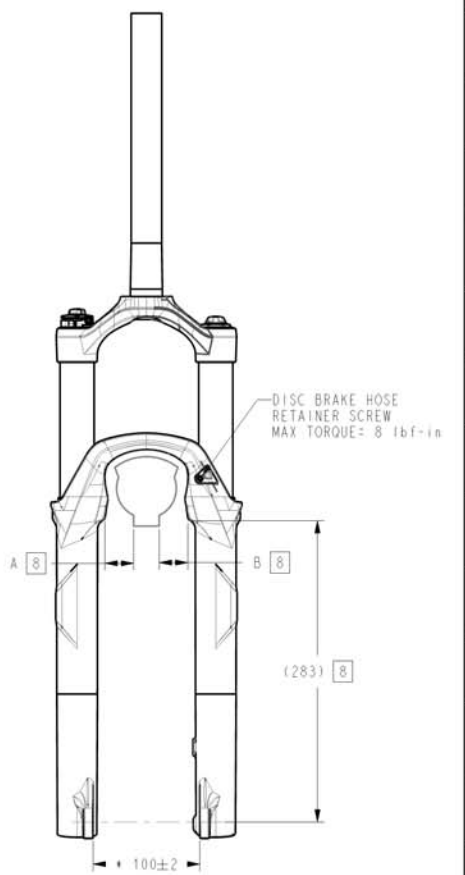
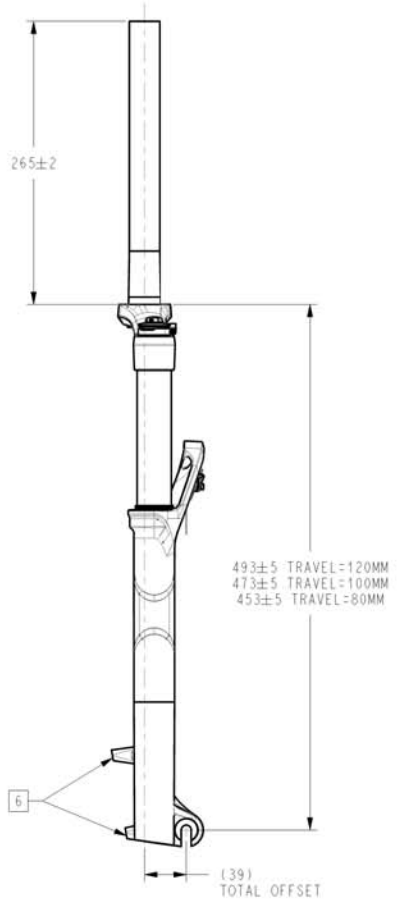
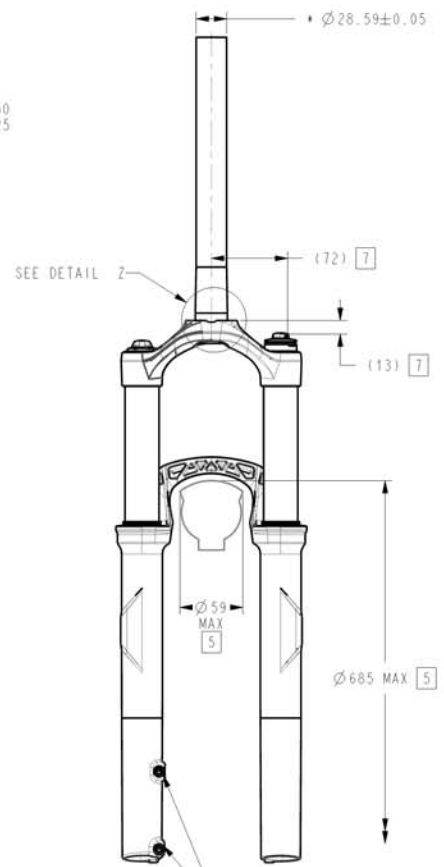


REV	REVISION RECORD
A	RELEASE



DETAIL Z  
SCALE 1:1



NOTES (UNLESS OTHERWISE SPECIFIED):

- SRAM RESERVES THE RIGHT TO CHANGE SPECIFICATIONS WITHOUT PRIOR NOTICE. USE LATEST REVISION.
- REFERENCE DIMENSIONS NOTED WITH "(1)" ARE FOR CUSTOMER DESIGN INFORMATION ONLY.
- CROWN RACE  $\varnothing$ 'S MEASURED AS AVERAGE OF 3 DIAMETRIC POINTS MINIMUM.
- HEADSET CUP ID MUST BE GREATER THAN STEER TUBE OD +0.3MM MIN
- IMPORTANT: CUSTOMER IS RESPONSIBLE FOR ENSURING MINIMUM TIRE CLEARANCE. DO NOT EXCEED MAXIMUM TIRE ENVELOPE INDICATED ON THIS DRAWING.
- POST TYPE BRAKE CALIPER MOUNT, DIRECT FOR 160MM ROTOR DIA. MAX ROTOR DIA = 215MM.
- ESTIMATED WORST CASE FRAME CLEARANCE  
NOTE THAT POINT IS DEFINED IN 3 DIMENSIONS
- WHEEL CENTER TOLERANCE: |A-B| < 2MM  
DISHED WHEEL OR GAGE MUST BE CLAMPED IN DROPOUTS
- 3D REPRESENTATION FILES (.IGS AND .STP) AVAILABLE UPON REQUEST.

M6X1-6H  $\nabla$ 14 MIN  
BRAKE CALIPER BOLT RECOMMENDED  
FULL THREAD ENGAGEMENT = 9-12mm  
MAX TORQUE = 90 lbf-in (10.2 N-m)

DESIGNED BY: J. STARKEY  
FORMAT: A2 SCALE: 1:5 SHEET: 1 / 1

THIRD ANGLE PROJECTION	GEOMETRIC DIMENSIONING AND TOLERANCING TO BE INTERPRETED PER ANSI Y14.5M 1994
DATE: NA	INDICATES THE DIMENSION IS CRITICAL TO THE FORM, FIT OR FUNCTION OF THE PART OR PRODUCT
MATERIAL: NA	UNTOPOLOGICAL LENGTH DIMENSIONS: LENGTH DIMENSIONS: 1 TO 254mm: 0.5mm (0.010") 255 TO 1000mm: 1mm (0.039") 1000 TO 1600mm: 1.5mm (0.059") 1600 TO 2000mm: 2mm (0.079") UNTOPOLOGICAL ANGLE DIMENSIONS: 0.5°

LIFECYCLE STATUS	Released
DRAWING NUMBER	98-4015-024-100
VERSION	A.3

SRAM  
CONFIDENTIAL - THIS DRAWING CONTAINS INFORMATION THAT IS PROPRIETARY TO SRAM CORPORATION AND MAY NOT BE DISCLOSED WITHOUT PERMISSION.  
USER SPECIFICATION, RBA, DR. 1 1/8