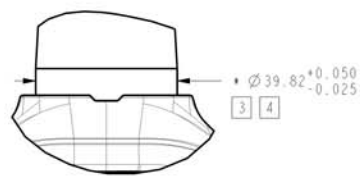
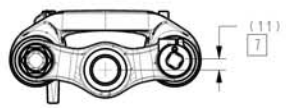
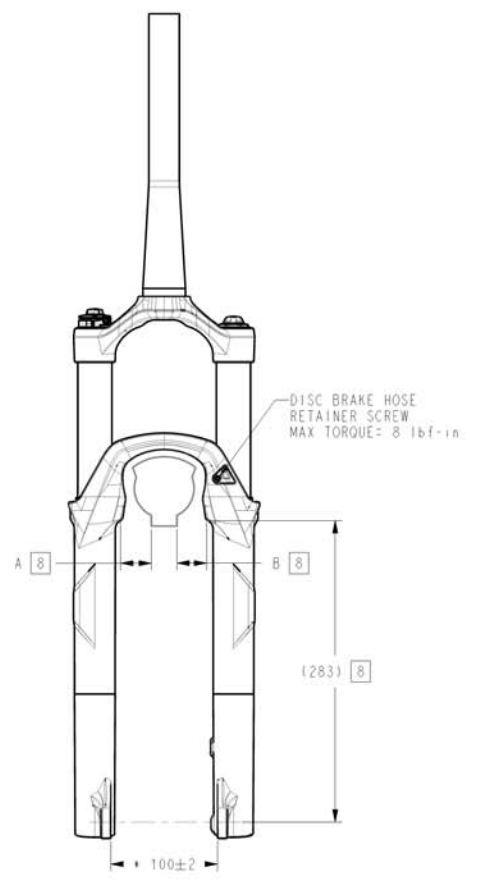
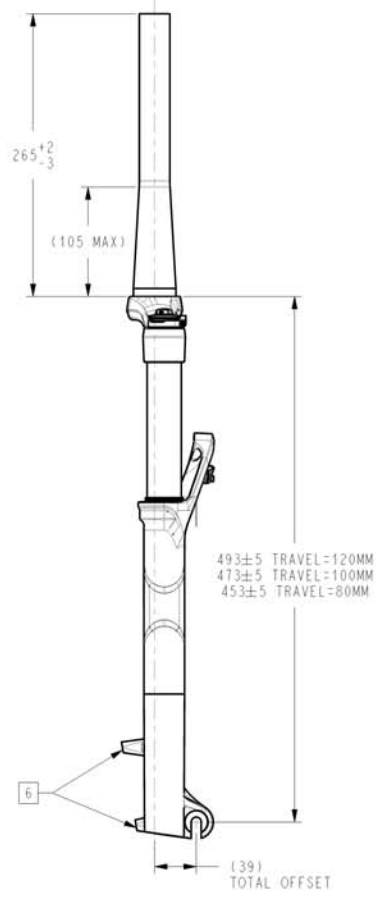
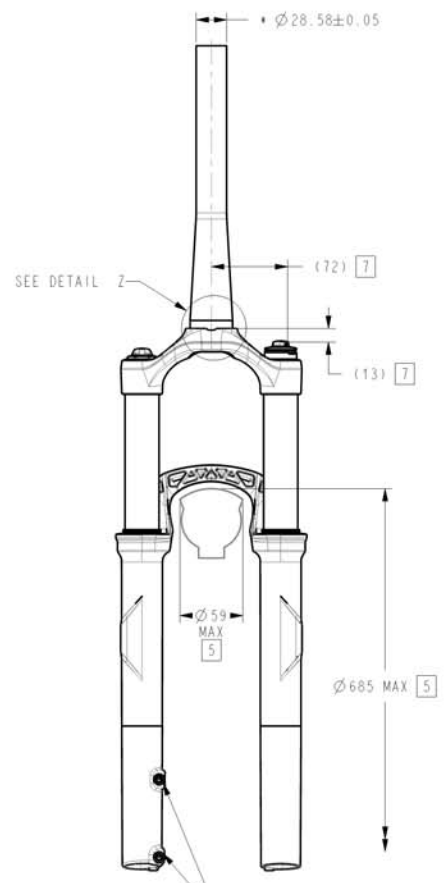


REV	REVISION RECORD
A	RELEASE



DETAIL Z
SCALE 1:1



NOTES (UNLESS OTHERWISE SPECIFIED):

- SRAM RESERVES THE RIGHT TO CHANGE SPECIFICATIONS WITHOUT PRIOR NOTICE. USE LATEST REVISION.
- REFERENCE DIMENSIONS NOTED WITH "(1)" ARE FOR CUSTOMER DESIGN INFORMATION ONLY.
- CROWN RACE \varnothing 'S MEASURED AS AVERAGE OF 3 DIAMETRIC POINTS MINIMUM.
- HEADSET CUP ID MUST BE GREATER THAN STEER TUBE OD +0.3MM MIN
- IMPORTANT: CUSTOMER IS RESPONSIBLE FOR ENSURING MINIMUM TIRE CLEARANCE. DO NOT EXCEED MAXIMUM TIRE ENVELOPE INDICATED ON THIS DRAWING.
- POST TYPE BRAKE CALIPER MOUNT, DIRECT FOR 160MM ROTOR DIA. MAX ROTOR DIA = 215MM.
- ESTIMATED WORST CASE FRAME CLEARANCE
NOTE THAT POINT IS DEFINED IN 3 DIMENSIONS
- WHEEL CENTER TOLERANCE: [A-B] <2MM
DISHED WHEEL OR GAGE MUST BE CLAMPED IN DROPOUTS
- 3D REPRESENTATION FILES (.IGS AND .STP) AVAILABLE UPON REQUEST.

M6X1-6H ∇ 14 MIN
BRAKE CALIPER BOLT RECOMMENDED
FULL THREAD ENGAGEMENT = 9-12mm
MAX TORQUE = 90 lbf-in (10.2 N-m)

DESIGNED BY: J. STARKEY
FORMAT: A2 SCALE: 1:5 SHEET: 1 / 1

ALL DIMENSIONS ARE IN mm
THIRD ANGLE PROJECTION
MATERIAL: NA

GEOMETRIC DIMENSIONING AND TOLERANCING TO BE INTERPRETED PER ANSI Y14.5M 1994
INDICATES THE DIMENSION IS CRITICAL TO THE FORM, FIT OR FUNCTION OF THE PART OR PRODUCT
UNTOLEERANCED LENGTH DIMENSIONS
LENGTH DIMENSIONS - TOLERANCE L
From 0.5 to 30 0.3
Over 30 to 100 0.5
Over 100 to 300 0.7
Over 300 to 1000 1.0
UNTOLEERANCED ANGLE DIMENSIONS

LIFECYCLE STATUS: Released
DRAWING NAME: USER SPECIFICATION, RBA, DR. T
DRAWING NUMBER: 98-4015-024-200
VERSION: A.2

CONFIDENTIAL - THIS DRAWING CONTAINS INFORMATION THAT IS PROPRIETARY TO SRAM CORPORATION AND MAY NOT BE DISCLOSED WITHOUT PERMISSION.