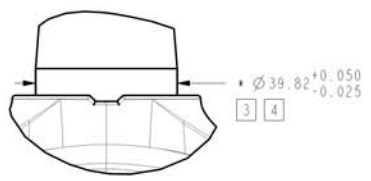
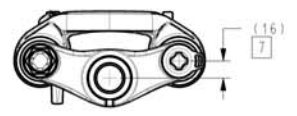
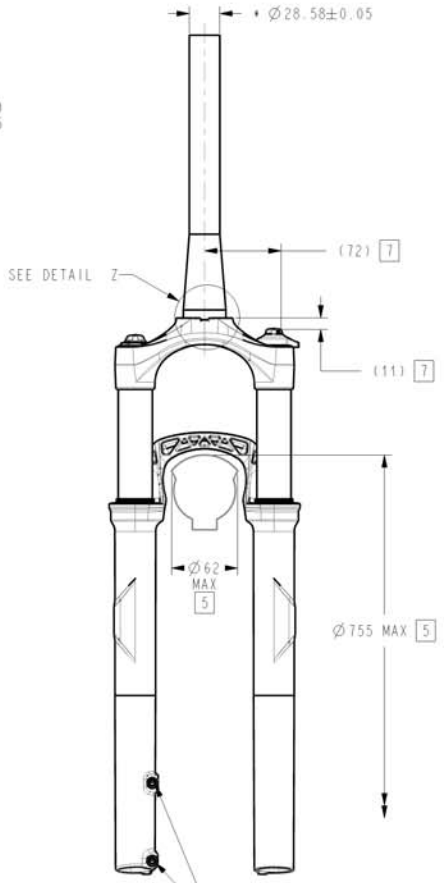


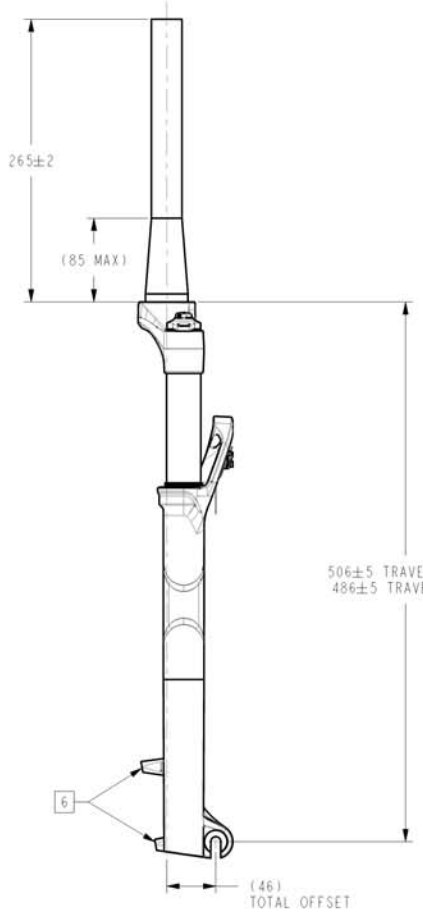
REV	REVISION RECORD	
A	RELEASE	



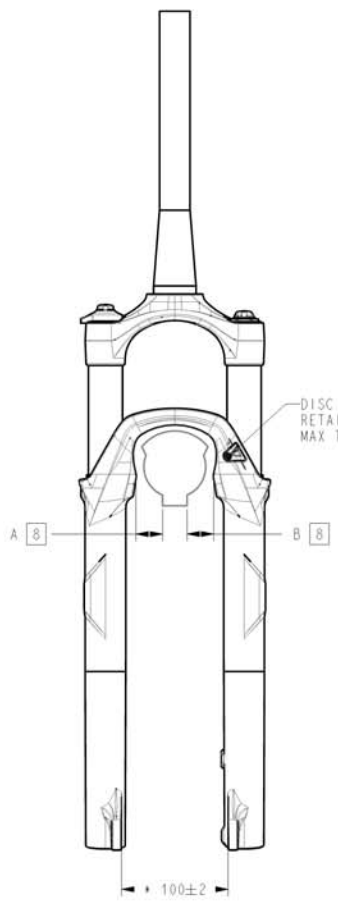
DETAIL Z
SCALE 1:1



SEE DETAIL Z



506±5 TRAVEL=100MM
486±5 TRAVEL=80MM



DISC BRAKE HOSE
RETAINER SCREW
MAX TORQUE= 8 lbf-in

NOTES (UNLESS OTHERWISE SPECIFIED):

- SRAM RESERVES THE RIGHT TO CHANGE SPECIFICATIONS WITHOUT PRIOR NOTICE. USE LATEST REVISION.
- REFERENCE DIMENSIONS NOTED WITH "()" ARE FOR CUSTOMER DESIGN INFORMATION ONLY.
- CROWN RACE \varnothing 'S MEASURED AS AVERAGE OF 3 DIAMETRIC POINTS MINIMUM.
- HEADSET CUP ID MUST BE GREATER THAN STEER TUBE OD +0.3MM MIN
- IMPORTANT: CUSTOMER IS RESPONSIBLE FOR ENSURING MINIMUM TIRE CLEARANCE. DO NOT EXCEED MAXIMUM TIRE ENVELOPE INDICATED ON THIS DRAWING.
- POST TYPE BRAKE CALIPER MOUNT, DIRECT FOR 160MM ROTOR DIA, MAX ROTOR DIA = 215MM.
- ESTIMATED WORST CASE FRAME CLEARANCE
NOTE THAT POINT IS DEFINED IN 3 DIMENSIONS
- WHEEL CENTER TOLERANCE: |A-B| < 2MM
DISHED WHEEL OR GAGE MUST BE CLAMPED IN DROPOUTS.
- 3D REPRESENTATION FILES (.IGS AND .STP) AVAILABLE UPON REQUEST.

M6X1-6H ∇ 14 MIN
BRAKE CALIPER BOLT RECOMMENDED
FULL THREAD ENGAGEMENT = 9-12mm
MAX TORQUE = 90 lbf-in (10.2 N-m)

DESIGNED BY: J. BALTES		FORMAT: A2	SCALE: 1:5	SHEET: 1 / 1
LIFECYCLE STATUS		Under Review		
DRAWING NAME - DESCRIPTION		USER SPECIFICATION, REBA, Q29, TAPR		
DRAWING NUMBER		98-4015-026-200		VERSION
				A.1

ALL DIMENSIONS ARE IN mm
THIRD ANGLE PROJECTION
MATERIAL: NA

GEOMETRIC DIMENSIONING AND TOLERANCING TO BE INTERPRETED PER ANSI Y14.5M 1994
INDICATES THE DIMENSION IS CRITICAL TO THE FORM, FIT OR FUNCTION OF THE PART OR PRODUCT
UNTOLERANCED LENGTH DIMENSIONS
LENGTH DIMENSIONS - TOLERANCE
From: 0.5 to 30: ± 0.1
Over: 30 to 100: ± 0.15
Over: 100 to 300: ± 0.2
Over: 300 to 1000: ± 0.3
UNTOLERANCED ANGLE DIMENSIONS

CONFIDENTIAL - THIS DRAWING CONTAINS INFORMATION THAT IS PROPRIETARY TO SRAM CORPORATION AND MAY NOT BE DISCLOSED WITHOUT PERMISSION.