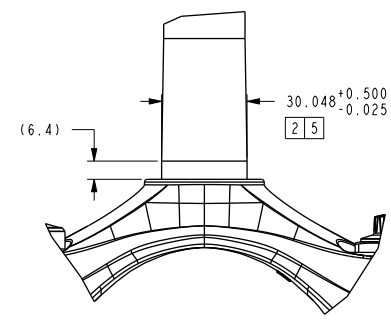


REV	REVISION RECORD
A	ECN 3004245 RELEASE

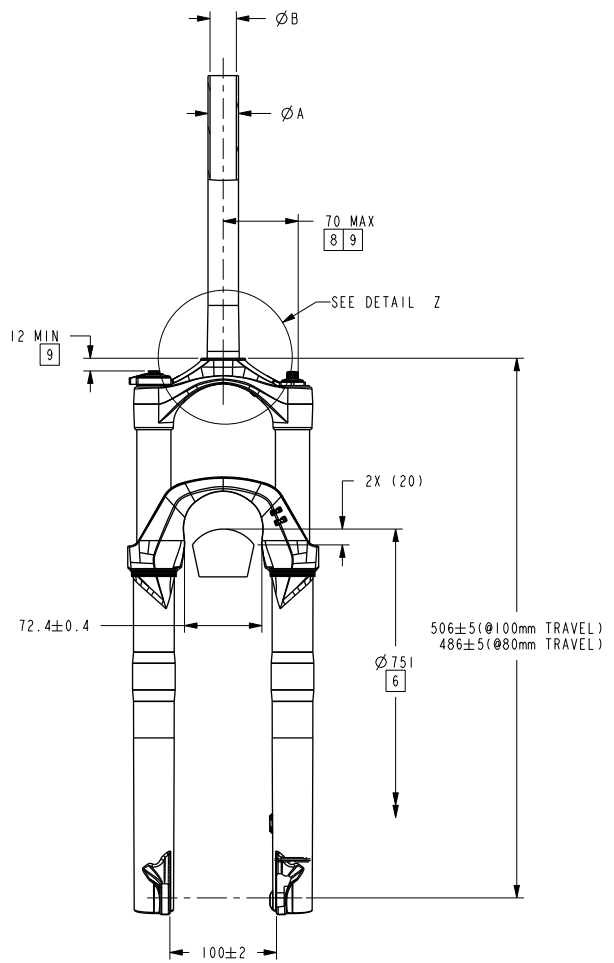
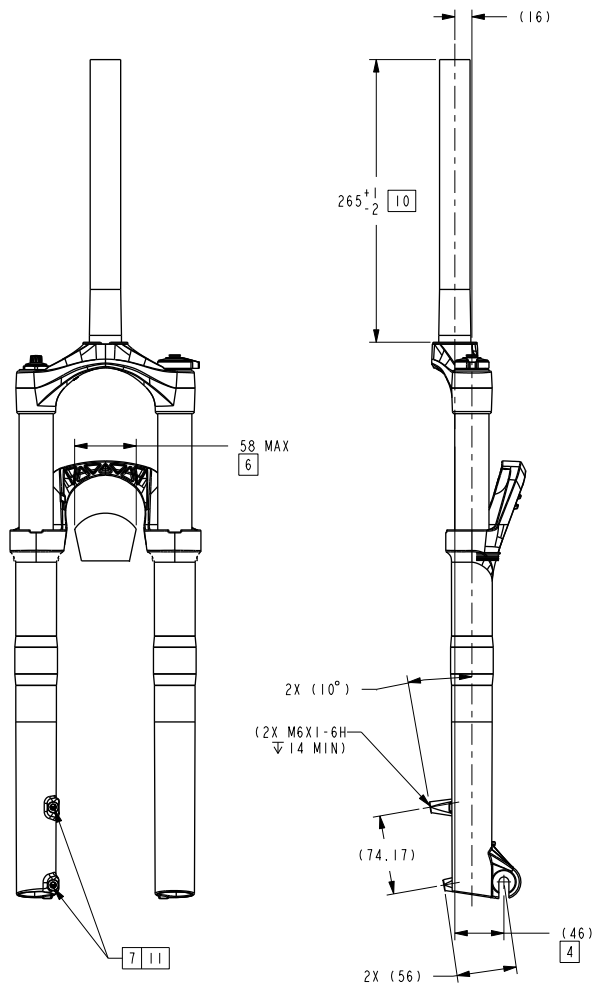


DETAIL Z
SCALE 4:5

-STEER TUBE DETAILS-		
STEER TUBE TYPE	ØA mm	ØB mm
ALUMINUM, THREADLESS	28.58±0.06	24.64±0.13
STEEL, THREADLESS	28.6±0.07	25.4±0.15

NOTES: UNLESS OTHERWISE SPECIFIED

- DRAWING NOT TO SCALE, GENERAL SHAPE FOR DIMENSIONAL REFERENCE ONLY. SRAM RESERVES THE RIGHT TO CHANGE SPECIFICATIONS WITHOUT PRIOR NOTICE.
- CROWN RACE TO BE MEASURED AS AVERAGE Ø; 3 DIAMETRIC POINTS MIN.
- REFERENCE DIMENSIONS, NOTED WITH PARENTHESIS "() " ARE FOR CUSTOMER DESIGN INFORMATION ONLY.
- DIMENSION IS PERPENDICULAR OFFSET FROM STEERER TUBE AXIS TO DROP OUT CENTER (FORK OFFSET DIMENSION).
- HEADSET CUP INSIDE DIAMETER MUST NOT BE LESS THAN STEERER TUBE DIAMETER + 0.3MM.
- IMPORTANT: CUSTOMER IS RESPONSIBLE FOR ENSURING MINIMUM REQUIRED TIRE CLEARANCE PER ASTM F 08.10-02S, SEE SECTION 6.1.1.2. (17JAN03 DRAFT)
- POST TYPE BRAKE CALIPER MOUNT, DIRECT FOR 160MM ROTOR DIA. MAX ROTOR DIA = 215MM.
- 3D FILES: US-4015-028-000 .IGS AND US-4015-028-000 .STP AVAILABLE UPON REQUEST FOR EXACT FORK ENVELOPE.
- FORK / FRAME CLEARANCE (WORST CASE).
- 320±5 mm STEER TUBE OPTION AVAILABLE PER REQUEST.
- MAXIMUM RECOMMENDED BRAKE CALIPER BOLT TORQUE=10.2N·M (90IN·LB).



ALL DIMENSIONS ARE mm	GEOMETRIC DIMENSIONING AND TOLERANCING TO BE INTERPRETED PER ANSI Y14.5M 1994
THIRD ANGLE PROJECTION	* INDICATES THE DIMENSION IS CRITICAL TO THE FORM, FIT OR FUNCTION OF THE PART OR PRODUCT
UNTOLERANCED LENGTH DIMENSIONS (mm)	LENGTH DIMENSIONS - TOLERANCE
	From 0 up to 30 ±0.2
	From 30 up to 100 ±0.3
	From 100 up to 150 ±0.5
	From 150 up to 300 ±0.75
	From 300 up to 600 ±1.0
	From 600 up to 1200 ±1.5
	From 1200 up to 2400 ±2.0
	From 2400 up to 6000 ±3.0
	From 6000 up to 12000 ±4.0
	From 12000 up to 24000 ±5.0
	From 24000 up to 60000 ±6.0
	From 60000 up to 120000 ±7.0
	From 120000 up to 240000 ±8.0
	From 240000 up to 600000 ±9.0
	From 600000 up to 1200000 ±10.0
	From 1200000 up to 2400000 ±11.0
	From 2400000 up to 6000000 ±12.0
	From 6000000 up to 12000000 ±13.0
	From 12000000 up to 24000000 ±14.0
	From 24000000 up to 60000000 ±15.0
	From 60000000 up to 120000000 ±16.0
	From 120000000 up to 240000000 ±17.0
	From 240000000 up to 600000000 ±18.0
	From 600000000 up to 1200000000 ±19.0
	From 1200000000 up to 2400000000 ±20.0
	From 2400000000 up to 6000000000 ±21.0
	From 6000000000 up to 12000000000 ±22.0
	From 12000000000 up to 24000000000 ±23.0
	From 24000000000 up to 60000000000 ±24.0
	From 60000000000 up to 120000000000 ±25.0
	From 120000000000 up to 240000000000 ±26.0
	From 240000000000 up to 600000000000 ±27.0
	From 600000000000 up to 1200000000000 ±28.0
	From 1200000000000 up to 2400000000000 ±29.0
	From 2400000000000 up to 6000000000000 ±30.0
	From 6000000000000 up to 12000000000000 ±31.0
	From 12000000000000 up to 24000000000000 ±32.0
	From 24000000000000 up to 60000000000000 ±33.0
	From 60000000000000 up to 120000000000000 ±34.0
	From 120000000000000 up to 240000000000000 ±35.0
	From 240000000000000 up to 600000000000000 ±36.0
	From 600000000000000 up to 1200000000000000 ±37.0
	From 1200000000000000 up to 2400000000000000 ±38.0
	From 2400000000000000 up to 6000000000000000 ±39.0
	From 6000000000000000 up to 12000000000000000 ±40.0
	From 12000000000000000 up to 24000000000000000 ±41.0
	From 24000000000000000 up to 60000000000000000 ±42.0
	From 60000000000000000 up to 120000000000000000 ±43.0
	From 120000000000000000 up to 240000000000000000 ±44.0
	From 240000000000000000 up to 600000000000000000 ±45.0
	From 600000000000000000 up to 1200000000000000000 ±46.0
	From 1200000000000000000 up to 2400000000000000000 ±47.0
	From 2400000000000000000 up to 6000000000000000000 ±48.0
	From 6000000000000000000 up to 12000000000000000000 ±49.0
	From 12000000000000000000 up to 24000000000000000000 ±50.0
	From 24000000000000000000 up to 60000000000000000000 ±51.0
	From 60000000000000000000 up to 120000000000000000000 ±52.0
	From 120000000000000000000 up to 240000000000000000000 ±53.0
	From 240000000000000000000 up to 600000000000000000000 ±54.0
	From 600000000000000000000 up to 1200000000000000000000 ±55.0
	From 1200000000000000000000 up to 2400000000000000000000 ±56.0
	From 2400000000000000000000 up to 6000000000000000000000 ±57.0
	From 6000000000000000000000 up to 12000000000000000000000 ±58.0
	From 12000000000000000000000 up to 24000000000000000000000 ±59.0
	From 24000000000000000000000 up to 60000000000000000000000 ±60.0
	From 60000000000000000000000 up to 120000000000000000000000 ±61.0
	From 120000000000000000000000 up to 240000000000000000000000 ±62.0
	From 240000000000000000000000 up to 600000000000000000000000 ±63.0
	From 600000000000000000000000 up to 1200000000000000000000000 ±64.0
	From 1200000000000000000000000 up to 2400000000000000000000000 ±65.0
	From 2400000000000000000000000 up to 6000000000000000000000000 ±66.0
	From 6000000000000000000000000 up to 12000000000000000000000000 ±67.0
	From 12000000000000000000000000 up to 24000000000000000000000000 ±68.0
	From 24000000000000000000000000 up to 60000000000000000000000000 ±69.0
	From 60000000000000000000000000 up to 120000000000000000000000000 ±70.0
	From 120000000000000000000000000 up to 240000000000000000000000000 ±71.0
	From 240000000000000000000000000 up to 600000000000000000000000000 ±72.0
	From 600000000000000000000000000 up to 1200000000000000000000000000 ±73.0
	From 1200000000000000000000000000 up to 2400000000000000000000000000 ±74.0
	From 2400000000000000000000000000 up to 6000000000000000000000000000 ±75.0
	From 6000000000000000000000000000 up to 12000000000000000000000000000 ±76.0
	From 12000000000000000000000000000 up to 24000000000000000000000000000 ±77.0
	From 24000000000000000000000000000 up to 60000000000000000000000000000 ±78.0
	From 60000000000000000000000000000 up to 120000000000000000000000000000 ±79.0
	From 120000000000000000000000000000 up to 240000000000000000000000000000 ±80.0
	From 240000000000000000000000000000 up to 600000000000000000000000000000 ±81.0
	From 600000000000000000000000000000 up to 1200000000000000000000000000000 ±82.0
	From 1200000000000000000000000000000 up to 2400000000000000000000000000000 ±83.0
	From 2400000000000000000000000000000 up to 6000000000000000000000000000000 ±84.0
	From 6000000000000000000000000000000 up to 12000000000000000000000000000000 ±85.0
	From 12000000000000000000000000000000 up to 24000000000000000000000000000000 ±86.0
	From 24000000000000000000000000000000 up to 60000000000000000000000000000000 ±87.0
	From 60000000000000000000000000000000 up to 120000000000000000000000000000000 ±88.0
	From 120000000000000000000000000000000 up to 240000000000000000000000000000000 ±89.0
	From 240000000000000000000000000000000 up to 600000000000000000000000000000000 ±90.0
	From 600000000000000000000000000000000 up to 1200000000000000000000000000000000 ±91.0
	From 1200000000000000000000000000000000 up to 2400000000000000000000000000000000 ±92.0
	From 2400000000000000000000000000000000 up to 6000000000000000000000000000000000 ±93.0
	From 6000000000000000000000000000000000 up to 12000000000000000000000000000000000 ±94.0
	From 12000000000000000000000000000000000 up to 24000000000000000000000000000000000 ±95.0
	From 24000000000000000000000000000000000 up to 60000000000000000000000000000000000 ±96.0
	From 60000000000000000000000000000000000 up to 120000000000000000000000000000000000 ±97.0
	From 120000000000000000000000000000000000 up to 240000000000000000000000000000000000 ±98.0
	From 240000000000000000000000000000000000 up to 600000000000000000000000000000000000 ±99.0
	From 600000000000000000000000000000000000 up to 1200000000000000000000000000000000000 ±100.0

DESIGNED BY: NJ CHEN	FORMAT: A2	SCALE: 1:5	SHEET: 1 / 1
LIFECYCLE STATUS	Released	 CONFIDENTIAL - THIS DRAWING CONTAINS INFORMATION THAT IS PROPRIETARY TO SRAM CORPORATION AND MAY NOT BE DISCLOSED WITHOUT PERMISSION.	
DRAWING MARK / DESCRIPTION	ROCKSHOX USER SPEC., MY10 TORA 46 QR29		
DRAWING NUMBER	US-4015-028-000	VERSION	A.6