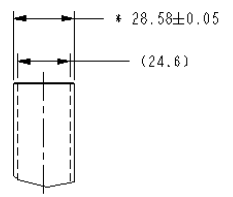
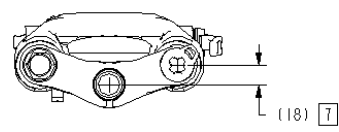
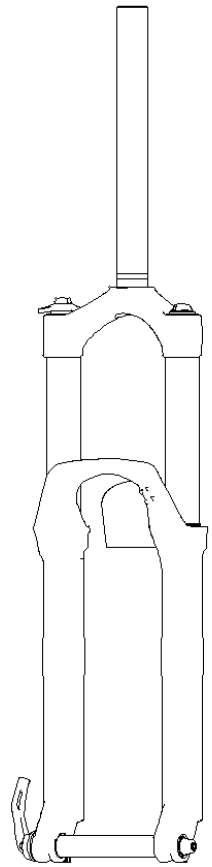
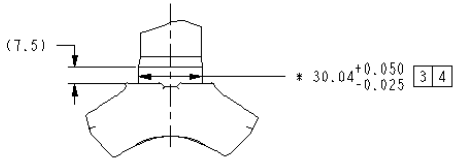


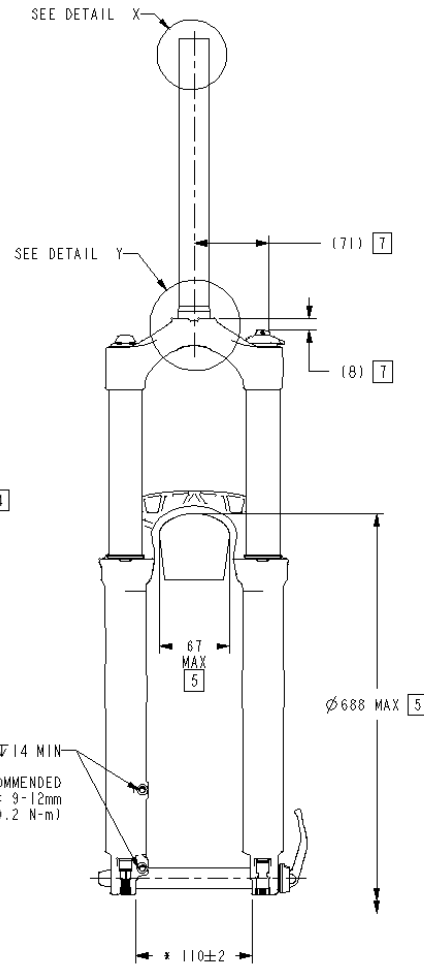
REV	REVISION RECORD
A	ECN 3002800 RELEASE
B	ECN 3003203 CHANGE: NOTE BRAKE CALIPER BOLT RECOMMENDED... (H6) WAS BRAKE CALIPER BOLT MAX TORQUE...
C	ECN 3003382 CHANGE: Ø 688 MAX WAS Ø 691 MAX (G9) , (7.5) WAS (6.5)(F3), (24.6) WAS 124.4(1B5), 265+1/-2 WAS 262+1/-2(C10)



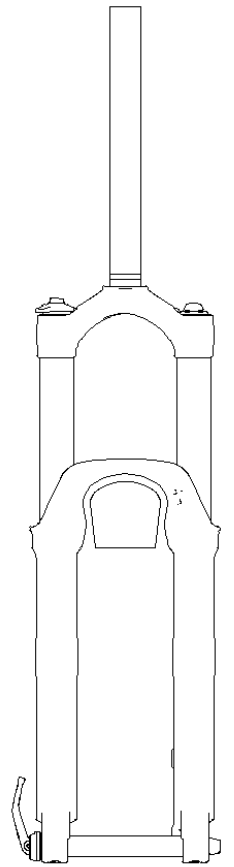
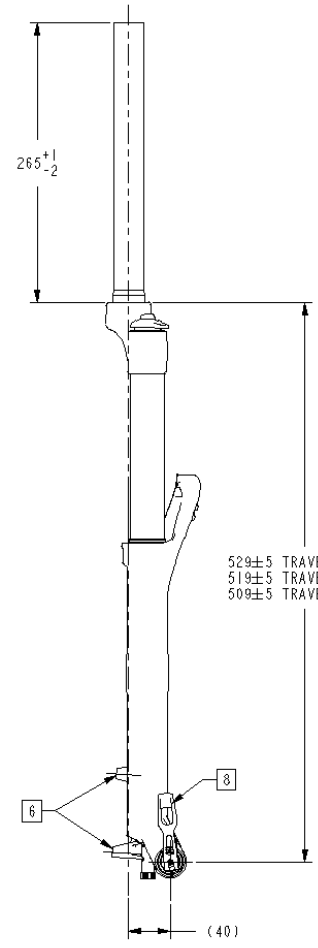
DETAIL X
SCALE 3:5



DETAIL Y
SCALE 3:5



BRAKE CALIPER BOLT RECOMMENDED
FULL THREAD ENGAGEMENT = 9-12mm
MAX TORQUE = 90 in-lbf (10.2 N-m)



NOTES (UNLESS OTHERWISE SPECIFIED):

- SRAM RESERVES THE RIGHT TO CHANGE SPECIFICATIONS WITHOUT PRIOR NOTICE.
- REFERENCE DIMENSIONS NOTED WITH "()" ARE FOR CUSTOMER DESIGN INFORMATION ONLY.
- CROWN RACE Ø'S MEASURED AS AVERAGE OF 3 DIAMETRIC POINTS MINIMUM.
- HEADSET CUP ID MUST BE GREATER THAN STEER TUBE OD +0.3MM.
- IMPORTANT: CUSTOMER IS RESPONSIBLE FOR ENSURING MINIMUM TIRE CLEARANCE. DO NOT EXCEED MAXIMUM TIRE ENVELOPE INDICATED ON THIS DRAWING.
- POST TYPE BRAKE CALIPER MOUNT, DIRECT FOR 160MM ROTOR DIA. MAX ROTOR DIA = 215MM.
- FORK / FRAME CLEARANCE (WORST CASE)
- IMPORTANT: CUSTOMER IS RESPONSIBLE FOR ENSURING THAT ROCKSHOX MAXLE SYSTEM IS USED PER SRAM'S OPERATING INSTRUCTIONS (SEE USER MANUAL)
- 3D REPRESENTATION FILES (.IGS AND .STP) AVAILABLE UPON REQUEST.

DESIGNED BY: J. BALTES		FORMAT: A2	SCALE: 2:25	SHEET: 1 / 1
LIFECYCLE STATUS		Under Review		
USER SPECIFICATION, RVLN T, 11/8		DRAWING NUMBER: US-4015-023-100		
VERSION		C.3		

ALL DIMENSIONS ARE IN mm

GEOMETRIC DIMENSIONS AND TOLERANCES TO BE INTERPRETED PER ANSI Y14.5M 1994

THIRD ANGLE PROJECTION

* INDICATES THE DIMENSION IS CRITICAL TO THE FORM, FIT OR FUNCTION OF THE PART OR PRODUCT

UNLESS OTHERWISE SPECIFIED

TOLERANCE	LENGTH DIMENSIONS	DIAMETERS
FORM	0.5 to 10	± 0.04
POS	0 to 30	± 0.02
ANG	0 to 10	± 0.02
CON	0 to 10	± 0.02
UNFINISHED SURFACE DIMENSIONS	± 0.15	

CONFIDENTIAL - THIS DRAWING CONTAINS INFORMATION THAT IS PROPRIETARY TO SRAM CORPORATION AND MAY NOT BE DISCLOSED WITHOUT PERMISSION.