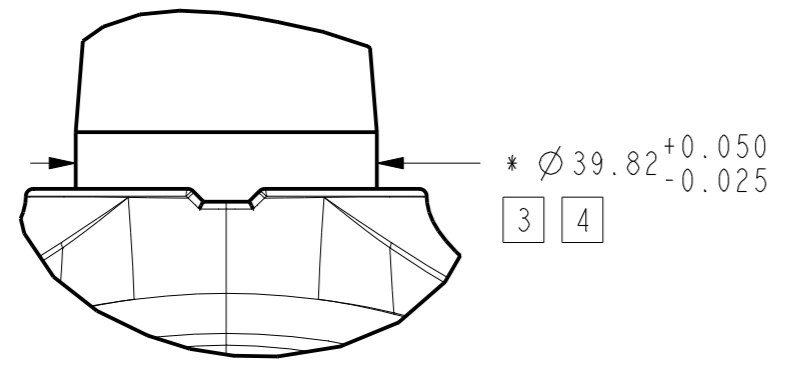
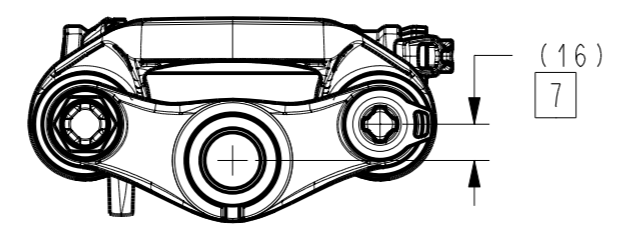
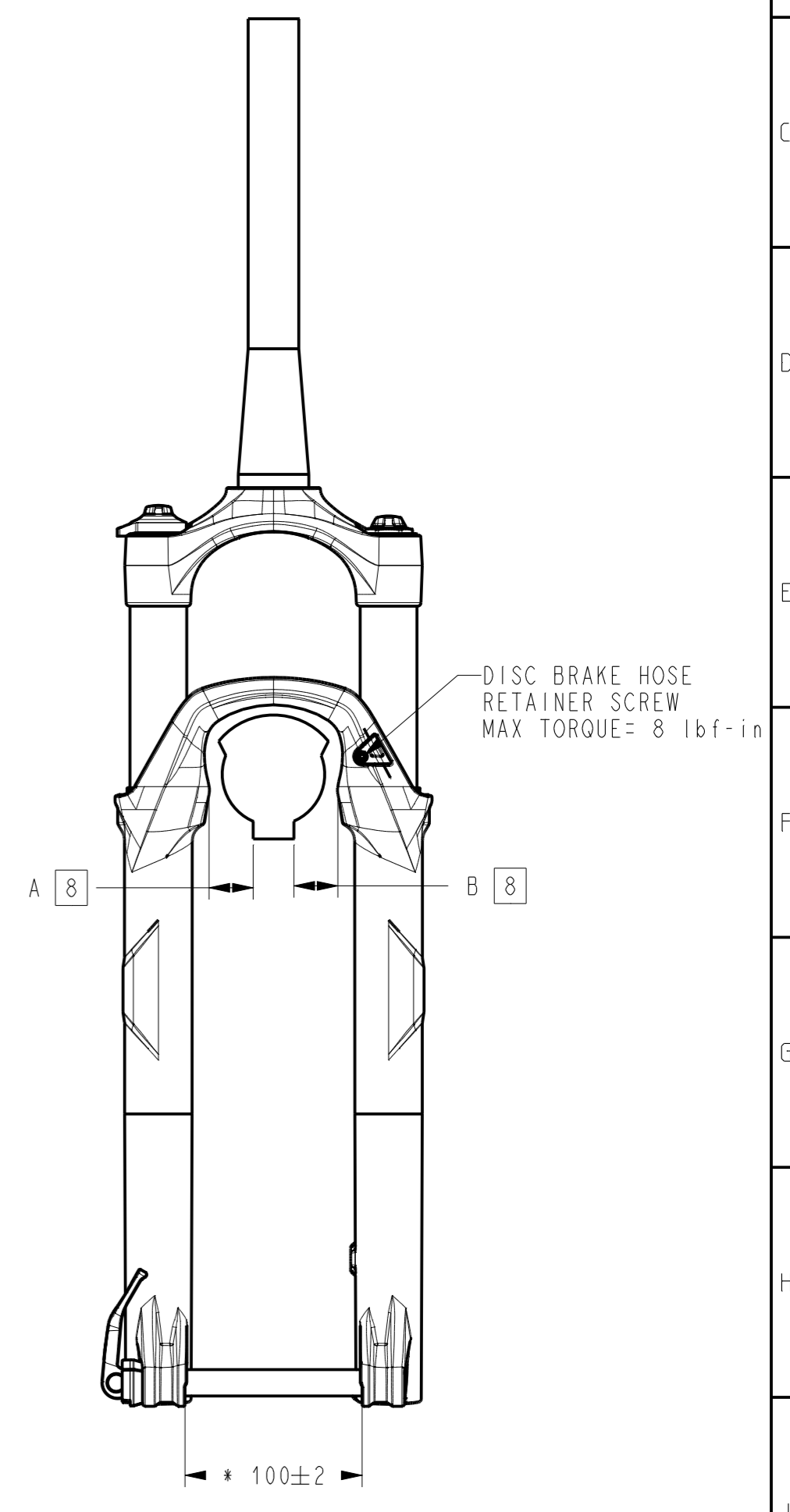
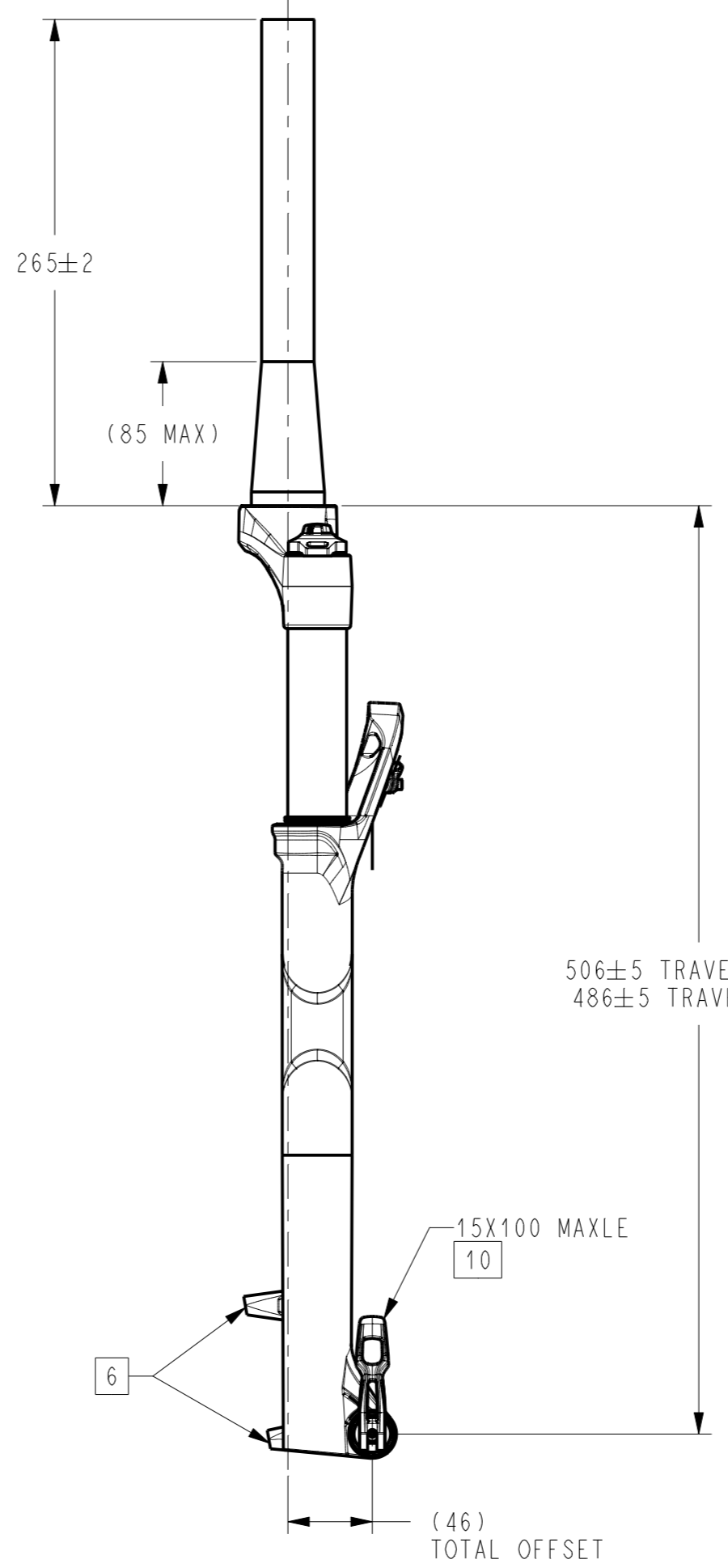
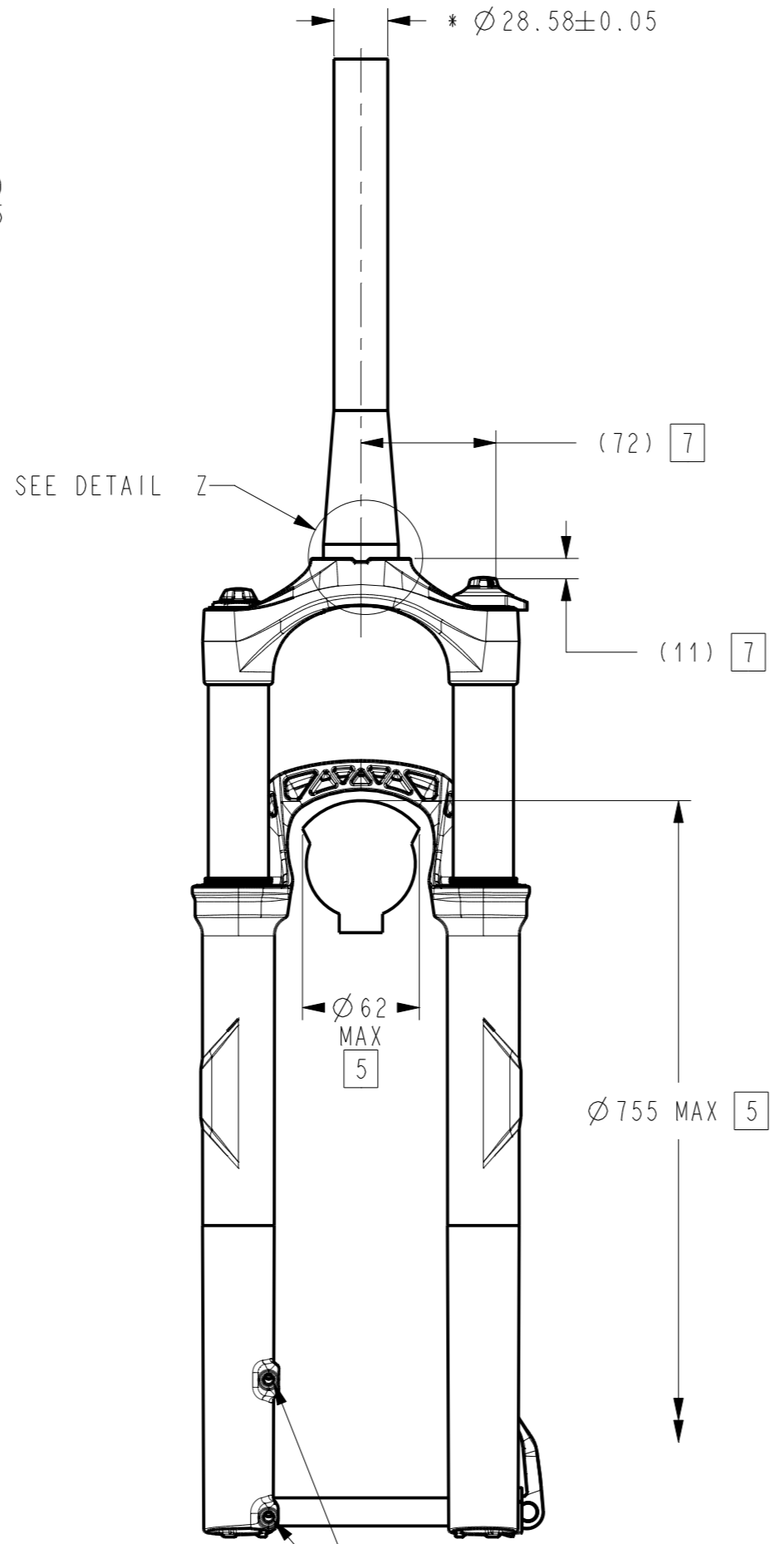


REVISION RECORD	
REV	
A	RELEASE



DETAIL Z
SCALE 1:1



NOTES (UNLESS OTHERWISE SPECIFIED):

- SRAM RESERVES THE RIGHT TO CHANGE SPECIFICATIONS WITHOUT PRIOR NOTICE. USE LATEST REVISION.
- REFERENCE DIMENSIONS NOTED WITH "()" ARE FOR CUSTOMER DESIGN INFORMATION ONLY.
- CROWN RACE Ø'S MEASURED AS AVERAGE OF 3 DIAMETRIC POINTS MINIMUM.
- HEADSET CUP ID MUST BE GREATER THAN STEER TUBE OD +0.3MM MIN
- IMPORTANT: CUSTOMER IS RESPONSIBLE FOR ENSURING MINIMUM TIRE CLEARANCE. DO NOT EXCEED MAXIMUM TIRE ENVELOPE INDICATED ON THIS DRAWING.
- POST TYPE BRAKE CALIPER MOUNT, DIRECT FOR 160MM ROTOR DIA. MAX ROTOR DIA = 215MM.
- ESTIMATED WORST CASE FRAME CLEARANCE NOTE THAT POINT IS DEFINED IN 3 DIMENSIONS
- WHEEL CENTER TOLERANCE; |A-B| < 2MM
- DISHED WHEEL OR GAGE MUST BE CLAMPED IN DROPOUTS
- 3D REPRESENTATION FILES (.IGS AND .STP) AVAILABLE UPON REQUEST.
- IMPORTANT CUSTOMER IS RESPONSIBLE FOR ENSURING THAT ROCKSHOX MAXLE SYSTEM IS USED PER SRAM'S OPERATING INSTRUCTIONS

M6X1-6H ∇ 14 MIN
BRAKE CALIPER BOLT RECOMMENDED
FULL THREAD ENGAGEMENT = 9-12mm
MAX TORQUE = 90 lbf-in (10.2 N-m)

ALL DIMENSIONS ARE mm	
THIRD ANGLE PROJECTION	
MASS (g)	NA
MATERIAL	NA

GEOMETRIC DIMENSIONING AND TOLERANCING TO BE INTERPRETED PER ANSI Y14.5M 1994.	
• INDICATES THE DIMENSION IS CRITICAL TO THE FORM, FIT OR FUNCTION OF THE PART OR PRODUCT	
UNTOLERANCED LENGTH DIMENSIONS (mm)	TOLERANCE
from 0.5 up to 6	± 0.1
over 6 up to 30	± 0.2
over 30 up to 120	± 0.3
over 120 up to 400	± 0.5
UNTOLERANCED ANGLE DIMENSIONS	± 5

DESIGNED BY: J. BALTES		
FORMAT: A2	SCALE: 1:5	SHEET: 1 / 1
LIFECYCLE STATUS		 CONFIDENTIAL - THIS DRAWING CONTAINS INFORMATION THAT IS PROPRIETARY TO SRAM CORPORATION AND MAY NOT BE DISCLOSED WITHOUT PERMISSION.
Released		
DRAWING NAME / DESCRIPTION		
USER SPECIFICATION, SID. 1529, TAPR		
DRAWING NUMBER		VERSION
98-4015-027-400		A.1