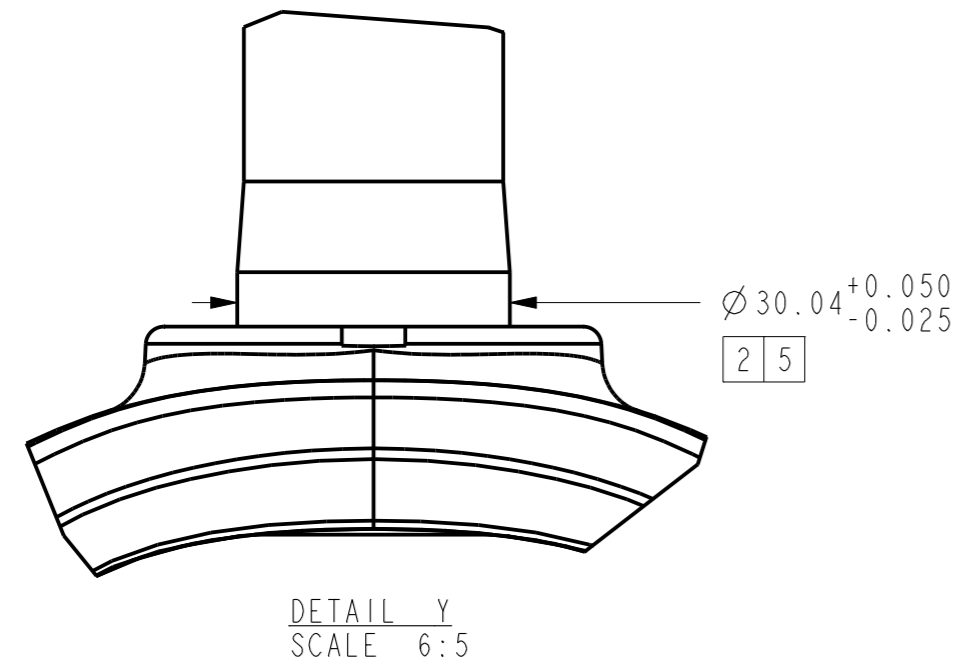
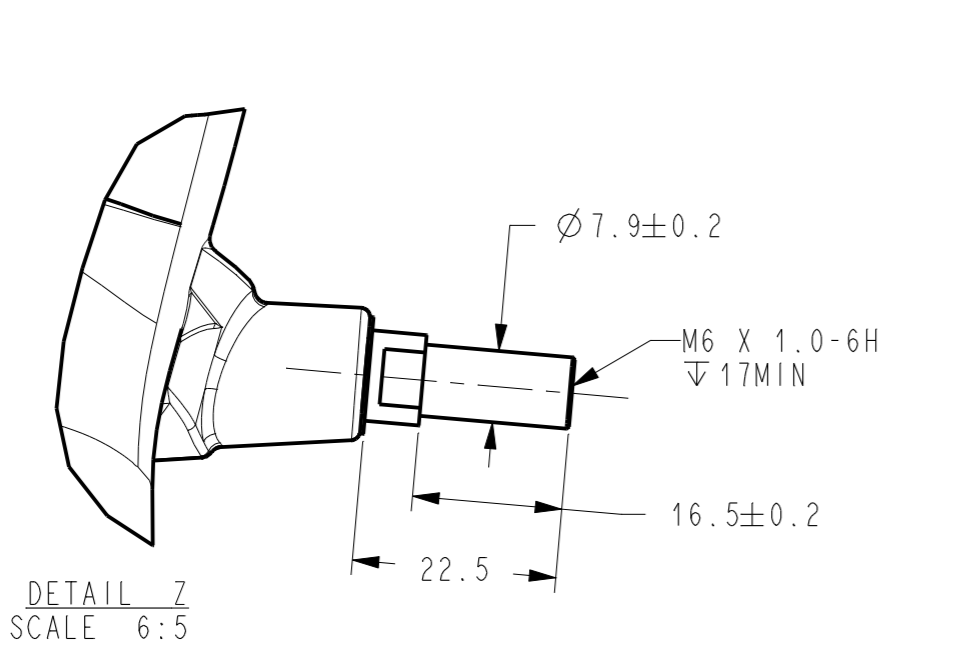


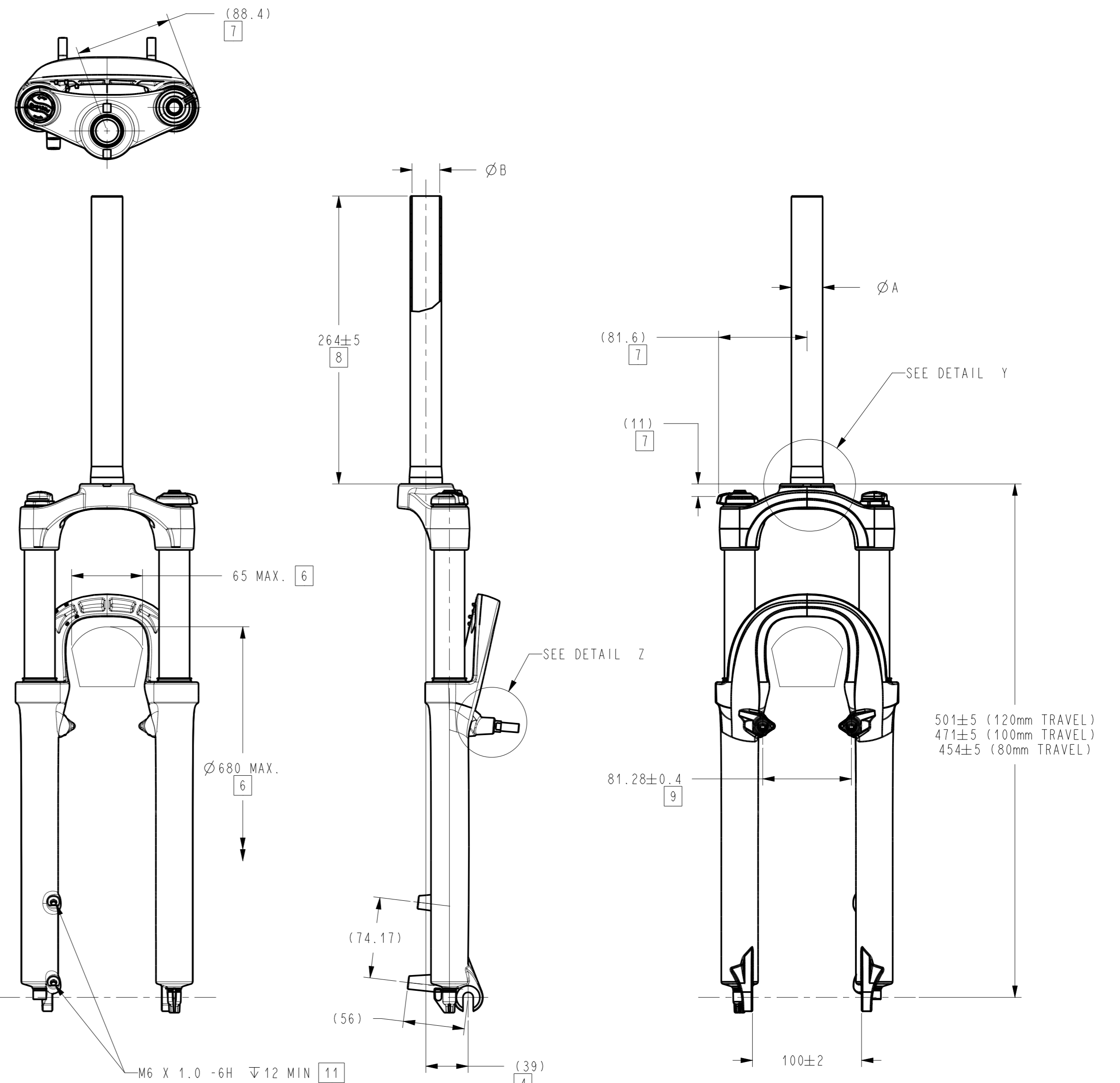
REV	REVISION RECORD
A	ECN 315564 RELEASE



- STEER TUBE DETAILS -

STEER TUBE TYPE	Ø A (mm)	Ø B (mm)
STEEL, 1.125 in	28.6 ± 0.07	25.4 ± 0.15
ALUMINUM, 1.125 in	28.6 ± 0.07	24.6 ± 0.15

- NOTES:
- DRAWING NOT TO SCALE. GENERAL SHAPE FOR DIMENSIONAL REFERENCE ONLY. SRAM RESERVES THE RIGHT TO CHANGE SPECIFICATIONS WITHOUT PRIOR NOTICE.
 - CROWN RACE TO BE MEASURED AS AVERAGE Ø: 3 DIAMETRIC POINTS MIN.
 - REFERENCE DIMENSIONS, NOTED WITH PARENTHESIS "()" ARE FOR CUSTOMER DESIGN INFORMATION ONLY.
 - DIMENSION IS PERPENDICULAR OFFSET FROM STEERER TUBE AXIS TO FORK DROP-OUT (FORK OFFSET DIMENSION).
 - HEADSET CUP INSIDE DIAMETER MUST NOT BE LESS THAN STEER TUBE DIAMETER +0.3mm.
 - IMPORTANT: CUSTOMER IS RESPONSIBLE FOR ENSURING MINIMUM REQUIRED TIRE CLEARANCE. DO NOT EXCEED MAXIMUM TIRE ENVELOPE INDICATED ON THIS DRAWING.
 - FORK / FRAME CLEARANCE. WORST CASE KNOBS CONFIGURATION AND POSITION SHOWN.
 - 320±5 mm STEER TUBE OPTION AVAILABLE PER REQUEST.
 - MEASURED WITH DROPOUTS CONSTRAINED AT EXACTLY 100mm APART.
 - 3D REPRESENTATION FILES (*.IGS AND *.STP) AVAILABLE PER REQUEST.
 - POST TYPE BRAKE CALIPER MOUNT FOR 160MM ROTOR DIA., MAX ROTOR DIA. = 165MM.



ALL DIMENSIONS ARE mm

THIRD ANGLE PROJECTION

MASS (g)

MATERIAL

GEOMETRIC DIMENSIONING AND TOLERANCING TO BE INTERPRETED PER ANSI Y14.5M 1994.

• INDICATES THE DIMENSION IS CRITICAL TO THE FORM, FIT OR FUNCTION OF THE PART OR PRODUCT

UNTOLERANCED LENGTH DIMENSIONS (mm)	TOLERANCE
from 0.5 up to 6	± 0.1
over 6 up to 30	± 0.2
over 30 up to 120	± 0.3
over 120 up to 400	± 0.5
UNTOLERANCED ANGLE DIMENSIONS	± 5

DESIGNED BY: NJ CHEN	FORMAT: A2	SCALE: ~3:10	SHEET: 1 / 1
LIFECYCLE STATUS	Under Review		
DRAWING NAME / DESCRIPTION	USER SPEC., ROCKSHOX, XC28 TK		
DRAWING NUMBER	98-4015-025-010	VERSION	A.2

SRAM
CONFIDENTIAL - THIS DRAWING CONTAINS INFORMATION THAT IS PROPRIETARY TO SRAM CORPORATION AND MAY NOT BE DISCLOSED WITHOUT PERMISSION.