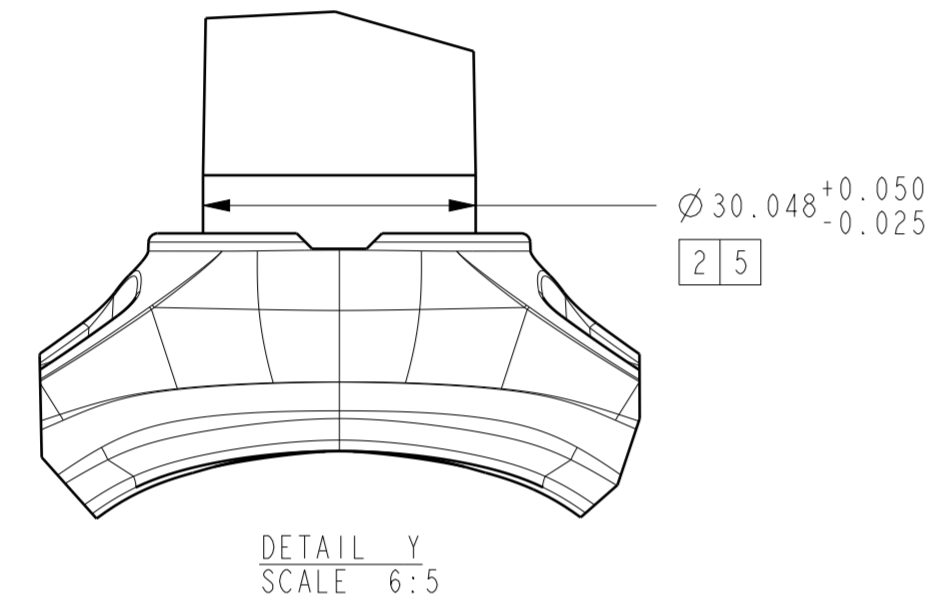
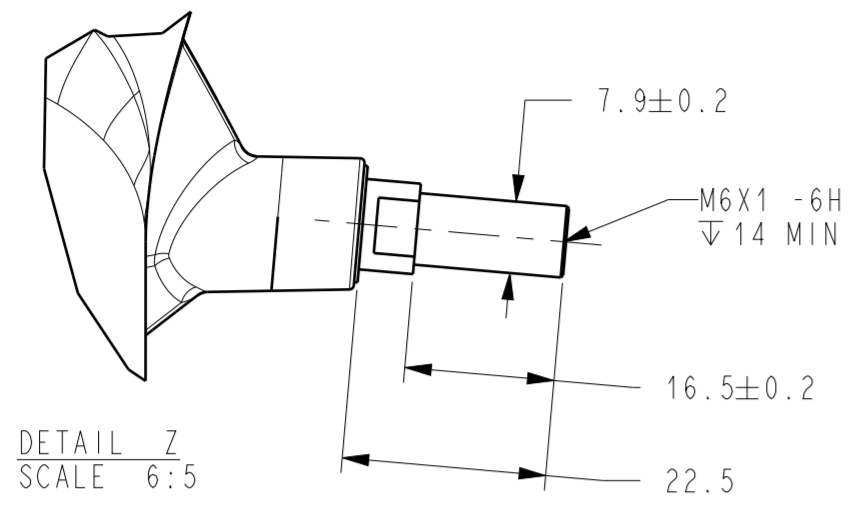


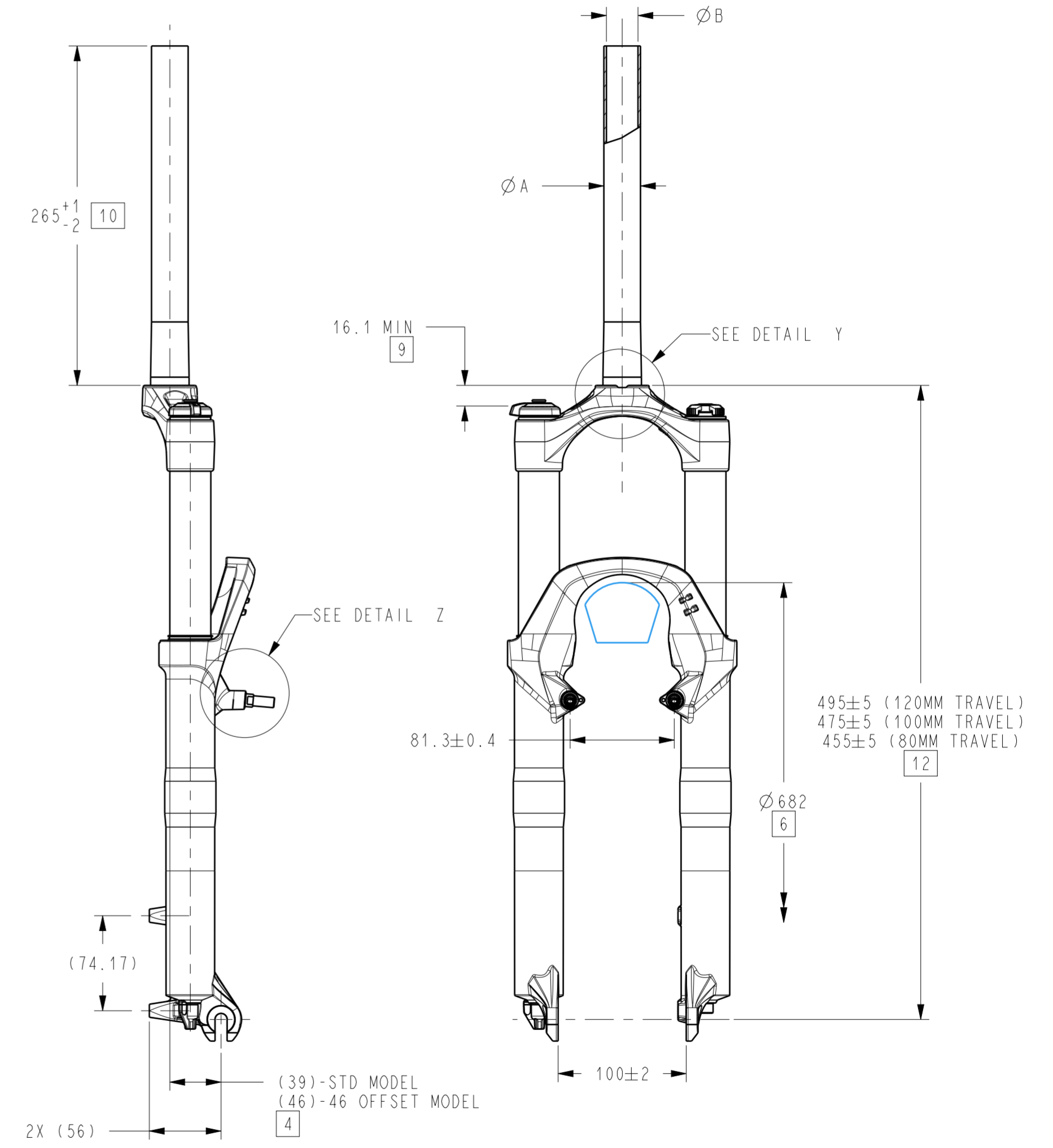
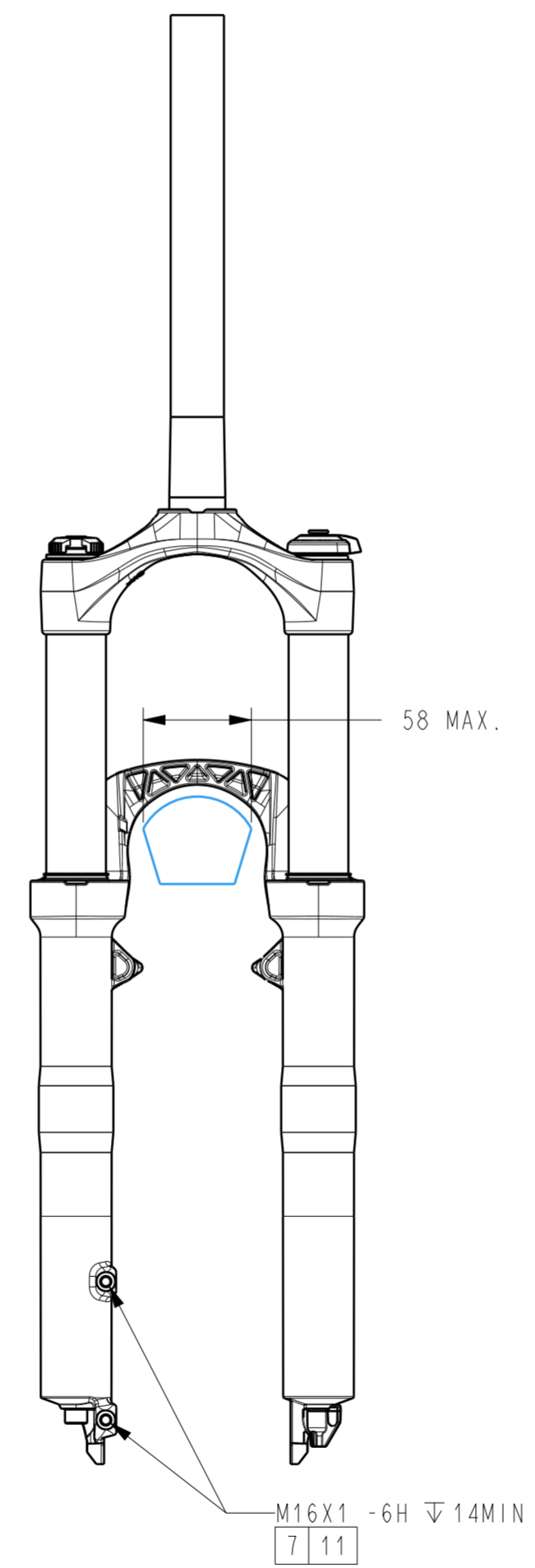
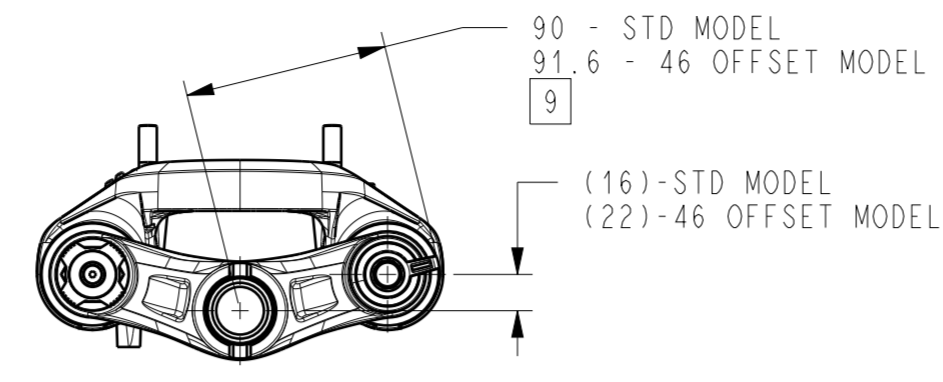
REV	REVISION RECORD
A	



-STEER TUBE DETAILS-		
STEER TUBE TYPE	$\varnothing A$ mm	$\varnothing B$ mm
ALUMINUM, THREADLESS	$\varnothing 28.58 \pm 0.06$	$\varnothing 24.64 \pm 0.13$
STEEL, THREADLESS	$\varnothing 28.6 \pm 0.06$	$\varnothing 25.4 + 0.15 / - 0.05$

NOTES: (UNLESS OTHERWISE SPECIFIED)

- DRAWING NOT TO SCALE, GENERAL SHAPE FOR DIMENSIONAL REFERENCE ONLY. SRAM RESERVES THE RIGHT TO CHANGE SPECIFICATIONS WITHOUT PRIOR NOTICE.
- CROWN RACE TO BE MEASURED AS AVERAGE \varnothing ; 3 DIAMETRIC POINTS MIN.
- REFERENCE DIMENSIONS, NOTED WITH PARENTHESIS "()" ARE FOR CUSTOMER DESIGN INFORMATION ONLY.
- DIMENSION IS PERPENDICULAR OFFSET FROM STEERER TUBE AXIS TO DROP OUT CENTER (FORK OFFSET DIMENSION).
- HEADSET CUP INSIDE DIAMETER MUST NOT BE LESS THAN STEERER TUBE DIAMETER + 0.3MM.
- IMPORTANT: CUSTOMER IS RESPONSIBLE FOR ENSURING MINIMUM REQUIRED TIRE CLEARANCE PER ASTM F 08.10-02S, SEE SECTION 6.1.1.2. (17JAN03 DRAFT)
- POST TYPE BRAKE CALIPER MOUNT, DIRECT FOR 160MM ROTOR DIA. MAX ROTOR DIA = 215MM.
- 3D REPRESENTATION FILES (IGS & STP) AVAILABLE UPON REQUEST.
- FORK / FRAME CLEARANCE (WORST CASE)
- 320±5 mm STEER TUBE OPTION AVAILABLE PER REQUEST.
- MAXIMUM RECOMMENDED BRAKE CALIPER BOLT TORQUE=10.2N·M (90IN·LB).
- CROWN RACE TO AXLE DISTANCE SHOWN BASED ON MEDIUM SPRING, MIN PRELOAD.



ALL DIMENSIONS ARE mm THIRD ANGLE PROJECTION MASS (g) MATERIAL	GEOMETRIC DIMENSIONING AND TOLERANCING TO BE INTERPRETED PER ANSI Y14.5M 1994. • INDICATES THE DIMENSION IS CRITICAL TO THE FORM, FIT OR FUNCTION OF THE PART OR PRODUCT. UNTOLERANCED LENGTH DIMENSIONS (mm) LENGTH DIMENSIONS TOLERANCE from 0.5 up to 6 ± 0.1 over 6 up to 30 ± 0.2 over 30 up to 120 ± 0.3 over 120 up to 400 ± 0.5 UNTOLERANCED ANGLE DIMENSIONS ± 5	DESIGNED BY: SANDY CHENG	FORMAT: A2	SCALE: 3:10	SHEET: 1 / 1
		LIFECYCLE STATUS In Work	SRAM CONFIDENTIAL - THIS DRAWING CONTAINS INFORMATION THAT IS PROPRIETARY TO SRAM CORPORATION AND MAY NOT BE DISCLOSED WITHOUT PERMISSION.		
		DRAWING NAME / DESCRIPTION USER SPEC. ROCKSHOX. XC32. TK			
		DRAWING NUMBER 98-4015-023-000		VERSION A.1	