

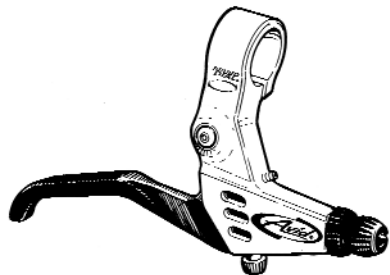


# SPEED DIAL®

## INSTALLATION

### AND

## OPERATION INSTRUCTIONS



These instructions apply to the Speed Dial 5, 7, and Ti brake levers.

## LEVER INSTALLATION

### IMPORTANT!

Only brakes designated for direct-pull levers such as the Single Digit® Ultimate, Single Digit® Ti, 7, 5 and 3 brakes can be used with Avid levers. If you have any questions concerning compatibility of levers and brakes, contact your professional bike dealer.

Follow these instructions carefully. If you do not understand the instructions, have the installation done by a professional bike mechanic.



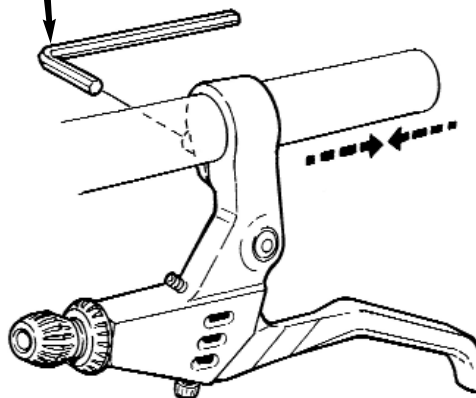
**Installation Tools Needed:**  
2mm and 5mm hex wrenches, torque wrench and cable cutters.

1

### INSTALL THE LEVER

Slide the lever onto the bar to the proper position. Tighten the clamp bolt.

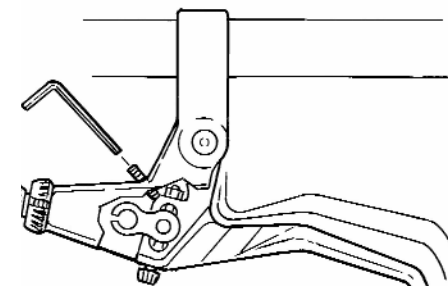
Tighten Clamp Bolt to:  
5 - 7 Nm (40 - 60 in lb)



2

### SET THE REACH

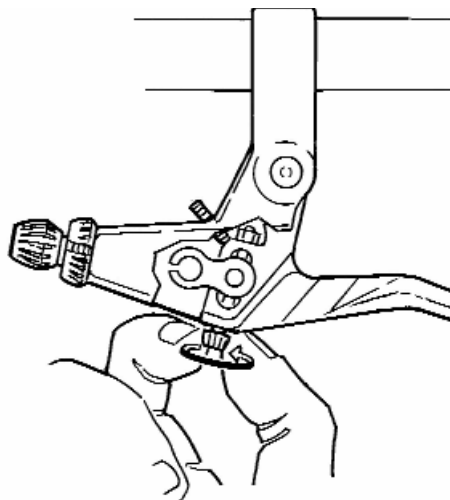
If you have smaller hands, you can adjust the reach of the lever by adjusting the reach adjustment screw.



3

### SET SPEED DIAL

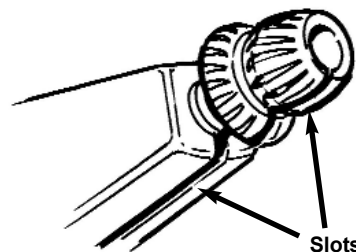
Before setting the brake cable length, turn the Speed Dial adjusting thumbscrew so it is in the **middle of the range**. After installation, adjust the knob for the exact brake feel that you want.



4

### SET ADJUSTER BARREL

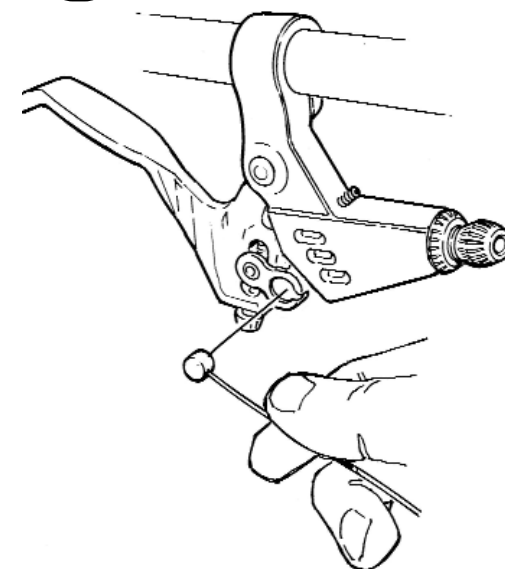
Before installing the cable, adjust the barrel adjuster about half way out. Make sure that the barrel slot lines up with the slot in the body.



5

### INSTALL CABLE

Feed the cable through the housing to the brake and install the cable end into the link.



### IMPORTANT

Brakes are a safety-critical item on a bicycle. Improper set-up or use of brakes can result in loss of control or an accident, which could lead to a severe injury.

It's your responsibility to learn and understand proper braking techniques. Consult the owner's manual for your bicycle and a professional bike dealer. Practice your riding and braking techniques on a flat and level surface prior to aggressive riding.

The effectiveness of braking is dependent on many conditions over which Avid has no control including the speed of the bicycle, type and condition of the riding surface, braking lever force, proper installation and maintenance of brakes, cables, levers, brake pads, the condition of the bike, weight of the rider, proper braking techniques, weather, terrain, and a variety of other factors.

Avid brakes and levers are not intended for use on any motorized bicycle or vehicle. Any such use could result in a serious personal injury.

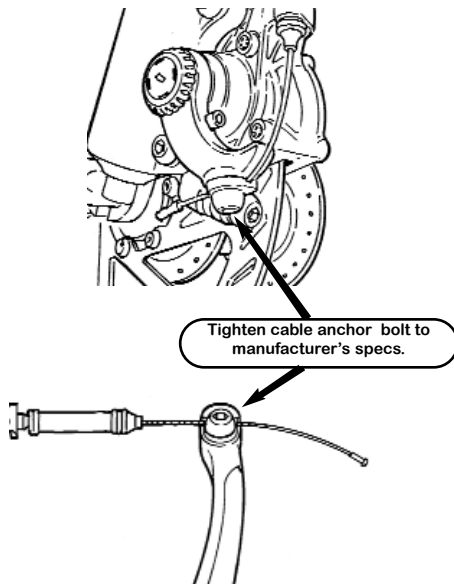
### ALWAYS RIDE UNDER CONTROL.

Remember, it takes longer to stop in wet conditions. To reduce the possibility of an accident and minimize trail erosion, you should avoid locking-up your wheels.

6

**ATTACH CABLE TO BRAKE**

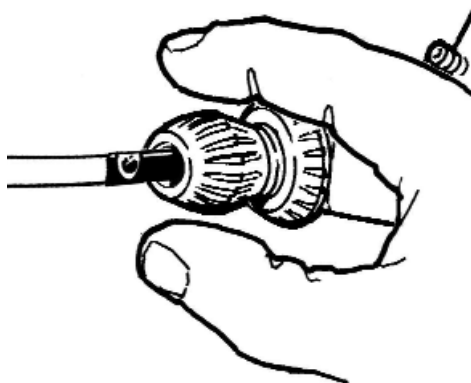
Follow the installation instructions for your specific brake. Refer to these instructions for torque specifications and brake setup.



7

**ADJUST BARREL**

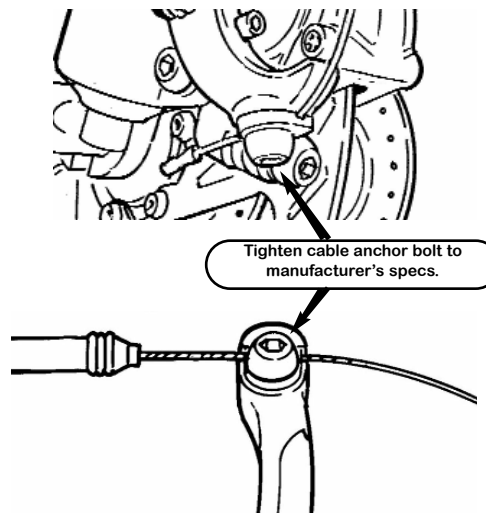
Use the barrel adjuster to take up any slack in the cable.



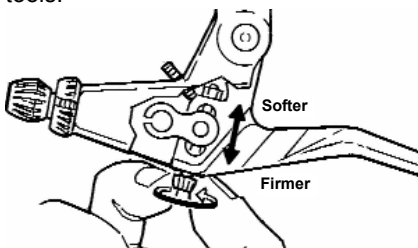
8

**TEST THE SYSTEM**

With two fingers, squeeze the brake lever firmly about a dozen times to ensure the cables are seated properly and operate smoothly. Make sure the cable has not slipped at the cable anchor bolt. Re-torque if necessary.

**Speed Dial®**

The primary feature that sets these levers apart is the patented Speed Dial Adjustable Leverage function. This design allows you to dial in whatever feel you want, from a soft feel (greater modulation) to a firmer feel, or anywhere in between. This adjustment can be done without any tools.



Other benefits of Speed Dial include matching the feel of the front and rear brakes, especially if the arm lengths or brake boss heights differ.

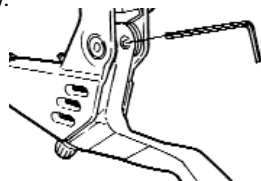
**Tech Tips/Maintenance**

1. If you use lighter spring tension at the brake, you will use less hand energy when operating the brake lever. Lighter spring tension will also keep the brakes better centered.

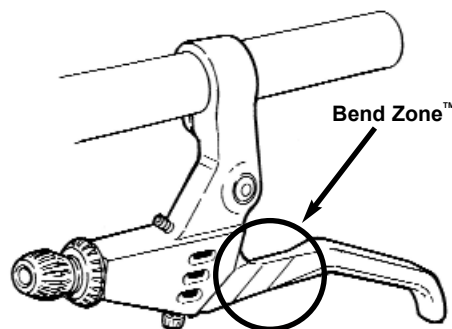
2. To keep your levers creak-free and operating smoothly, place a drop of light-weight oil on both sides of the cable link at the cross dowel.



3. Loose lever blade? Use a 2mm hex wrench to check the pivot pin set screw.

**Crash Replacement**

Did you know that Avid offers a crash replacement program? You see, our lever blades have a Bend Zone™.



This design allows the blade to bend without damaging the body. So, if you crash, you can finish your ride, replace the blade, and get on with your life at a reasonable price. Contact your local bike shop for details.

**LIMITED WARRANTY**

Avid, LLC (Avid) warrants to the original consumer purchaser of every Avid product that the product shall be free from defects in workmanship and materials for a period of one (1) year from the original date of purchase. The sole remedy under this warranty is limited to, at Avid's sole discretion, repair or replacement of the defective product. Labor and shipping costs are excluded from this warranty. This warranty only applies to the original consumer purchaser and is not transferable.

**THIS WARRANTY DOES NOT COVER** normal wear and tear (including, without limitation, brake pad wear), or defects or failures that are related in any way to improper installation or follow-up maintenance, accident, abuse or neglect (including, without limitation, thread damage). Since Avid has no control over the product's final use, Avid also does not warrant the suitability of the product for specific riders and/or uses.

**IN NO EVENT SHALL AVID BE RESPONSIBLE FOR INCIDENTAL OR CONSEQUENTIAL DAMAGES, WHETHER BASED ON CONTRACT, WARRANTY, NEGLIGENCE, OR STRICT OR PRODUCTS LIABILITY, INCLUDING WITHOUT LIMITATION, PERSONAL INJURY DAMAGES, PROPERTY DAMAGE OR ECONOMIC LOSSES.** Some states do not allow the exclusion or limitation of incidental or consequential damages, so the above limitation or exclusion may not apply to you.

**AVID MAKES NO OTHER EXPRESS WARRANTIES. ALL IMPLIED WARRANTIES, INCLUDING ANY WARRANTIES OF MERCHANTABILITY OR FITNESS FOR A PARTICULAR PURPOSE, ARE EXPRESSLY LIMITED TO THE ONE (1) YEAR DURATION OF THIS WARRANTY.** Some states do not allow limitations on how long an implied warranty lasts, so the above limitation may not apply to you.

Claims under this warranty may be initiated with any Avid dealer. If this is not practical, you may contact Avid in writing at the address listed below. Dated proof of purchase must accompany all warranty claims.

This warranty gives you specific legal rights, and you may also have other rights which vary from state to state.