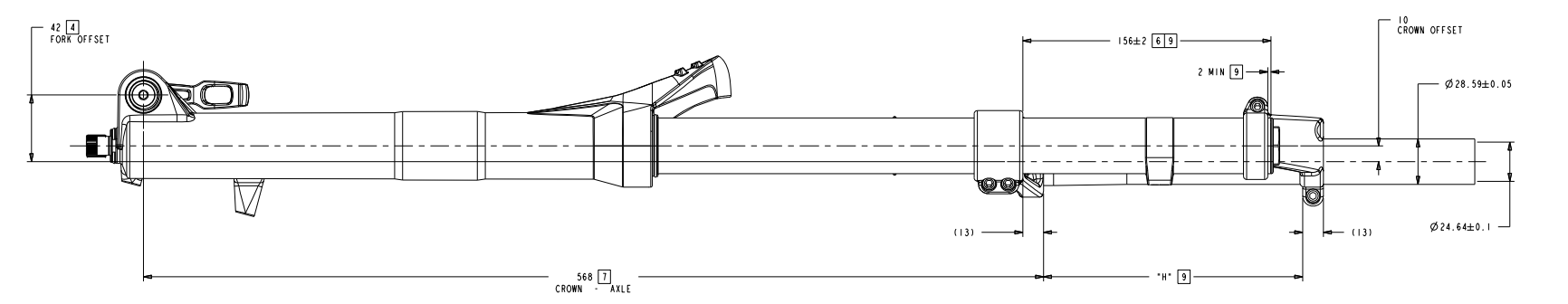
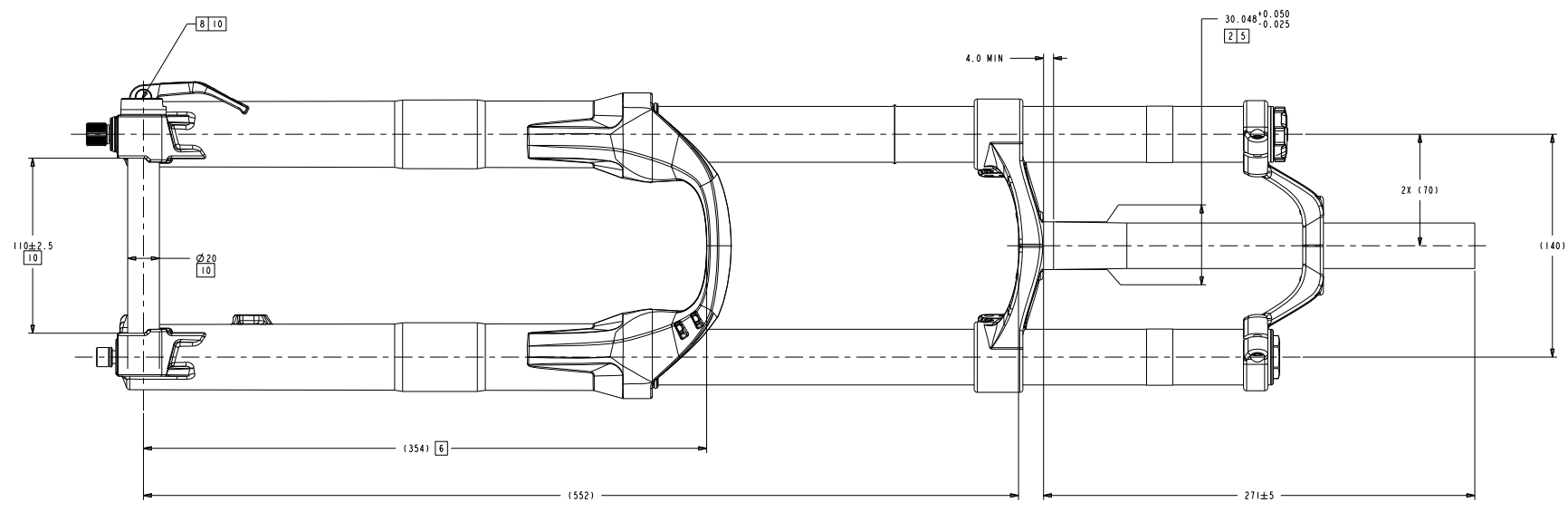


REV	18	19	20
	REVISION RECORD		
A	ECN 3007672 RELEASE		
B	ECN 3007890 ADD DIMENSIONS TO ALL DRAWINGS VIEWS		
C	ECN 3008359 CHANGE: 568 *5/-3 WAS 568 (M-B)		



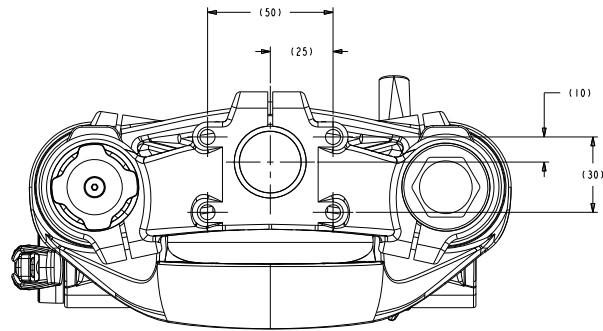
DDC CROWN	"H" ±2
UPPER SHORT	≤ 148
LOWER TALL	≤ 168

DESIGNED BY: C DEWITT
 FORMER: A1
 SCALE: 1:1
 SHEET: 1 / 2

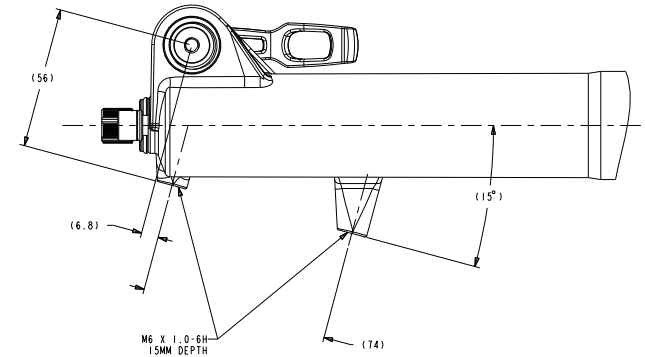
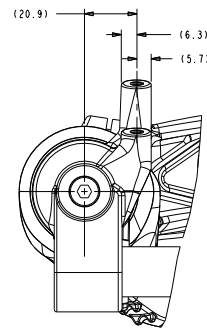
ALL DIMENSIONS ARE IN mm
 UNLESS OTHERWISE SPECIFIED
 DIMENSIONS ARE TO BE INTERPRETED PER ASST 19.20 1996
 THIRD ANGLE PROJECTION
 UNLESS OTHERWISE SPECIFIED

LIFECYCLE STATUS
 Released
 CONFIDENTIAL - THIS DRAWING CONTAINS INFORMATION THAT IS PROPRIETARY TO SHAW CORP. AND MAY NOT BE DISCLOSED WITHOUT PERMISSION.

USER SPECIFICATION, MY11 DDC
 98-4015-012-000
 C.3



DIRECT MOUNT STEM BOLT PATTERN



NOTES: (UNLESS OTHERWISE SPECIFIED)

1. DRAWING NOT TO SCALE, GENERAL SHAPE FOR DIMENSIONAL REFERENCE ONLY. DDC RC MODEL SHOWN. SRAM RESERVES THE RIGHT TO CHANGE SPECIFICATIONS WITHOUT PRIOR NOTICE.
2. CROWN RACE TO BE MEASURED AS AVERAGE DIAMETER; 3 DIAMETRIC POINTS MIN.
3. REFERENCE DIMENSIONS, NOTED WITH PARENTESISIS "()" ARE FOR CUSTOMER DESIGN INFORMATION ONLY.
4. DIMENSION IS PERPENDICULAR OFFSET FROM STEERER TUBE AXIS TO FORK DROP-OUT (FORK OFFSET DIMENSION).
5. HEADSET CUP INSIDE DIAMETER MUST NOT BE LESS THAN STEERER TUBE DIAMETER +0.30 MM.
6. IMPORTANT: CUSTOMER IS RESPONSIBLE FOR ENSURING MINIMUM REQUIRED TIRE CLEARANCE PER ASTM F 08.10-02S, SEE SECTION 6.1.12. (17JAN03 DRAFT).
7. FORK GEOMETRY BASED ON 200MM TRAVEL.
8. IMPORTANT: CUSTOMER IS RESPONSIBLE FOR ENSURING THAT ROCKSHOX MAXLE SYSTEM IS USED PER SRAM'S OPERATING INSTRUCTIONS (SEE USER MANUAL).
9. HEIGHT LOCATION OF UPPER CROWN IS ADJUSTABLE. VARIATION ALLOWS CROWN TO FIT HEAD TUBES OF DIFFERING LENGTHS. LOWER CROWN IS SET TO 156MM FROM TOP OF UPPER TUBE AND IS ASSUMED FIXED. SHORT DDC CROWN SHOWN.
10. MAXIMUM COMPATIBLE HUB OUTER SHOULDER DIA. $\varnothing 25.0$ MM
REQUIRED HUB THRU AXLE HOLE DIAMETER IS $\varnothing 20.05$ MM MIN.

DESIGNED BY: C DEWITT	SCALE: AS	SHEET: 2 of 2
FORMER: AT	SRAM	
LIFECYCLE STATUS	CONFIDENTIAL - THIS DRAWING CONTAINS INFORMATION THAT IS PROPRIETARY TO SRAM CORPORATION AND MAY NOT BE DISCLOSED WITHOUT PERMISSION.	
Released		
DESIGN NAME / DESCRIPTION	USER SPECIFICATION, MY11 DDC	
DRAWING NUMBER	98-4015-012-000	VERSION
		C.3